



US00D329486S

United States Patent [19]
Park

[11] **Patent Number: Des. 329,486**
[45] **Date of Patent: ** Sep. 15, 1992**

- [54] **FLOAT FOR ROPES AND THE LIKE**
- [76] **Inventor: David E. Park, 426 Bon-Aire Ave.,
New Castle, Pa. 16105**
- [**] **Term: 14 Years**
- [21] **Appl. No.: 646,343**
- [22] **Filed: Jan. 28, 1991**
- [52] **U.S. Cl. D21/237; D21/236**
- [58] **Field of Search D21/237, 236; 441/133,
441/131, 130**

Primary Examiner—Kay H. Chin
Attorney, Agent, or Firm—Richard C. Litman

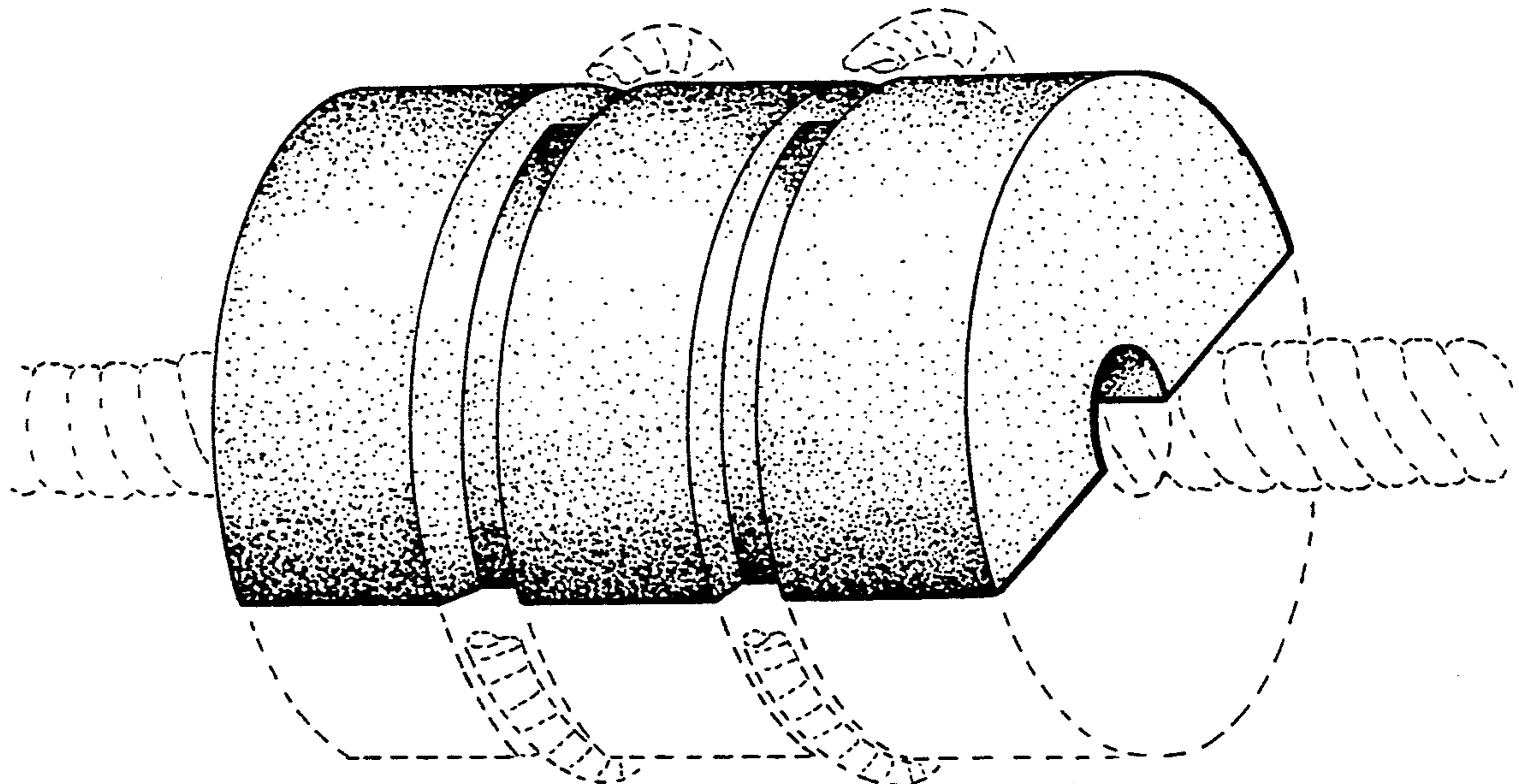
[57] **CLAIM**

the ornamental design for a float for ropes and the like,
as shown and described.

DESCRIPTION

FIG. 1 is a top and side perspective view of a float for ropes and the like showing my new design, the broken lines representing a complementary float, securing ties and rope form no part of the claimed design;
 FIG. 2 is a bottom plan view thereof;
 FIG. 3 is a top plan view thereof;
 FIG. 4 is an end elevational view thereof, the opposite end being identical in appearance; and,
 FIG. 5 is a side elevational view thereof, the opposite side view being a mirror image.

- [56] **References Cited**
- U.S. PATENT DOCUMENTS**
- 2,395,892 3/1946 Lontz 441/133
- 3,332,093 7/1967 Skinner et al. 441/133
- 4,386,919 6/1983 Kadono 441/133
- 4,985,007 1/1991 Ellis 441/133



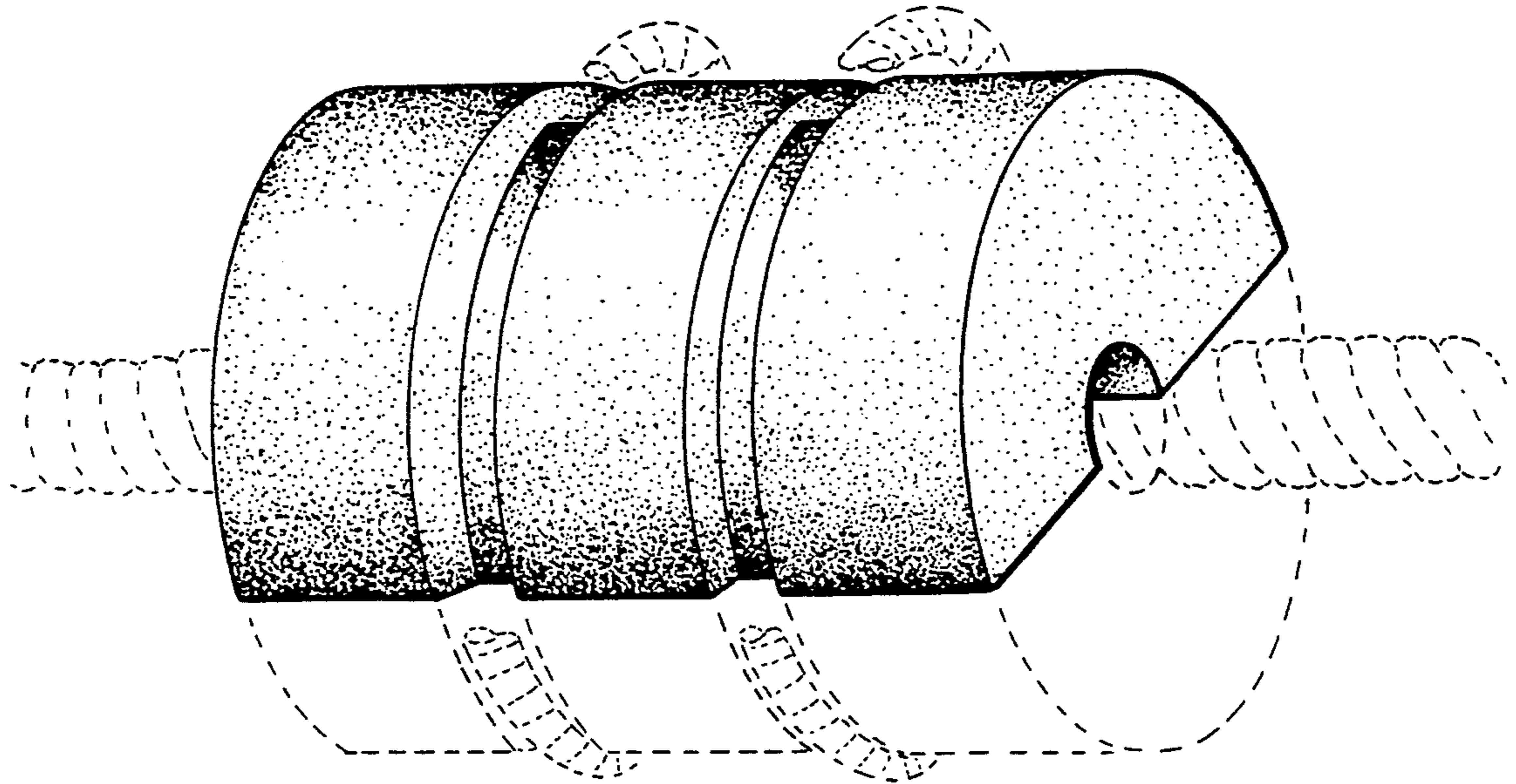


FIG. 1

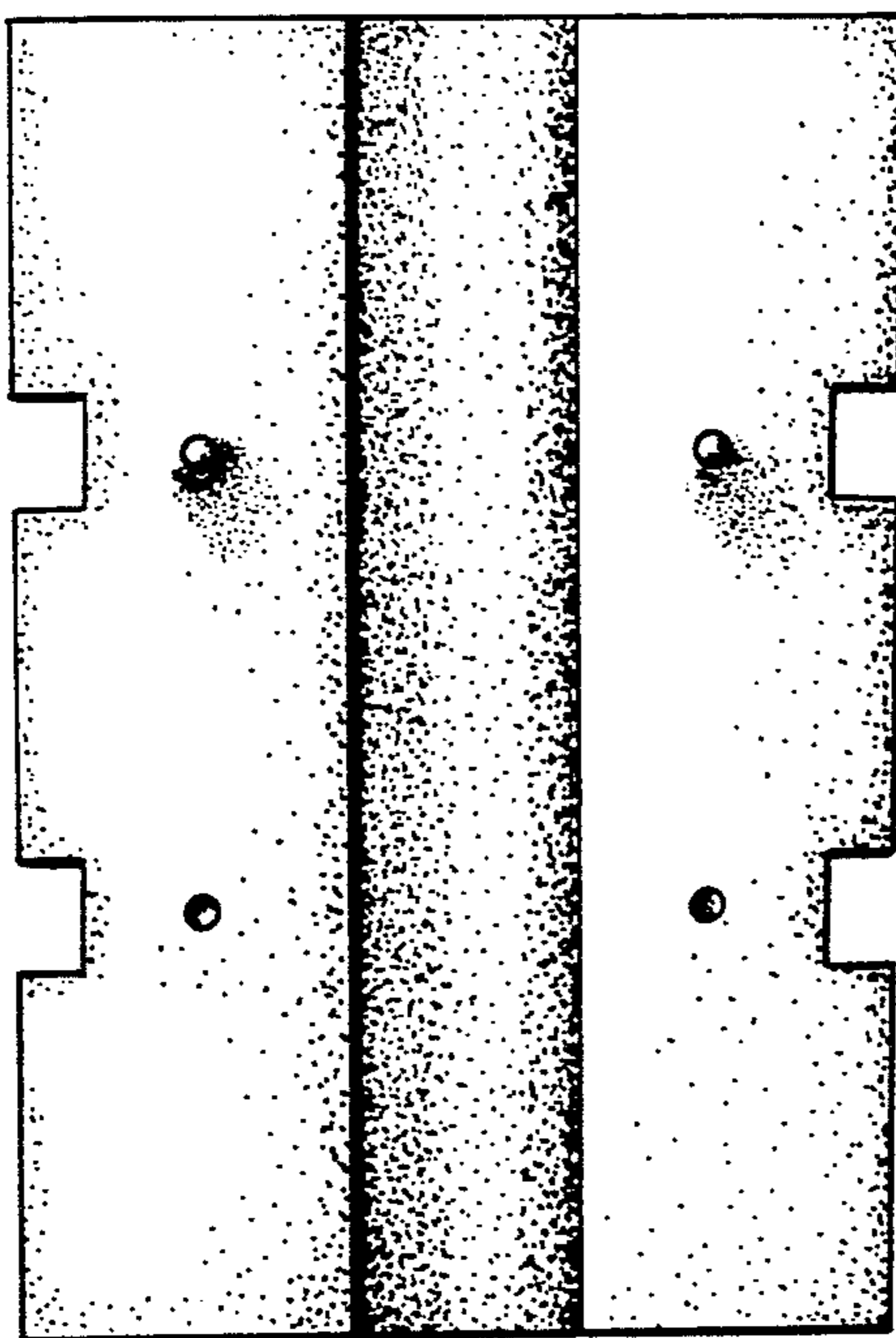


FIG. 2

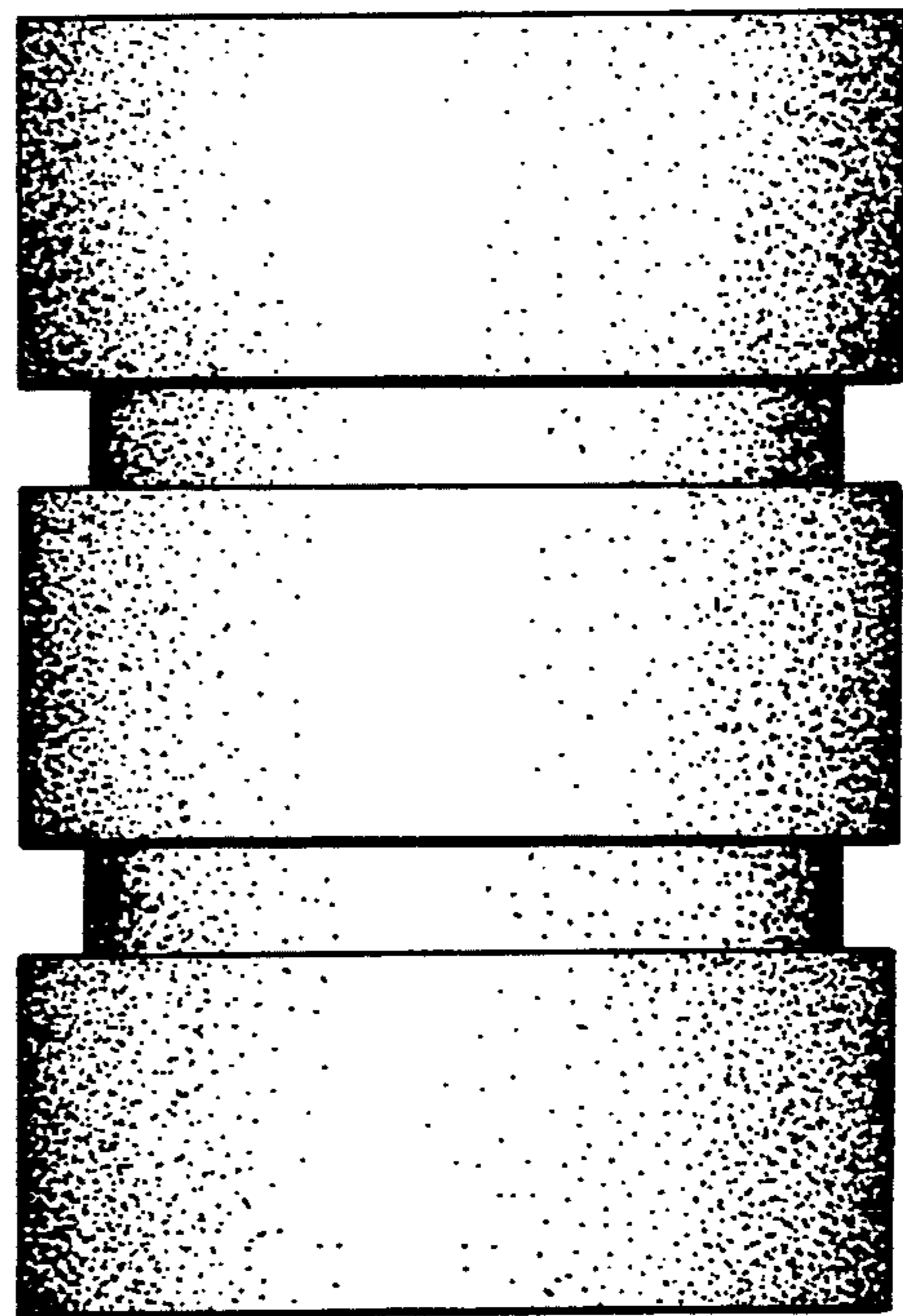


FIG. 3

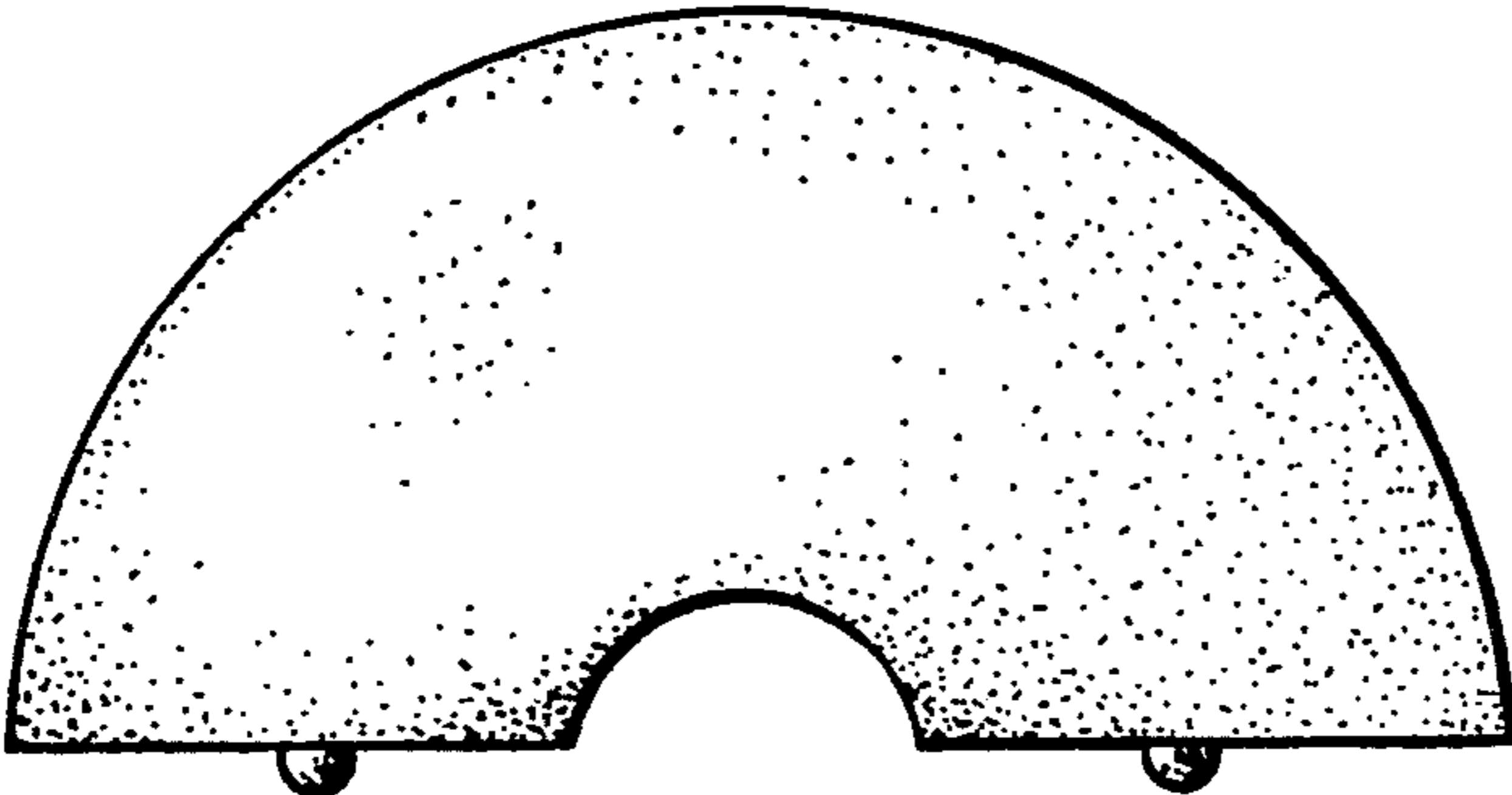


FIG. 4

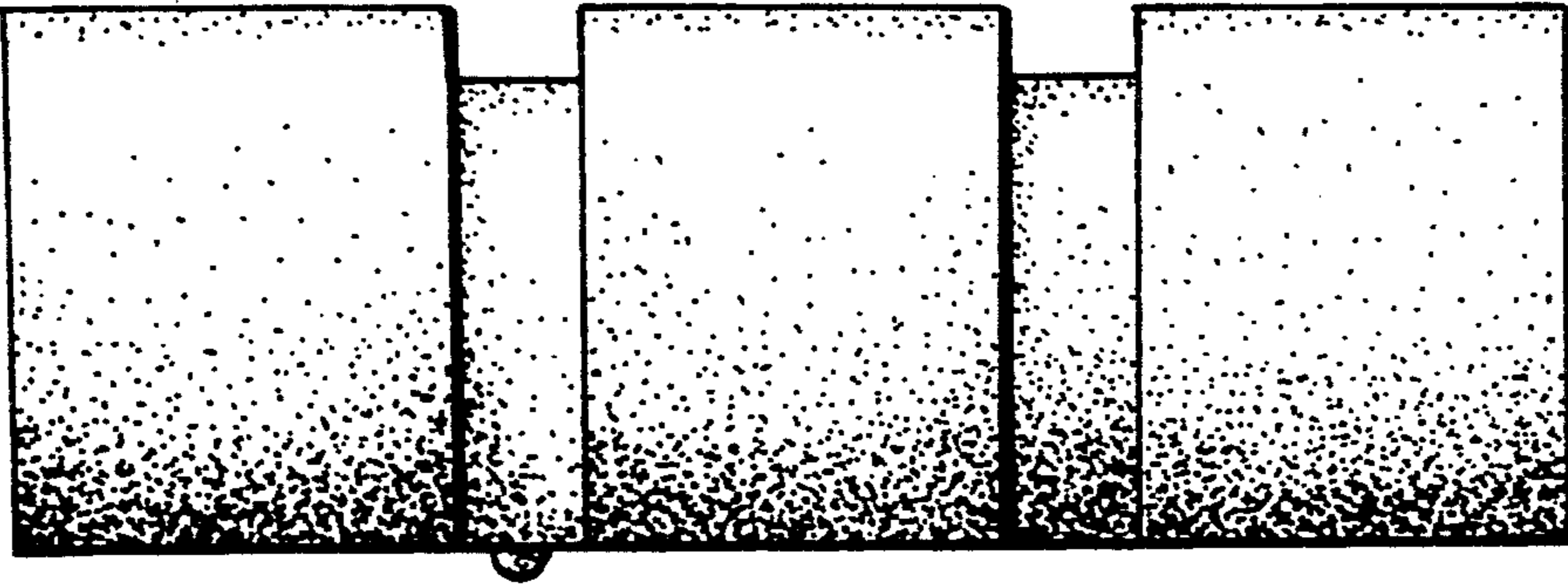


FIG. 5