



US00D329485S

# United States Patent [19]

[11] Patent Number: **Des. 329,485**

Hollinger

[45] Date of Patent: **\*\* Sep. 15, 1992**

[54] **GOLF BALL WASHER**

[75] Inventor: **Fred Hollinger, Kings Park, N.Y.**

[73] Assignee: **E & B Giftware, Inc., Mount Vernon, N.Y.**

[\*\*] Term: **14 Years**

[21] Appl. No.: **334,873**

[22] Filed: **Apr. 6, 1989**

[52] U.S. Cl. .... **D21/234; D4/124; D32/43**

[58] Field of Search ..... **D21/234; D3/100, 104; D4/124, 119; 15/21.2; D32/40, 43**

[56] **References Cited**

**U.S. PATENT DOCUMENTS**

- D. 150,218 7/1948 Fournier ..... D21/234
- D. 261,795 11/1981 Julsen ..... D3/100
- 3,006,009 10/1961 Hoffecker ..... 15/21.2

**FOREIGN PATENT DOCUMENTS**

- 187112 10/1922 United Kingdom ..... 15/21.2

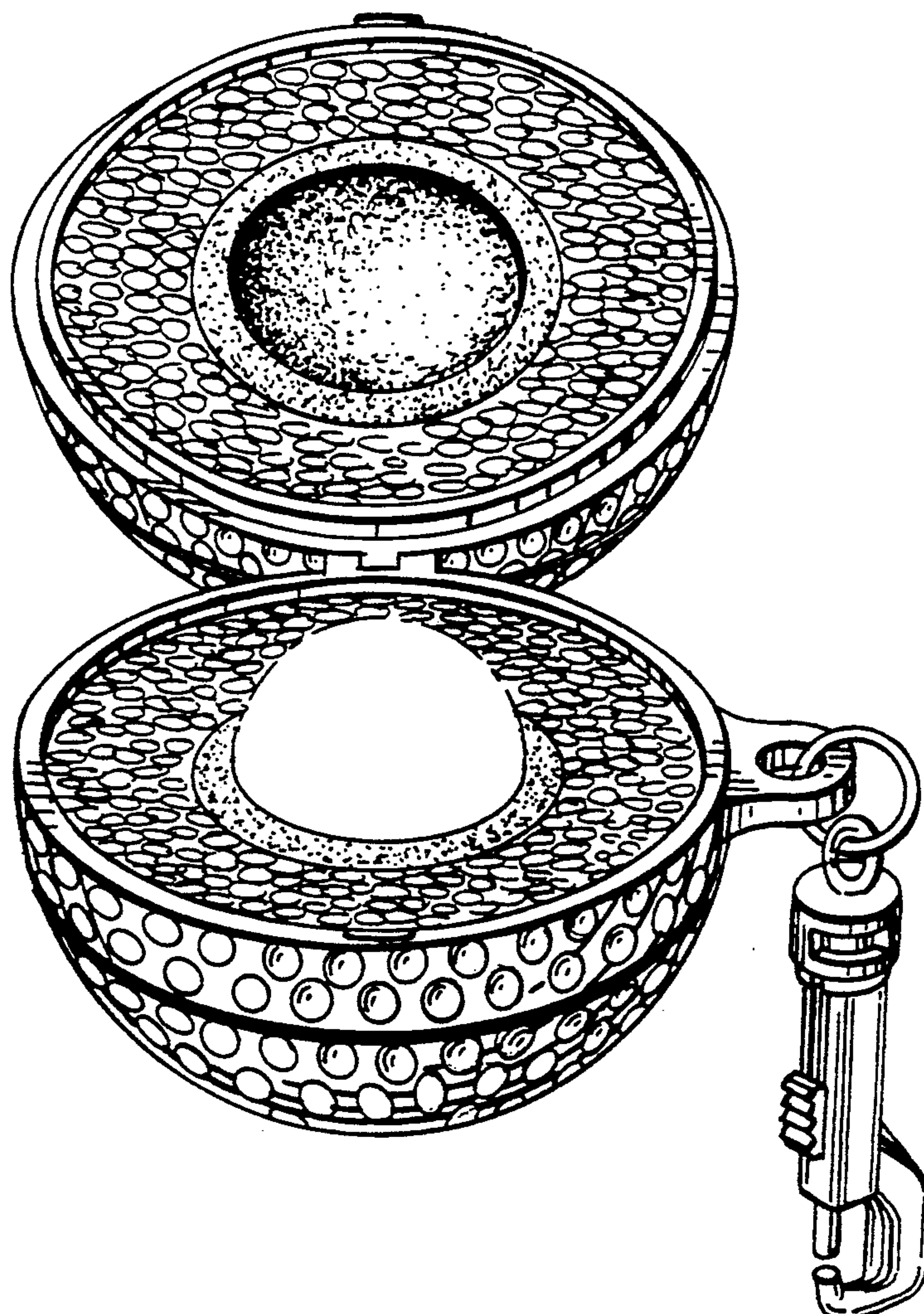
*Primary Examiner*—Melvin B. Feifer  
*Attorney, Agent, or Firm*—Gerard F. Dunne

[57] **CLAIM**

The ornamental design for a golf ball washer, as shown and described.

**DESCRIPTION**

FIG. 1 is a perspective view of a golf ball washer showing my new design in an open position with a broken line showing of a golf ball for illustrative purposes only; FIG. 2 is a side elevation thereof in closed position; FIG. 3 is a perspective view thereof in open position without a golf ball therein; FIG. 4 is a side view of FIG. 3; FIG. 5 is a the opposite side view of FIG. 4; FIG. 6 is a rear view of FIG. 3; FIG. 7 is a front view of FIG. 2; FIG. 8 is a rear view of FIG. 2; FIG. 9 is a side view looking from the left of FIG. 2; FIG. 10 is a side view looking from right of FIG. 2; FIG. 11 is a top plan view of FIG. 2; and, FIG. 12 is a bottom view of FIG. 2.



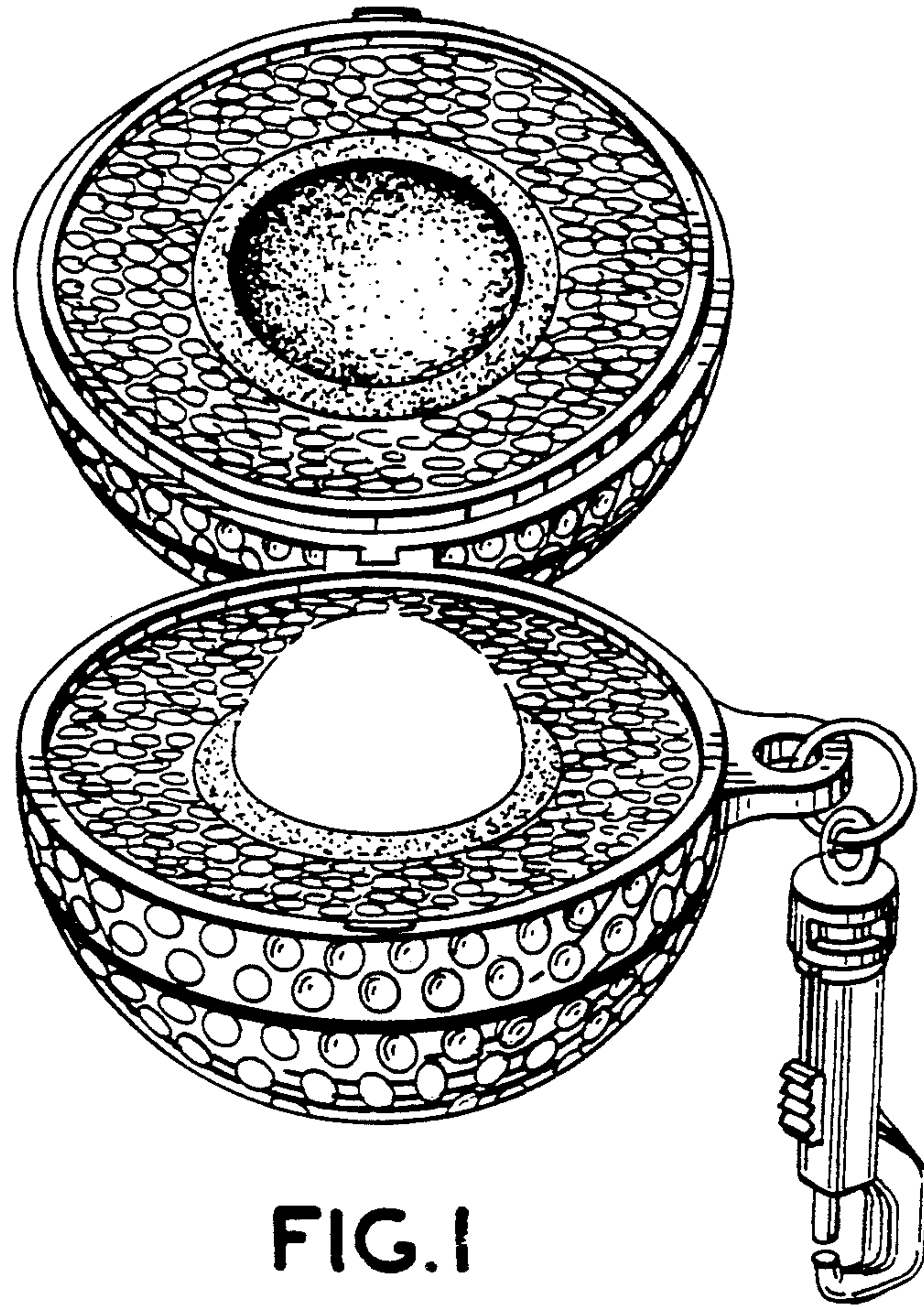


FIG. 1

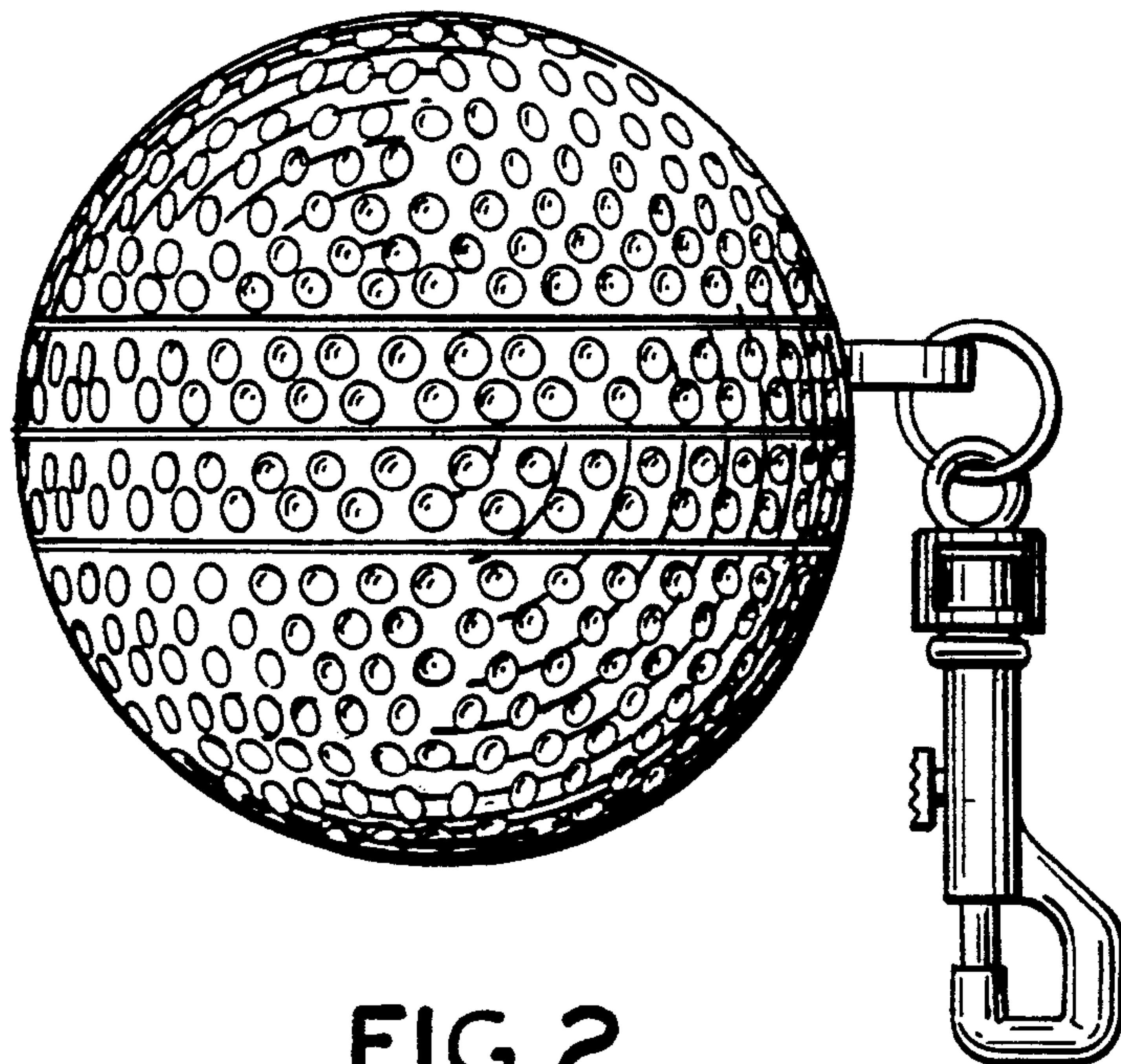


FIG. 2



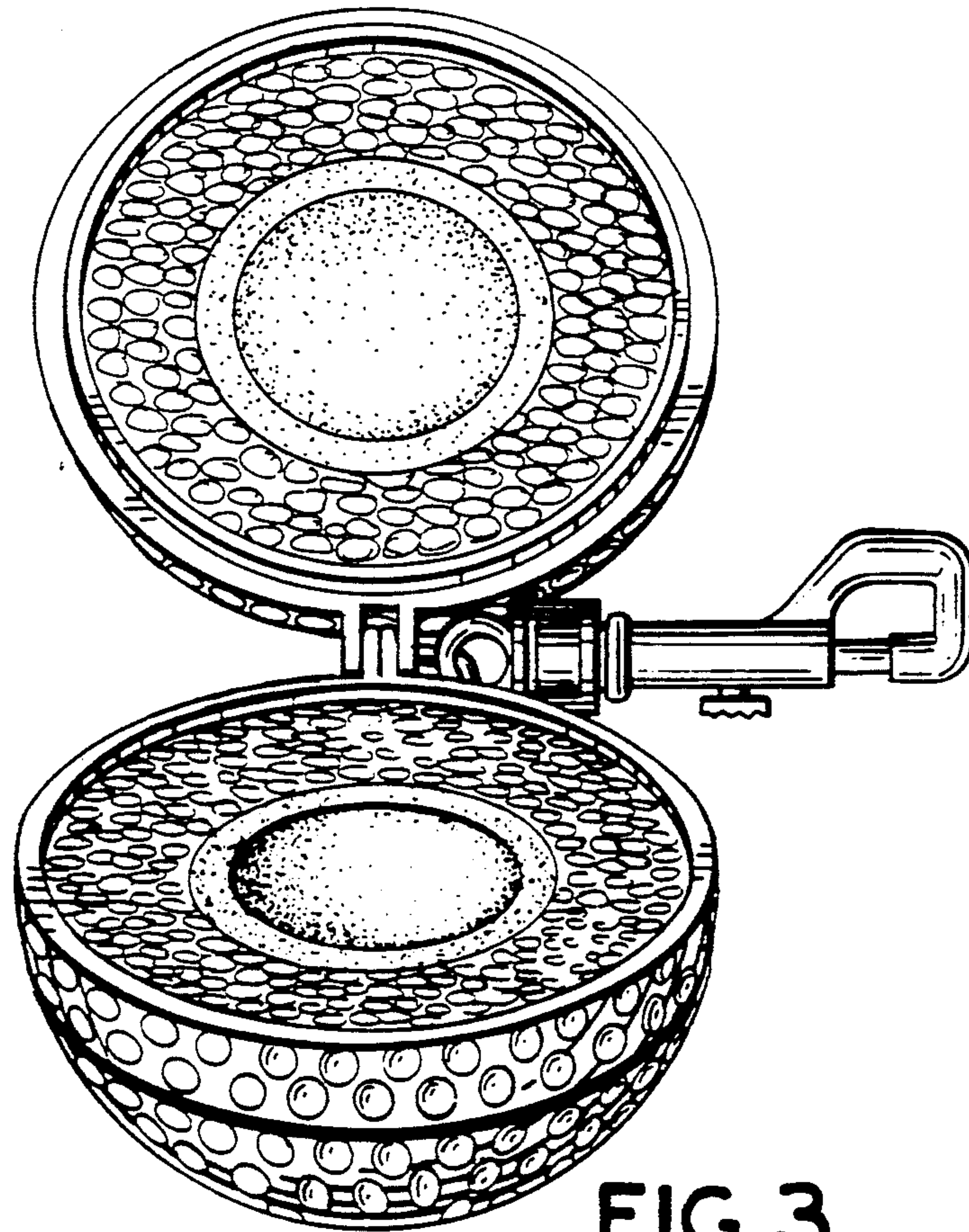


FIG. 3

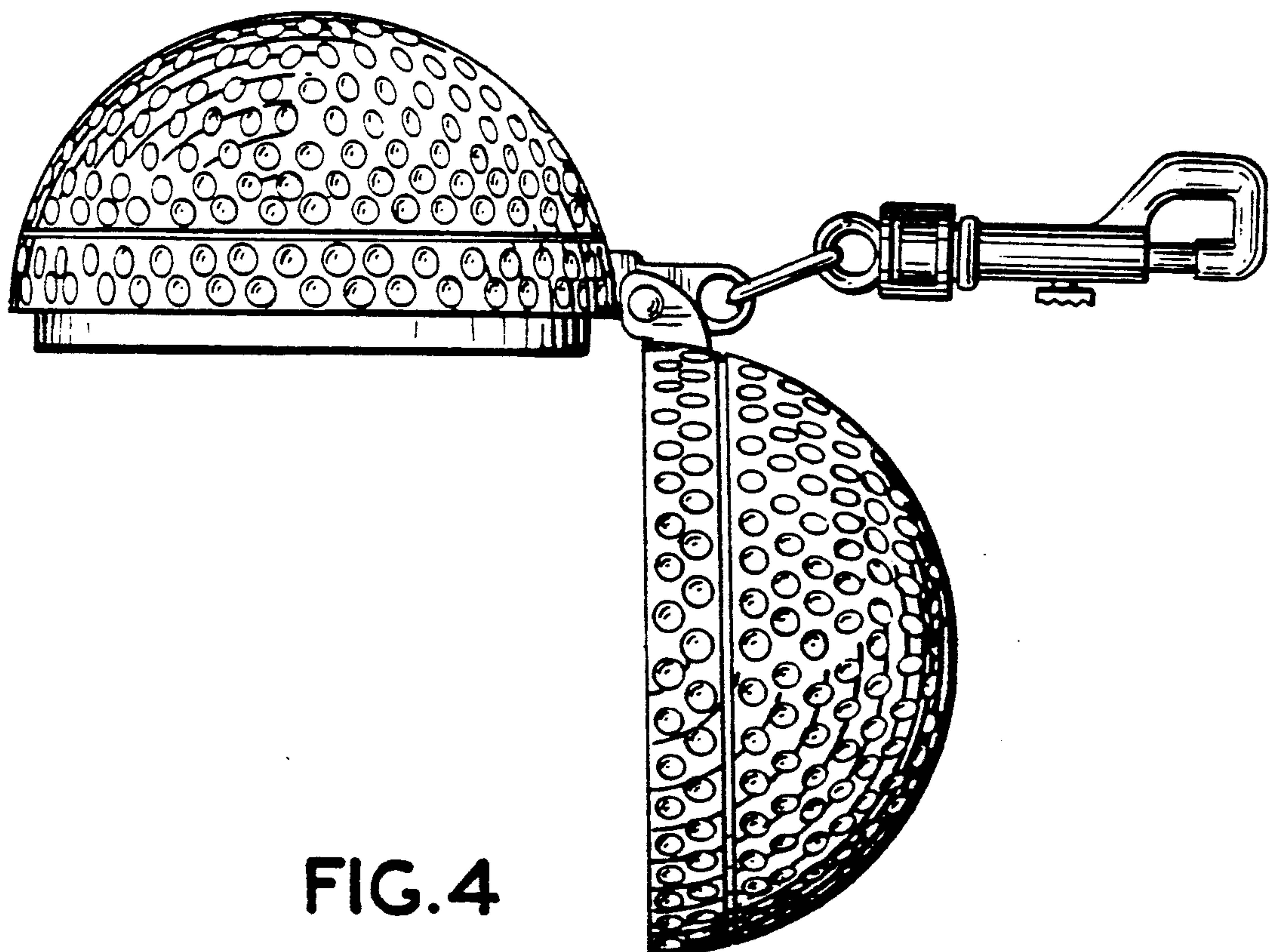


FIG. 4

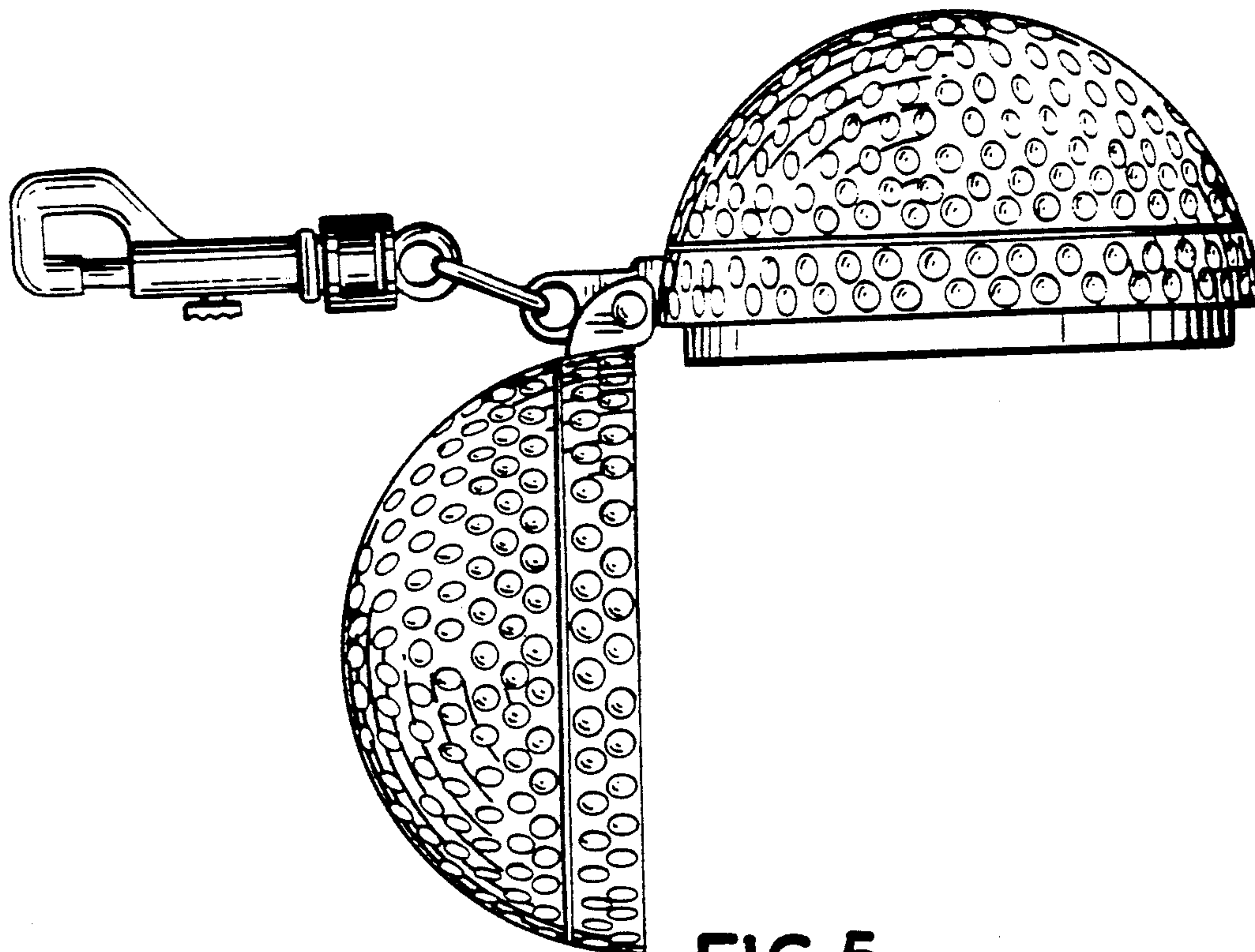


FIG. 5

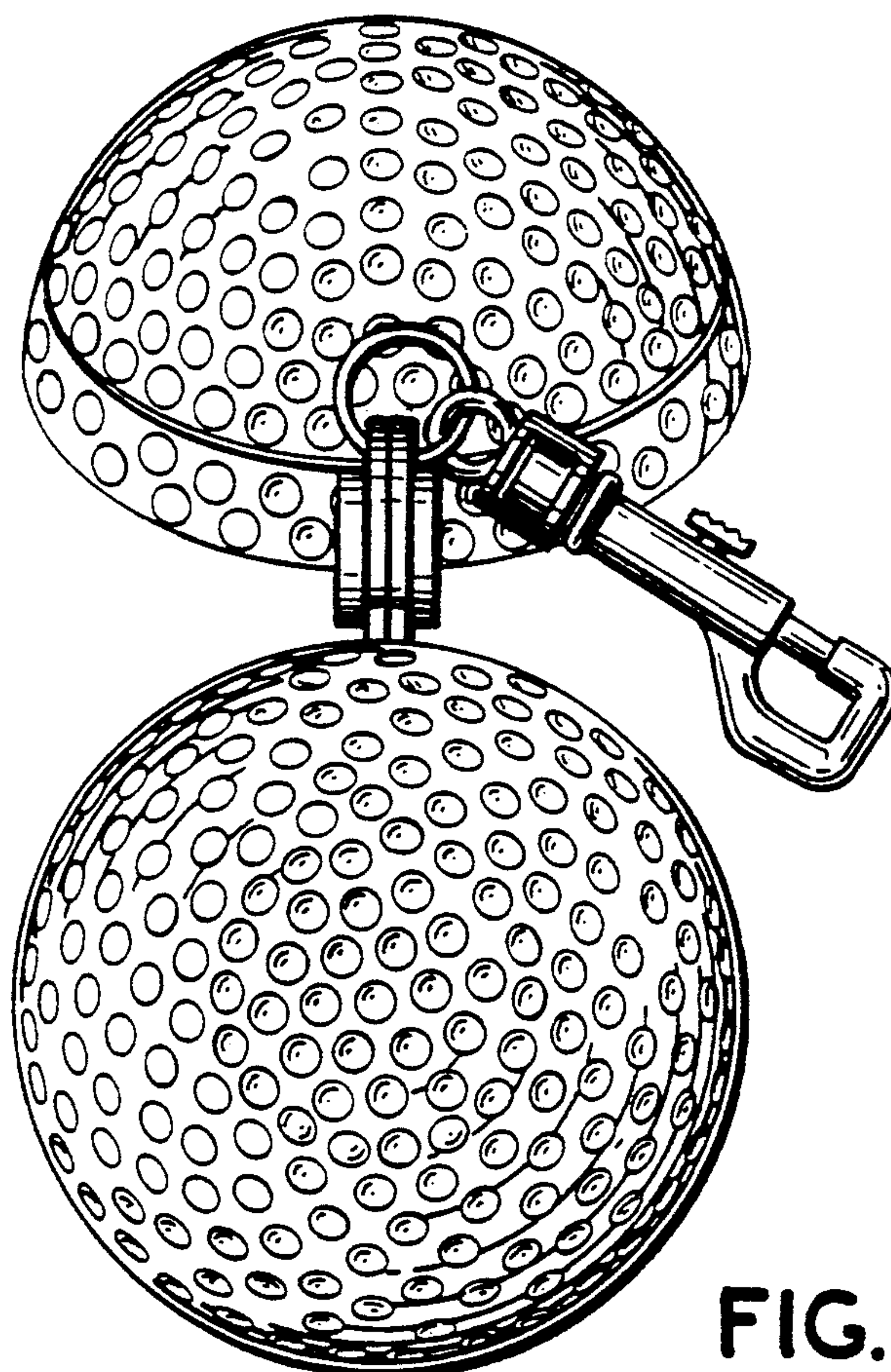


FIG. 6



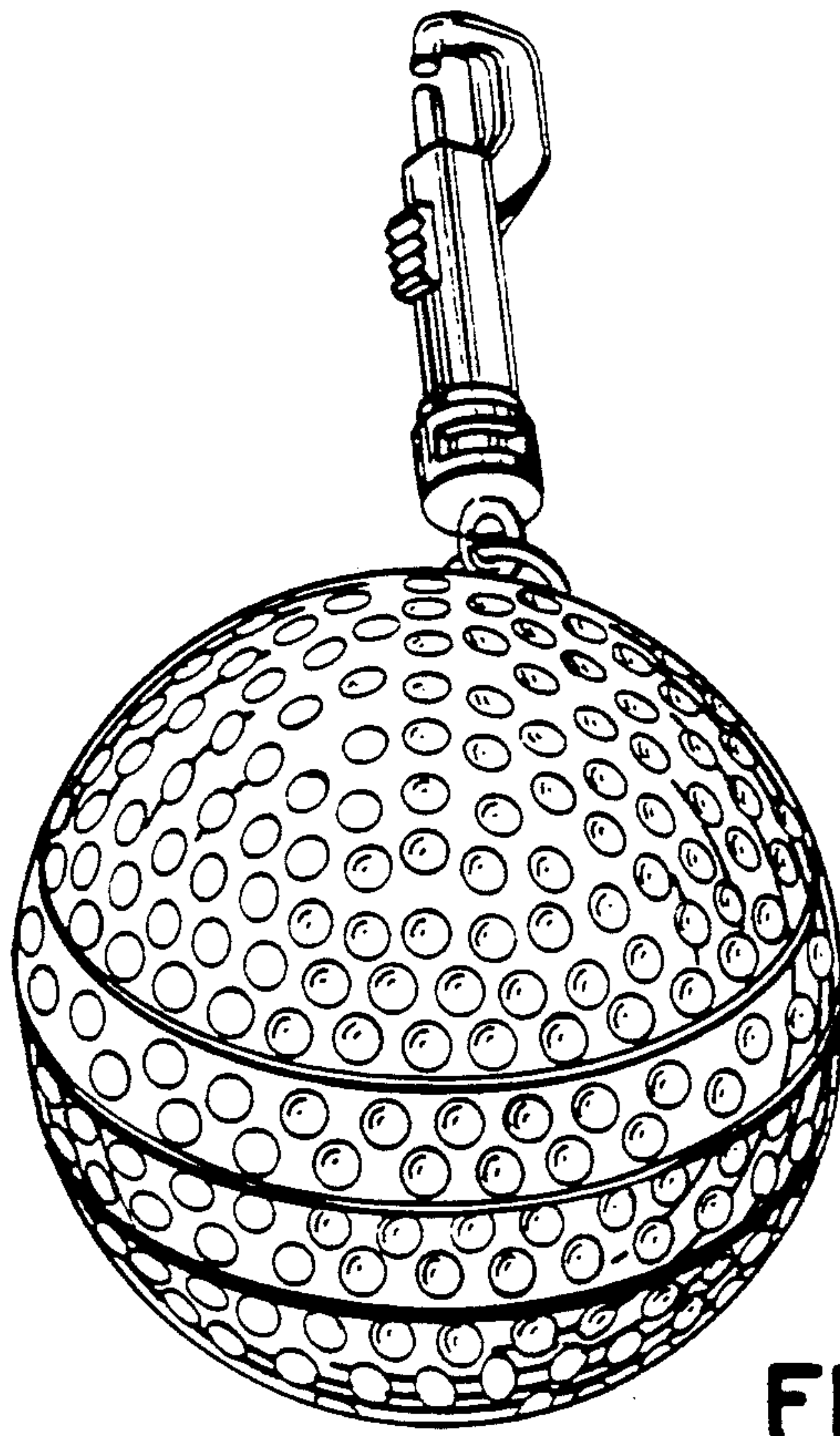


FIG. 7

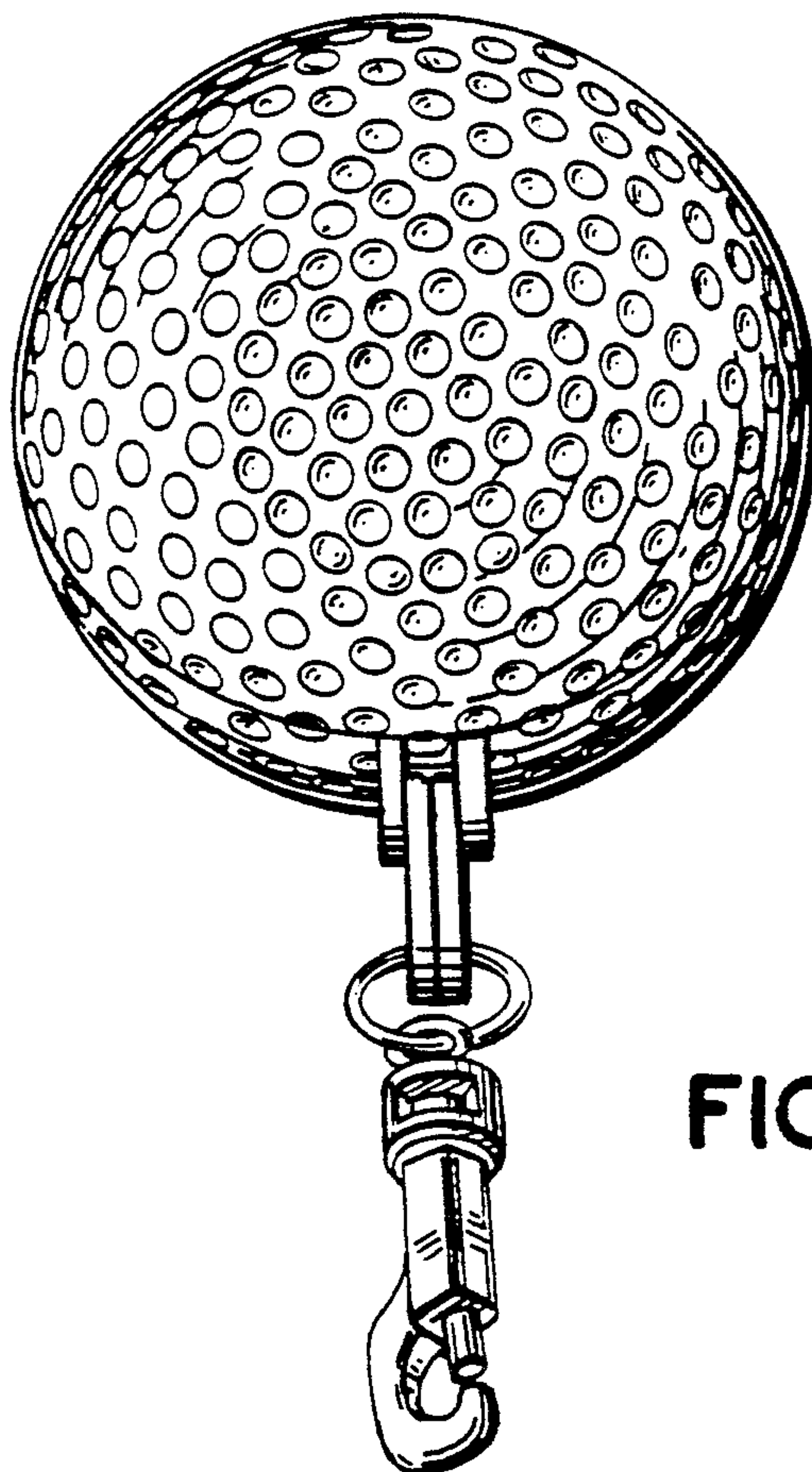


FIG. 8

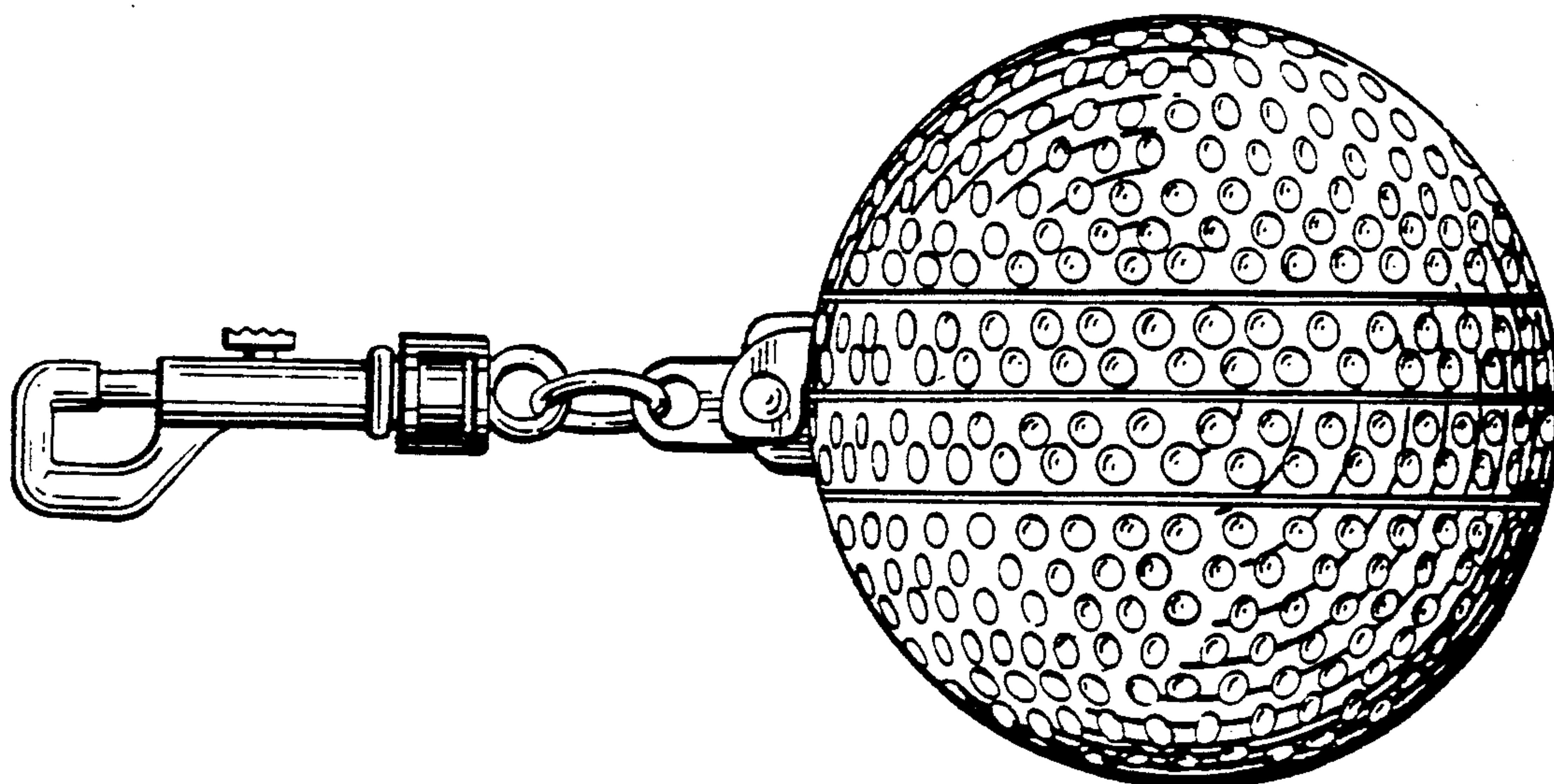


FIG. 9

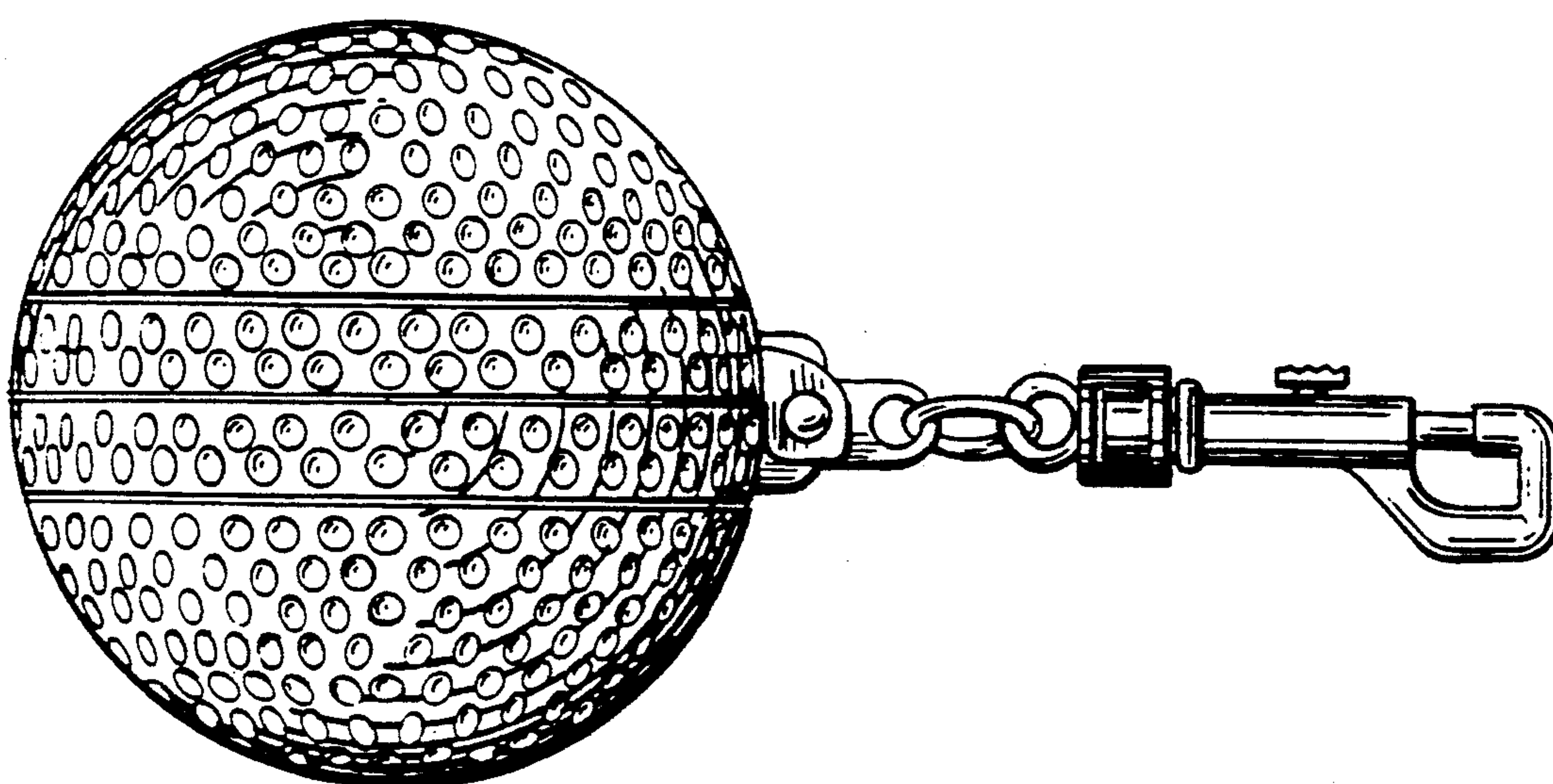


FIG. 10

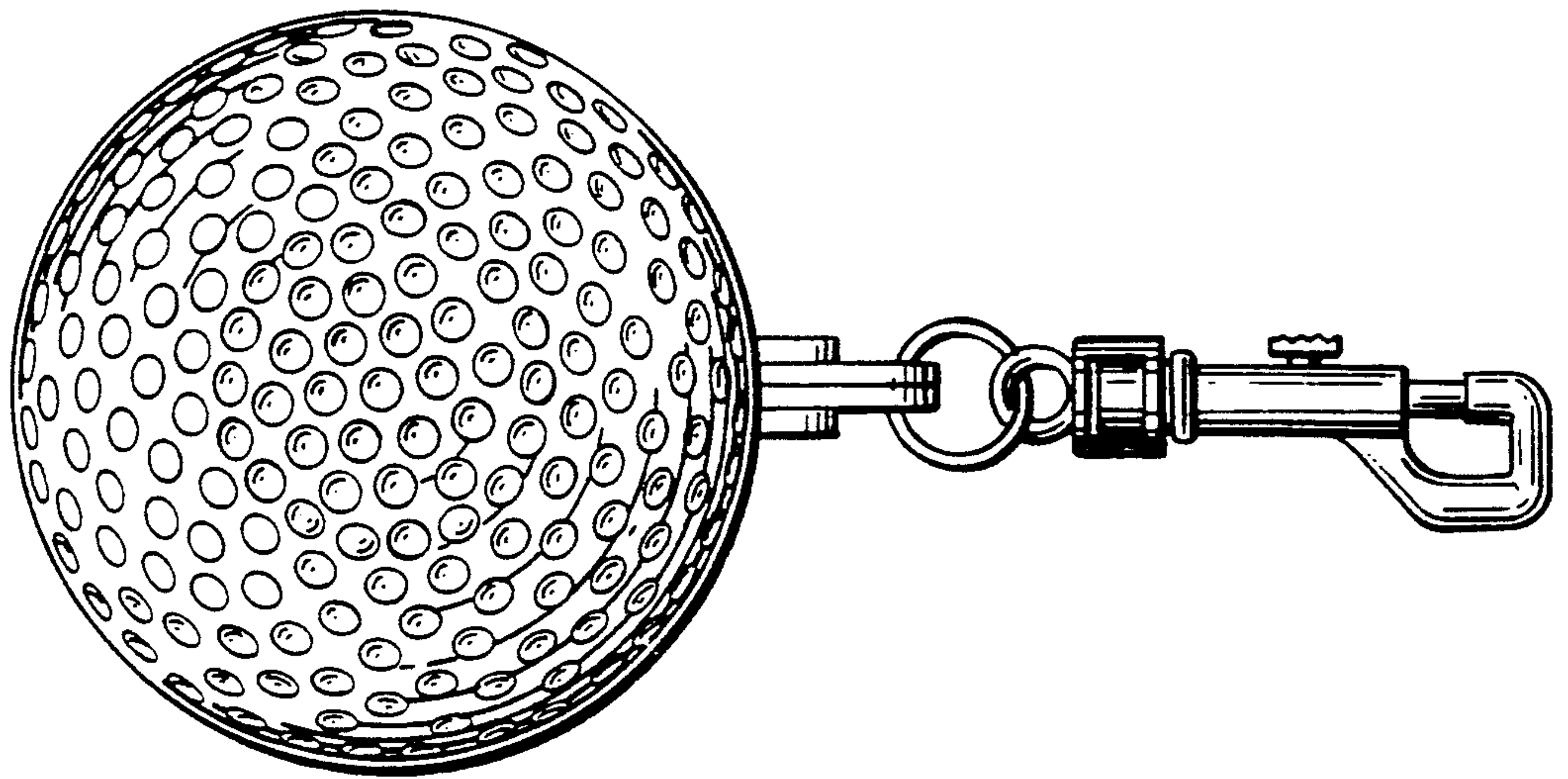


FIG. 11

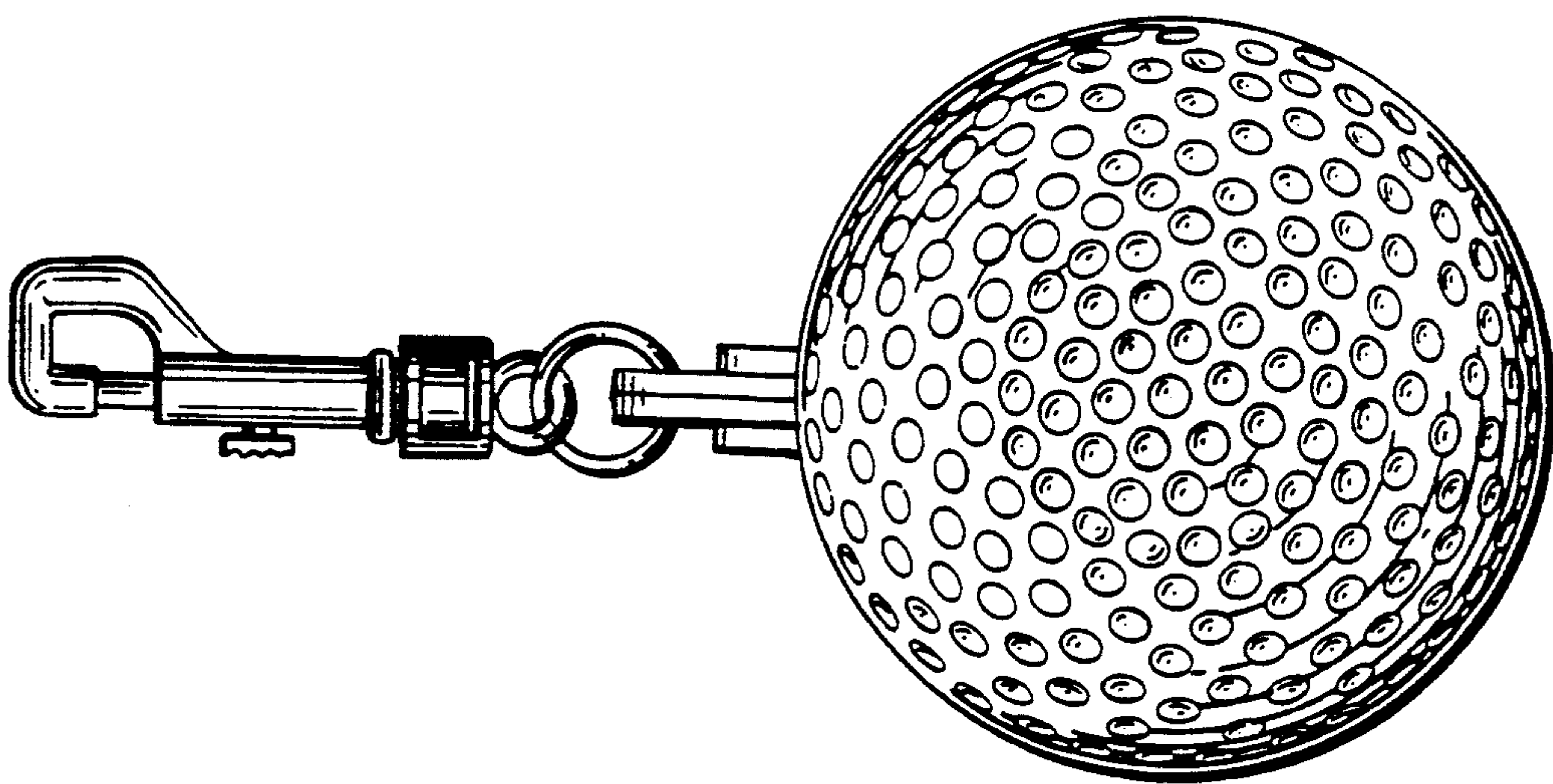


FIG. 12