



US00D329477S

# United States Patent [19]

[11] Patent Number: **Des. 329,477**

Lehtonen

[45] Date of Patent: **\*\* Sep. 15, 1992**

[54] **PHYSICAL EXERCISER**

[75] Inventor: **Kari Lehtonen, Paimio, Finland**

[73] Assignee: **Tunturipyora OY, Turku, Finland**

[\*\*] Term: **14 Years**

[21] Appl. No.: **562,963**

[22] Filed: **Aug. 6, 1990**

[30] **Foreign Application Priority Data**

Feb. 7, 1990 [FI] Finland ..... 111/90

[52] U.S. Cl. .... **D21/195**

[58] Field of Search ..... **D21/191-199;**  
482/51, 112, 142, 143, 144

[56] **References Cited**

**U.S. PATENT DOCUMENTS**

D. 251,320 3/1979 Brentham ..... D21/195

D. 263,978 4/1982 Brentham ..... D21/195  
D. 284,297 6/1986 Mahnke ..... D21/195  
D. 289,190 4/1987 Brentham ..... D21/195  
D. 303,558 9/1989 Alessandri ..... D21/195  
D. 321,027 10/1991 Jones ..... D21/195

*Primary Examiner*—Charles A. Rademaker  
*Attorney, Agent, or Firm*—Fleit, Jacobson, Cohn, Price,  
Holman & Stern

## [57] CLAIM

The ornamental design for a physical exerciser, as shown and described.

## DESCRIPTION

FIG. 1 is a front perspective view of a physical exerciser showing my new design;  
FIG. 2 is a side perspective view thereof;  
FIG. 3 is a front perspective view thereof;  
FIG. 4 is a rear perspective view thereof; and,  
FIG. 5 is a top perspective view thereof.

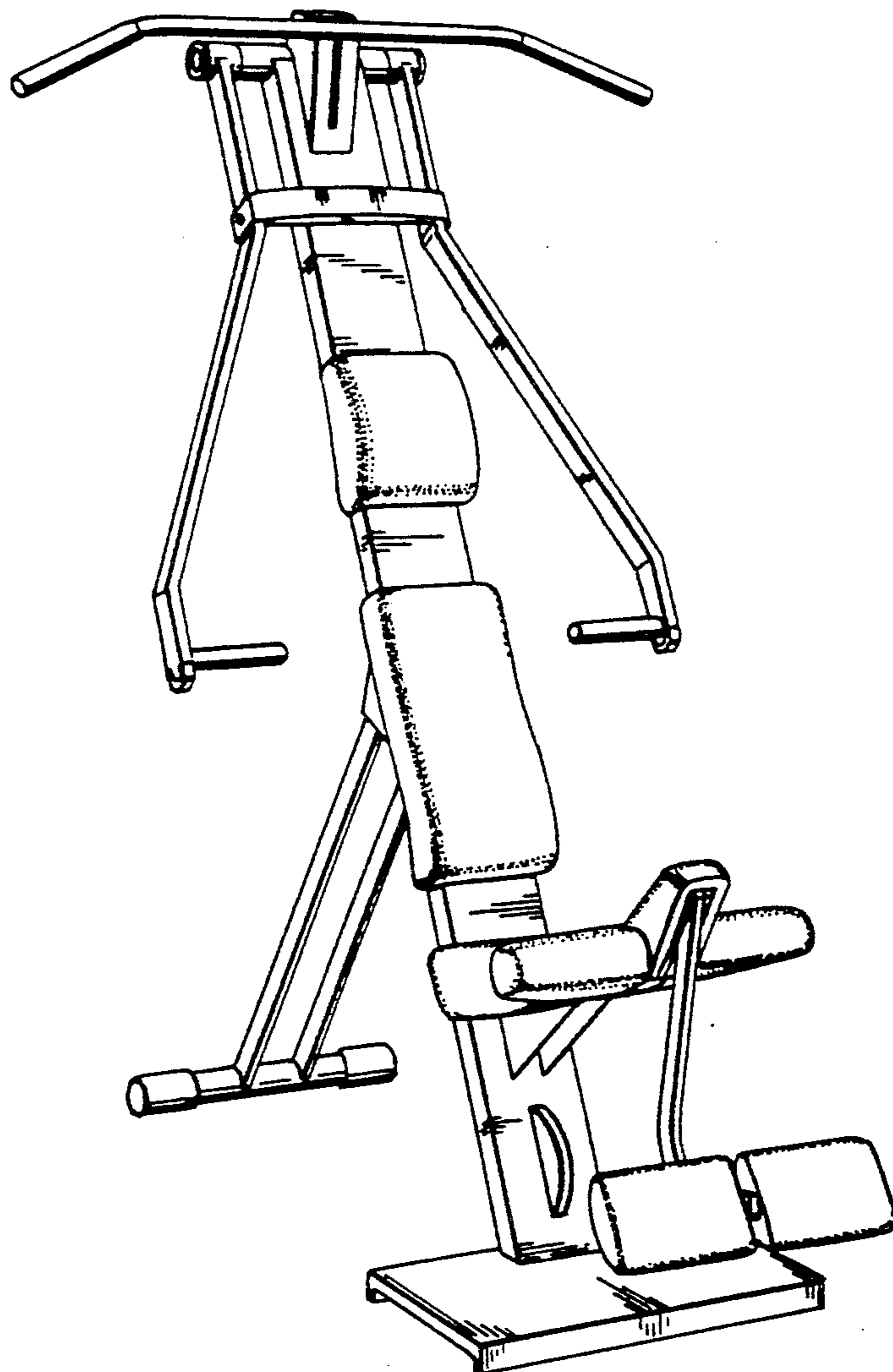


FIG. 1

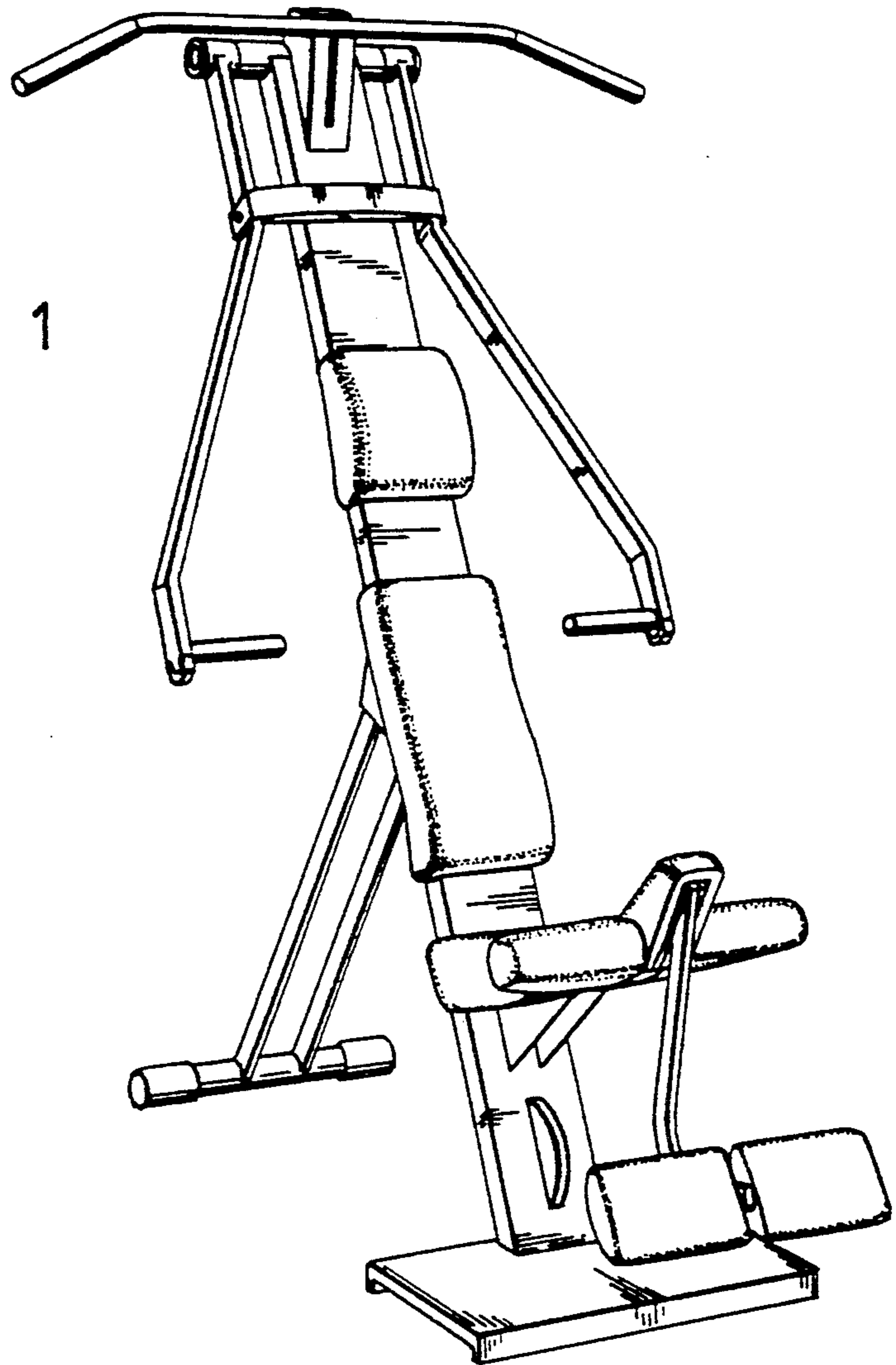
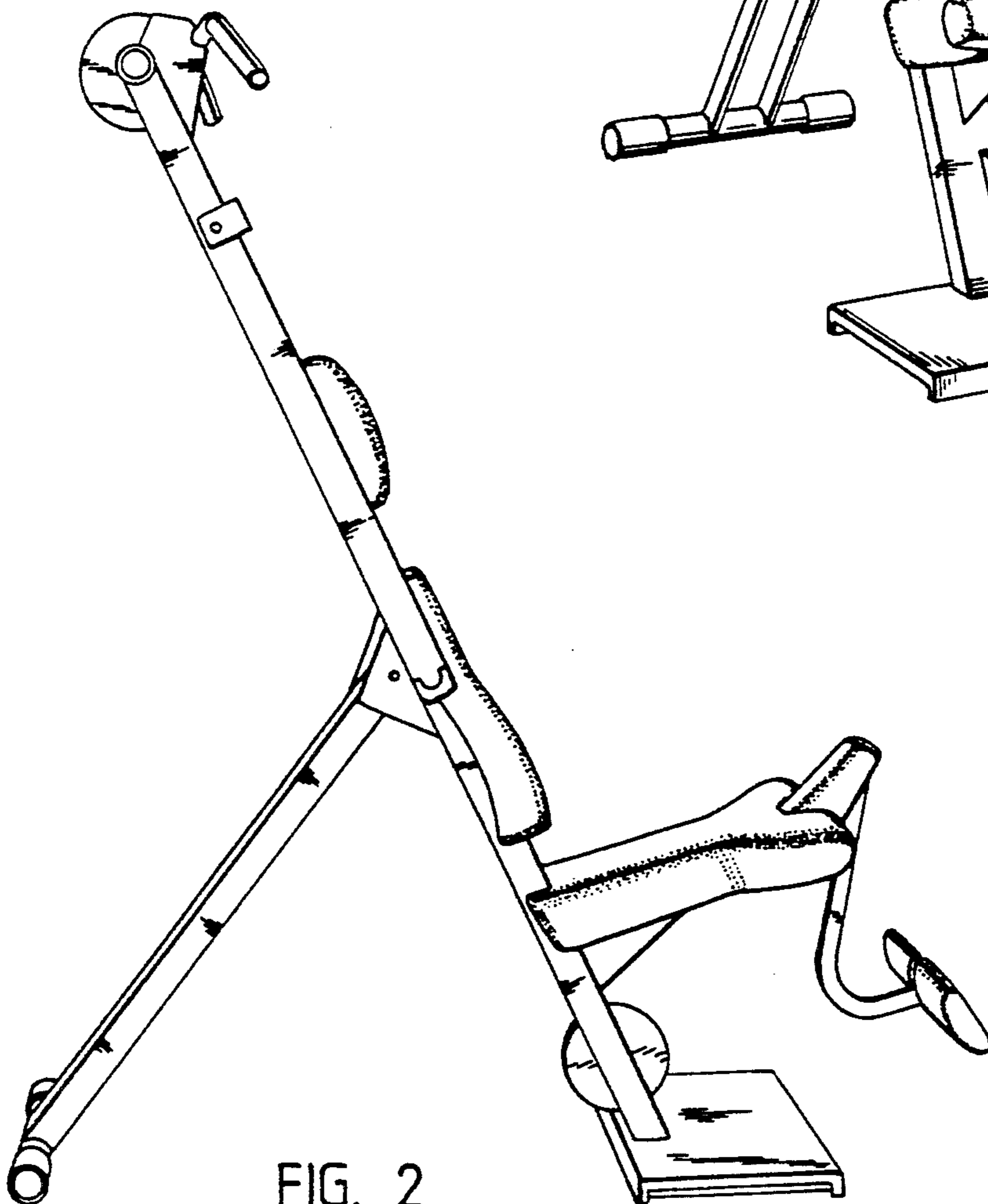


FIG. 2



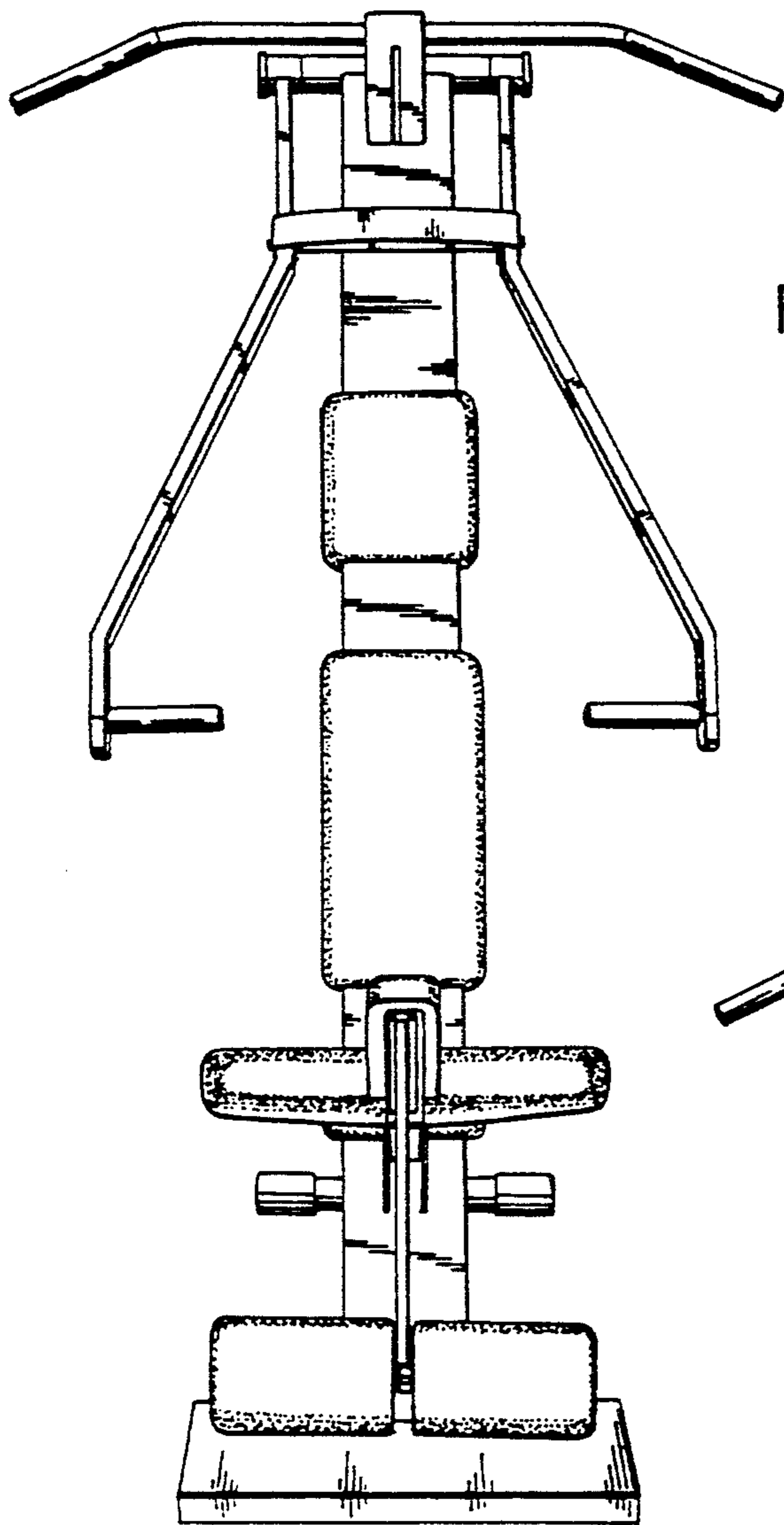


FIG. 3

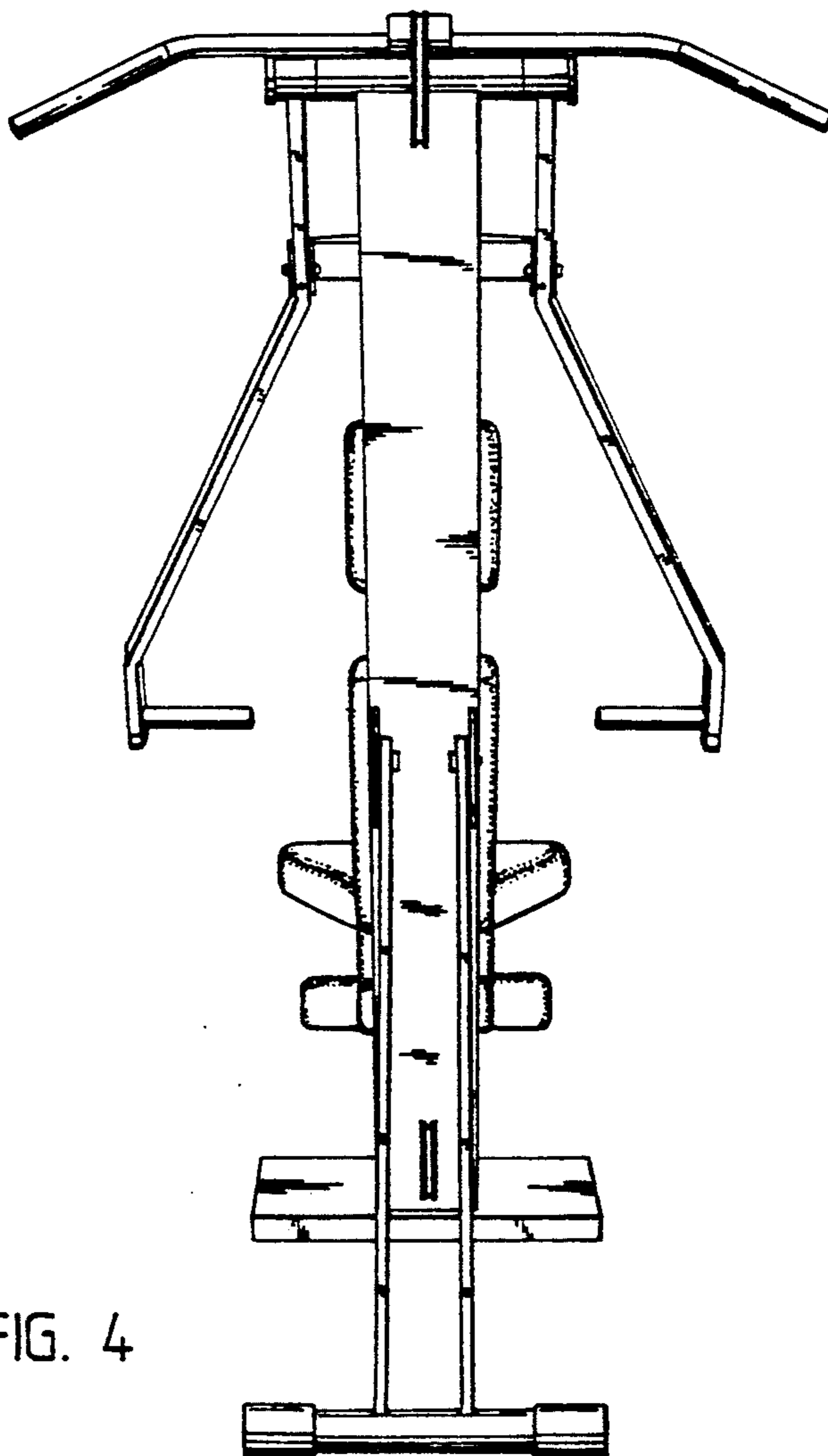


FIG. 4

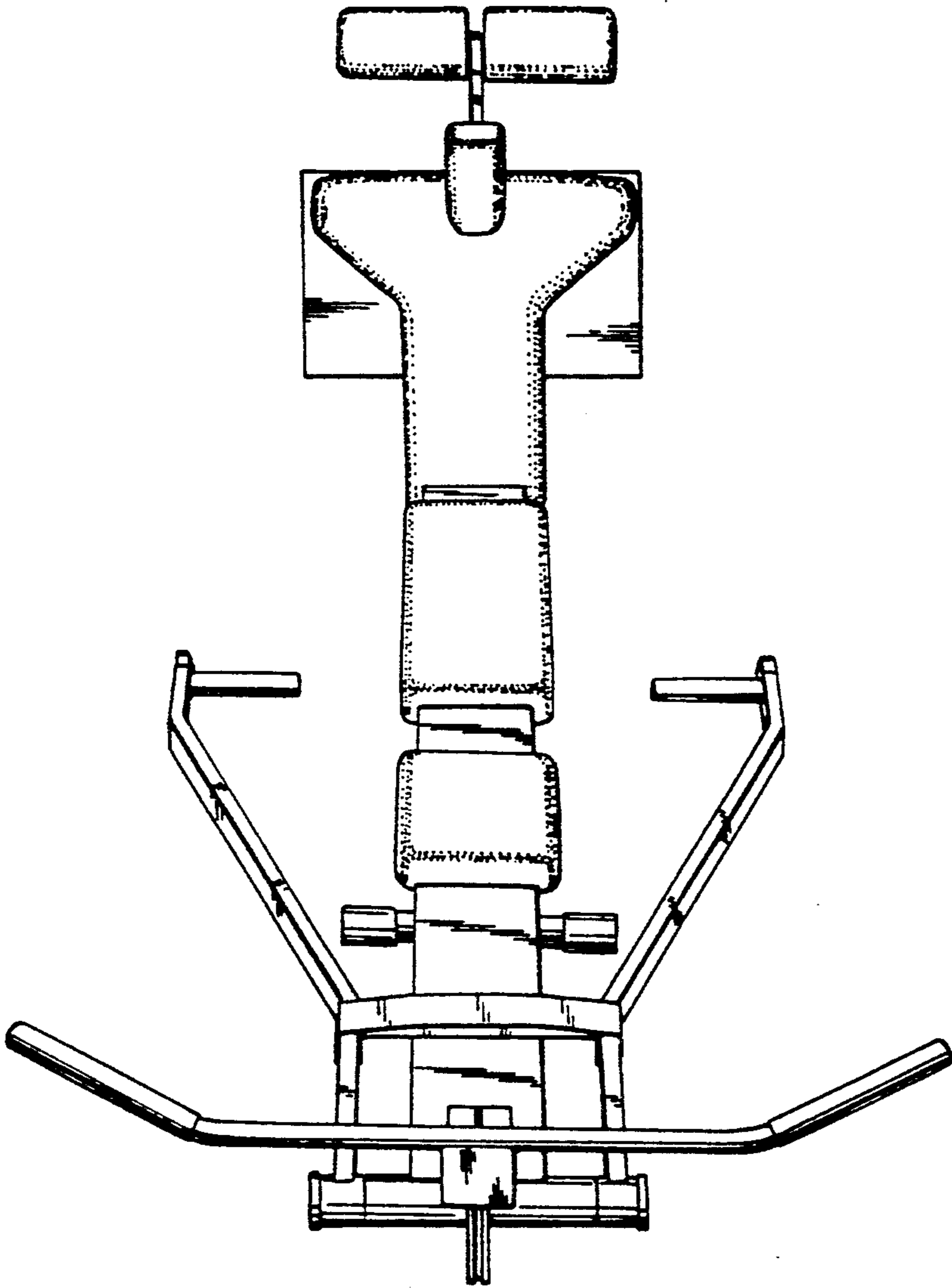


FIG. 5