



US00D329471S

United States Patent [19]

[11] Patent Number: **Des. 329,471**

Nakazawa et al.

[45] Date of Patent: **** Sep. 15, 1992**

[54] WATER GAME

[56]

References Cited

U.S. PATENT DOCUMENTS

[75] Inventors: **Chieko Nakazawa; Michiaki Tomimatsu**, both of Tokyo, Japan

D. 173,966	2/1955	Raines	D21/176
D. 250,357	11/1978	Matsumoto	D21/59
D. 259,268	5/1981	Itakura	D21/59
D. 263,606	3/1982	Takahashi	D21/59
D. 300,753	4/1989	Matsui	D21/59
4,923,429	5/1990	Lewis	446/267

[73] Assignee: **Tomy Company, Ltd.**, Tokyo, Japan

[**] Term: **14 Years**

Primary Examiner—Charles A. Rademaker
Attorney, Agent, or Firm—Staas & Halsey

[21] Appl. No.: **654,912**

[57] CLAIM

The ornamental design for a water game, as shown.

[22] Filed: **Feb. 13, 1991**

DESCRIPTION

[30] Foreign Application Priority Data

Aug. 13, 1990 [JP] Japan 2-27478

[52] U.S. Cl. D21/59; D21/175

[58] Field of Search D21/59, 63, 5, 27, 12,
D21/176, 177, 175; 273/1, 4, 350, 120 R;
446/267

FIG. 1 is a front elevational view of a water game showing our new design;

FIG. 2 is a rear elevational view thereof;

FIG. 3 is a right-side elevational view thereof;

FIG. 4 is a left-side elevational view thereof;

FIG. 5 is a top plan view thereof; and,

FIG. 6 is a bottom plan view.

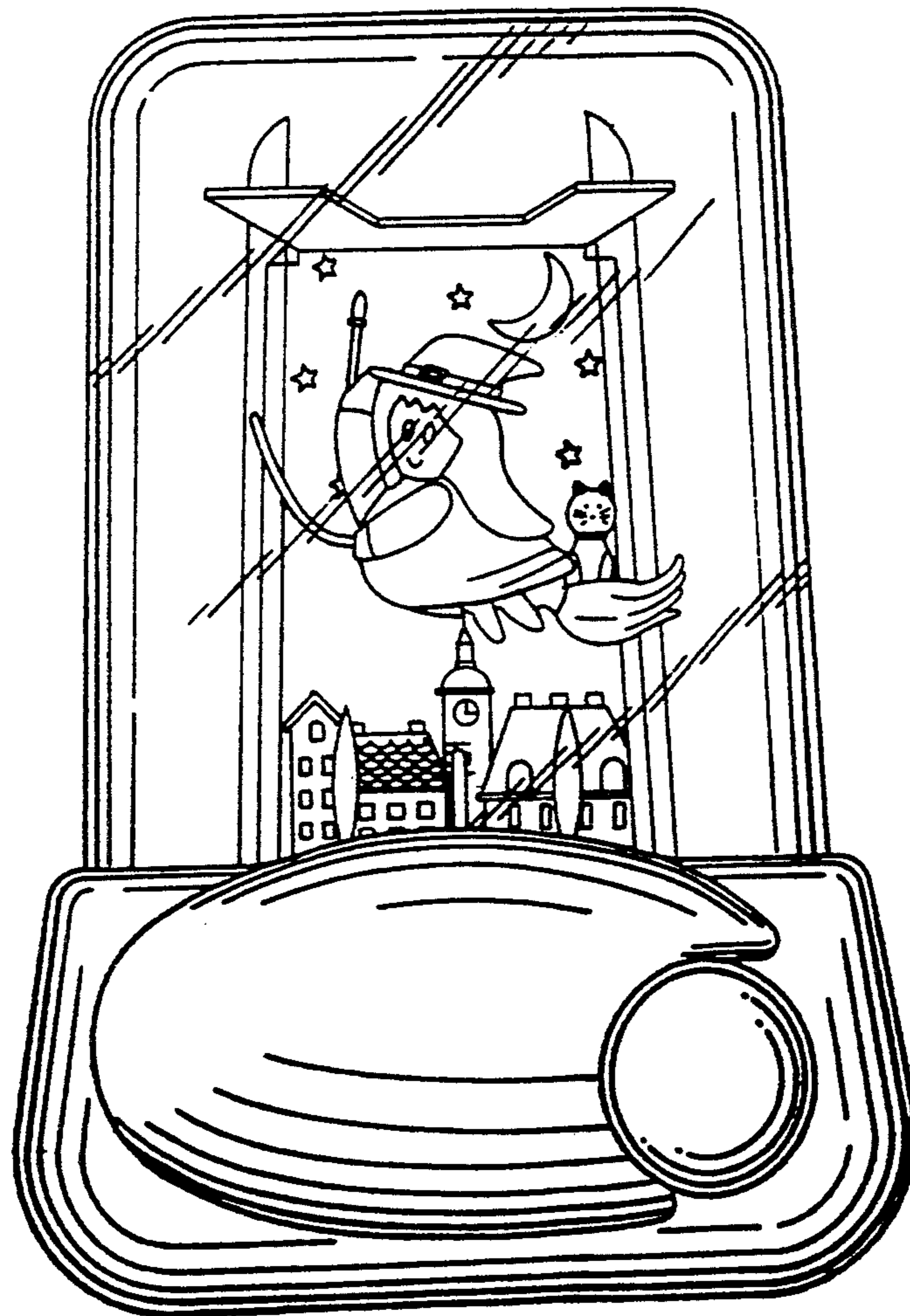


FIG. 2

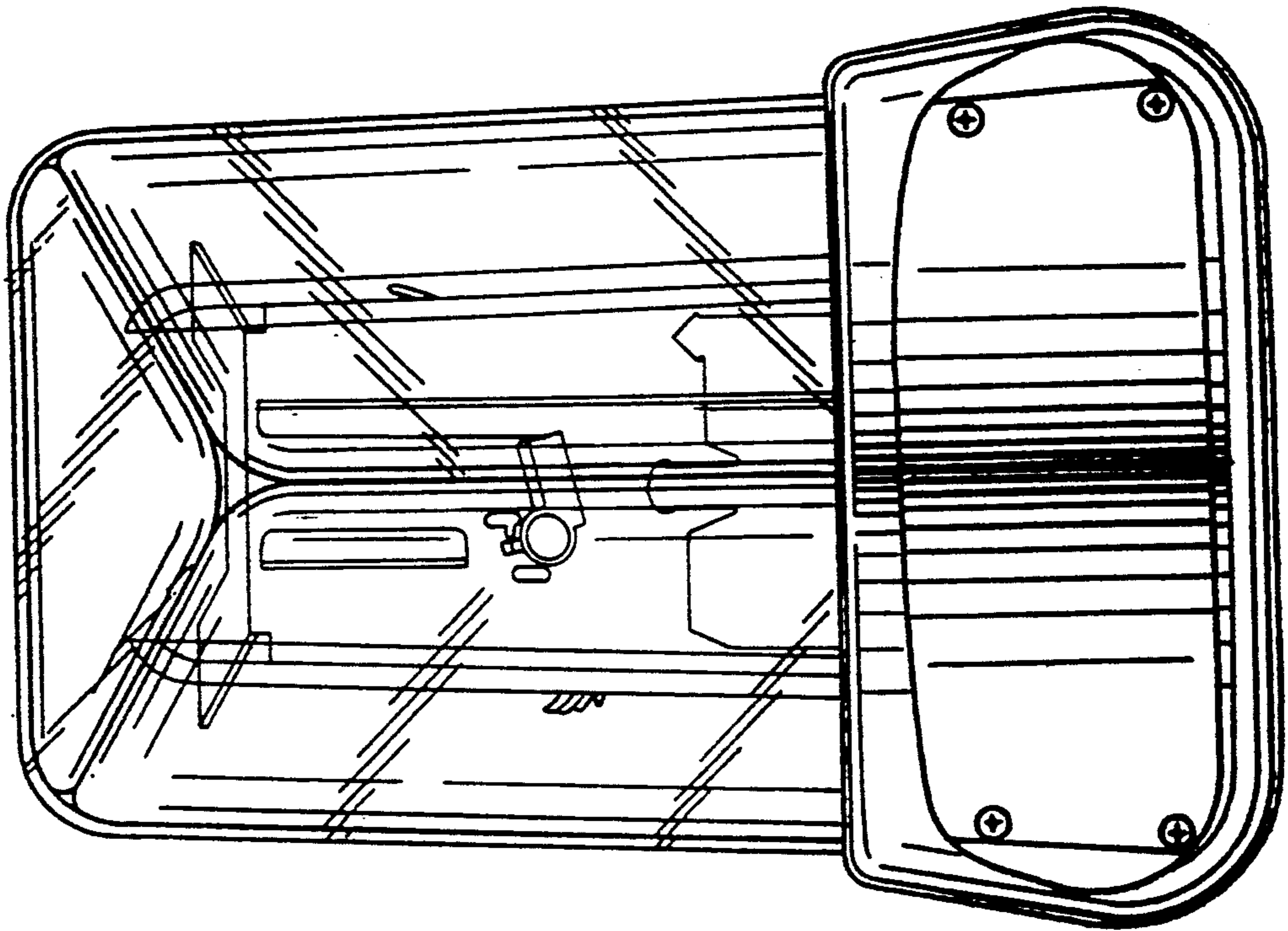


FIG. 1

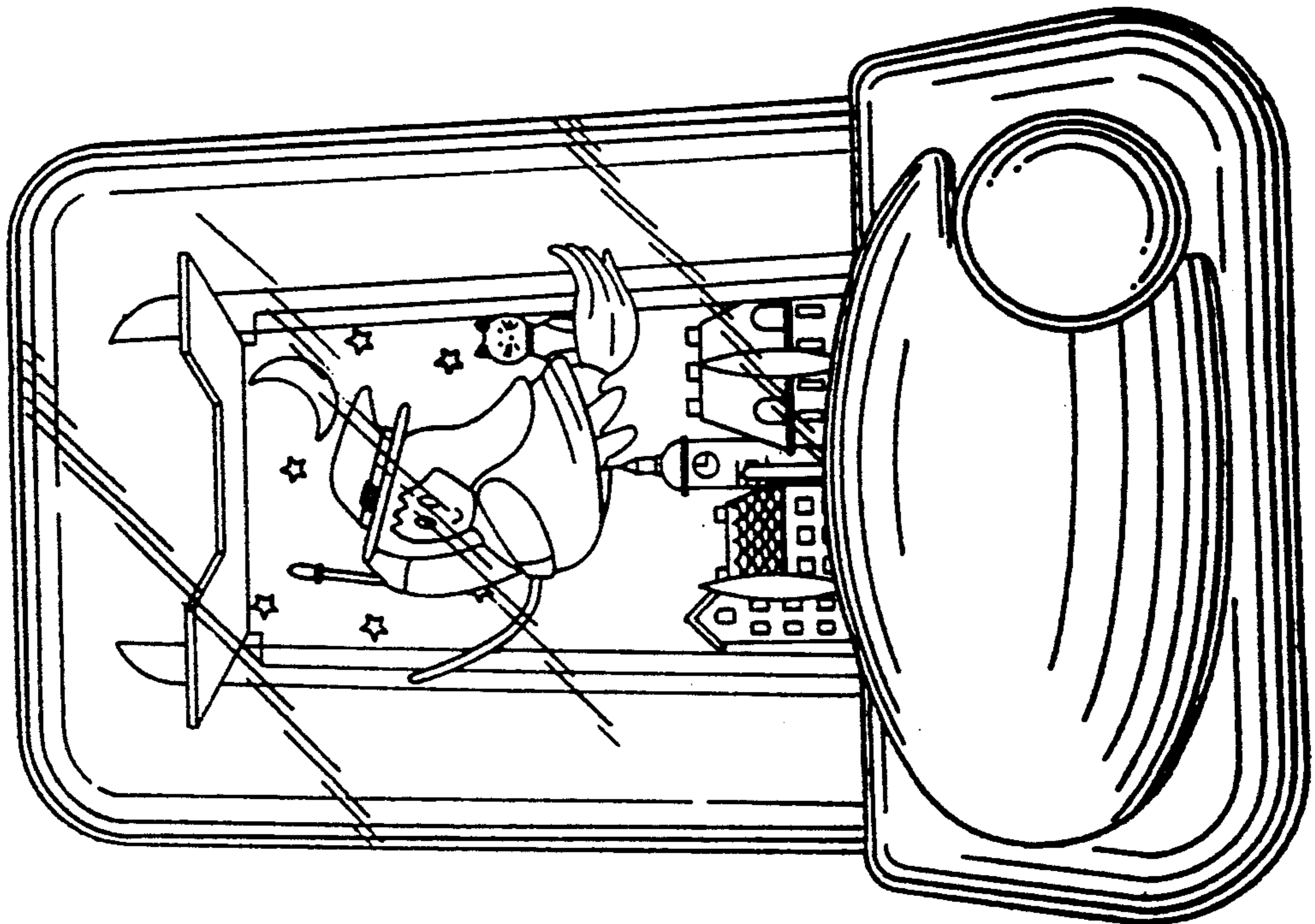


FIG. 4

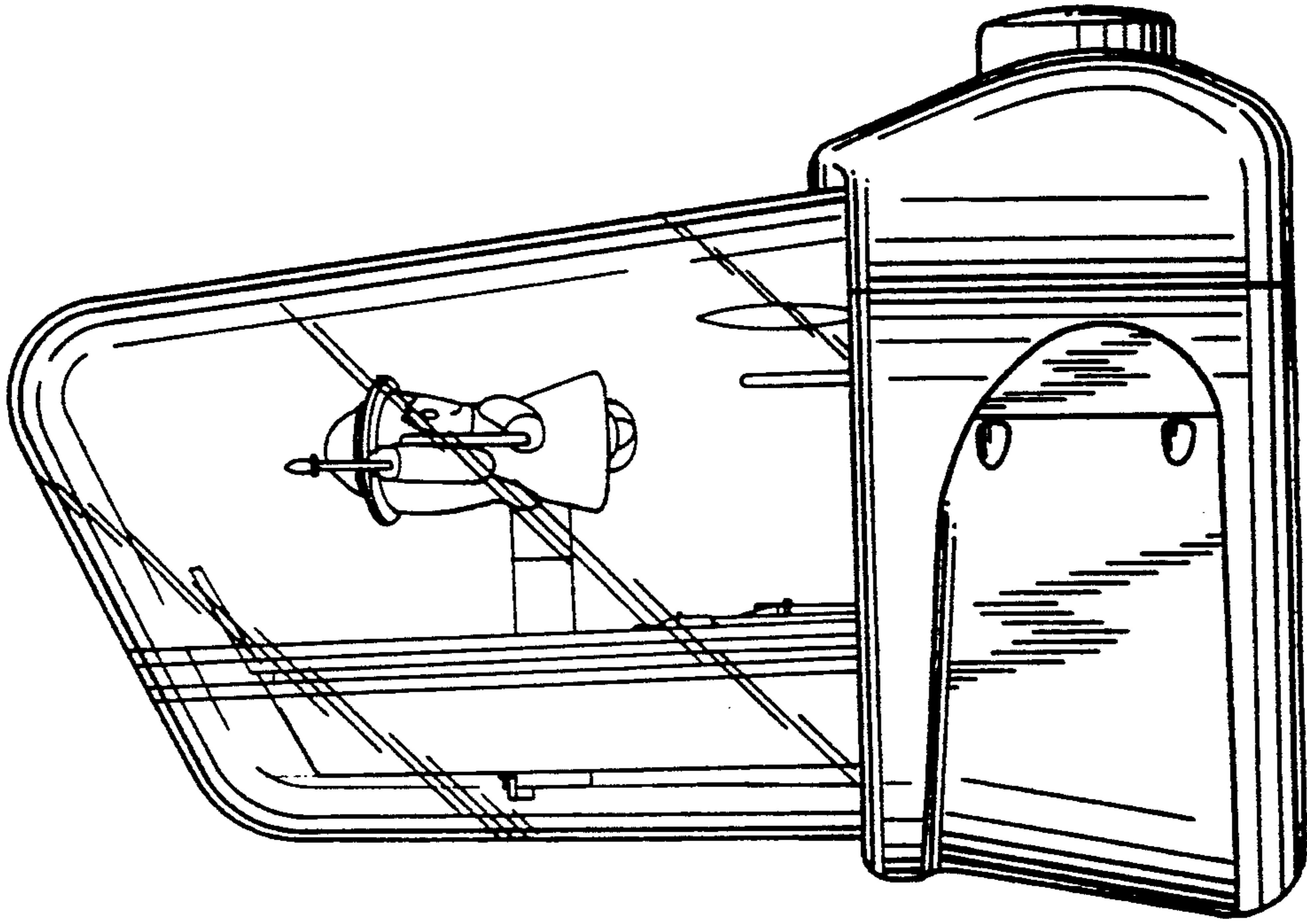


FIG. 3

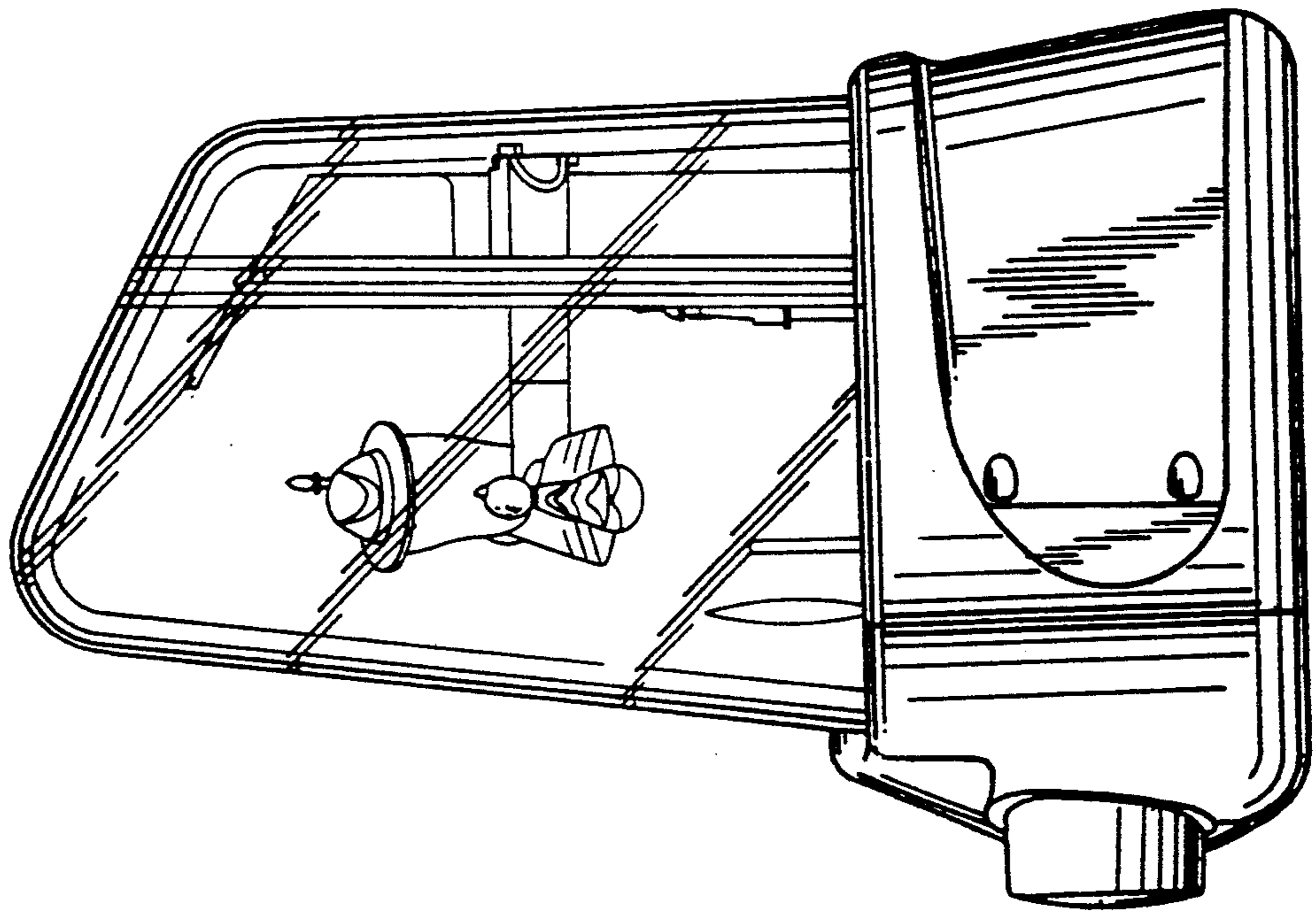


FIG. 5

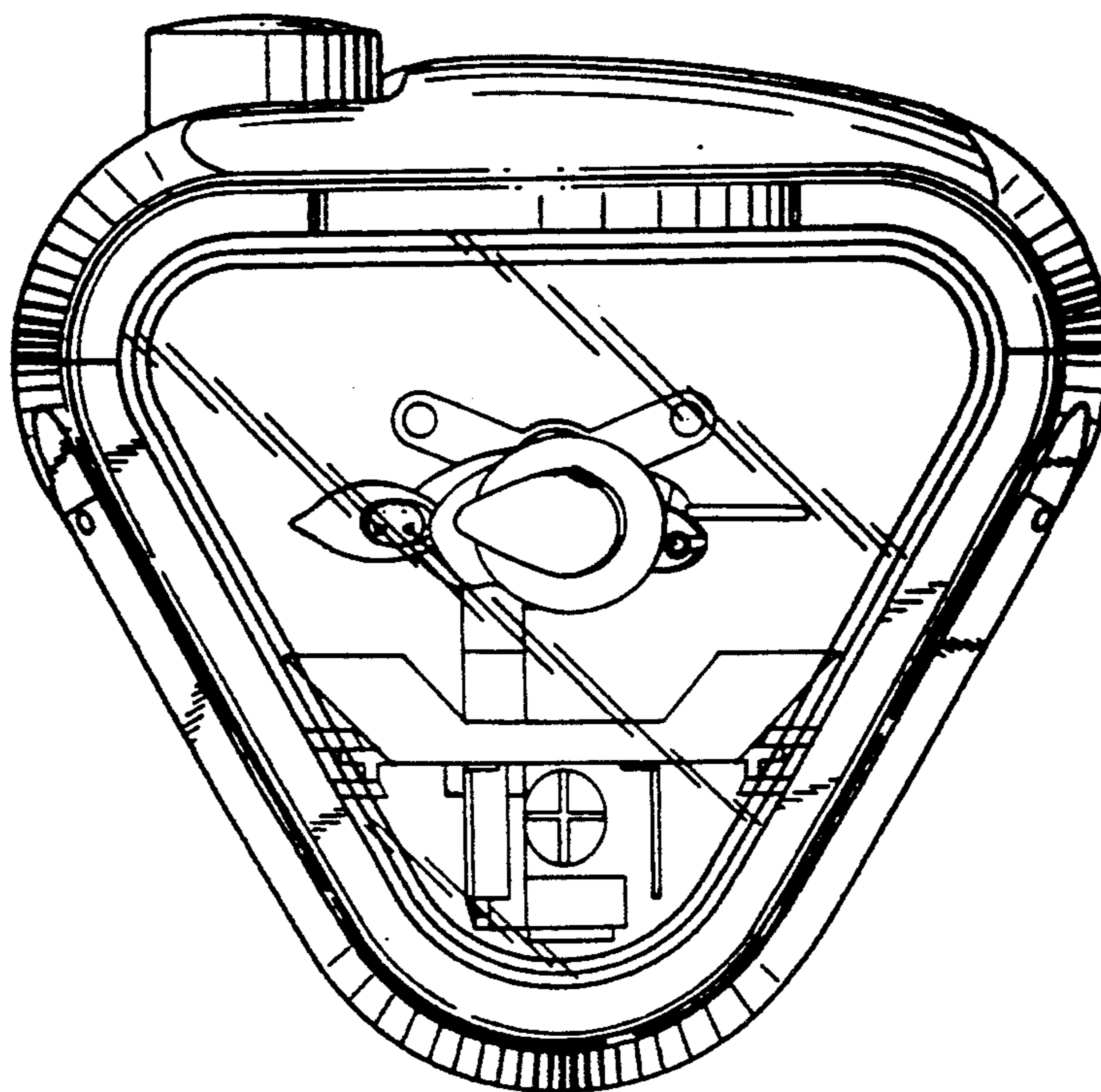


FIG. 6

