



US00D329469S

United States Patent [19]

[11] Patent Number: **Des. 329,469**

Franklin et al.

[45] Date of Patent: **** Sep. 15, 1992**

[54] DART BOARD BASEBALL GAME

[75] Inventors: **Irving H. Franklin**, Brockton; **Larry J. Franklin**, Chestnut Hill; **Kurt M. Gluck**, North Easton, all of Mass.

[73] Assignee: **Franklin Sports Industries, Inc.**, Stoughton, Mass.

[**] Term: **14 Years**

[21] Appl. No.: **505,649**

[22] Filed: **Apr. 5, 1990**

[52] U.S. Cl. **D21/6**

[58] Field of Search **D21/5, 6, 28; 273/348, 273/408**

[56] References Cited

U.S. PATENT DOCUMENTS

- D. 141,864 7/1945 Rehberger D21/6
- D. 221,142 7/1971 Posnick D21/6

OTHER PUBLICATIONS

Playthings Sep. 1936 p. 39 Baseball dart board, top center.

Toy Creations Inc. p. 3 baseball target, top left.

Playthings Jan. 1988 p. 64 Grand Slam Trivia Game, bottom left.

Primary Examiner—Bernard Ansher

Assistant Examiner—Sandra Morris

Attorney, Agent, or Firm—Weingarten, Schurigin,

Gagnebin & Hayes

[57] CLAIM

The ornamental design for a dart board baseball game, as shown.

DESCRIPTION

FIG. 1 is a front elevational view of a dart board baseball game showing our new design;

FIG. 2 is a top plan view thereof;

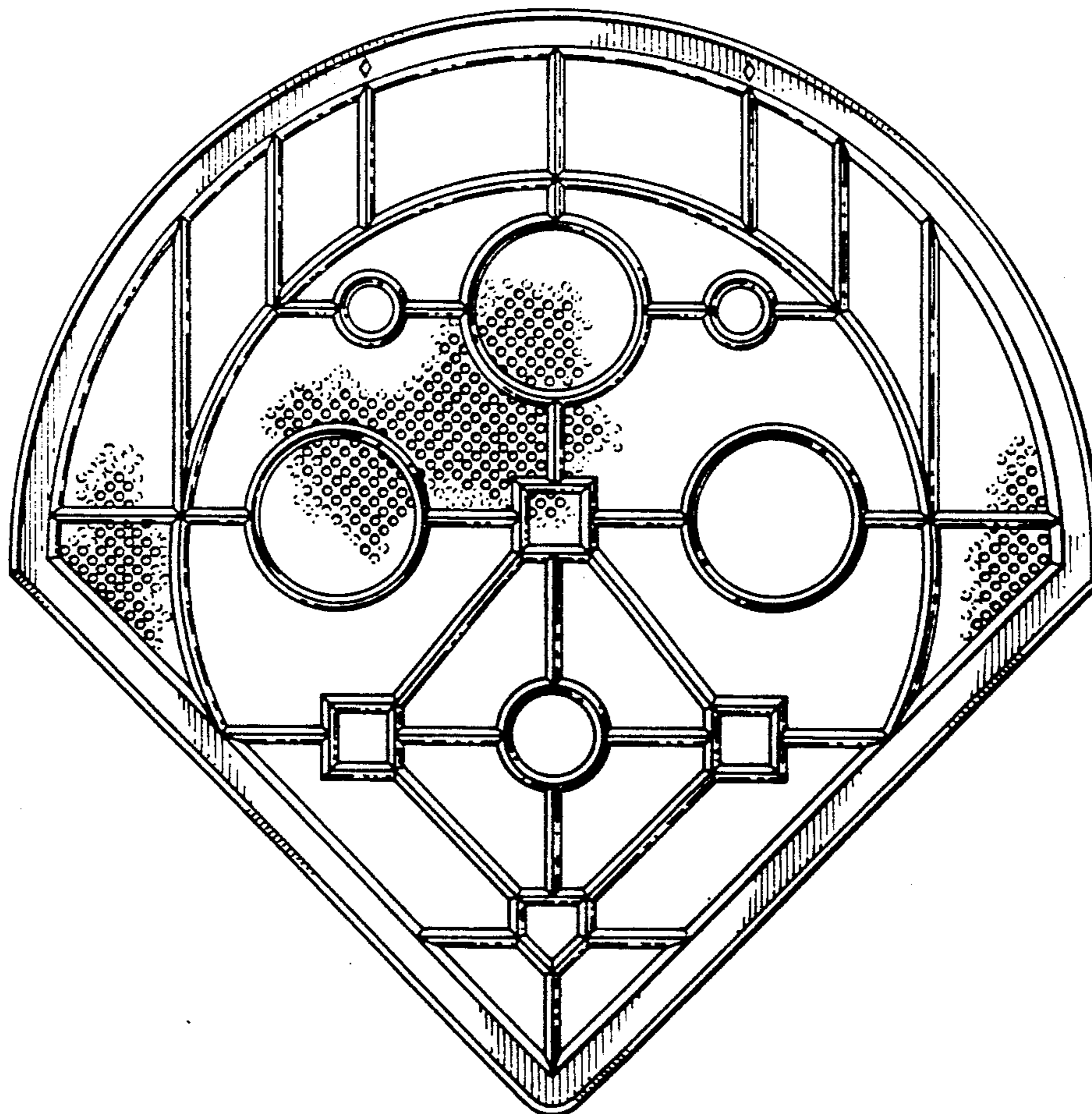
FIG. 3 is a bottom plan view thereof;

FIG. 4 is a rear elevational view thereof;

FIG. 5 is a left side elevational view thereof;

FIG. 6 is a right side elevational view thereof; and,

FIG. 7 is a perspective view thereof.



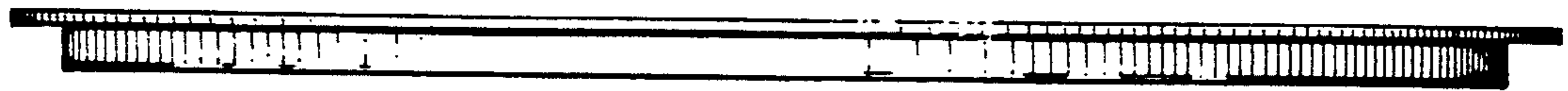


FIG. 2

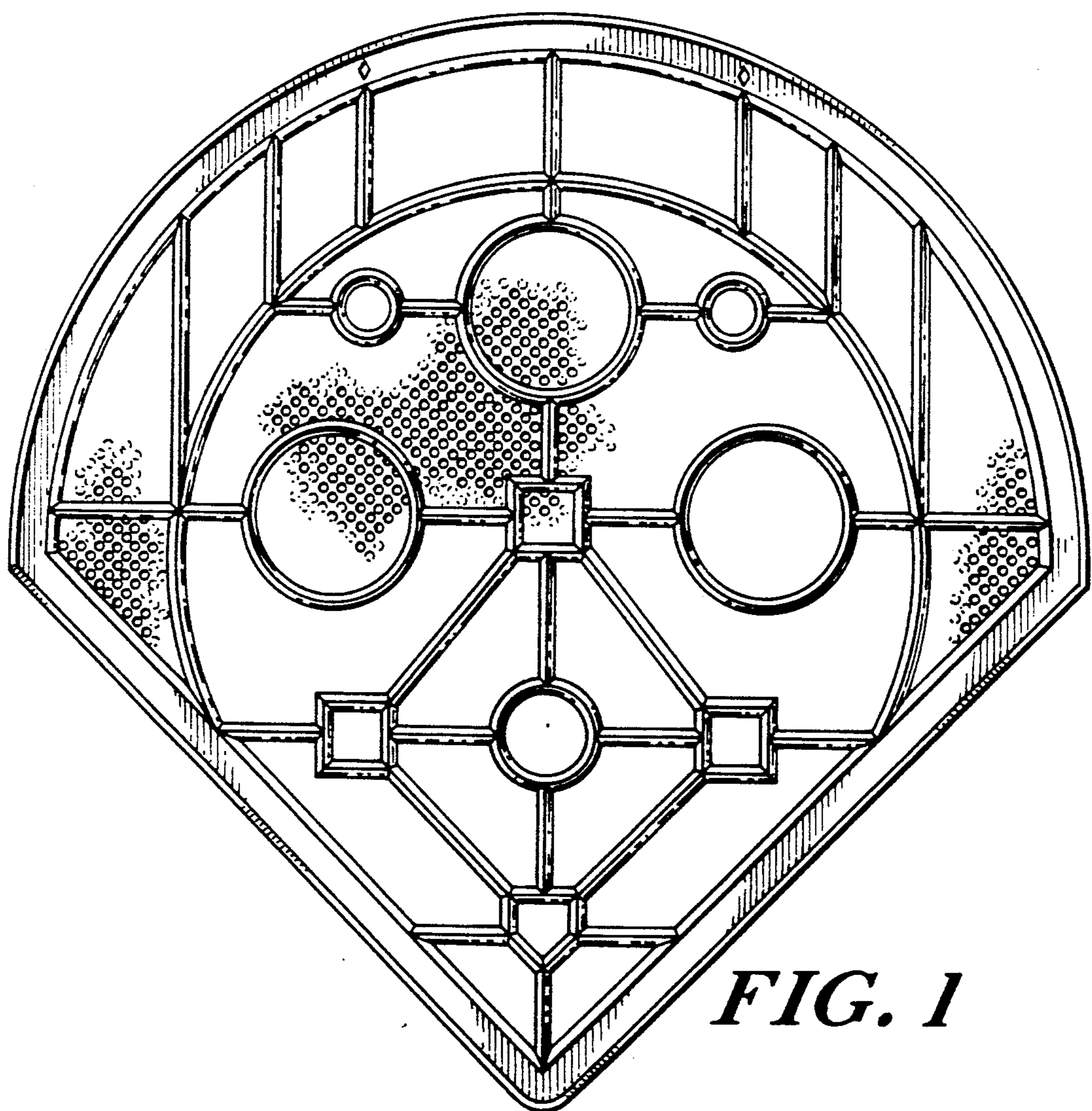


FIG. 1



FIG. 3

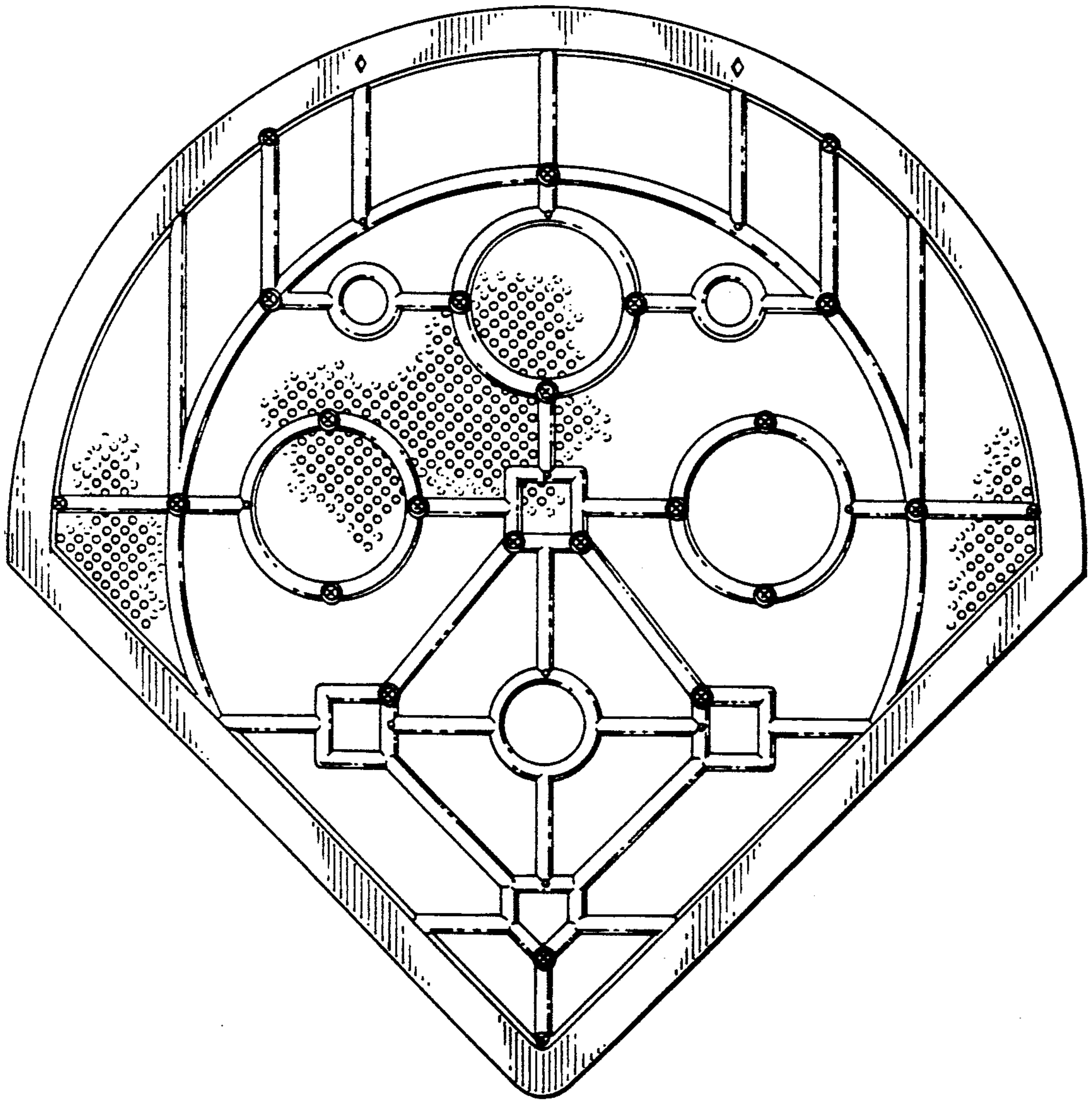


FIG. 4



FIG. 5



FIG. 6

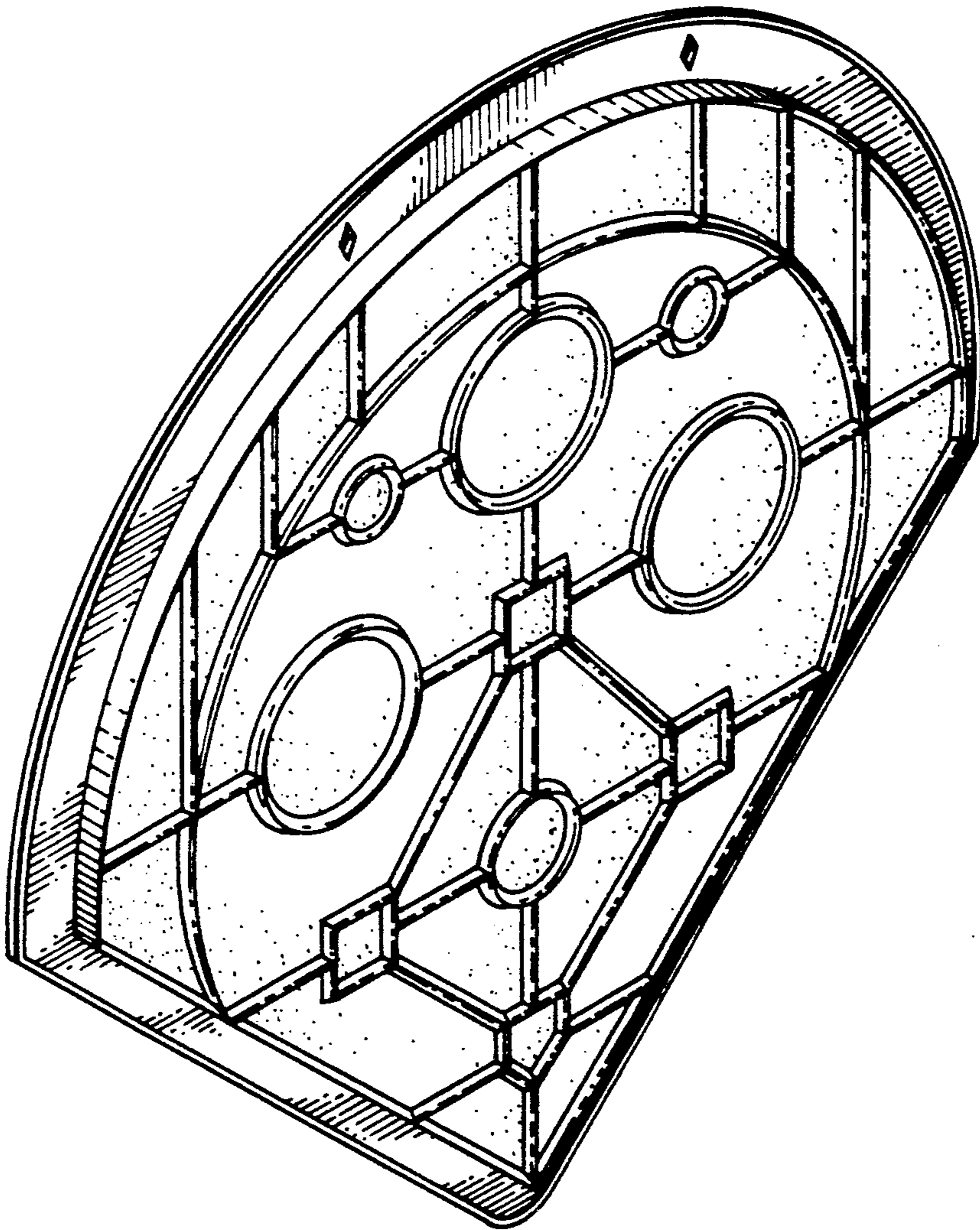


FIG. 7