



US00D329467S

United States Patent [19]

[11] Patent Number: **Des. 329,467**

Petersen

[45] Date of Patent: **** Sep. 15, 1992**

[54] **DATA BOX FOR REAL ESTATE LISTING INFORMATION**

D. 315,045	2/1991	Vanaman	D99/30
720,651	2/1903	Aarseth	232/33
3,107,848	10/1963	Penta	D99/29 X
5,011,446	4/1991	Feinberg	40/611 X

[76] Inventor: **Winton N. Petersen**, 6343 Safford Ter., North Port, Fla. 34287

OTHER PUBLICATIONS

[**] Term: **14 Years**

Picture Book of Symbols by E. Lehner, ©1956, p. 18 Gemini Symbol.

[21] Appl. No.: **567,551**

Symbol Sourcebook by H. Dreyfuss, ©1972, p. 88 Fixation/Gemini Symbol.

[22] Filed: **Aug. 15, 1990**

Doncraft, p. 8, Chalet Bird House.

[52] U.S. Cl. **D20/41; D25/7; D25/22**

[58] Field of Search **D20/40, 42, 38, 41, D20/10, 17, 39; D25/22, 16; 25/7, 29; D30/110-112; 40/606, 611, 607, 584; D99/29-30; D21/114; 232/17, 19, 33; 446/85, 476**

Primary Examiner—A. Hugo Word

Assistant Examiner—Doris V. Coles

Attorney, Agent, or Firm—Leon Gilden

[57] CLAIM

The ornamental design for a data box for real estate listing information, as shown and described.

[56] References Cited

U.S. PATENT DOCUMENTS

D. 49,510	8/1916	Fuller	D20/42
D. 225,288	11/1972	Dowsett	D20/38
271,603	2/1883	Converse	446/476
D. 278,355	4/1985	Williams	D20/41
D. 283,714	5/1986	Petroulias	D3/110 X
D. 286,794	11/1986	Bayless et al.	D20/41
D. 289,184	4/1987	Rutter	D20/17

DESCRIPTION

FIG. 1 is a front elevational view of the data box for real estate listing information showing my new design; FIG. 2 is a rear elevational view thereof; FIG. 3 is a left side elevational view thereof; FIG. 4 is a right side elevational view thereof; FIG. 5 is a top plan view thereof; and, FIG. 6 is a bottom plan view thereof.

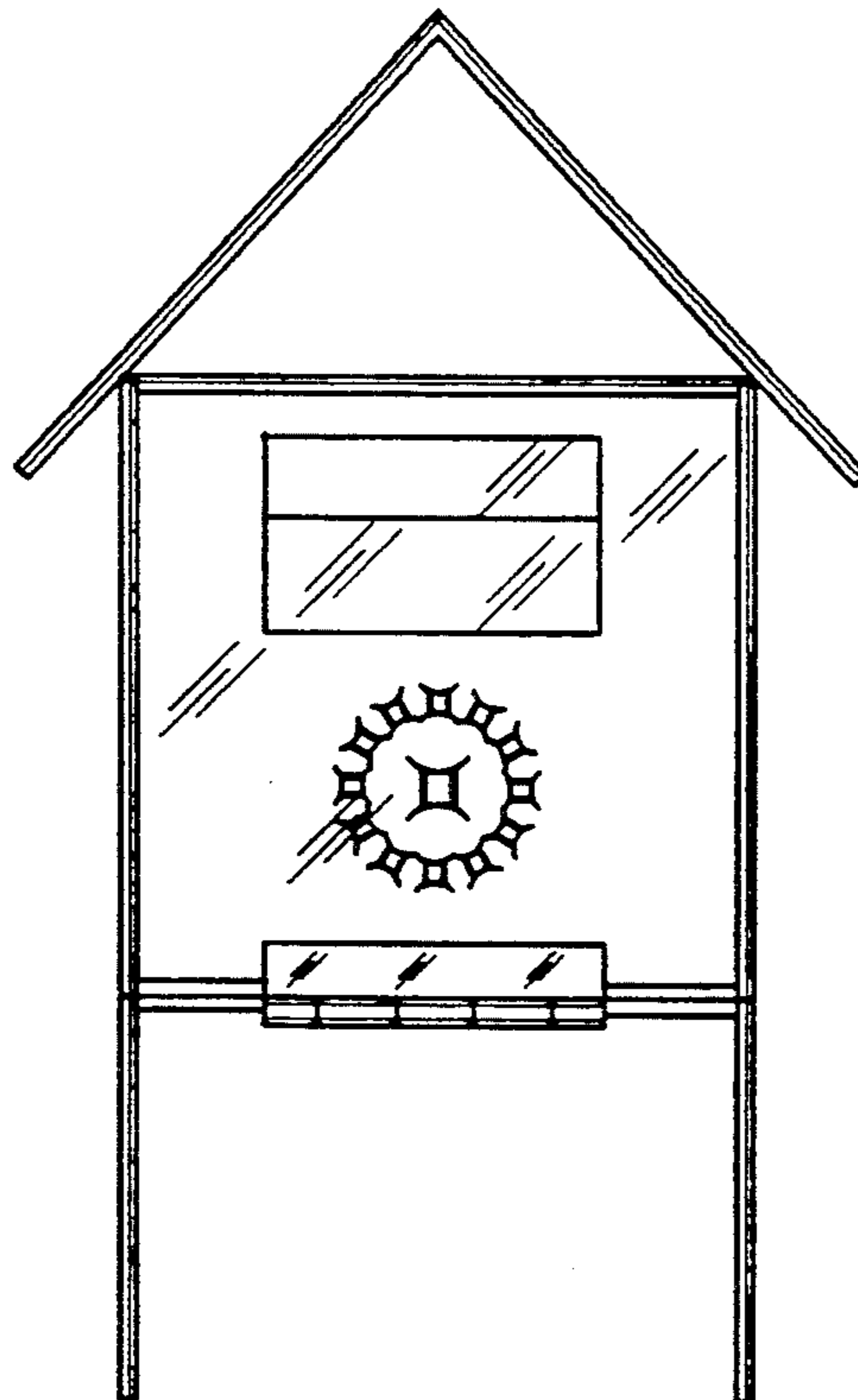


FIG. 1

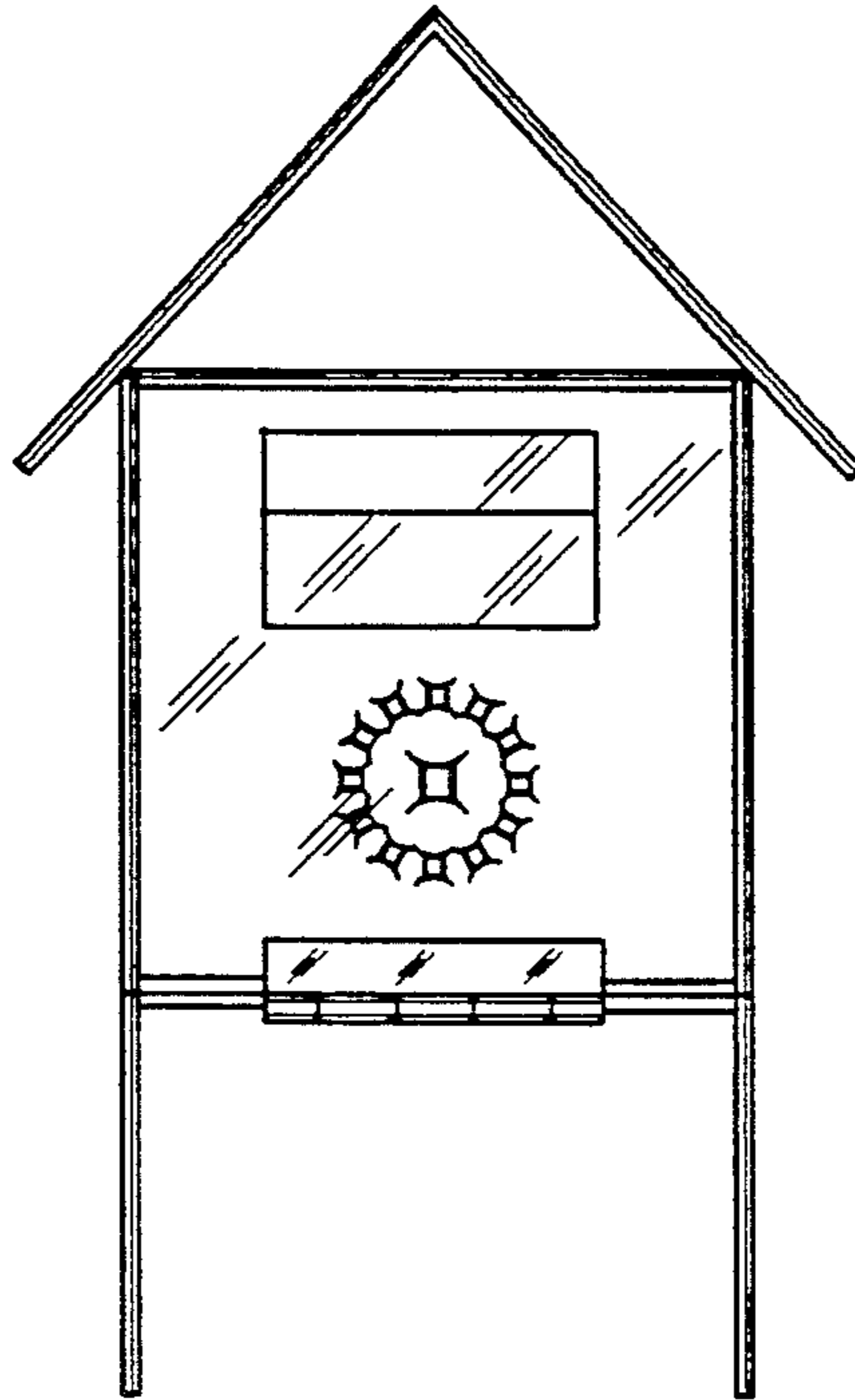


FIG. 2

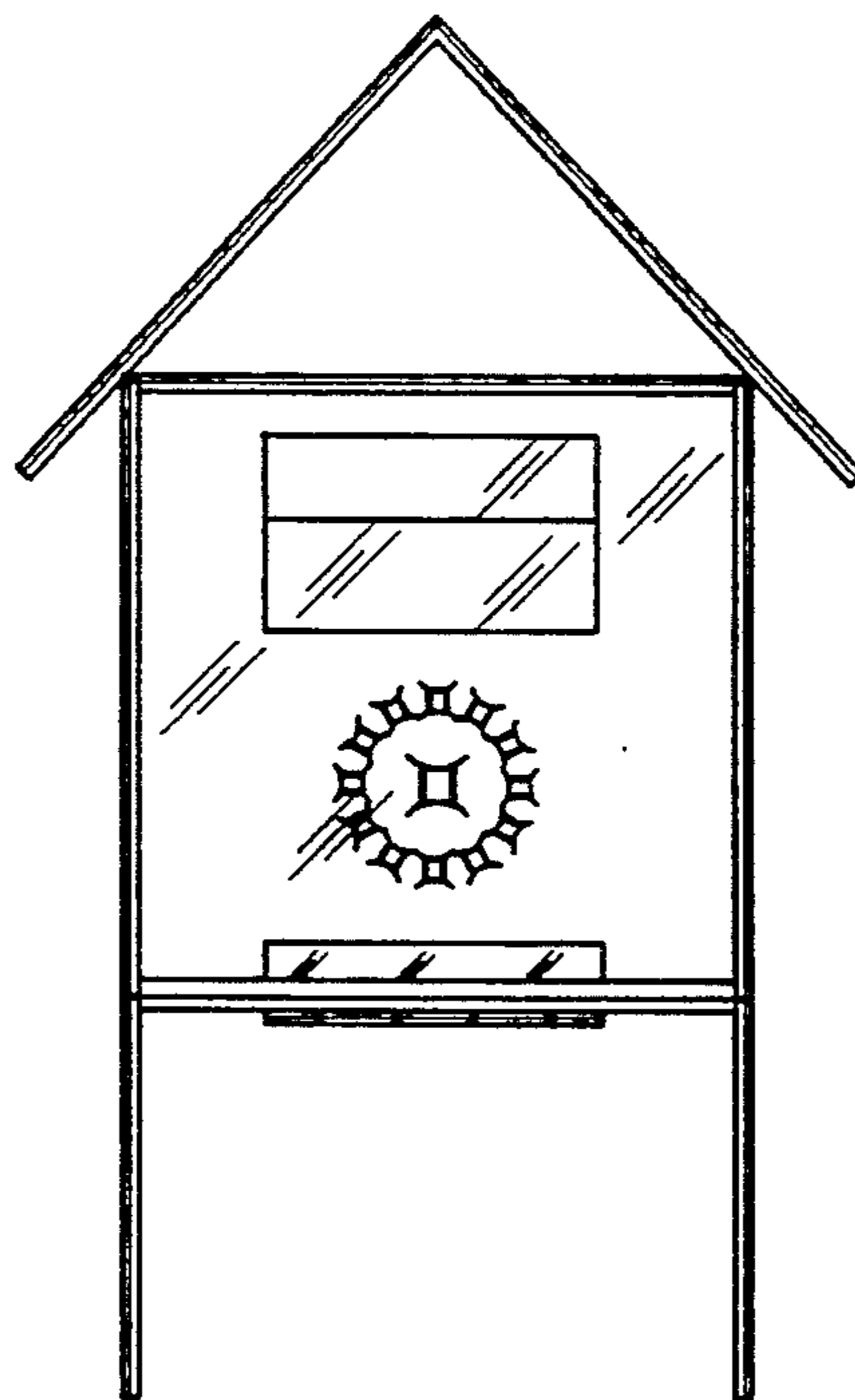


FIG. 3

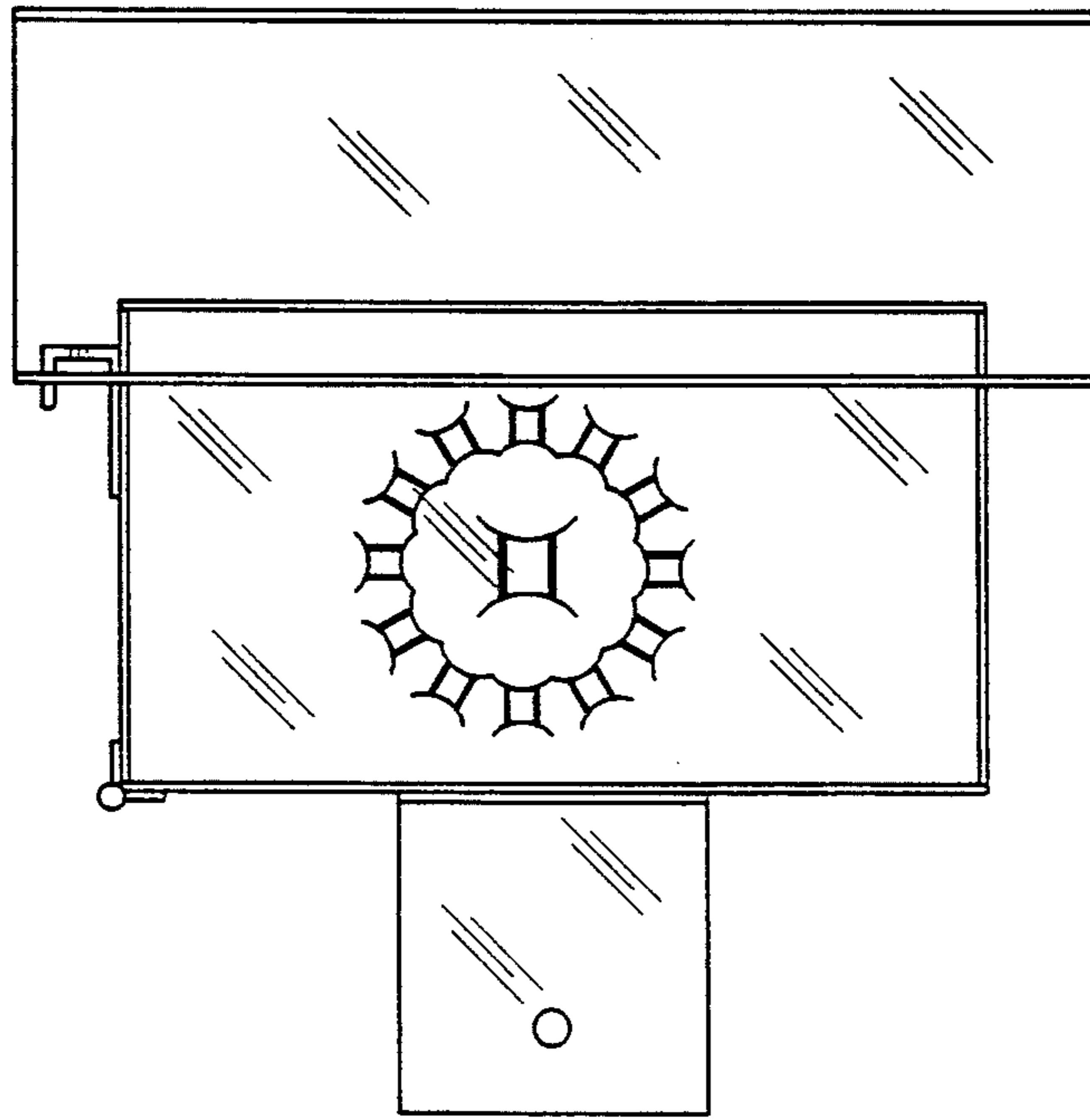


FIG. 4

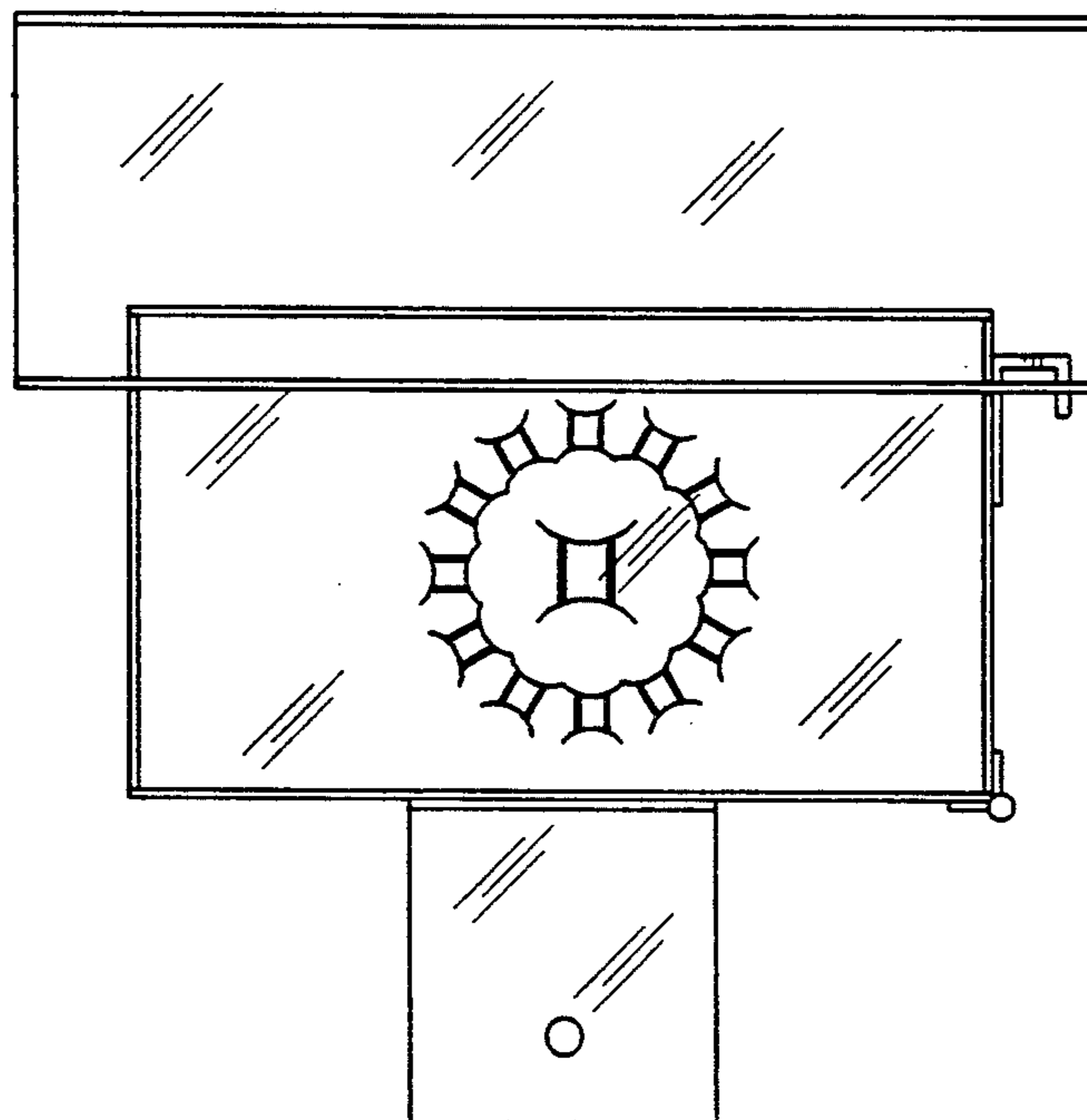


FIG. 5

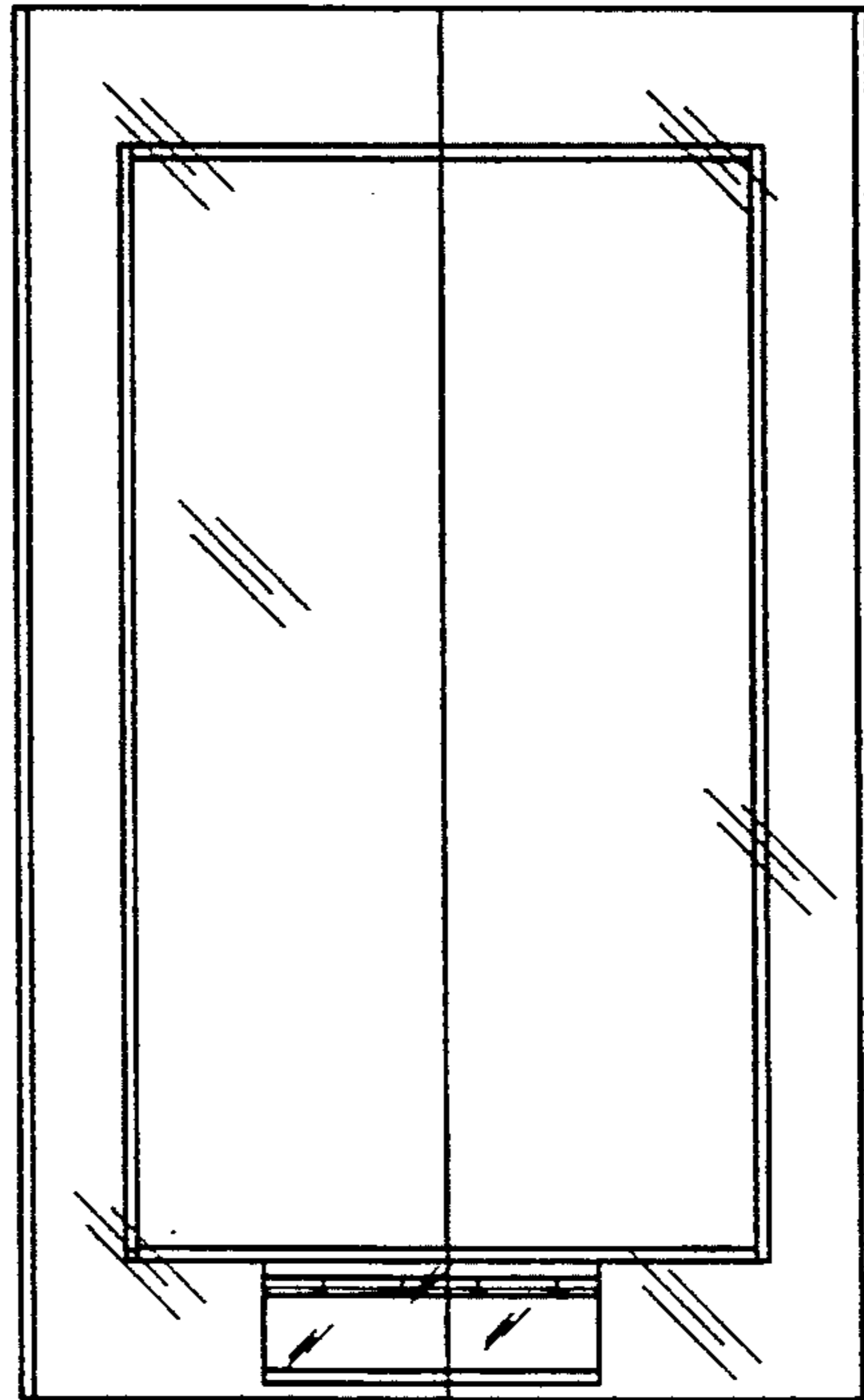


FIG. 6

