



US00D329466S

# United States Patent [19]

[11] Patent Number: **Des. 329,466**

Martin

[45] Date of Patent: **\*\* Sep. 15, 1992**

[54] **SUPPORT MODULE FOR MOBILE ADVERTISING DISPLAYS FOR SPORTING ARENAS**

[75] Inventor: **D. Jose M. G. Martin, Madrid, Spain**

[73] Assignee: **Dorna Sports Promotion, Inc., New York, N.Y.**

[\*\*] Term: **14 Years**

[21] Appl. No.: **541,245**

[22] Filed: **Jun. 19, 1990**

[30] **Foreign Application Priority Data**

Dec. 19, 1989 [ES] Spain ..... 120.732

[52] U.S. Cl. .... **D20/10**

[58] Field of Search ..... D20/10, 19, 39, 40, D20/41, 42, 43; 40/429, 430, 427, 431, 411, 414, 584, 606, 613, 614, 615

[56] **References Cited**

**U.S. PATENT DOCUMENTS**

1,374,921	4/1921	Houston .....	40/430
2,211,353	8/1940	Solkover .....	40/429
2,252,124	8/1941	Hanson .....	40/429
2,963,807	12/1960	Relph et al. ....	D20/10
3,475,845	11/1969	Estvan, Jr. ....	40/430

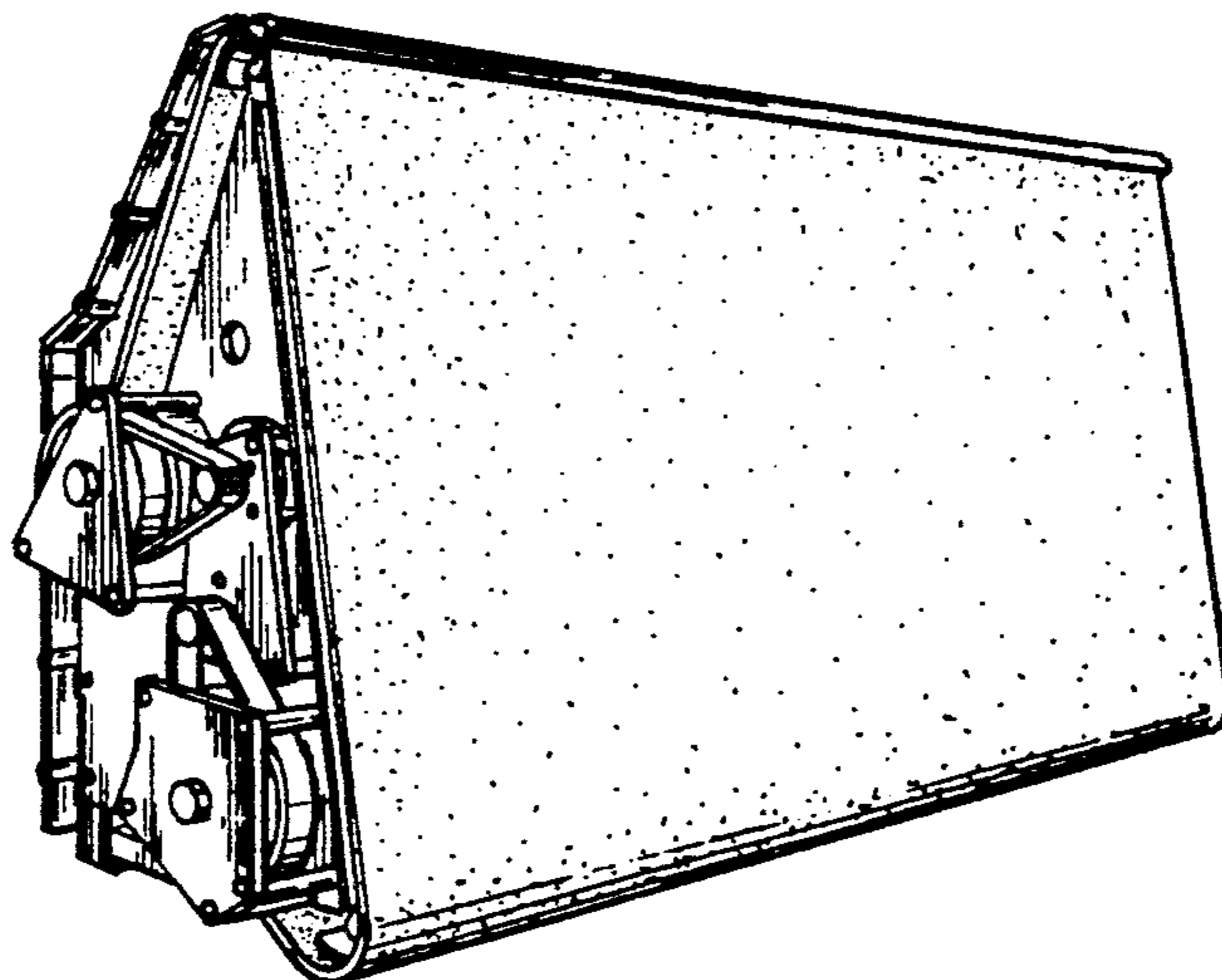
*Primary Examiner*—Wallace R. Burke  
*Assistant Examiner*—Marcus Jackson  
*Attorney, Agent, or Firm*—Helfgott & Karas

[57] **CLAIM**

The ornamental design for a support module for mobile advertising displays for sporting arenas, as shown and described.

**DESCRIPTION**

FIG. 1 is a front perspective view of a support module for mobile advertising displays for sporting arenas showing my new design; FIG. 2 is a rear perspective view thereof; and, FIG. 3 is a top perspective view thereof, with the rear panel shown in open condition.



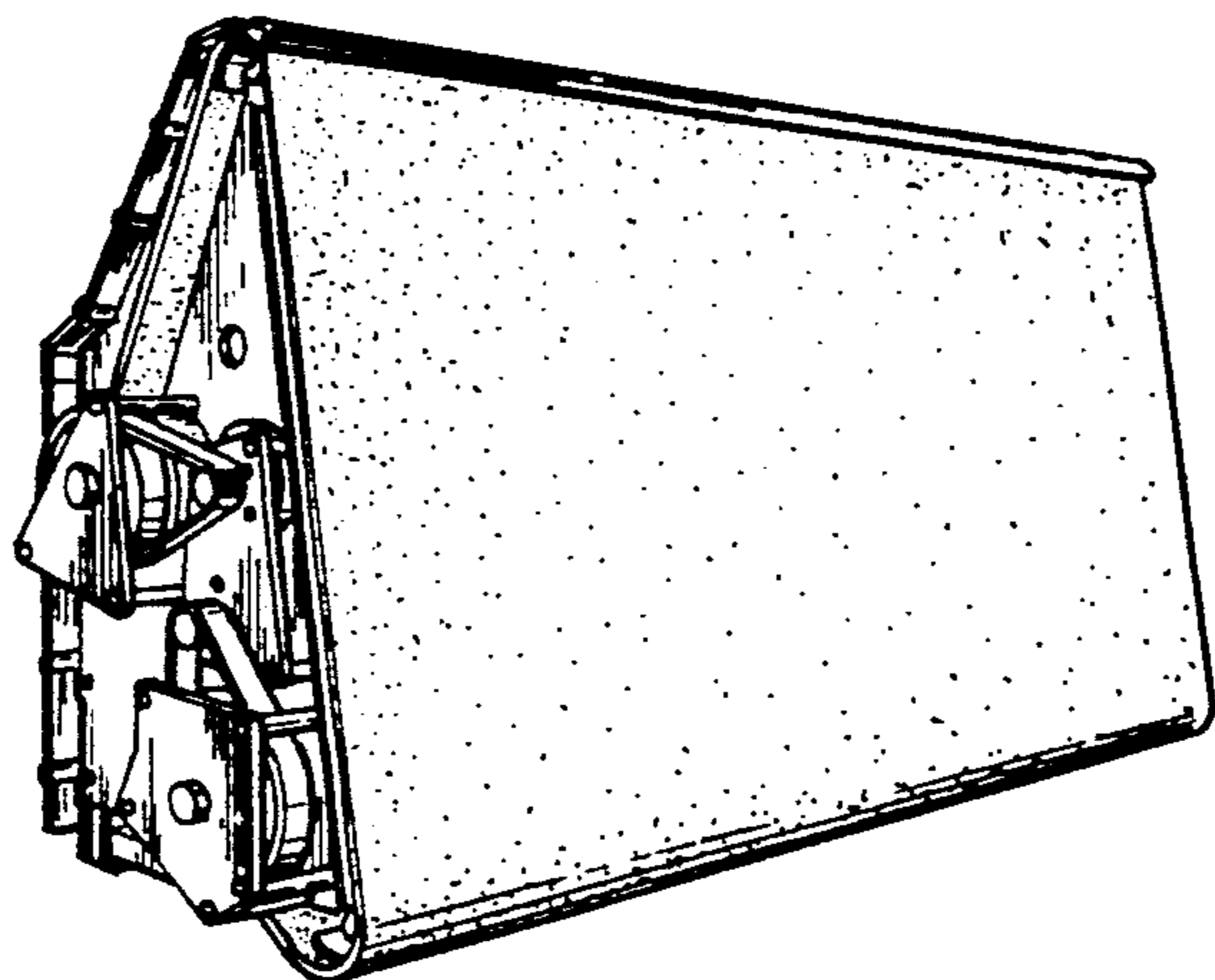


Fig. 1.

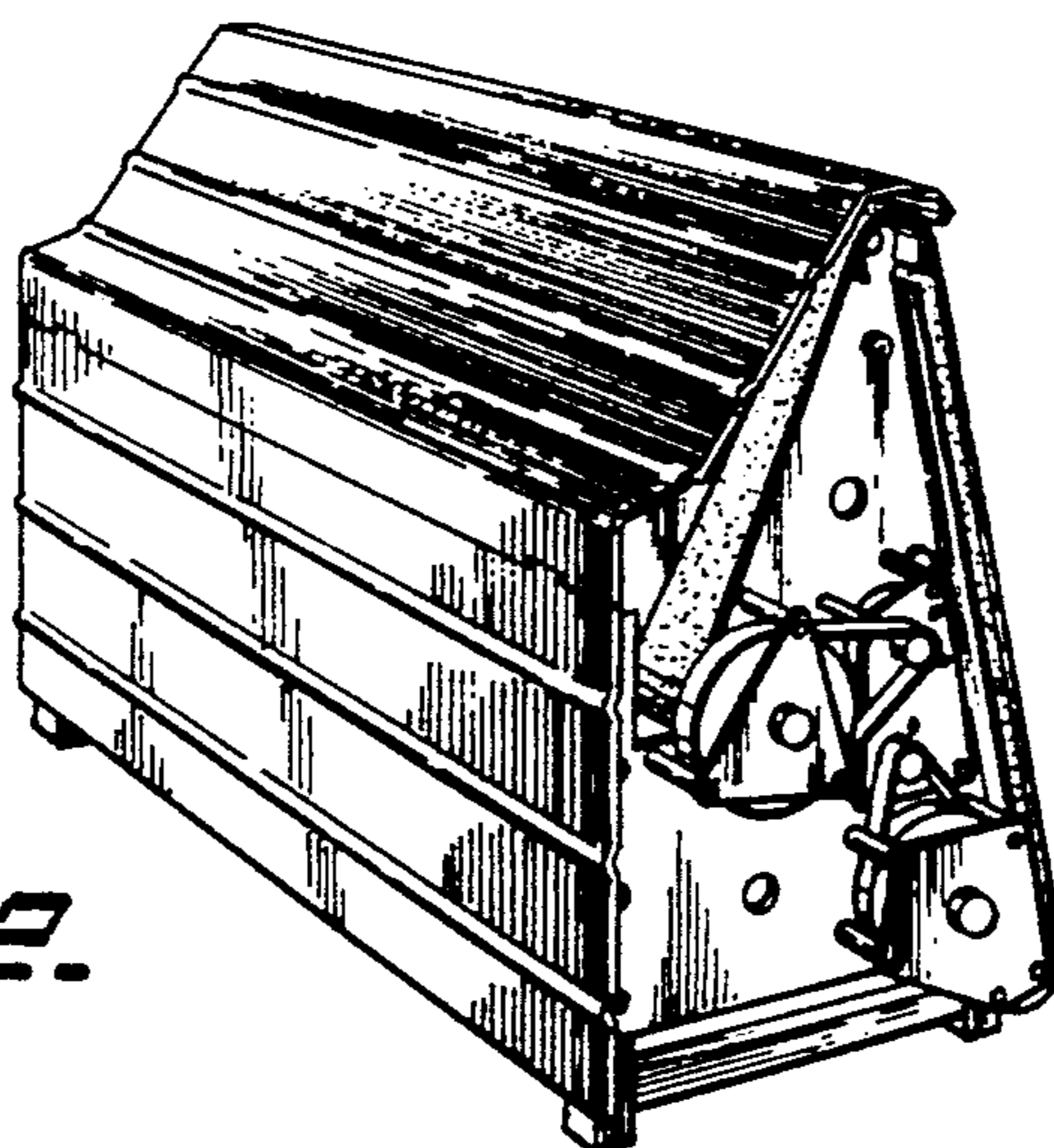


Fig. 2.

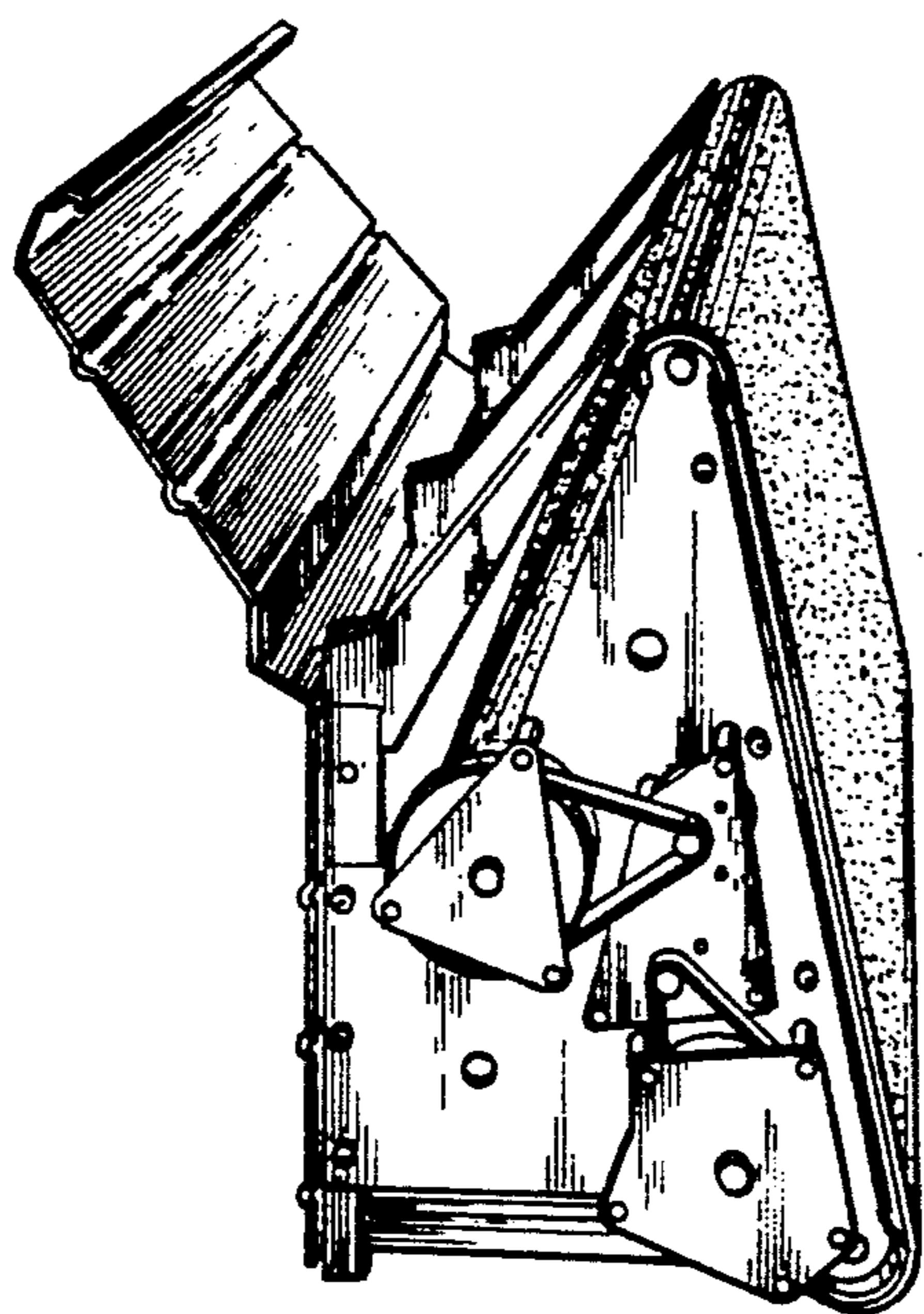


Fig. 3.