



US00D329465S

# United States Patent [19]

[11] Patent Number: **Des. 329,465**

**Kastanek**

[45] Date of Patent: **\*\* Sep. 15, 1992**

[54] **DRINKING STRAW DISPENSER**

[76] Inventor: **Allan J. Kastanek**, 5870 Ridge Creek Rd., Shoreview, Minn. 55413

[\*\*] Term: **14 Years**

[21] Appl. No.: **487,815**

[22] Filed: **Mar. 5, 1990**

[52] U.S. Cl. .... **D20/8**

[58] Field of Search ..... **D20/8, 1, 2, 3, 4, 9, D20/5, 6, 7; 221/281, 150, 256, 195; 194/255, 350; D7/635; D6/515**

997,149 7/1911 Mosteller ..... 221/281  
 4,682,709 7/1987 Brandes et al. .... D20/5 X  
 4,923,090 5/1990 Rockola et al. .... D20/5 X

*Primary Examiner*—A. Hugo Word  
*Assistant Examiner*—Paula A. Mortimer  
*Attorney, Agent, or Firm*—D. L. Tschida

### [57] CLAIM

The ornamental design for a drinking straw dispenser, as shown and described.

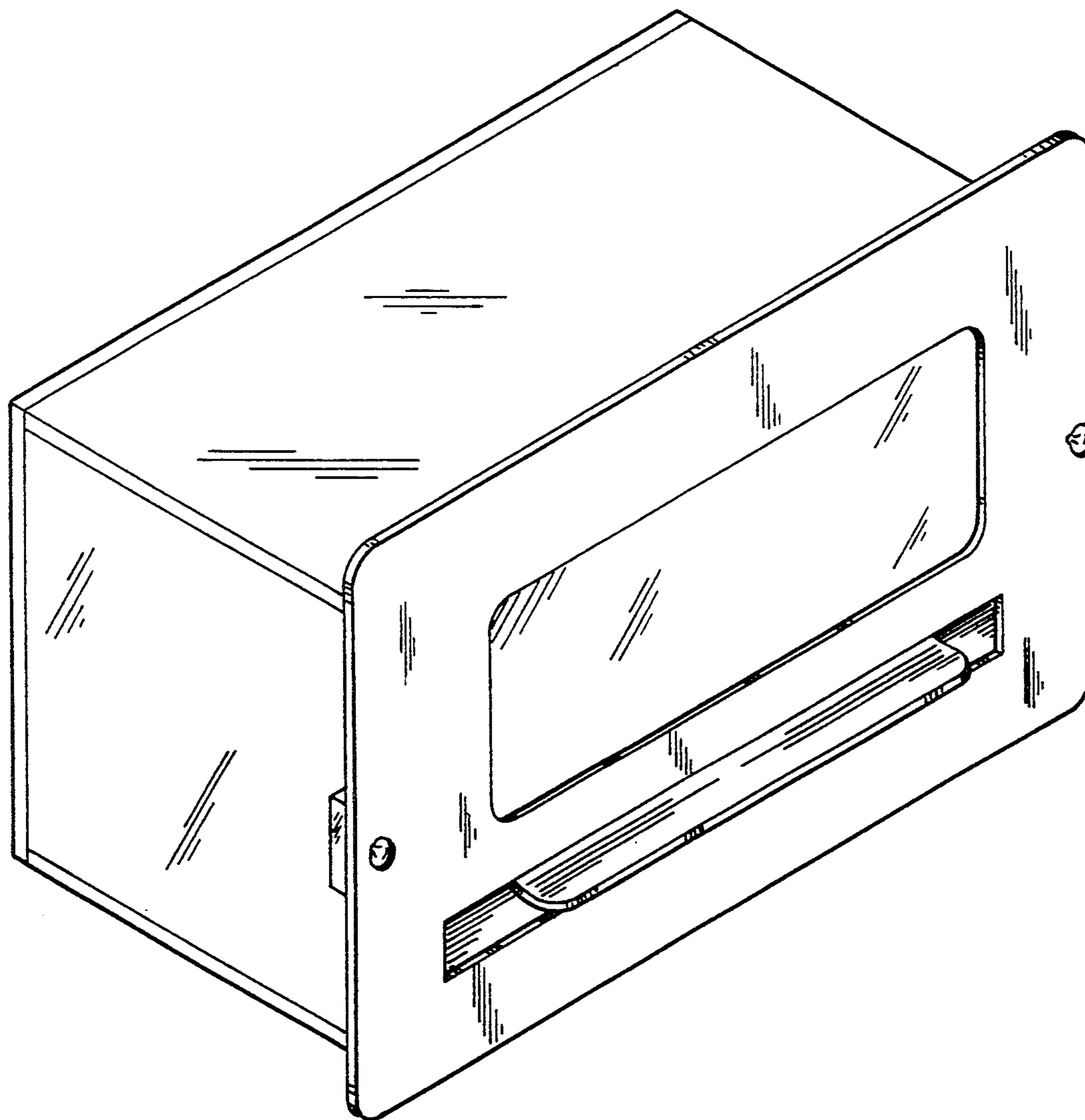
### DESCRIPTION

FIG. 1 is a front perspective drawing of a drinking straw dispenser showing my new design;  
 FIG. 2 is a right side elevational view, the opposite side is a mirror image thereof;  
 FIG. 3 is a top plan view thereof;  
 FIG. 4 is a bottom plan view thereof; and,  
 FIG. 5 is a rear plan view thereof.

[56] **References Cited**

**U.S. PATENT DOCUMENTS**

D. 204,329 4/1966 Simmons ..... D20/2  
 D. 229,344 11/1973 Ohno ..... D20/4  
 D. 276,924 12/1984 Bellis ..... D20/9



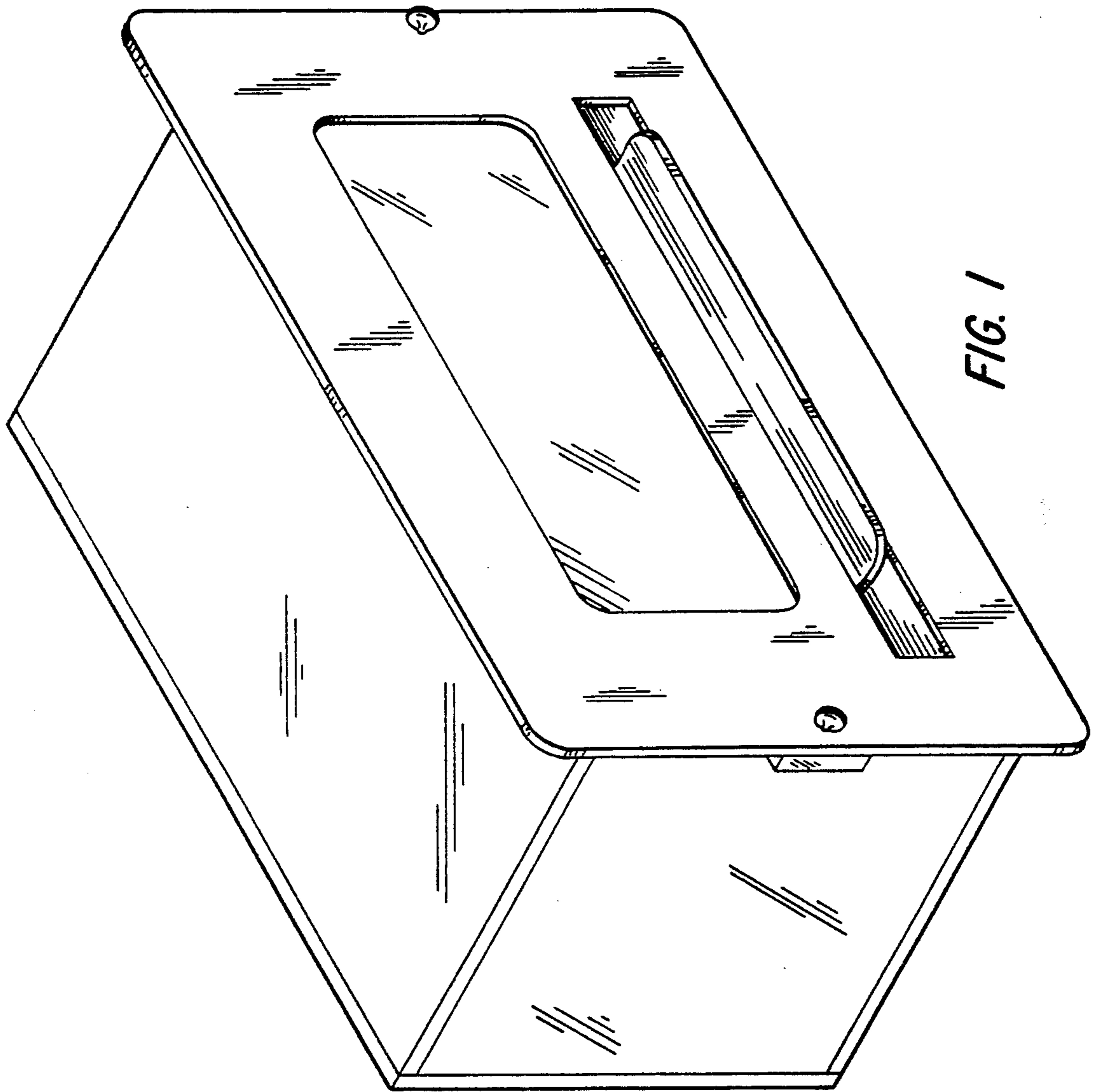
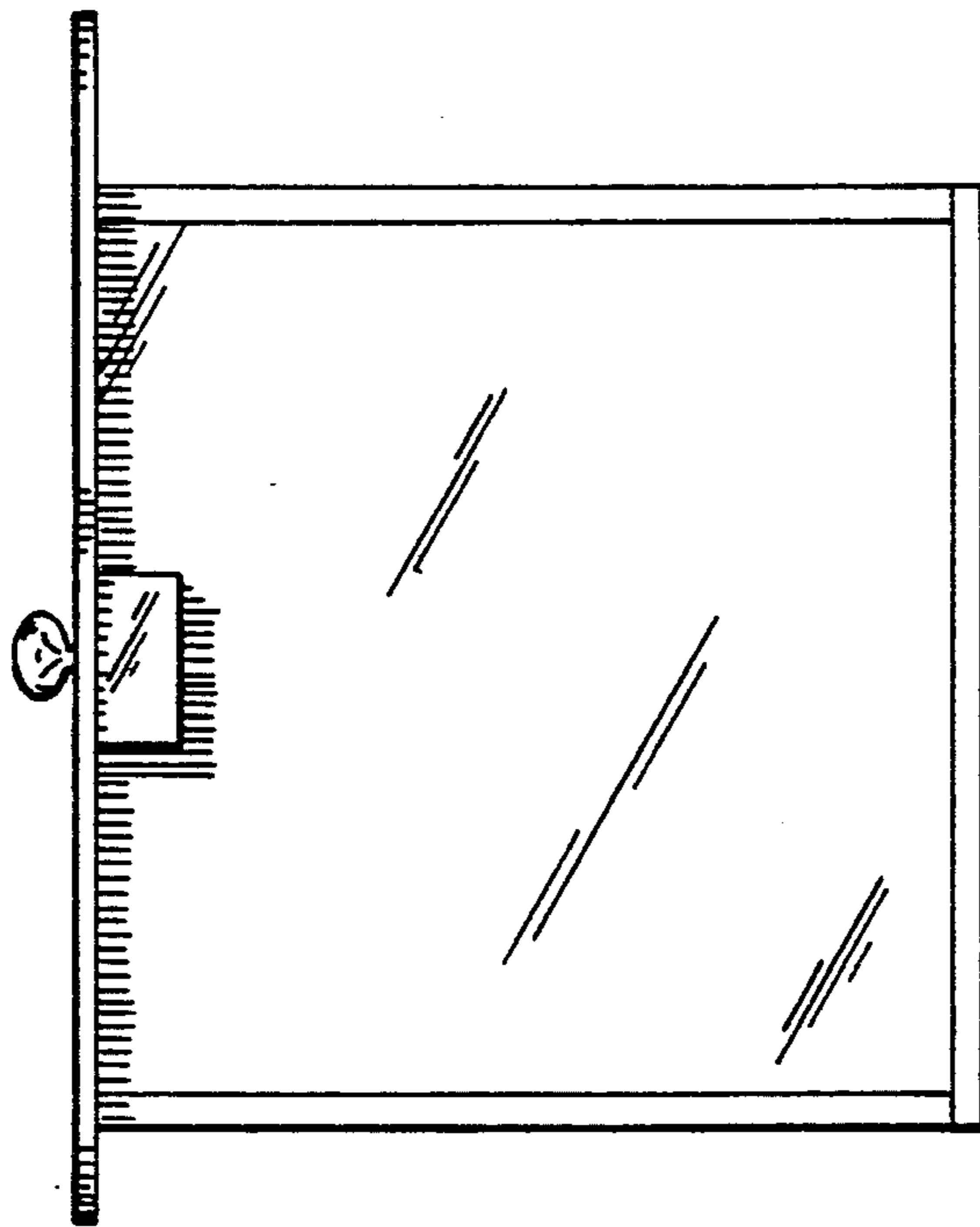


FIG. 1



*FIG. 2*

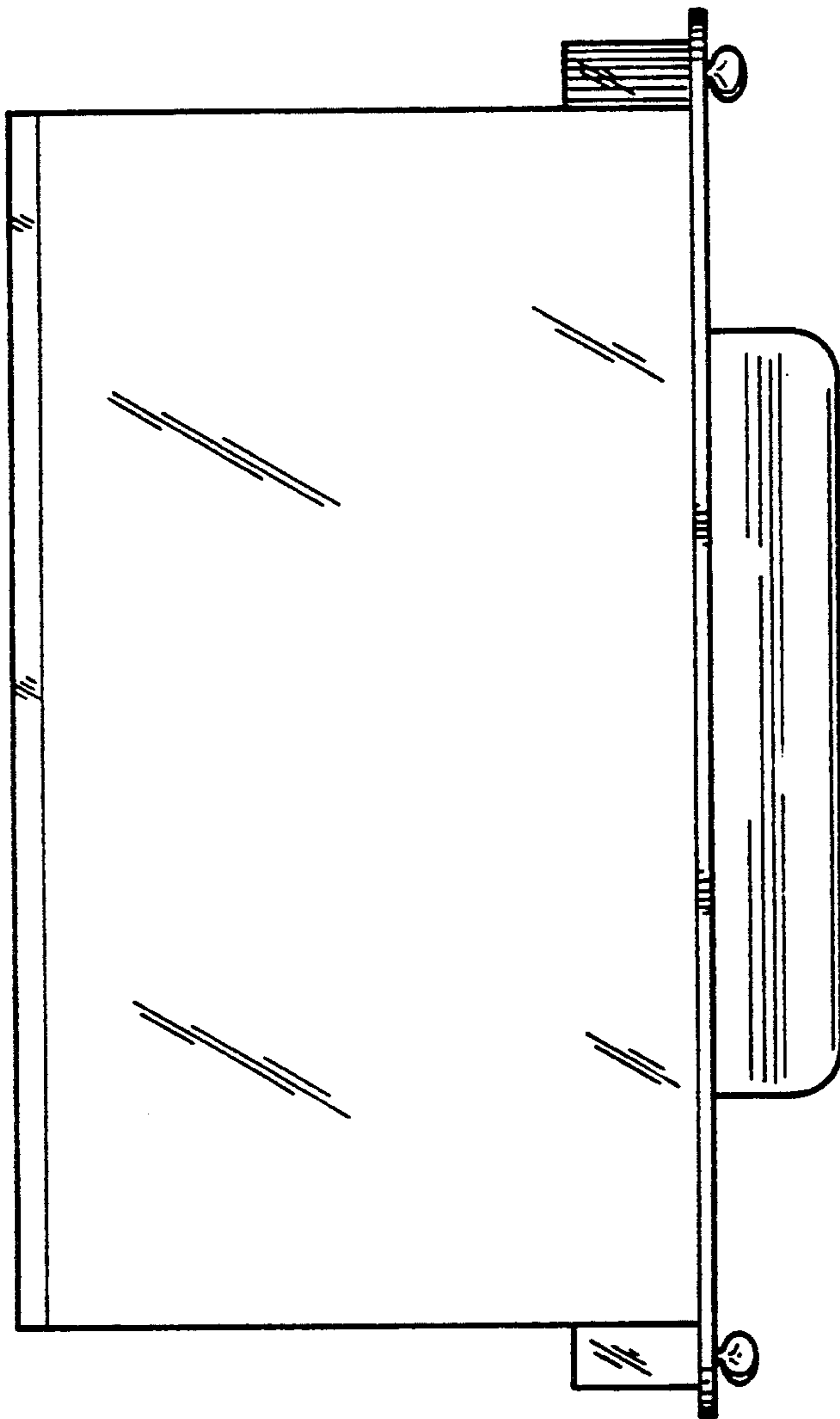


FIG. 3

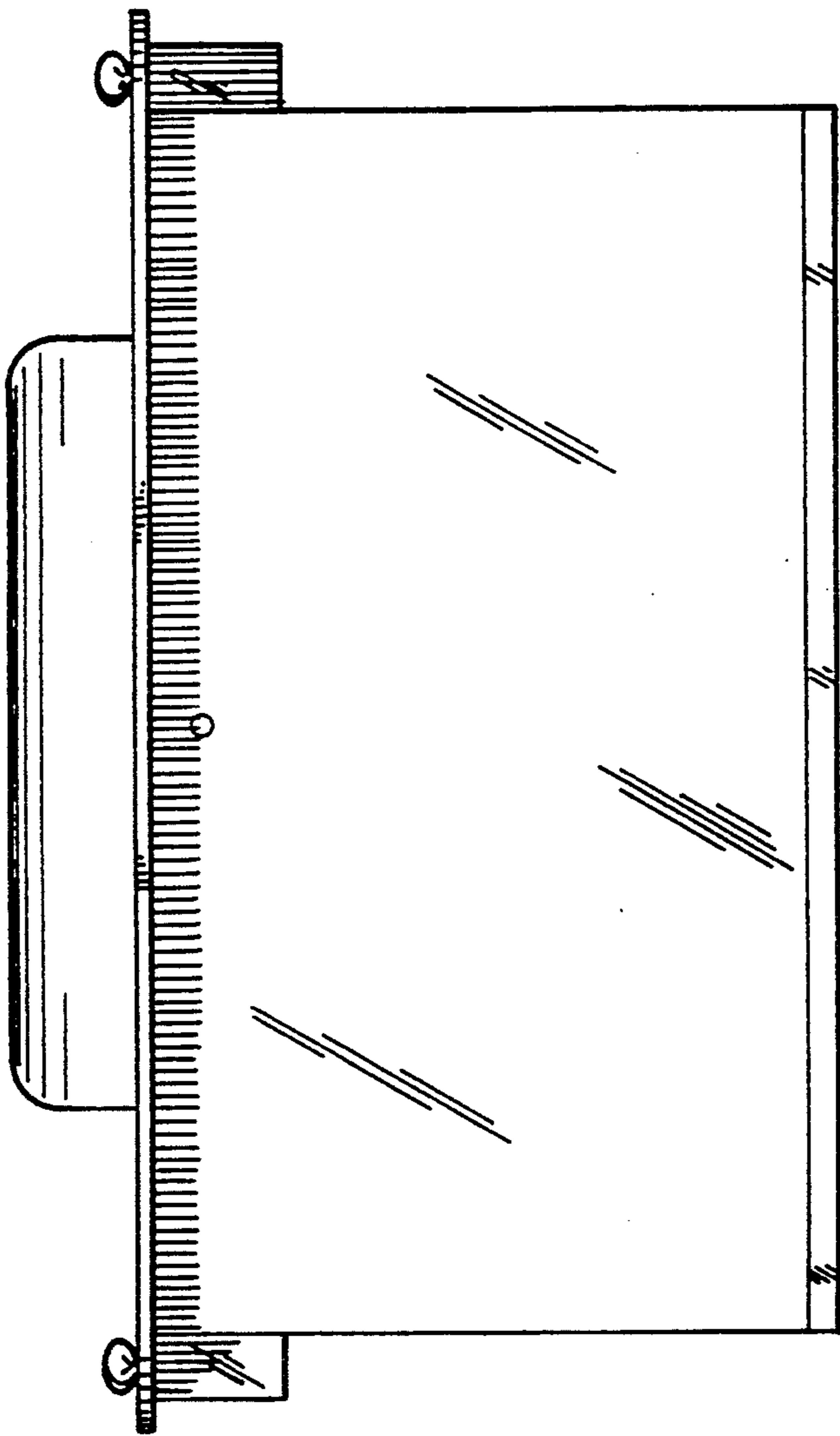


FIG. 4

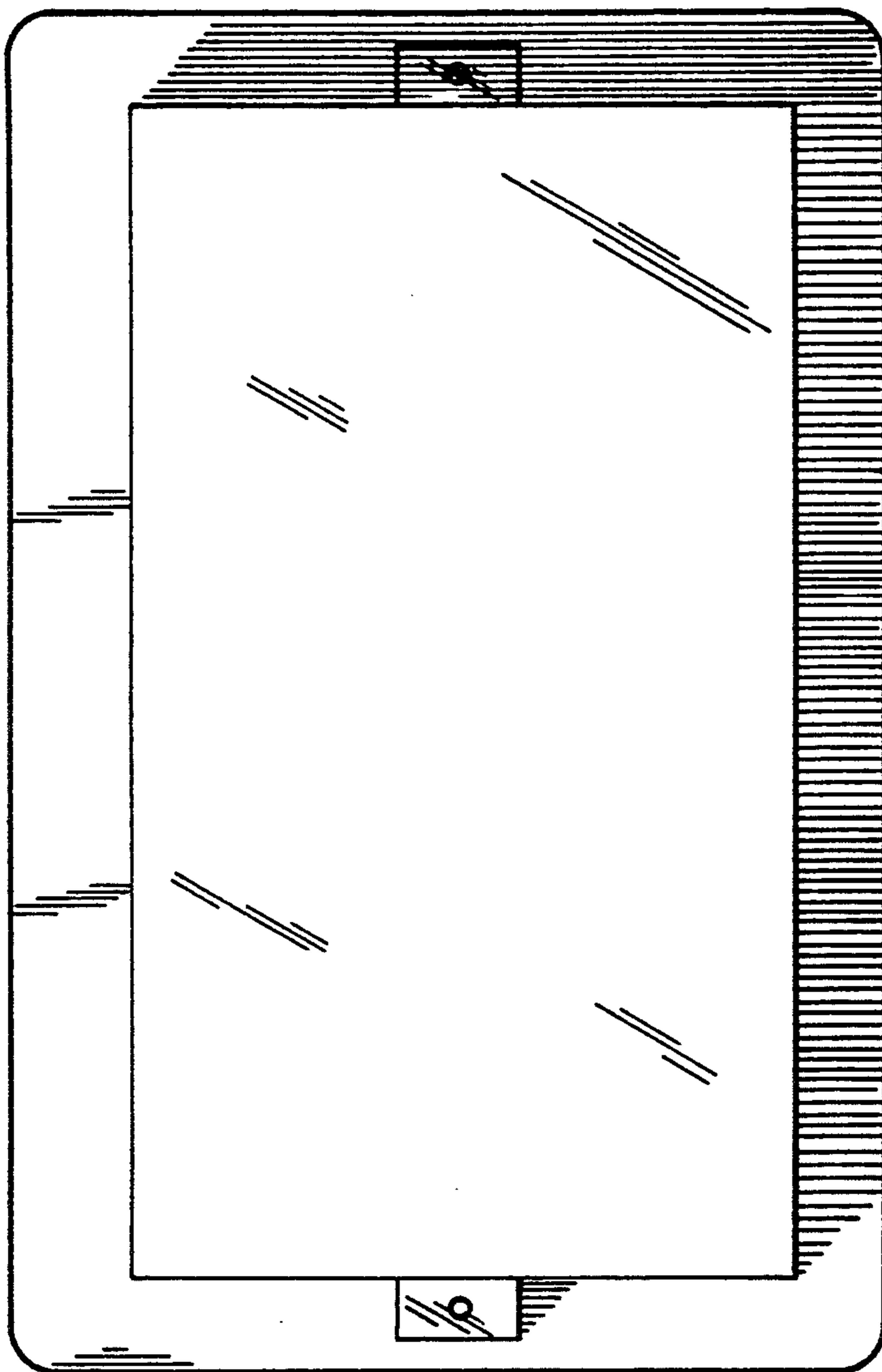


FIG. 5