



US00D329464S

United States Patent [19]

[11] Patent Number: **Des. 329,464**

Hu

[45] Date of Patent: **** Sep. 15, 1992**

[54] **PAPER CLIP DISPENSER**

[75] Inventor: **James Hu, Taipei, Taiwan**

[73] Assignee: **Pro Eton Corporation, Taiwan**

[**] Term: **14 Years**

[21] Appl. No.: **634,304**

[22] Filed: **Dec. 27, 1990**

[52] U.S. Cl. **D19/75; D19/65; D19/70; D19/95**

[58] Field of Search **D19/65, 70, 75, 76, D19/77, 86, 92, 95, 99, 100; 206/338, 39, 39.1-39.7, 214, 371; 221/71, 72, 74, 312 C**

[56] **References Cited**

U.S. PATENT DOCUMENTS

- D. 162,059 2/1951 Morris D19/70 X
- D. 231,271 4/1974 Finkel D10/75
- D. 273,309 4/1984 Evenson D19/75
- D. 289,662 5/1987 Wolff D19/75
- D. 292,354 10/1987 Seltzer et al. D19/75

- D. 308,892 6/1990 Dahle D19/75
- D. 310,105 8/1990 Murphy et al. D19/75
- D. 316,566 4/1991 Sun D19/75
- D. 320,620 10/1991 Levy D19/86 X
- 3,061,080 10/1962 Stephen 206/338
- 3,750,868 8/1973 Cooper 206/338

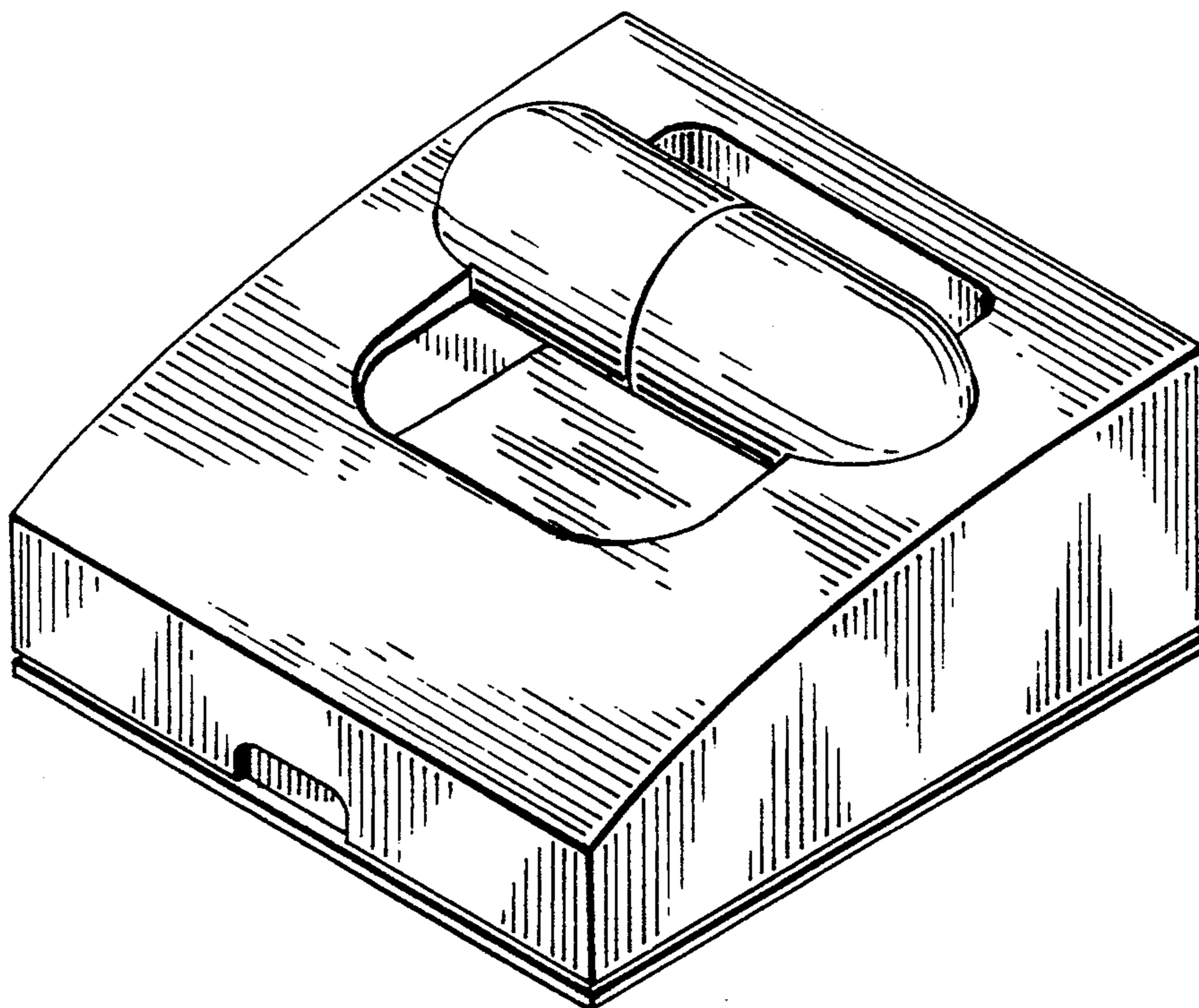
Primary Examiner—Nelson C. Holtje
Assistant Examiner—Martha Thompson
Attorney, Agent, or Firm—Wenderoth, Lind & Ponack

[57] **CLAIM**

The ornamental design for a paper clip dispenser, as shown and described.

DESCRIPTION

FIG. 1 is a top, right front perspective view of a paper clip dispenser showing my new design; FIG. 2 is a front elevational view thereof; FIG. 3 is a rear elevational view thereof; FIG. 4 is a left side elevational view thereof; FIG. 5 is a right side elevational view thereof; FIG. 6 is a top plan view thereof; and, FIG. 7 is a bottom plan view thereof.



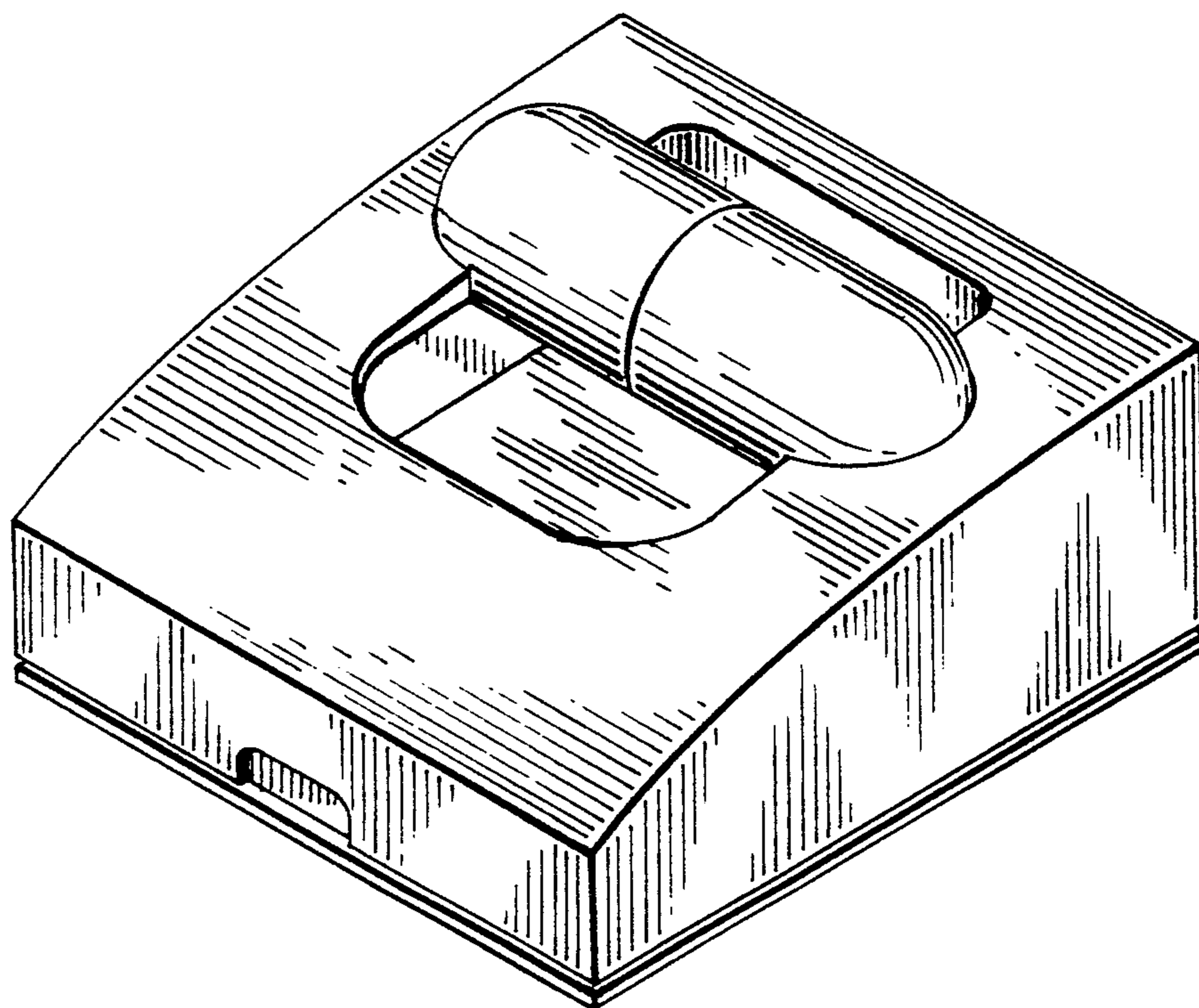


FIG. 1

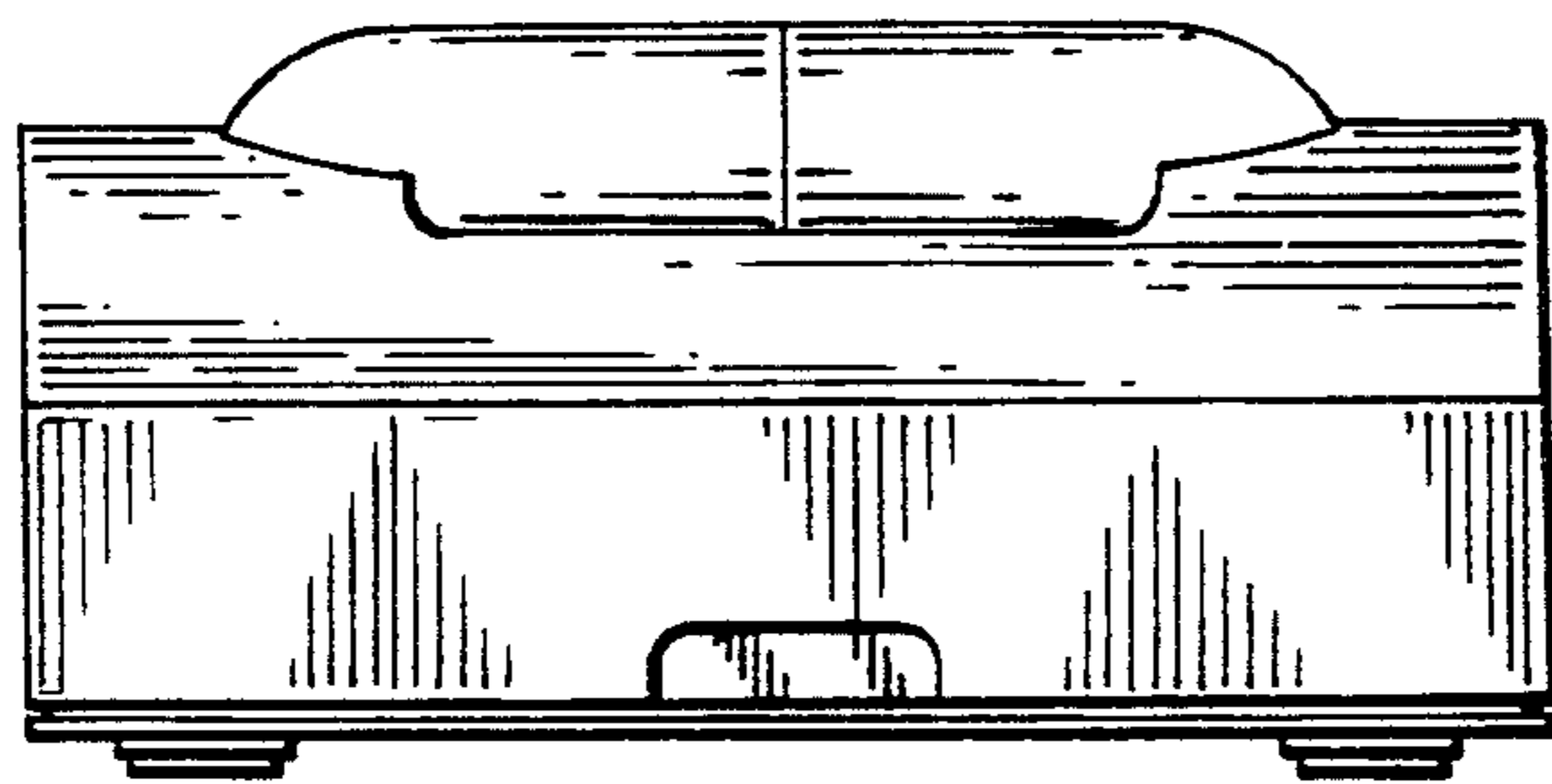


FIG. 2

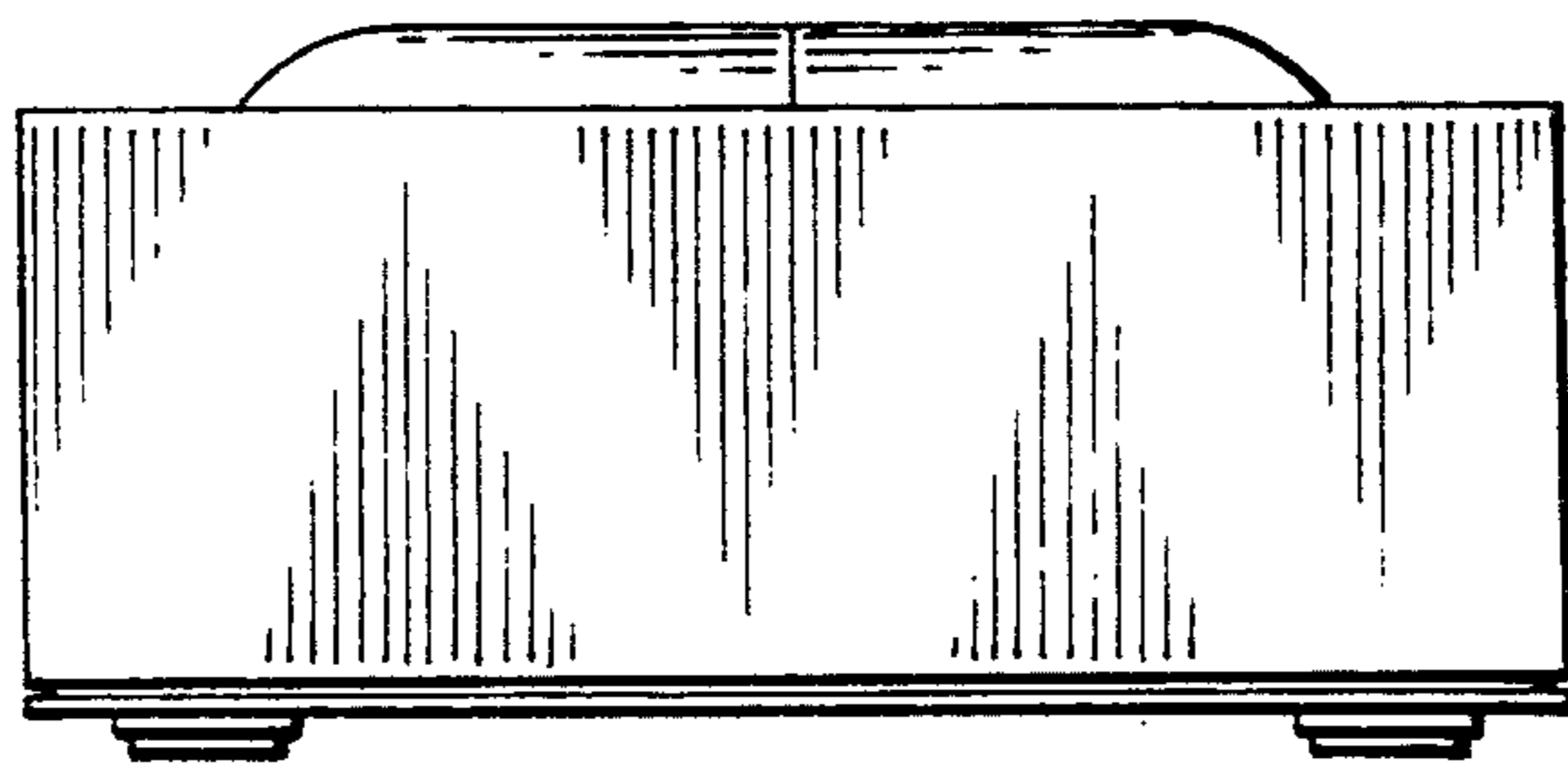


FIG. 3

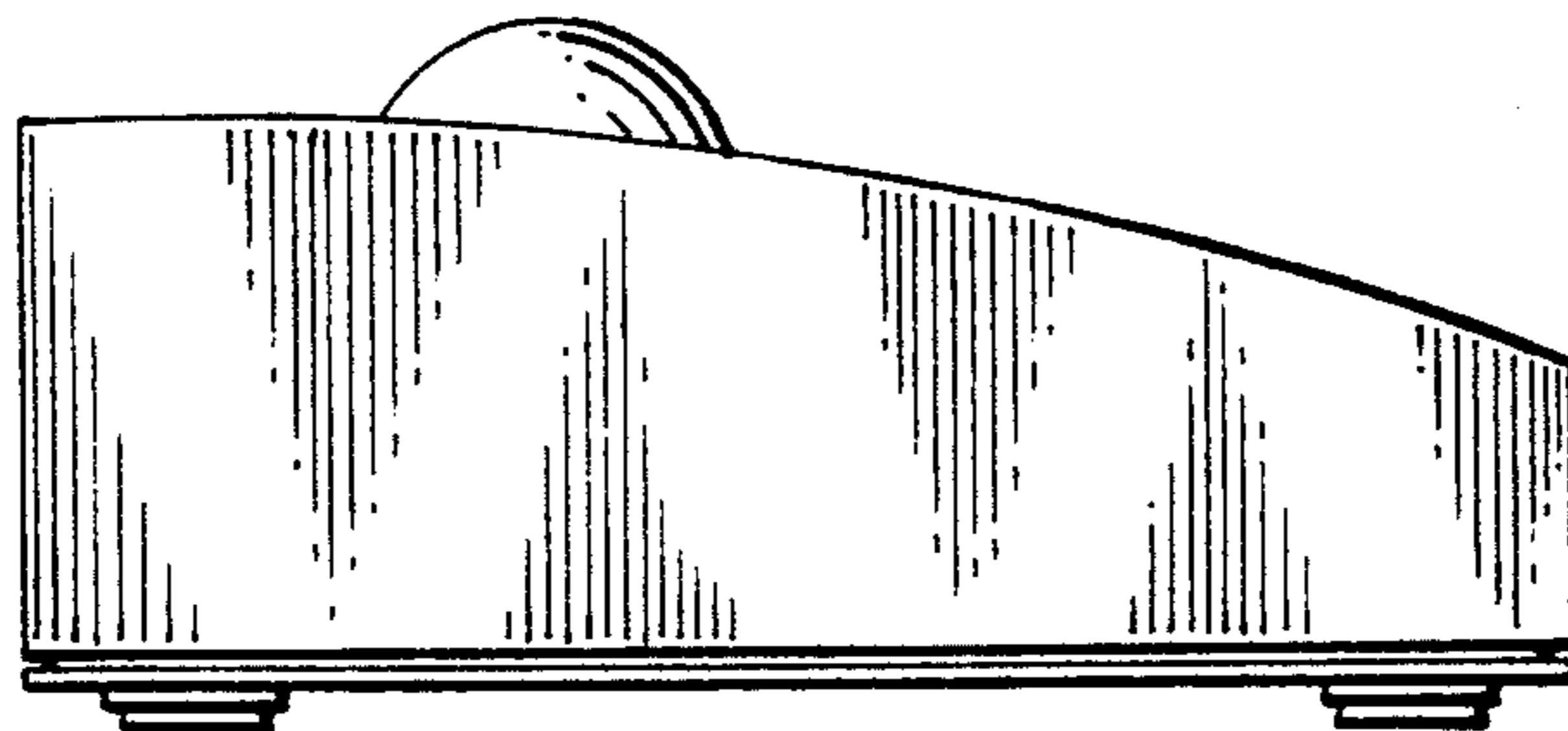


FIG. 4

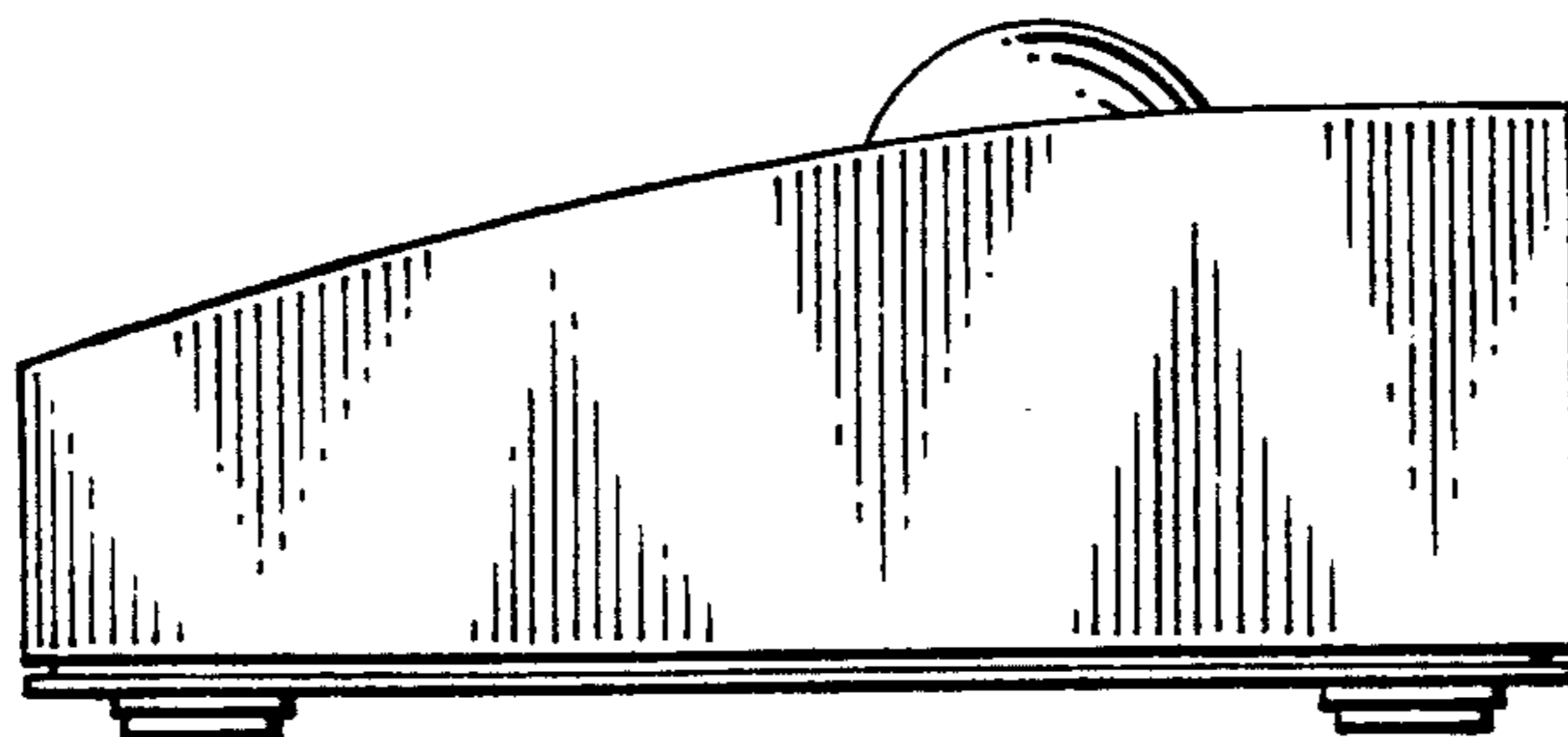


FIG. 5

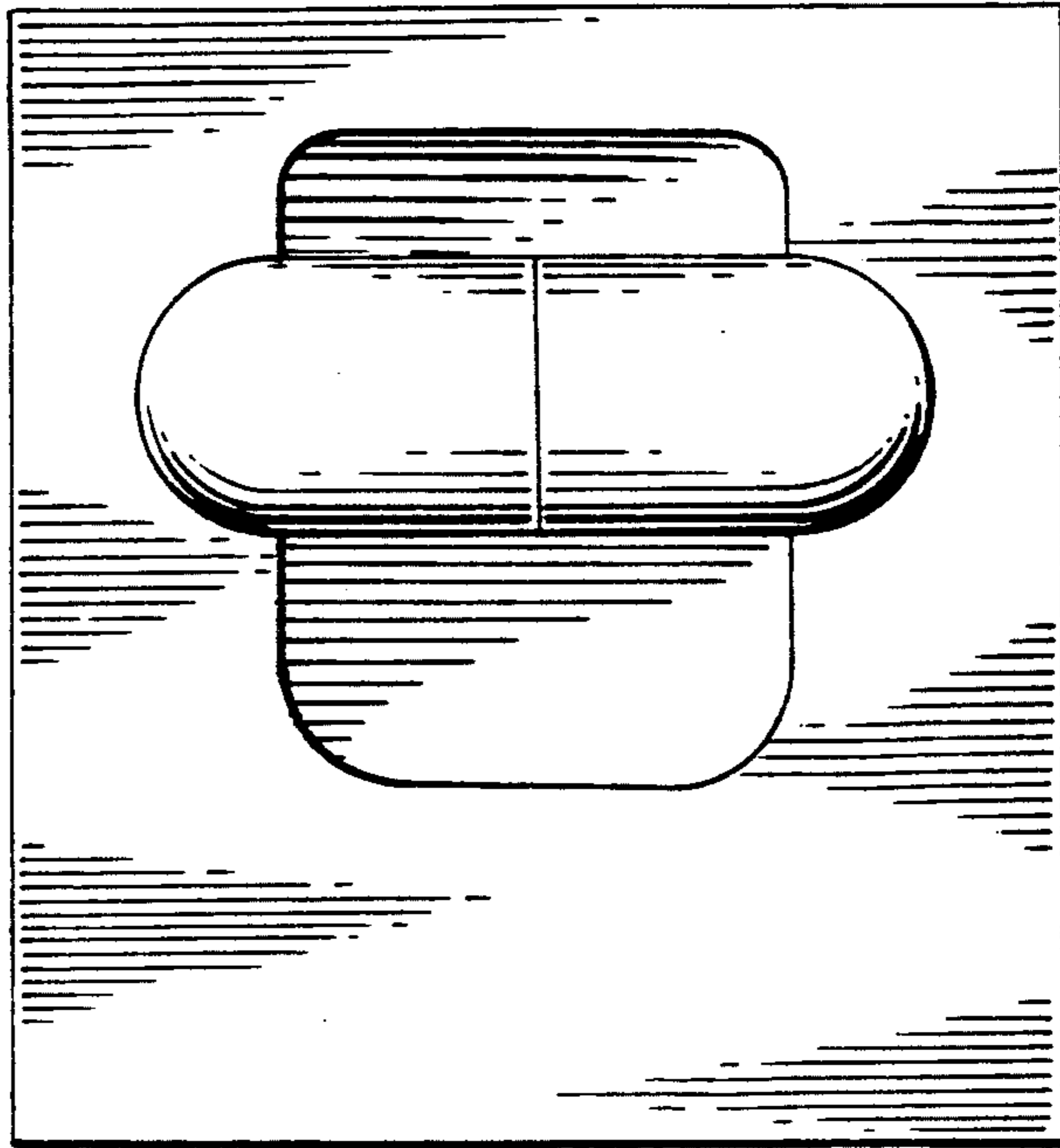


FIG. 6

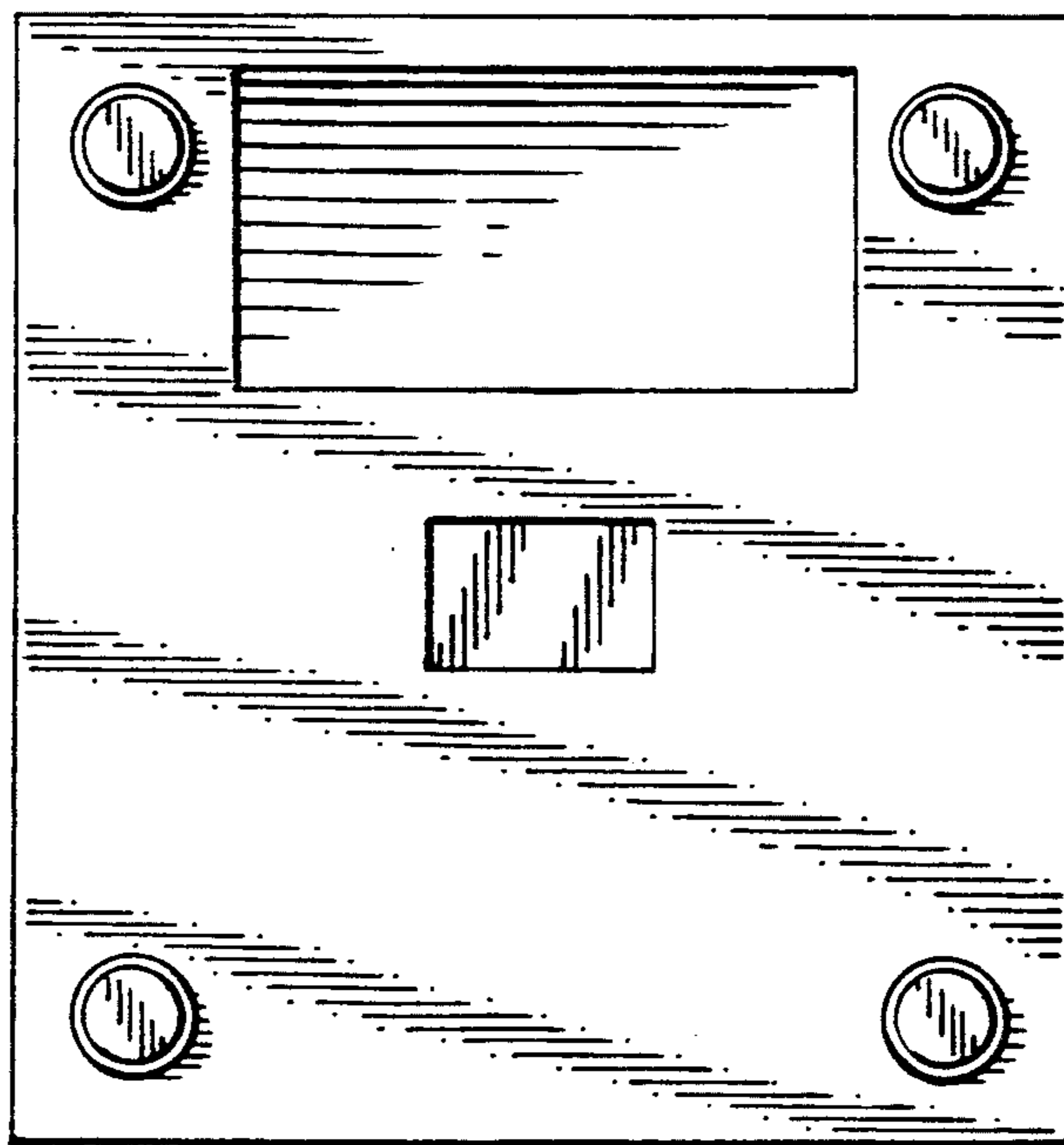


FIG. 7