



US00D329458S

# United States Patent [19]

[11] Patent Number: **Des. 329,458**

Ellis

[45] Date of Patent: **\*\* Sep. 15, 1992**

[54] **WRITING INSTRUMENT**

[76] Inventor: **Mathieu J. Ellis**, 4601 E. 18th St.,  
No. 121, Vancouver, Wash. 98671

[\*\*] Term: **14 Years**

[21] Appl. No.: **593,630**

[22] Filed: **Oct. 5, 1990**

[52] U.S. Cl. .... **D19/46; D19/43;**  
**D19/49; D19/57**

[58] Field of Search ..... **D19/35, 36, 41-51,**  
**D19/54-58, 81-85; 401/6, 88, 243, 195, 209**

[56] **References Cited**

**U.S. PATENT DOCUMENTS**

D. 195,924	8/1963	Perlmutter	.....	D19/45
D. 207,563	5/1967	Bailey, Jr.	.....	D19/45
D. 232,267	7/1974	Zepell	.....	D19/46
D. 276,479	11/1984	Mori	.....	D19/44 X
D. 277,296	1/1985	Frazier	.....	D19/44 X
D. 305,341	1/1990	Dolan, Sr.	.....	D19/41
D. 322,811	12/1991	Isern	.....	D19/36
4,815,880	3/1989	Sekiguchi	.....	401/6
5,061,104	10/1991	Florjancic	.....	401/195

*Primary Examiner*—Nelson C. Holtje

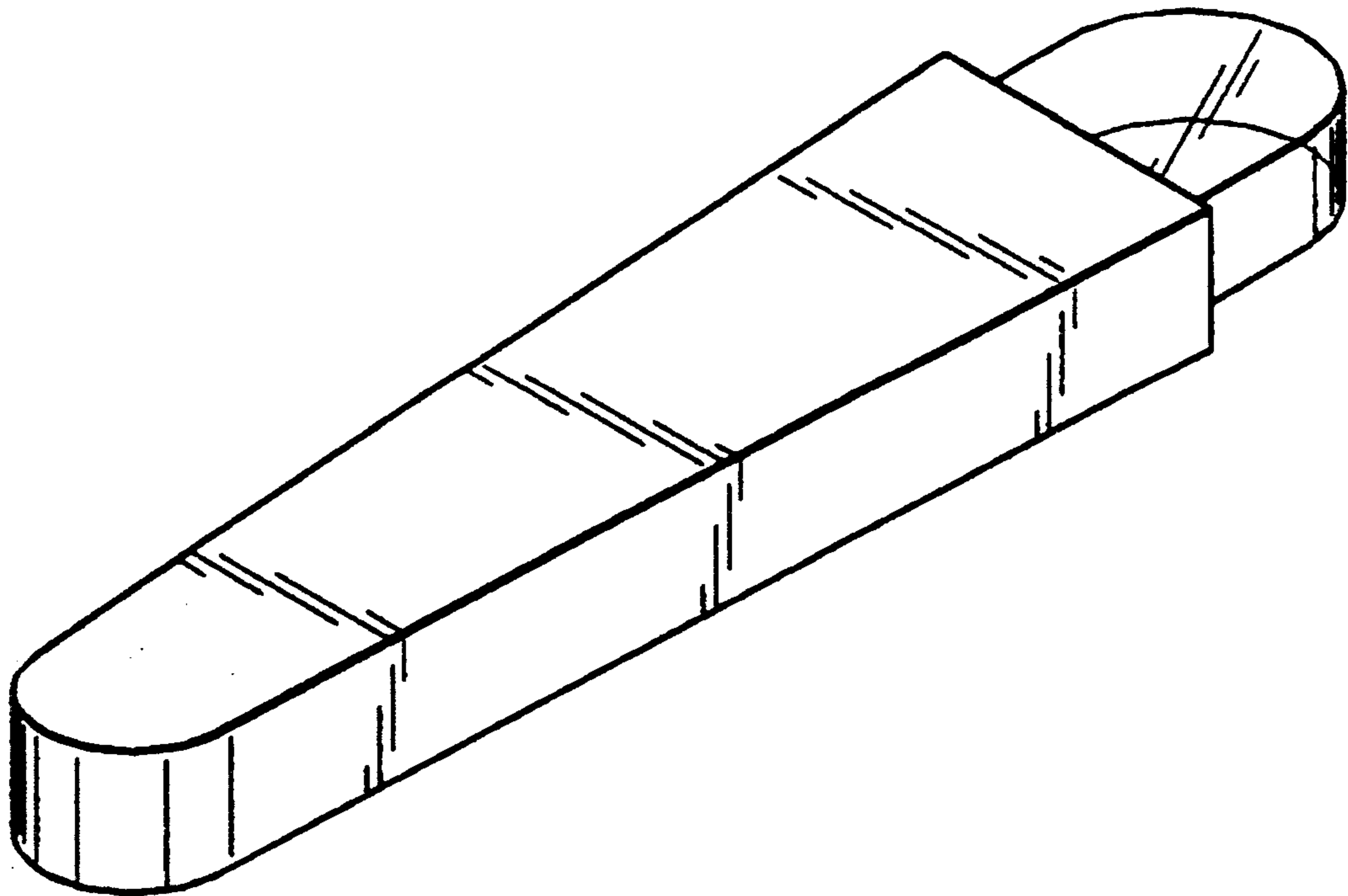
*Assistant Examiner*—Martha Thompson  
*Attorney, Agent, or Firm*—Harness, Dickey & Pierce

[57] **CLAIM**

The ornamental design for a writing instrument, as shown and described.

**DESCRIPTION**

FIG. 1 is a bottom, right front perspective view of a writing instrument showing my new design;  
 FIG. 2 is a front elevational view, the rear view being a mirror image thereof;  
 FIG. 3 is a right side elevational view, the left side being a mirror image thereof;  
 FIG. 4 is a top plan view;  
 FIG. 5 is a front elevational view with the cap member in a stored position, the rear view being a mirror image thereof;  
 FIG. 6 is a bottom, right front perspective view with the cap member removed for convenience of illustration;  
 FIG. 7 is a front elevational view of FIG. 6;  
 FIG. 8 is a right side elevational view of FIG. 6, the left side being a mirror image thereof; and,  
 FIG. 9 is a top plan view of FIG. 6.  
 FIGS. 4 and 9 have been drawn to an enlarged scale with respect to FIGS. 1 through 3 and 5 through 8.



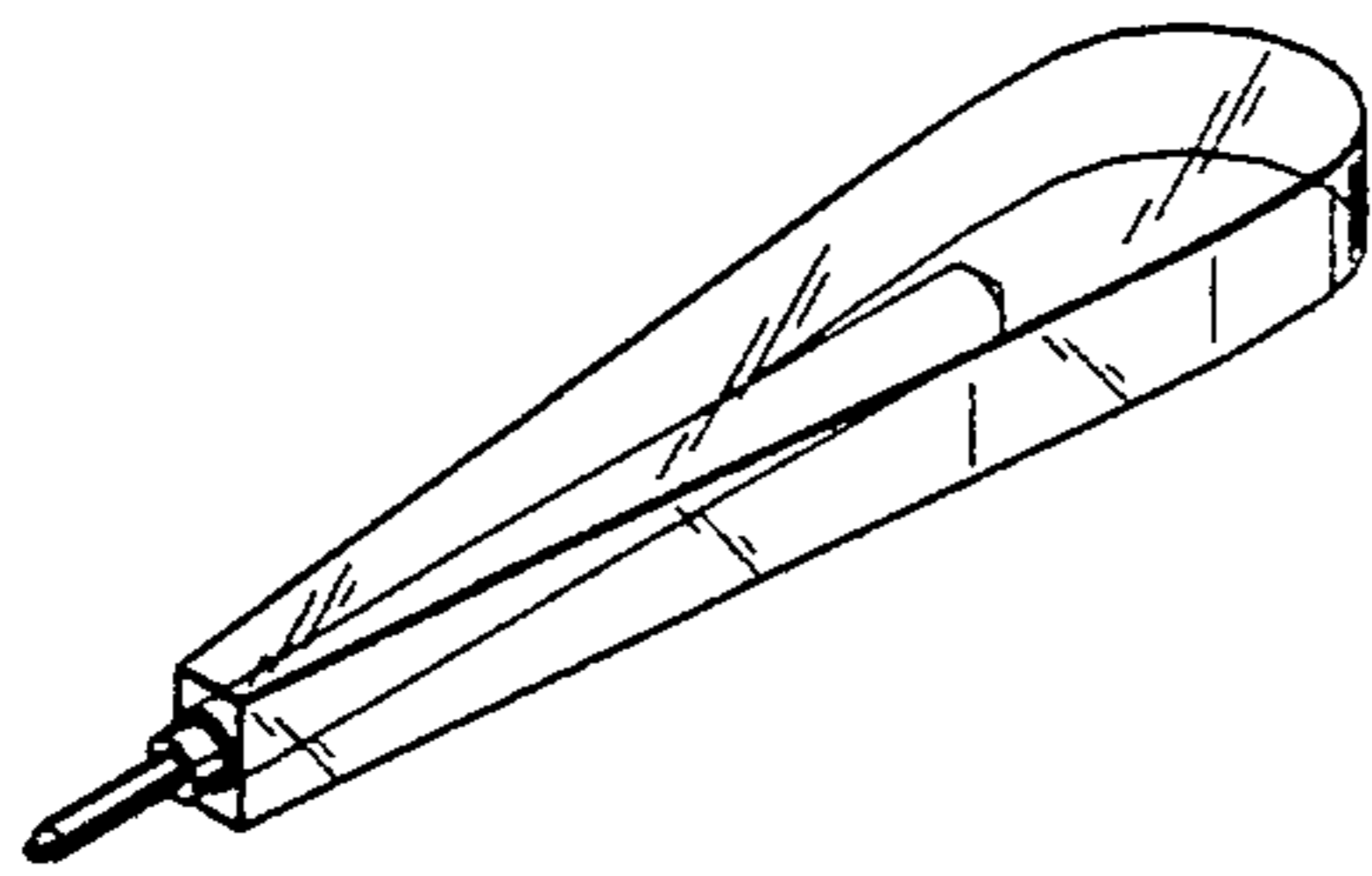


FIG. 6

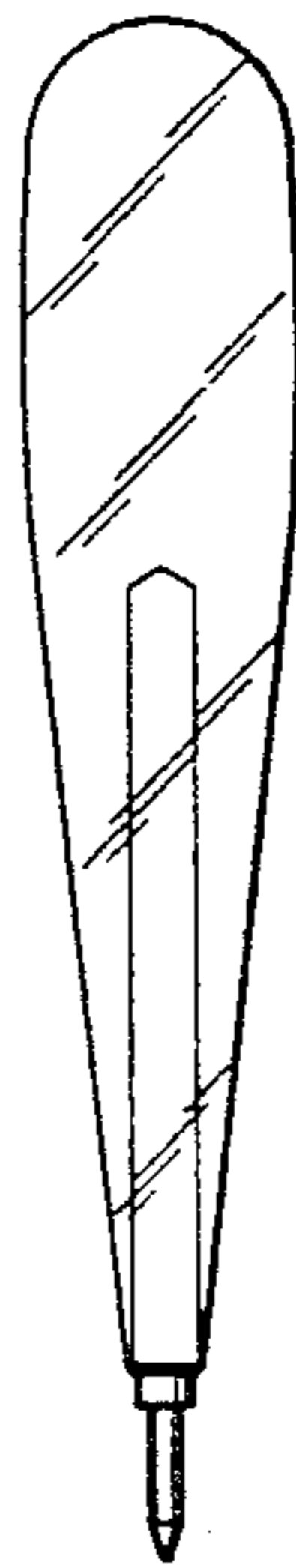


FIG. 7



FIG. 8



FIG. 9

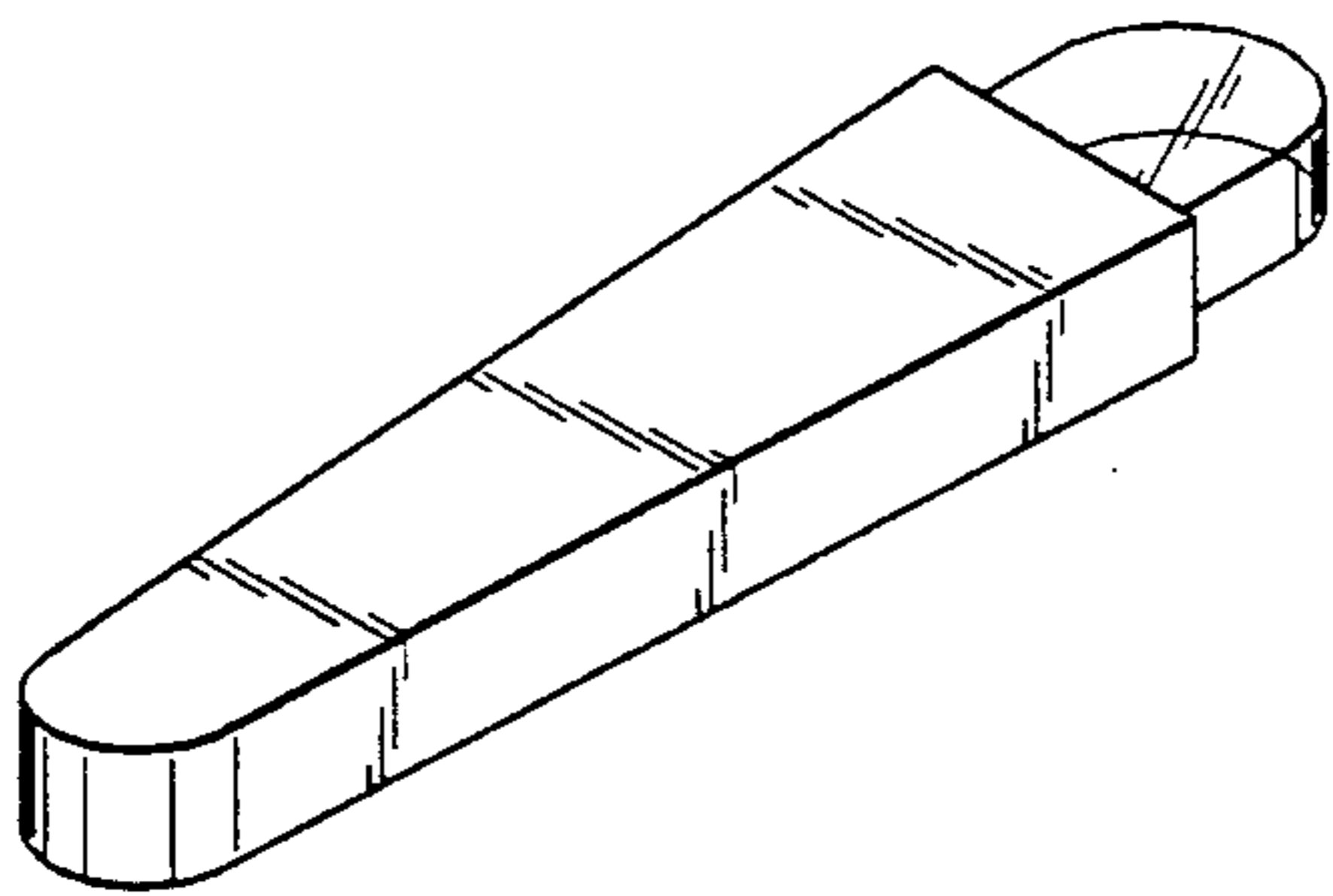


FIG. 1

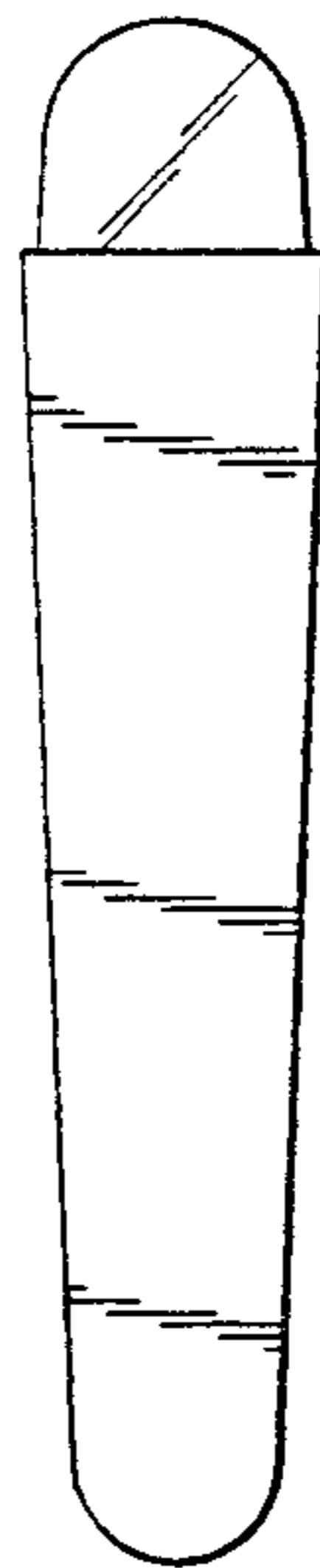


FIG. 2



FIG. 3

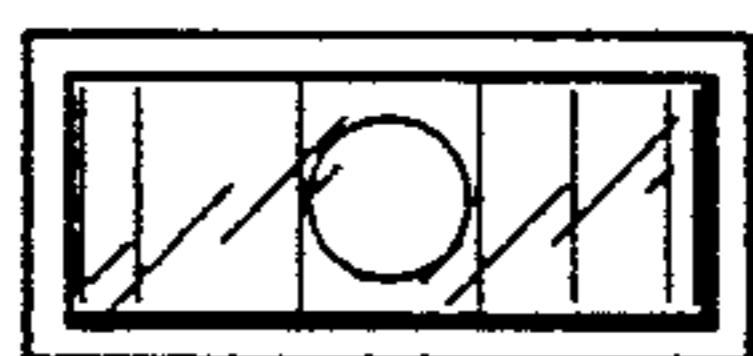


FIG. 4

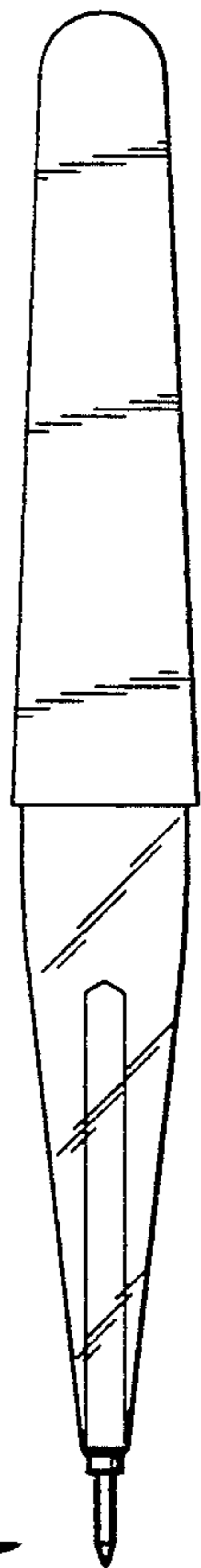


FIG. 5