



US00D329448S

United States Patent [19]

[11] Patent Number: **Des. 329,448**

Lo

[45] Date of Patent: **** Sep. 15, 1992**

[54] **TRANSPARENCY VIEWER**

4,736,538 4/1988 Pierce et al. 40/152
4,756,616 7/1988 Min et al. 353/DIG. 5

[76] Inventor: **Allen K. W. Lo**, 5022 Hidden Branches Dr., Dunwoody, Ga. 30338

FOREIGN PATENT DOCUMENTS

[*] Notice: The portion of the term of this patent subsequent to Jul. 23, 2008 has been disclaimed.

0793480 4/1958 United Kingdom 40/152
2092329 8/1982 United Kingdom 40/159.2

[**] Term: **14 Years**

Primary Examiner—Bernard Ansher
Assistant Examiner—Adir Aronovich

[21] Appl. No.: **327,588**

[57] **CLAIM**

[22] Filed: **Mar. 23, 1989**

The ornamental design for a transparency viewer, as shown.

[52] U.S. Cl. **D16/229**

DESCRIPTION

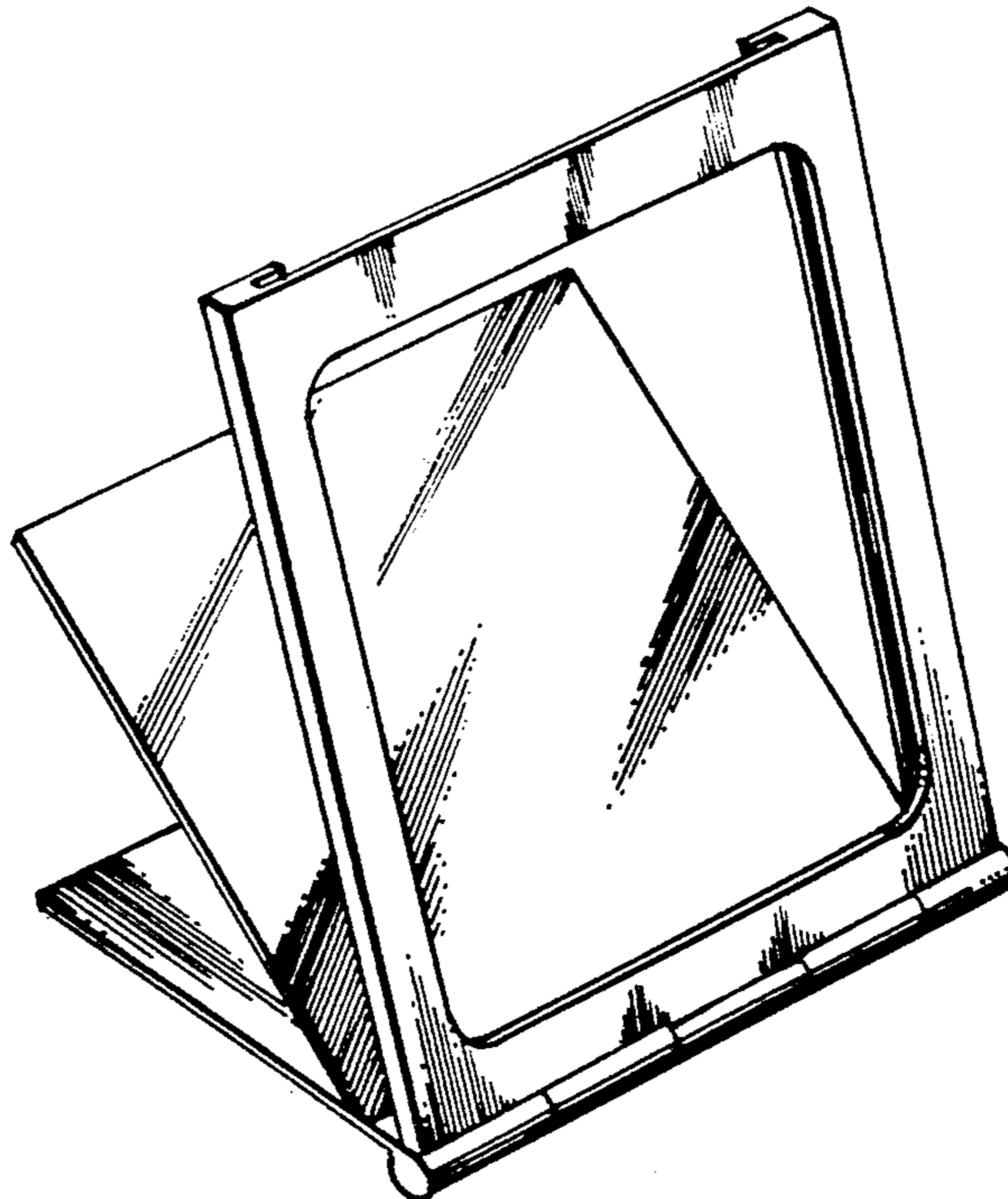
[58] Field of Search D16/221, 225, 229, 233, D16/236; 40/152, 152.1, 159.2, 661, 361, 362, 364, 365-367; 434/430

FIG. 1 is a perspective view of a transparency viewer showing my design;
FIG. 2 is a front elevation thereof;
FIG. 3 is a right side elevation thereof;
FIG. 4 is a top plan view thereof;
FIG. 5 is a rear elevation thereof;
FIG. 6 is a bottom plan view thereof;
FIG. 7 is a perspective view thereof in the closed position as shown from the front; and,
FIG. 8 is a perspective view thereof in the closed position as shown from the rear side.

[56] **References Cited**

U.S. PATENT DOCUMENTS

D. 164,153	8/1951	Barth	D16/229
D. 256,869	9/1980	Arnone	D16/242
D. 318,478	7/1991	Wah Lo	D16/229
1,142,143	6/1915	Cauger	40/159.2
2,795,067	6/1957	Walker	40/366
4,426,798	1/1984	Saunders	40/361



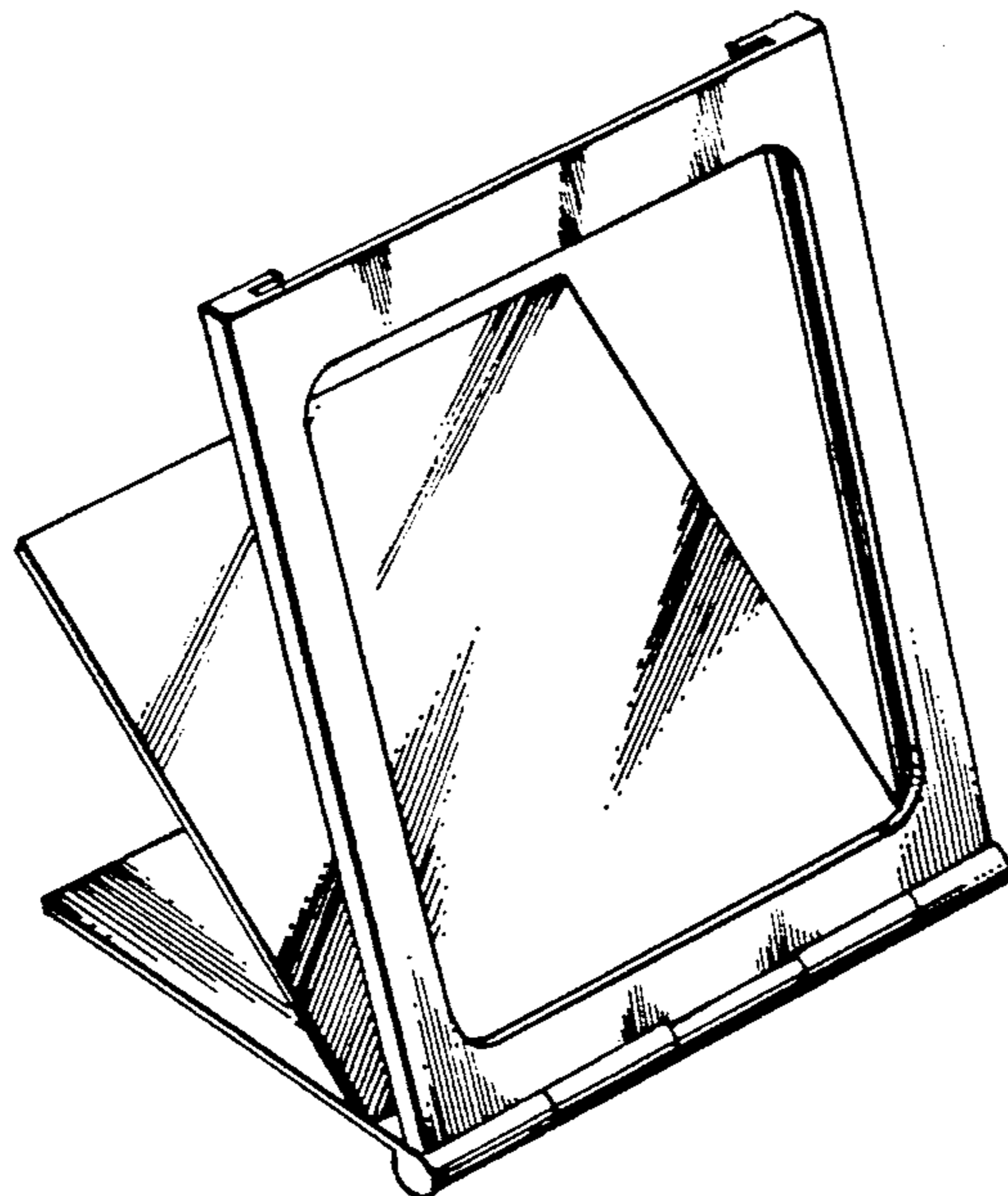


FIG. 1

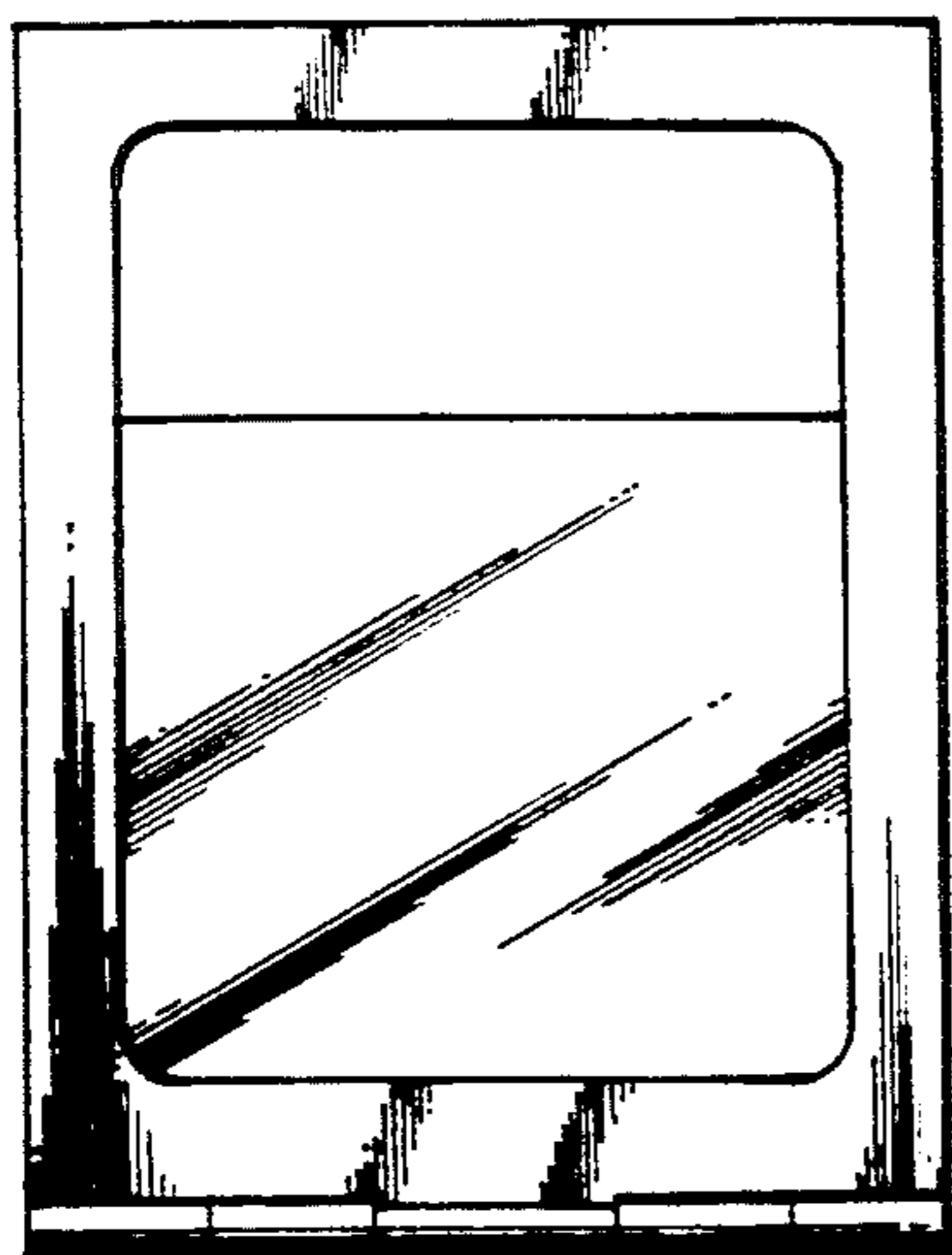


FIG. 2

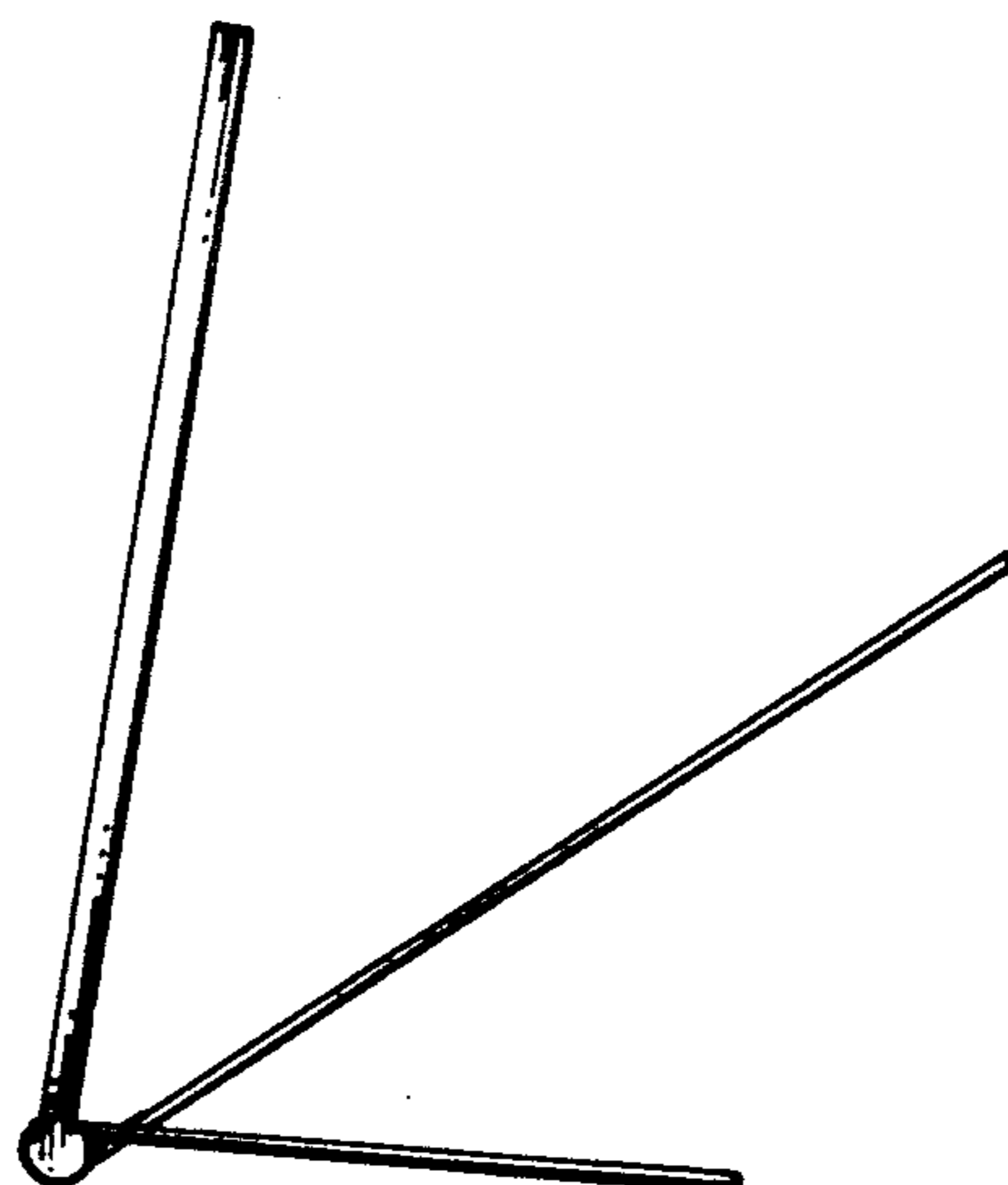


FIG. 3

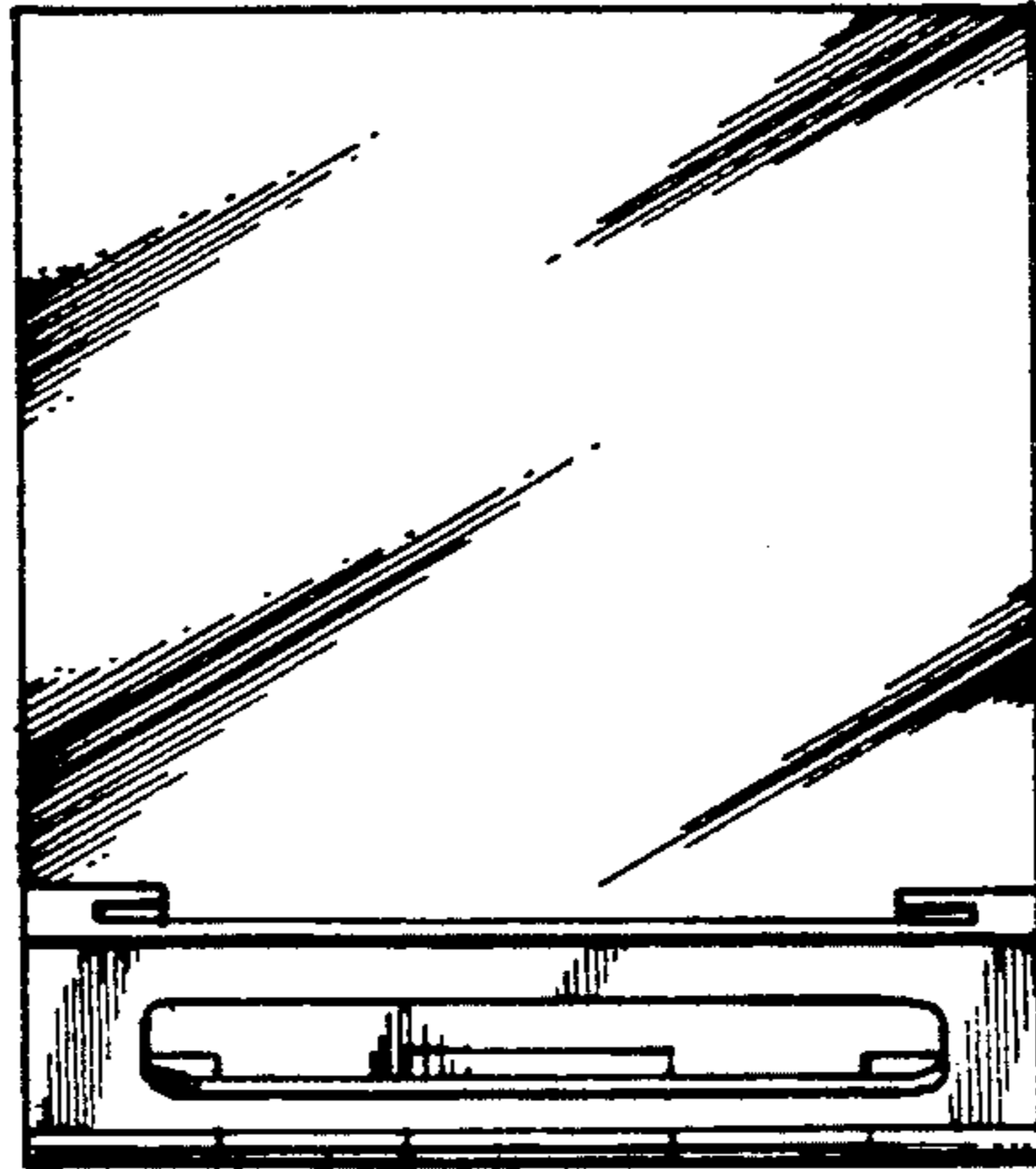


FIG. 4

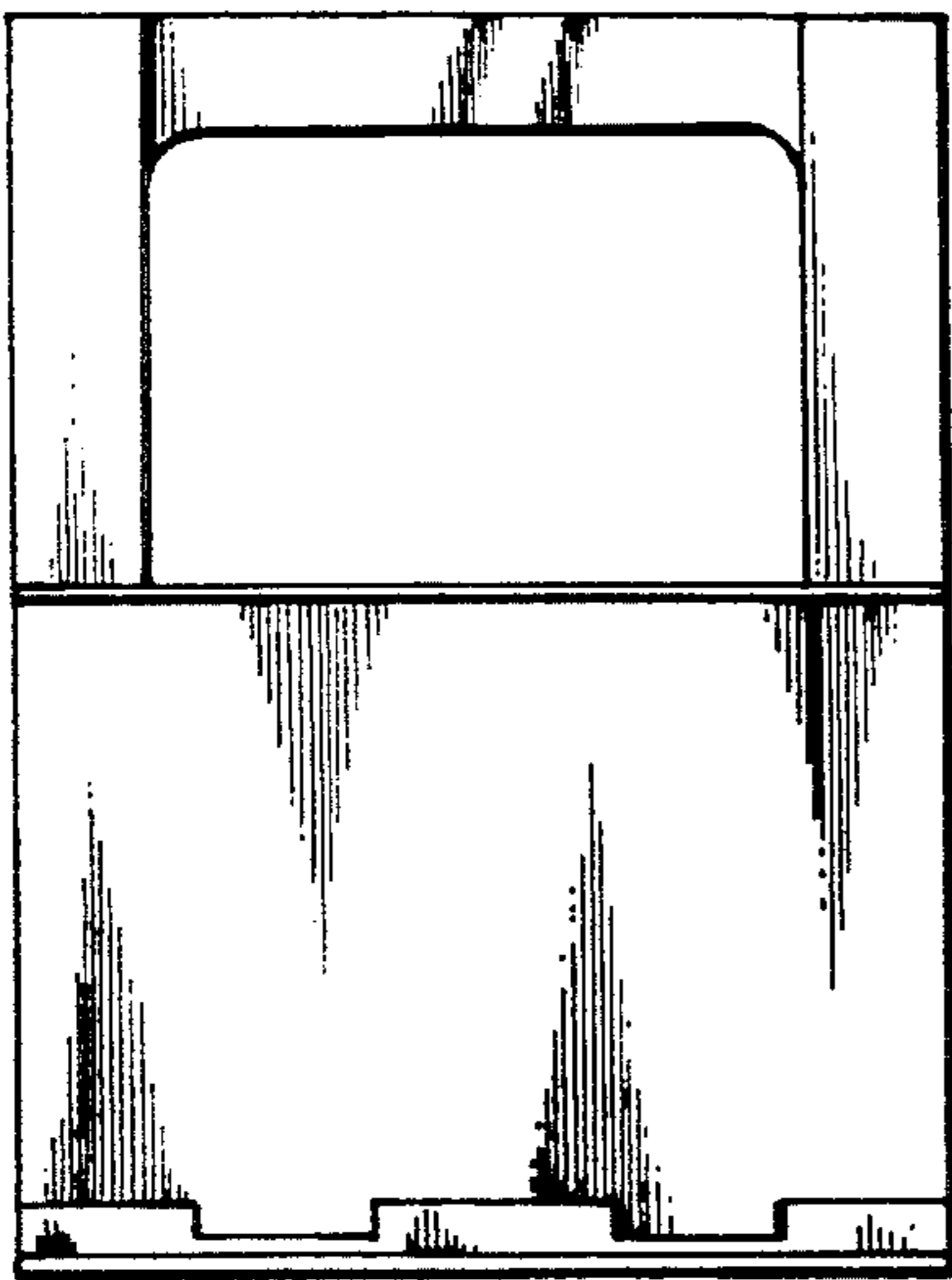


FIG. 5

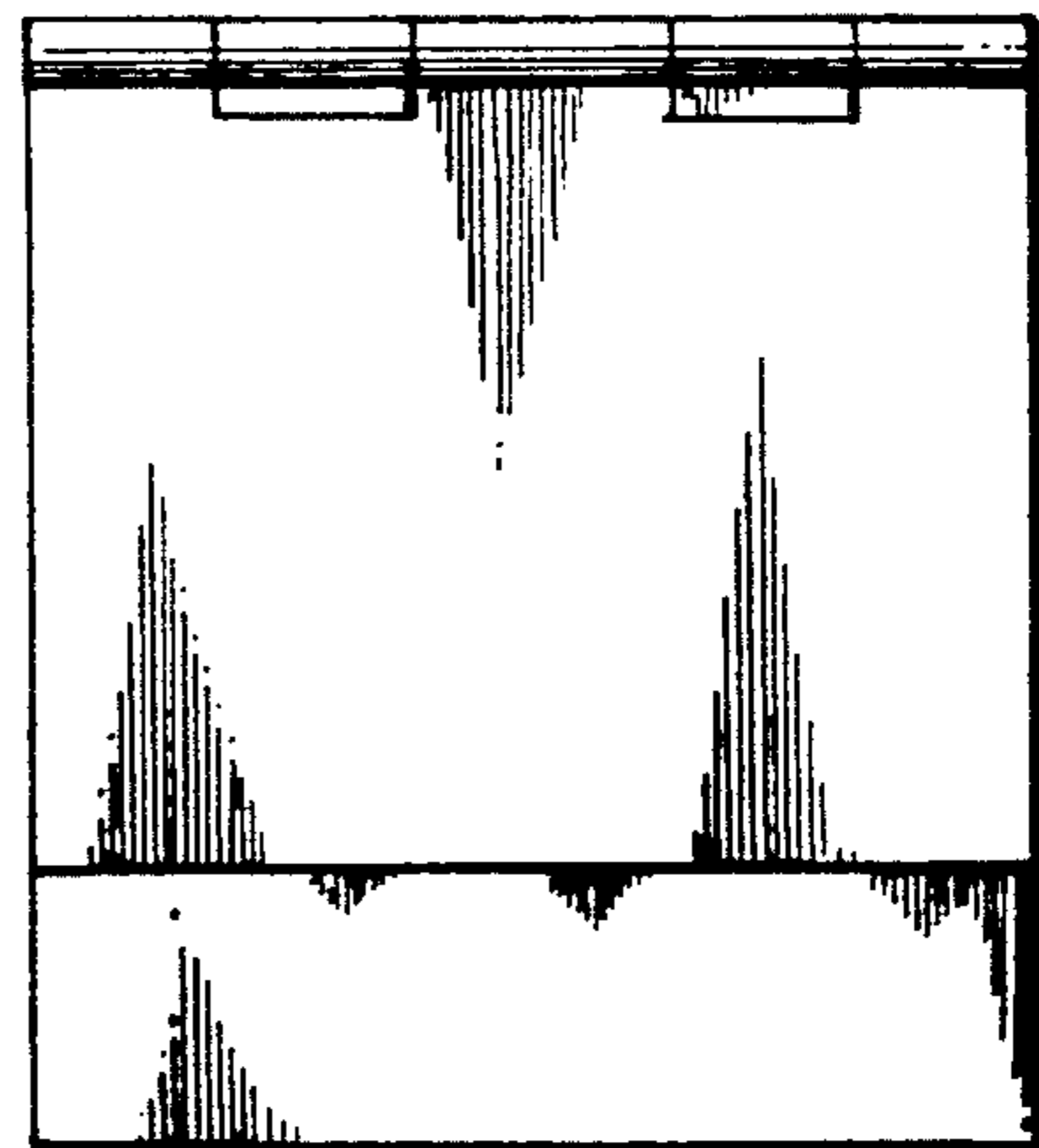


FIG. 6

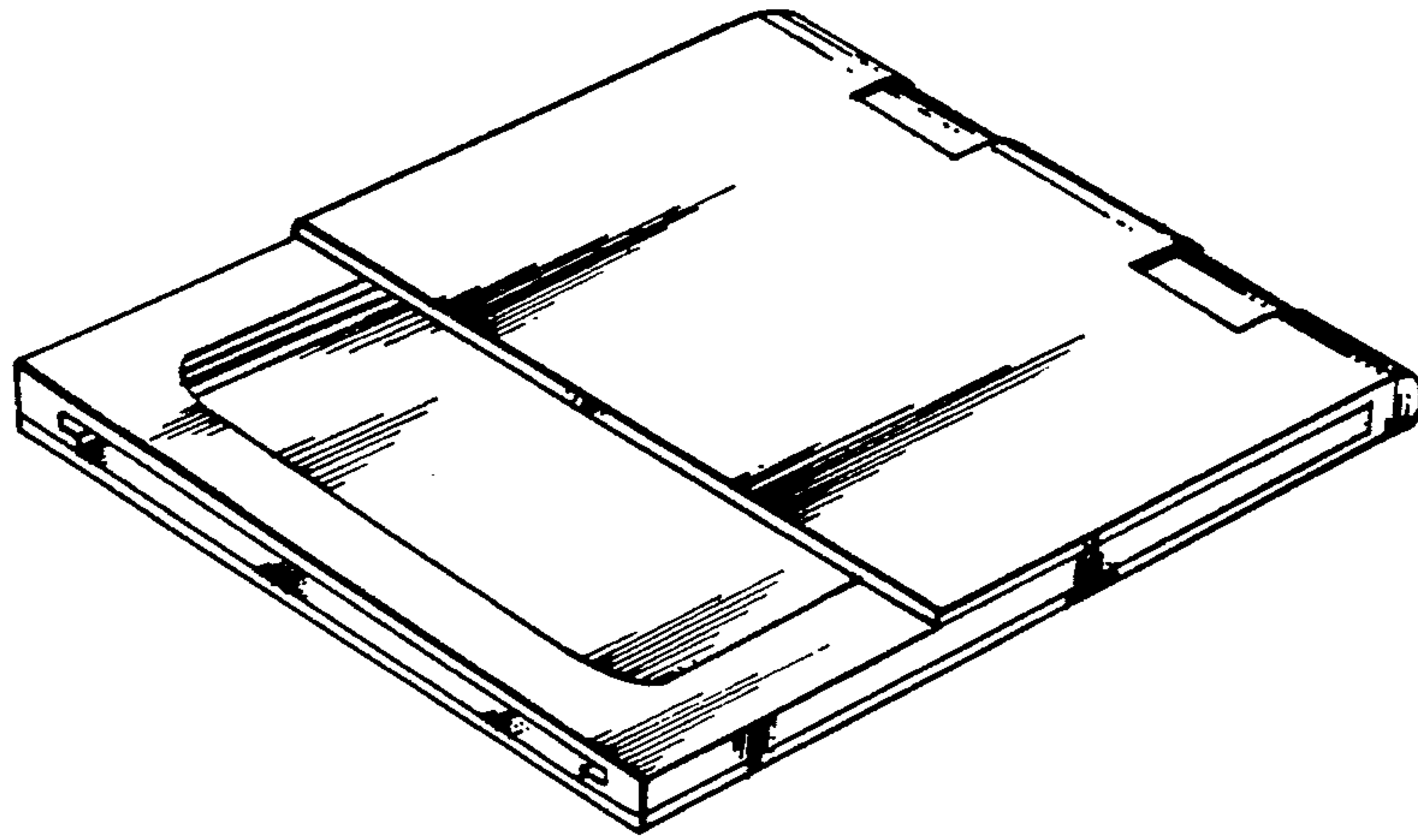


FIG. 7

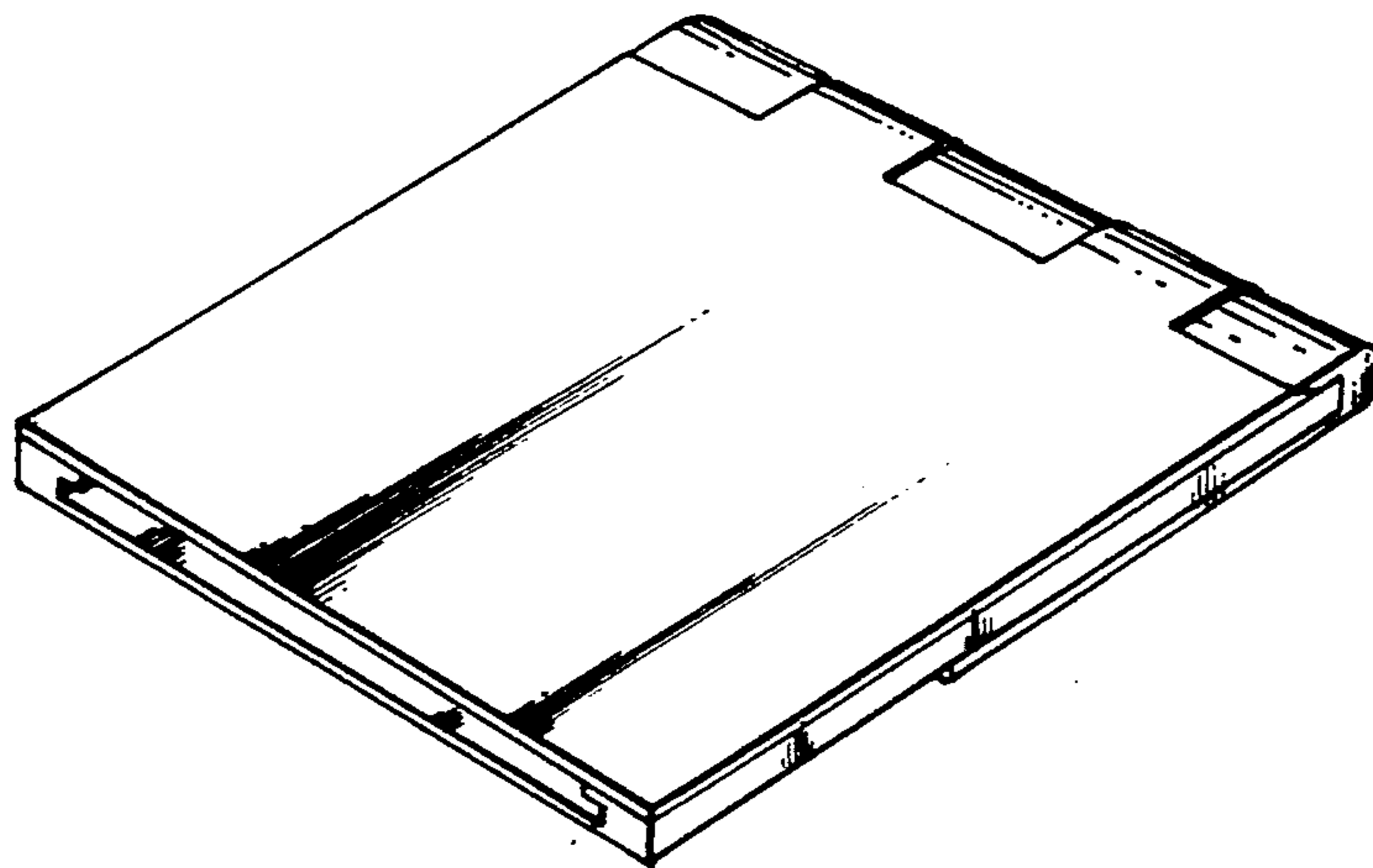


FIG. 8