



US00D329441S

United States Patent [19]

[11] Patent Number: **Des. 329,441**

Yee

[45] Date of Patent: **** Sep. 15, 1992**

[54] **MAGNETICALLY OPERATED
FRICTIONLESS BEARING ASSEMBLY**

4,794,290 12/1988 Nagasaka 310/90.5
4,959,568 9/1990 Stokes 310/90.5

[76] Inventor: **Norman D. Yee, 955-14th Ave.,
Honolulu, Hi. 96816**

Primary Examiner—Nelson C. Holtje
Assistant Examiner—Antoine D. Davis
Attorney, Agent, or Firm—Richard C. Litman

[**] Term: **14 Years**

[57] **CLAIM**

[21] Appl. No.: **379,906**

The ornamental design for a magnetically operated frictionless bearing assembly, as shown and described.

[22] Filed: **Jul. 14, 1989**

[52] U.S. Cl. **D15/143; D10/46;
D10/103; D15/138; D15/199**

DESCRIPTION

[58] Field of Search **D15/199, 138, 199;
310/90.5; D10/46, 103**

FIG. 1 is a perspective view of a magnetically operated frictionless bearing assembly showing my new design; FIG. 2 is an elevational view, the converse side being identical thereto;

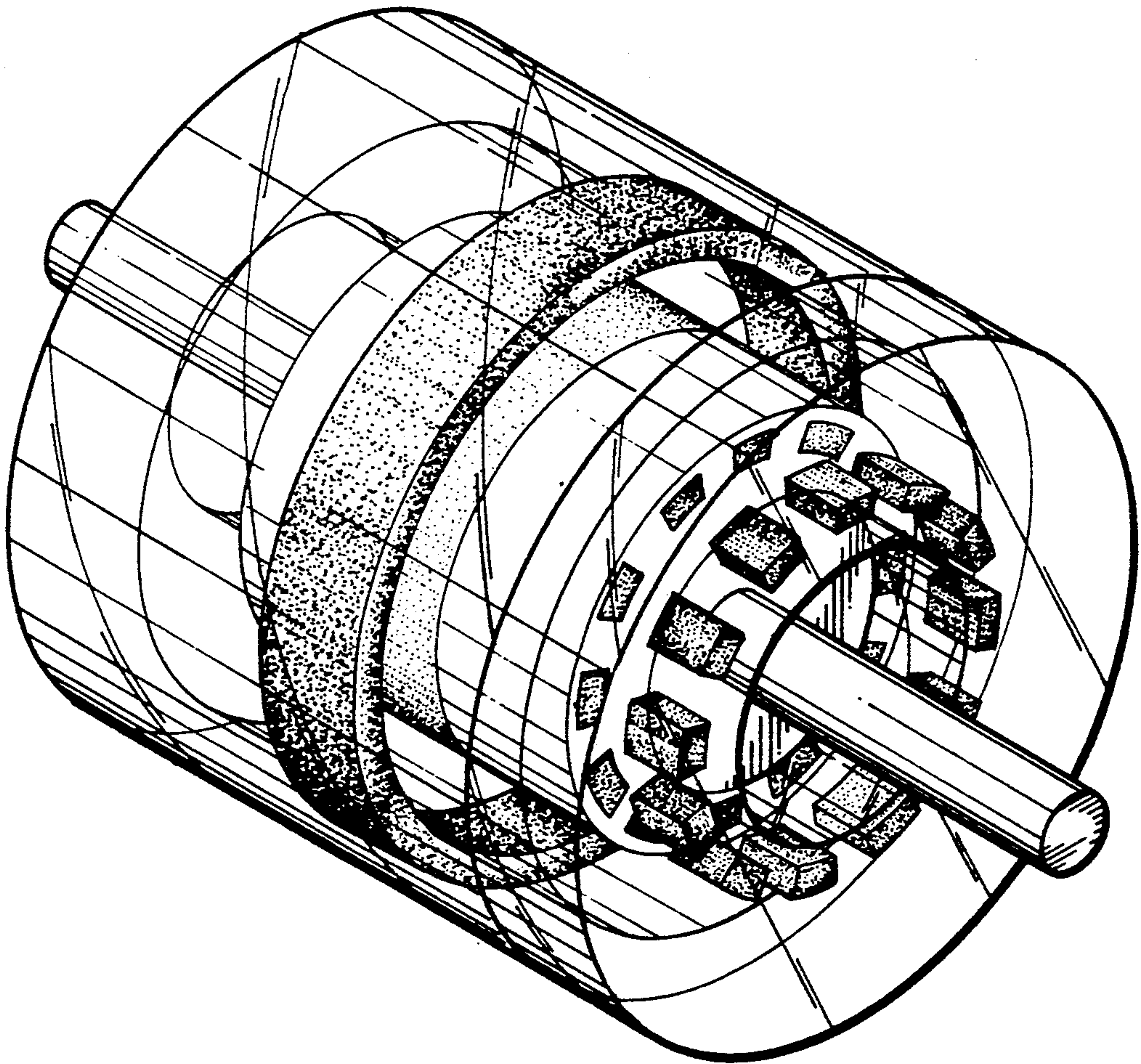
[56] **References Cited**

U.S. PATENT DOCUMENTS

| | | | | |
|-----------|---------|------------------|-------|-----------|
| 2,275,889 | 3/1942 | Cleary | | D15/126 X |
| 3,845,997 | 11/1974 | Boden et al. | | 310/90.5 |
| 4,141,604 | 2/1975 | Habermann et al. | | 310/90.5 |
| 4,500,142 | 2/1985 | Brunet | | 310/90.5 |

FIG. 3 is a side elevational view, all other side elevational views being identical; and, FIG. 4 is a cross-sectional view taken along line 4—4 in FIG. 3 thereof.

FIG. 1 has been drawn on an enlarged scale with respect to FIGS. 2-4.



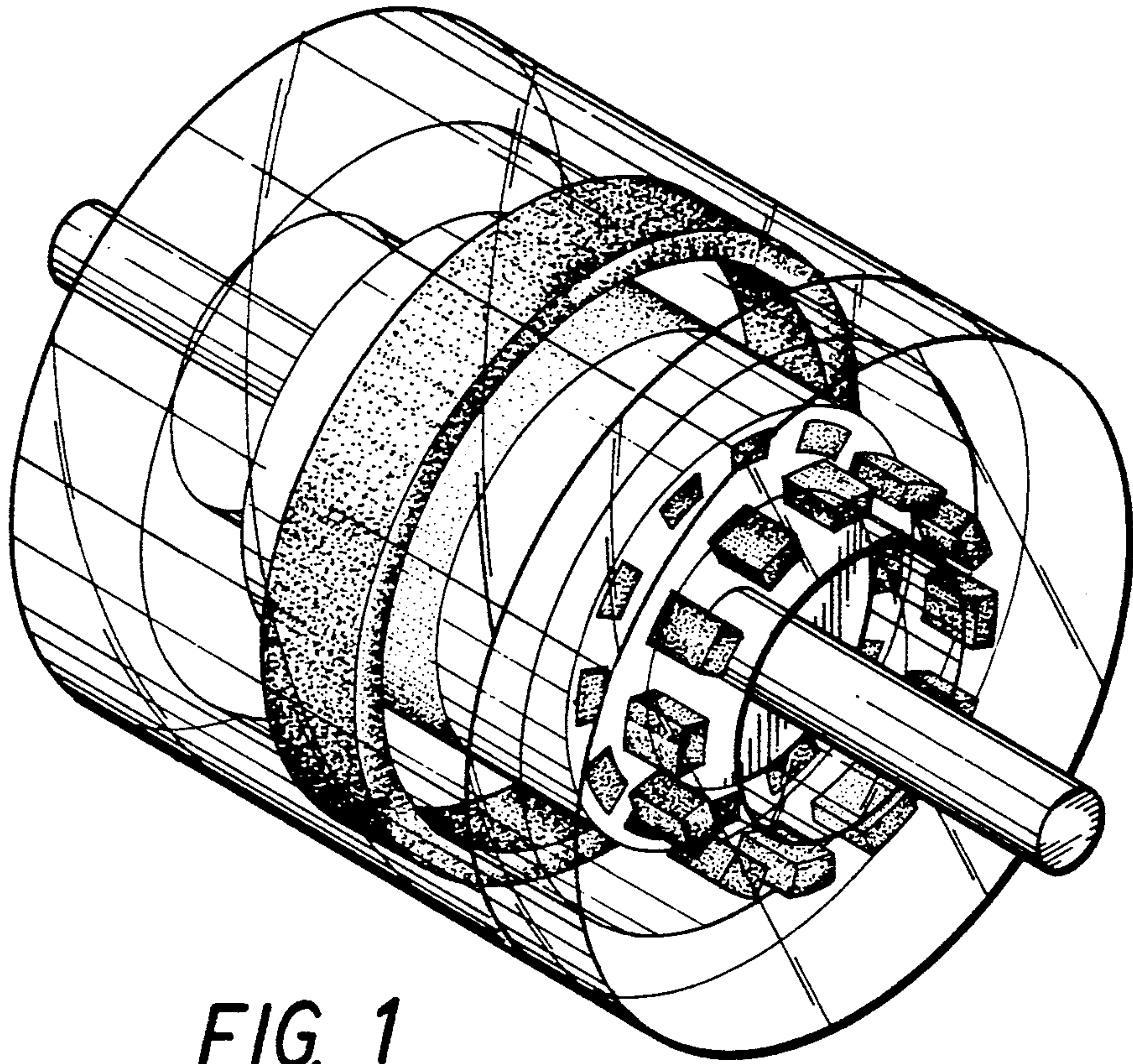


FIG. 1

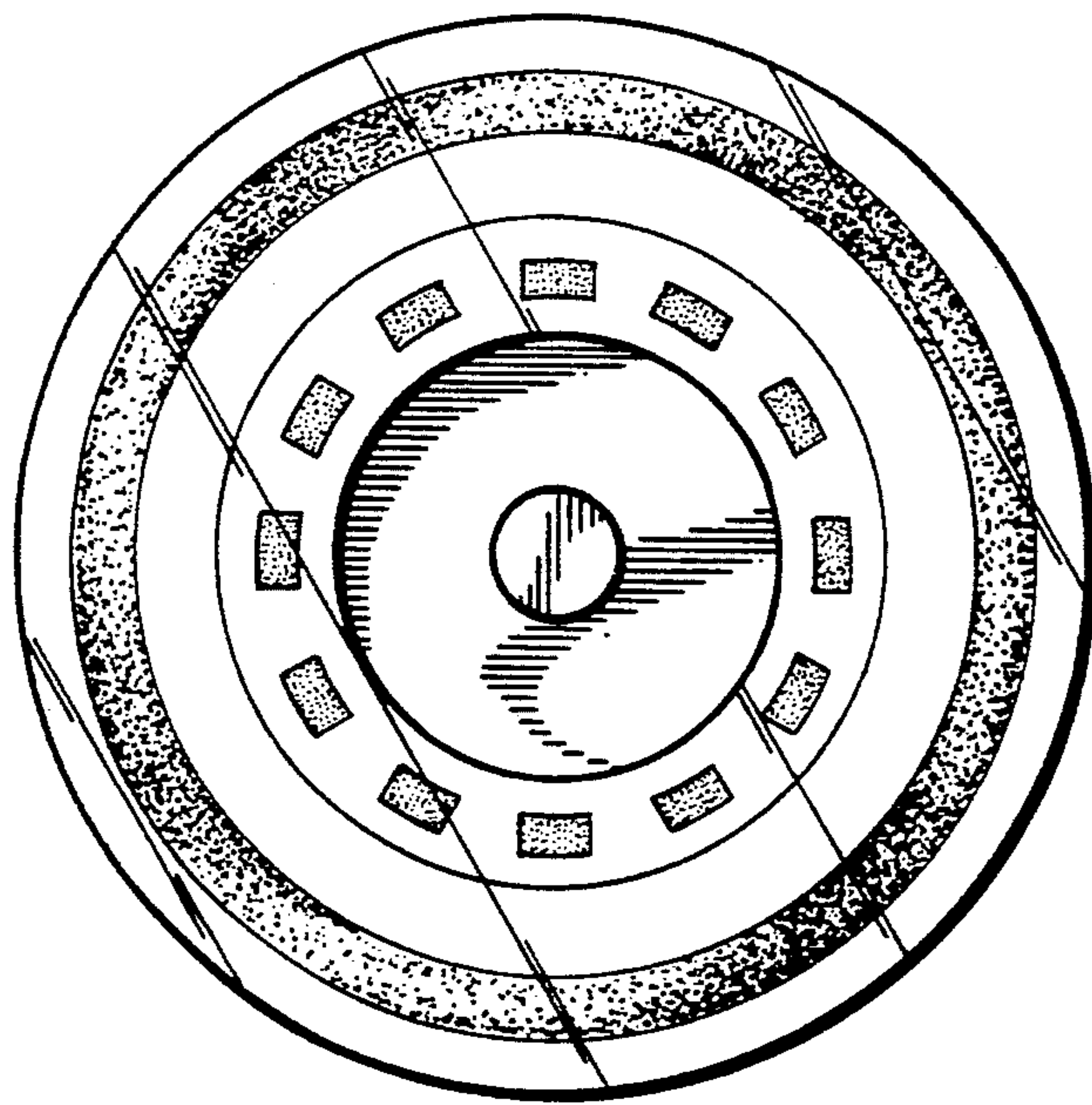


FIG. 2

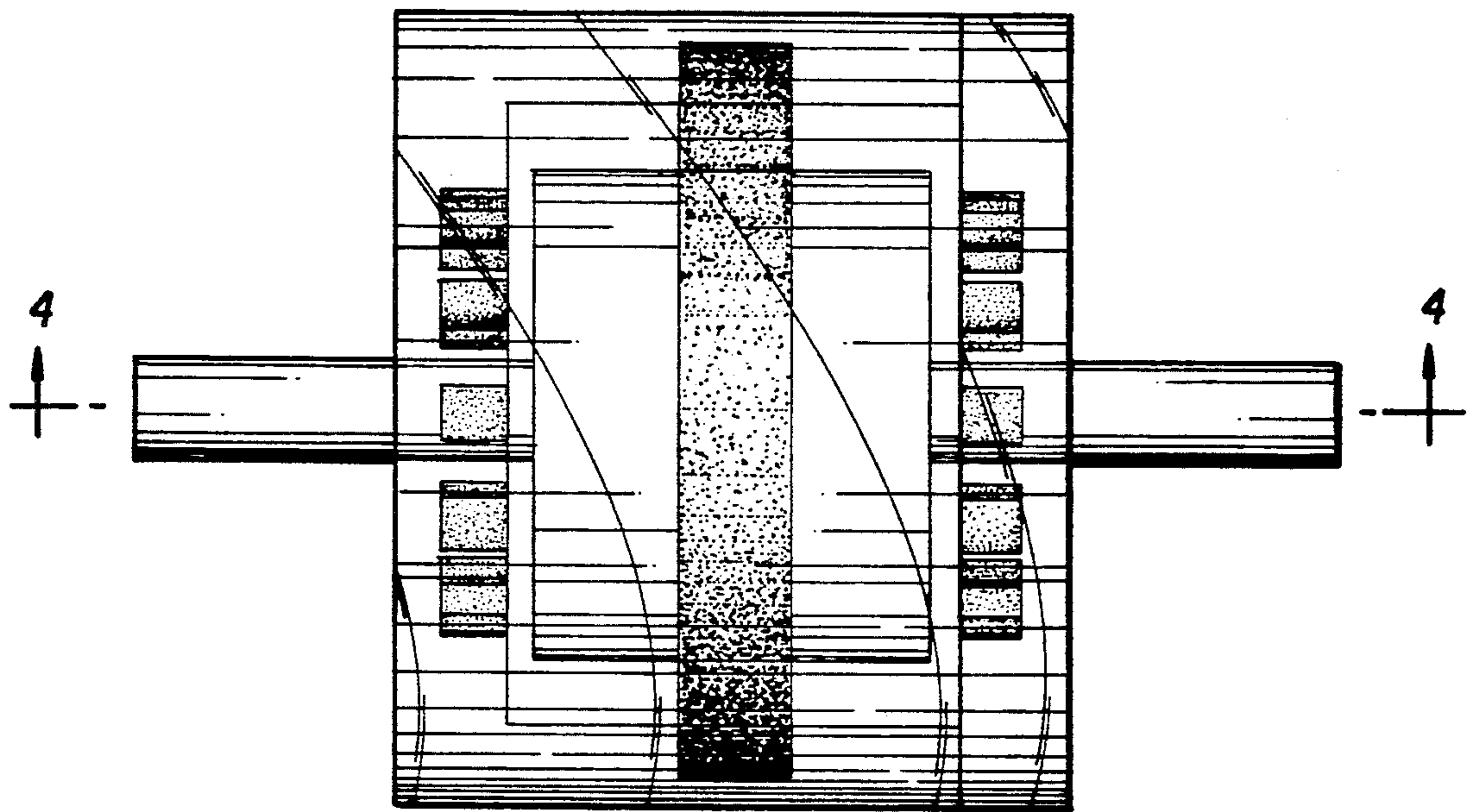


FIG. 3

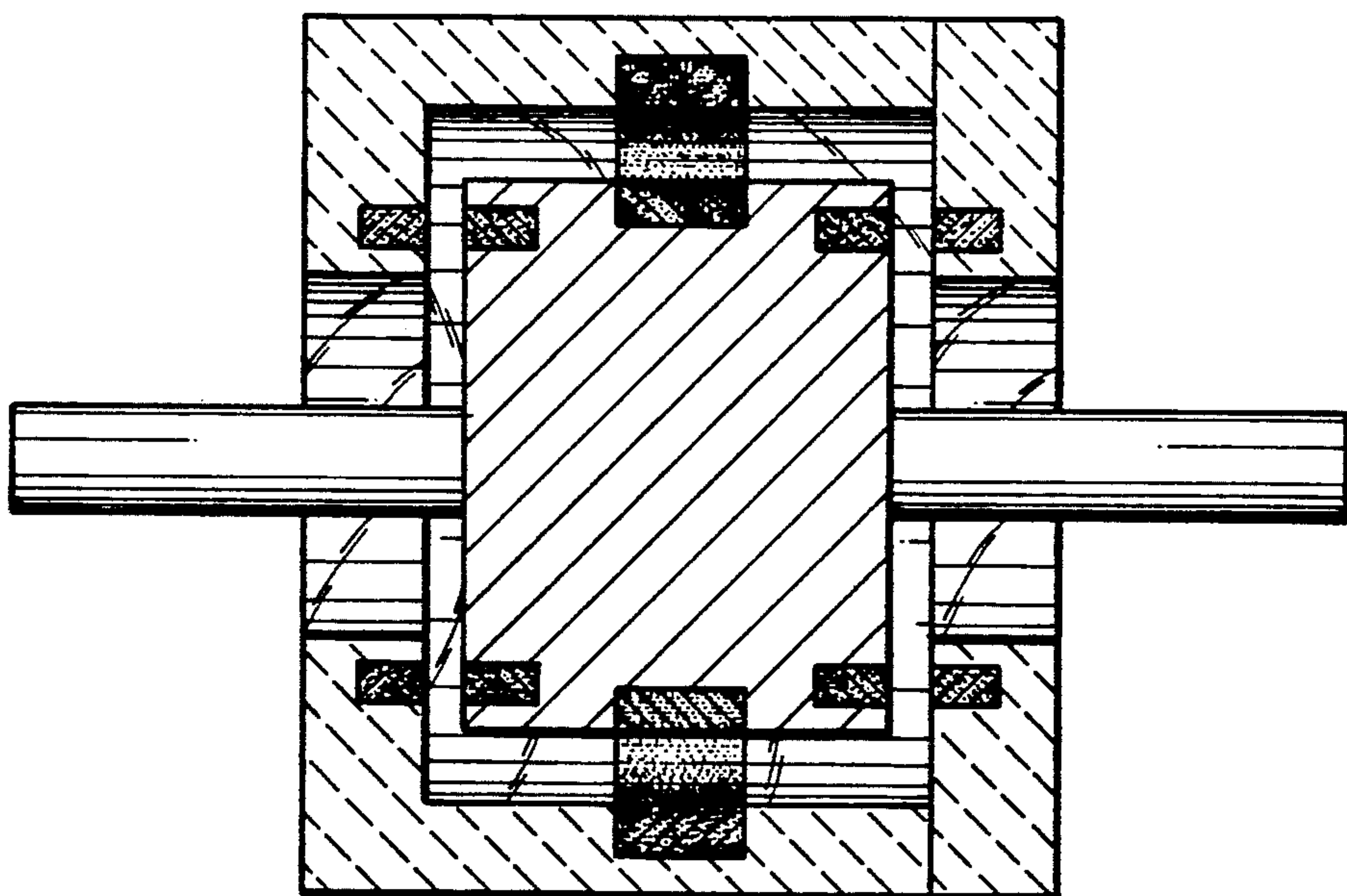


FIG. 4