



US00D329438S

United States Patent [19]

[11] Patent Number: **Des. 329,438**

Asano et al.

[45] Date of Patent: **** Sep. 15, 1992**

[54] **PORTABLE DRILL**

[56] **References Cited**

[75] Inventors: **Osamu Asano; Michihiro Shouji; Masunari Kowada; Toshio Mikiya**, all of Tokyo, Japan

U.S. PATENT DOCUMENTS

D. 218,574	9/1970	Moseley et al.	D15/132
D. 237,455	11/1975	Schramm et al.	D15/132 X
D. 325,389	4/1992	Lin	D15/132
5,035,549	7/1991	Asano et al.	408/132
5,087,157	2/1992	Shoji et al.	409/17 X

[73] Assignee: **Nitto Kohki Co., Ltd.**, Tokyo, Japan

Primary Examiner—Donald P. Walsh
Assistant Examiner—Antoine D. Davis
Attorney, Agent, or Firm—Wenderoth, Lind & Ponack

[**] Term: **14 Years**

[57] **CLAIM**

[21] Appl. No.: **631,056**

The ornamental design for portable drill, as shown.

[22] Filed: **Dec. 19, 1990**

DESCRIPTION

[30] **Foreign Application Priority Data**

Jun. 25, 1990 [JP]	Japan	2-21199
[52] U.S. Cl.	D15/132	
[58] Field of Search	D15/132; 408/9, 17,	408/132

FIG. 1 is a top, front and left side perspective view of a portable drill showing our new design; FIG. 2 is a right side elevational view; FIG. 3 is a top plan view; FIG. 4 is a rear elevational view; FIG. 5 is a front elevational view; FIG. 6 is a bottom plan view; and, FIG. 7 is a right side elevational view thereof.

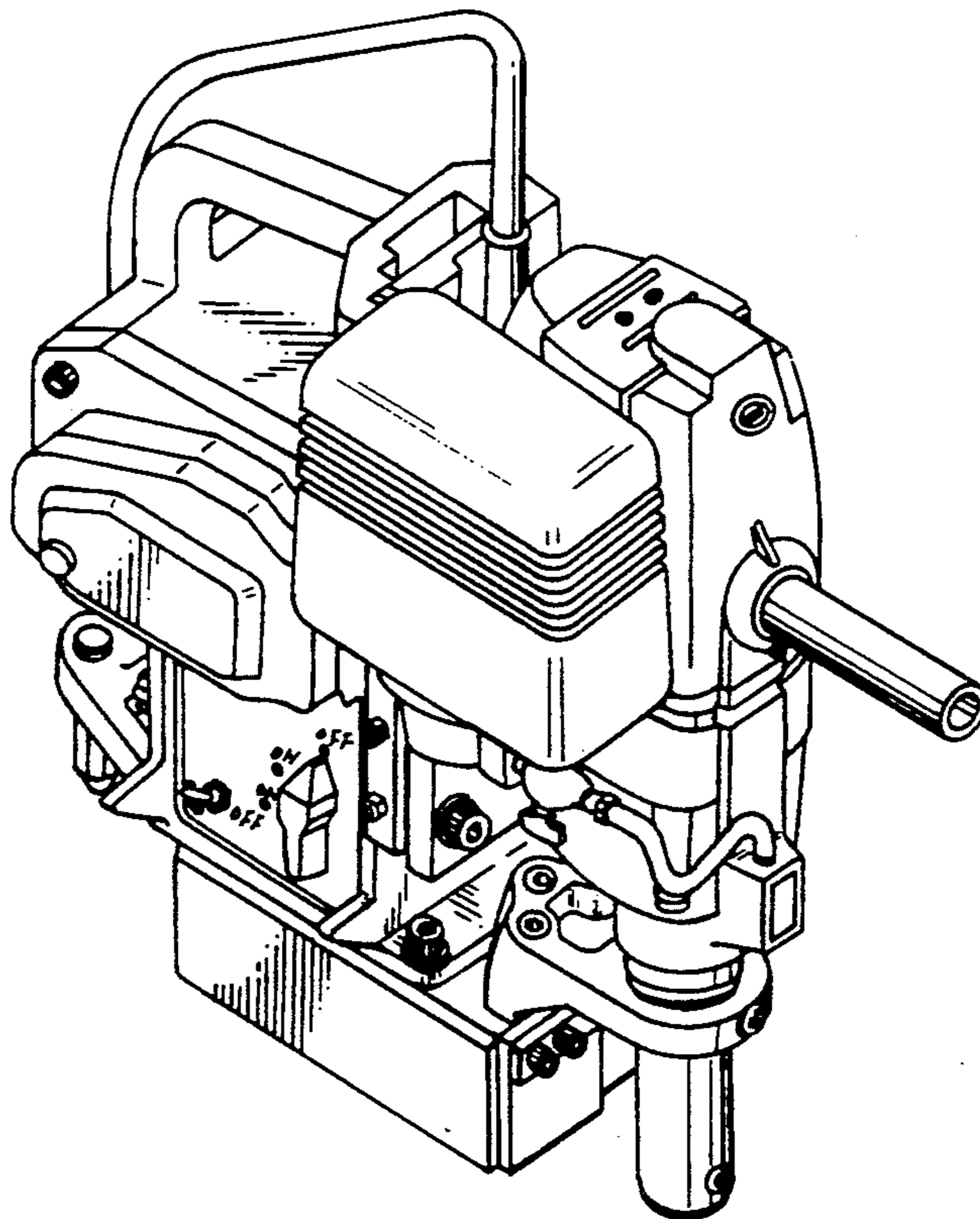


FIG. 1

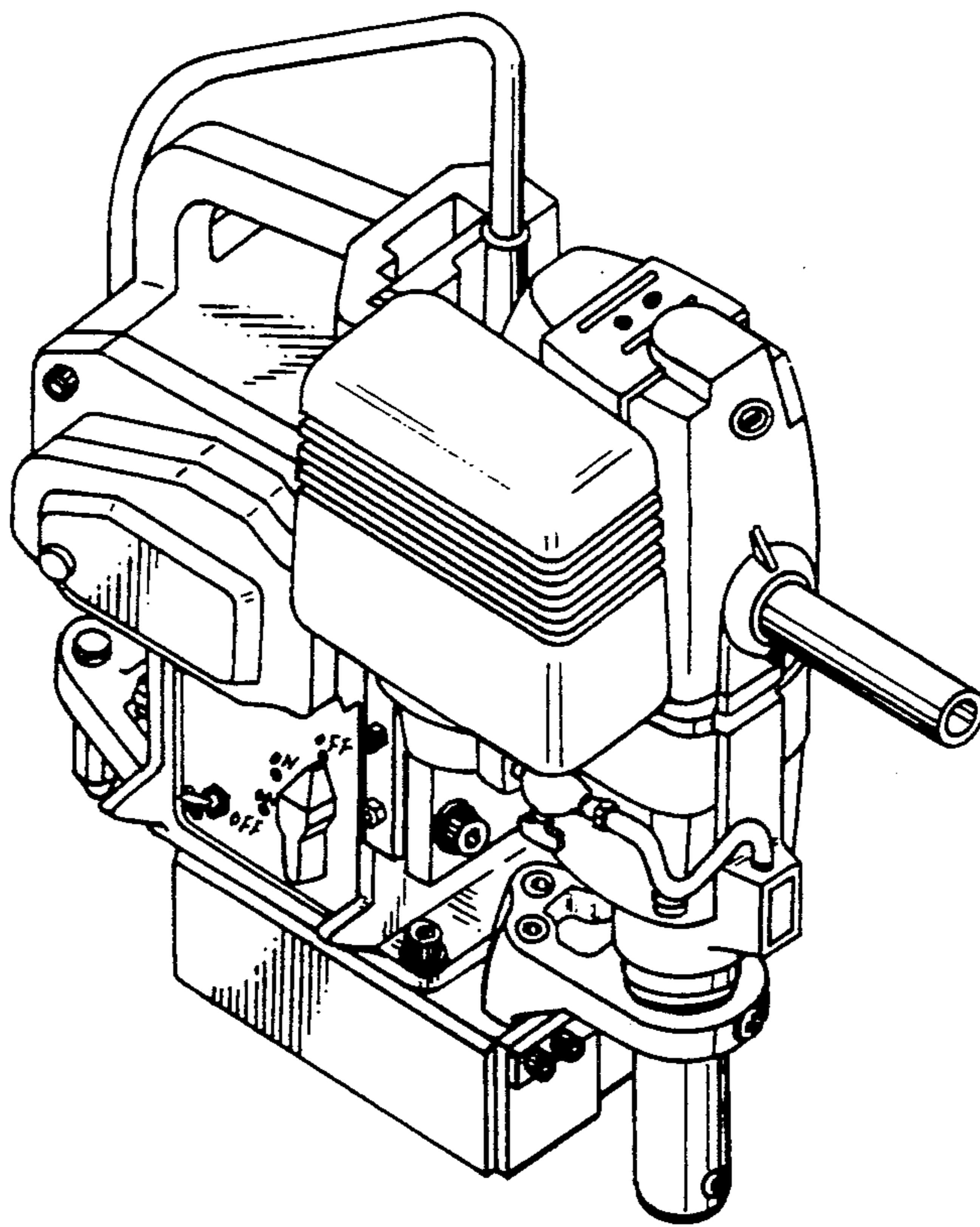


FIG. 2

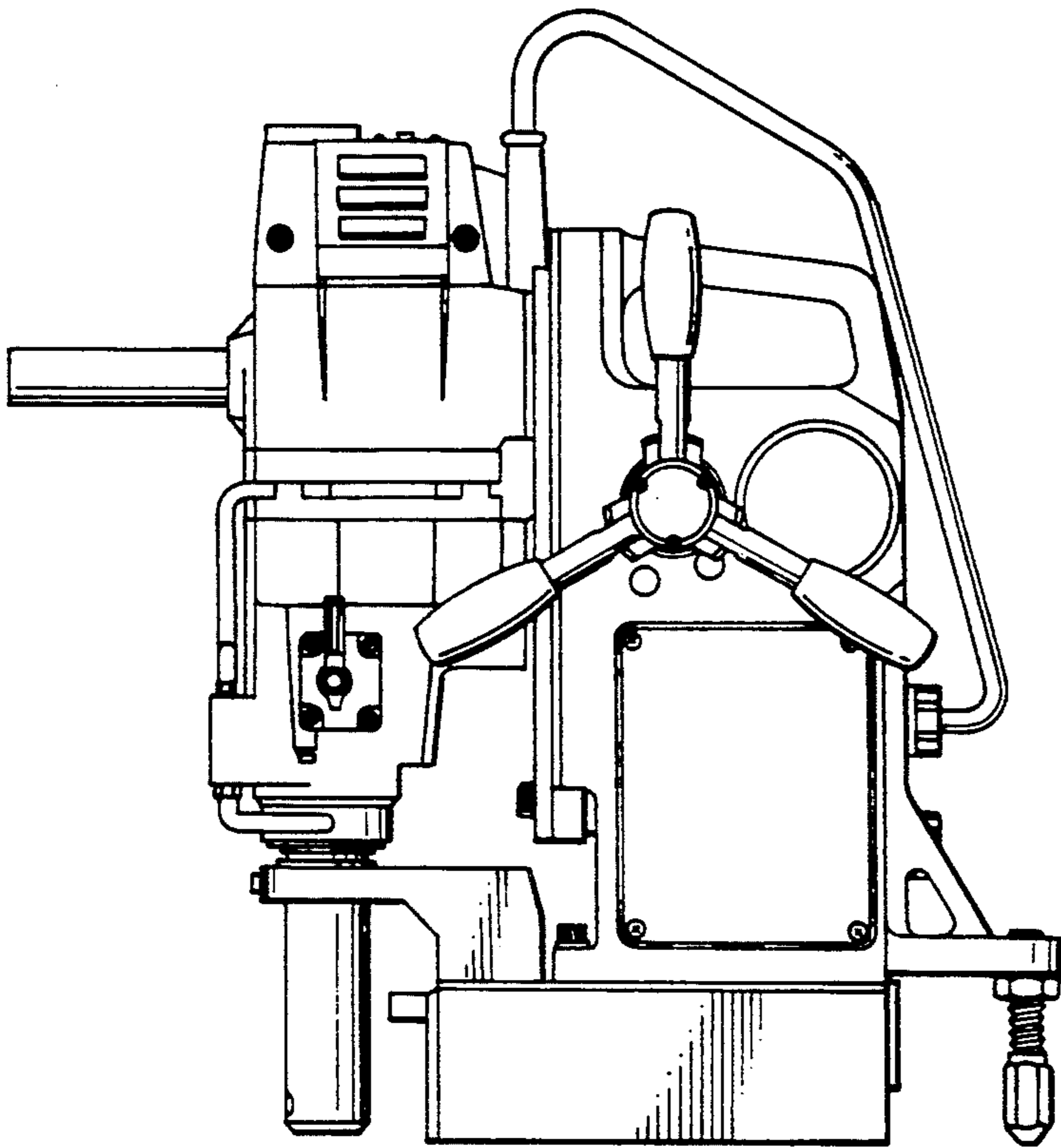


FIG. 4

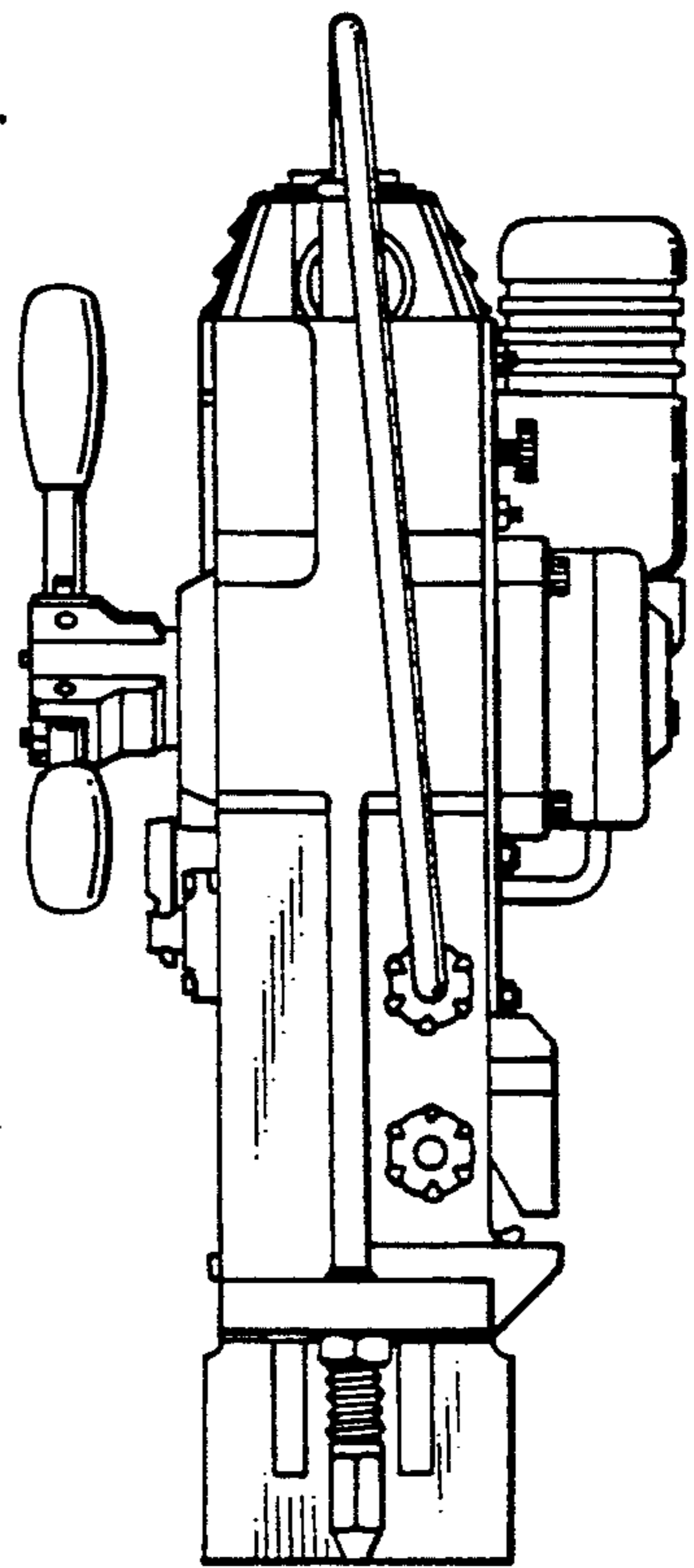


FIG. 3

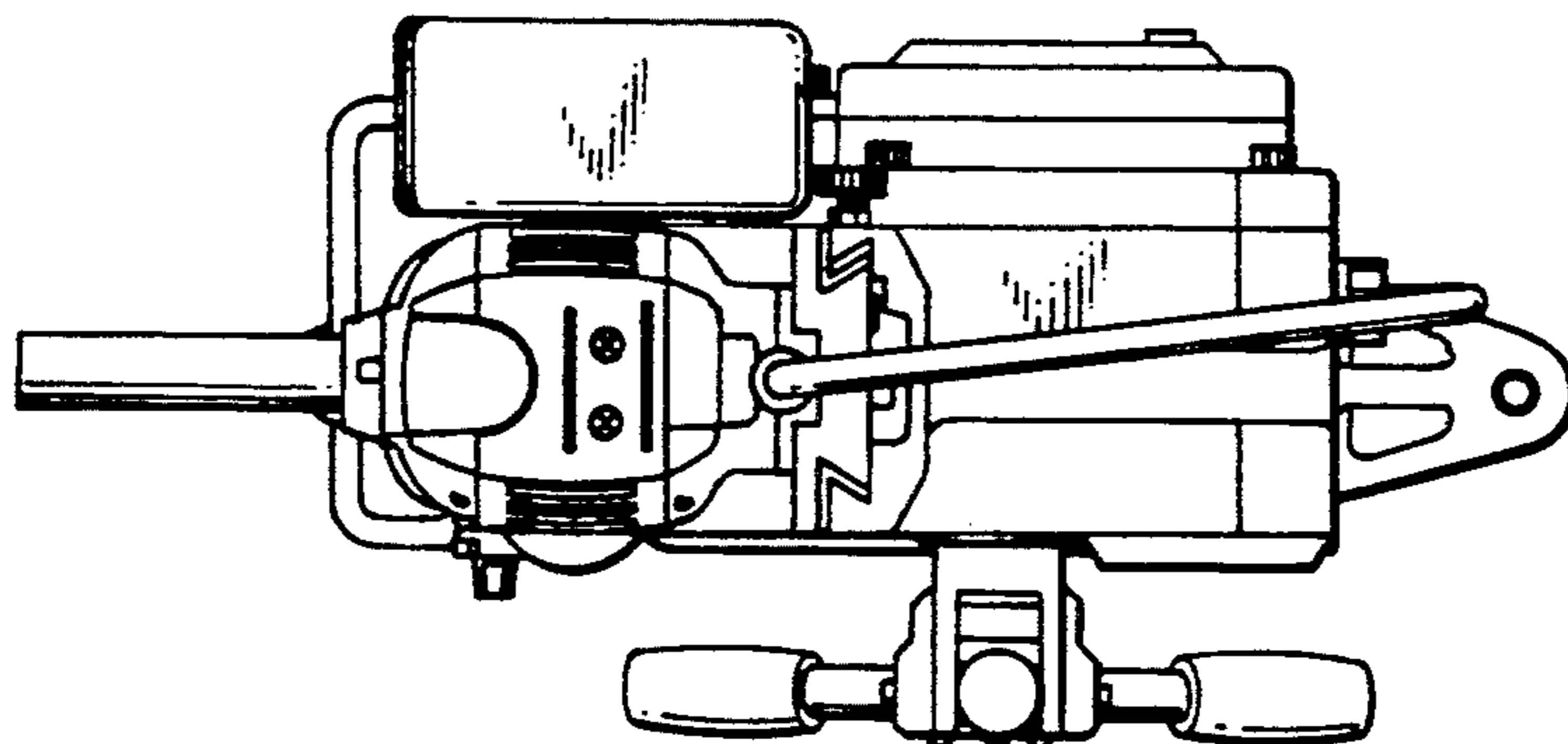


FIG. 6

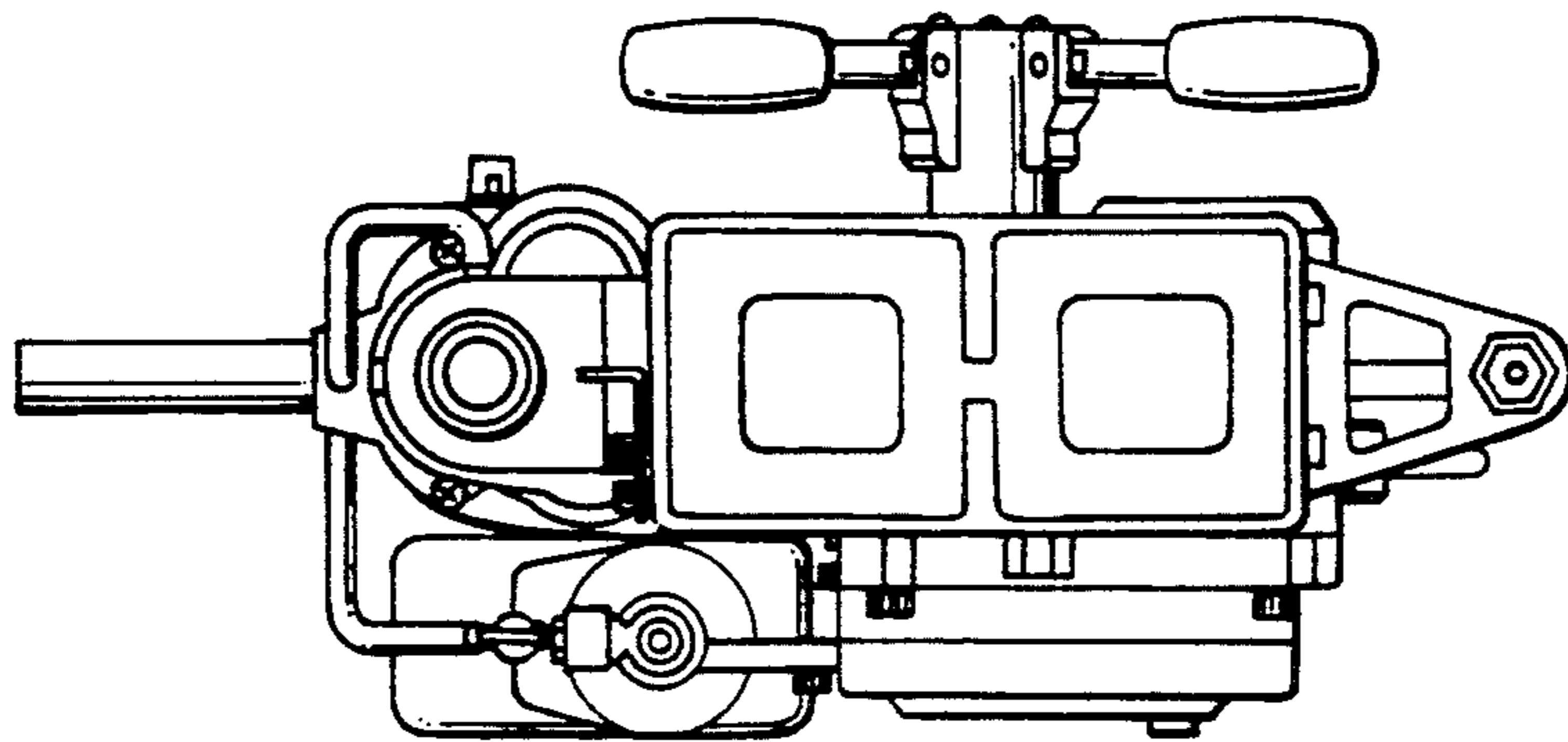


FIG. 7

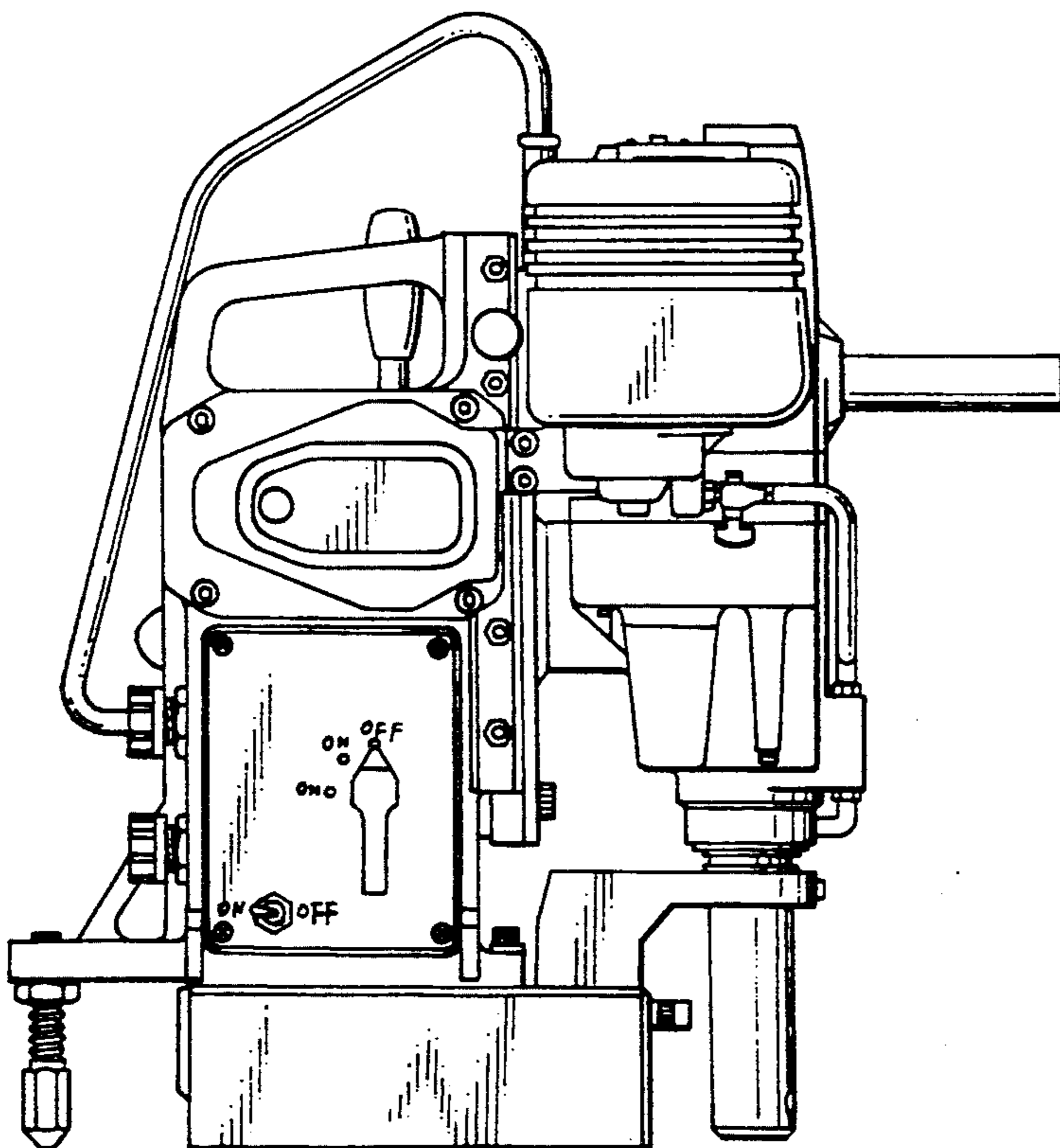


FIG. 5

