



US00D329437S

United States Patent [19]

[11] Patent Number: **Des. 329,437**

Pampus

[45] Date of Patent: **** Sep. 15, 1992**

[54] **STRIP CUTTING MACHINE**

[76] Inventor: **Juergen M. Pampus**, 3131 Shadowglen Way, Colorado Springs, Colo. 80918

[**] Term: **14 Years**

[21] Appl. No.: **538,507**

[22] Filed: **Jun. 15, 1990**

[52] U.S. Cl. **D15/127**

[58] Field of Search **D15/127, 129; 83/170, 83/171**

[56] **References Cited**

U.S. PATENT DOCUMENTS

D. 234,438	3/1975	Fitzgerald	D15/127
4,683,791	8/1987	Demont	83/171 X
4,748,881	6/1988	Keeling	D15/127 X
4,823,660	4/1989	Forthmann	83/171 X

Primary Examiner—Nelson C. Holtje
Assistant Examiner—Antoine D. Davis
Attorney, Agent, or Firm—Richard C. Litman

[57] **CLAIM**

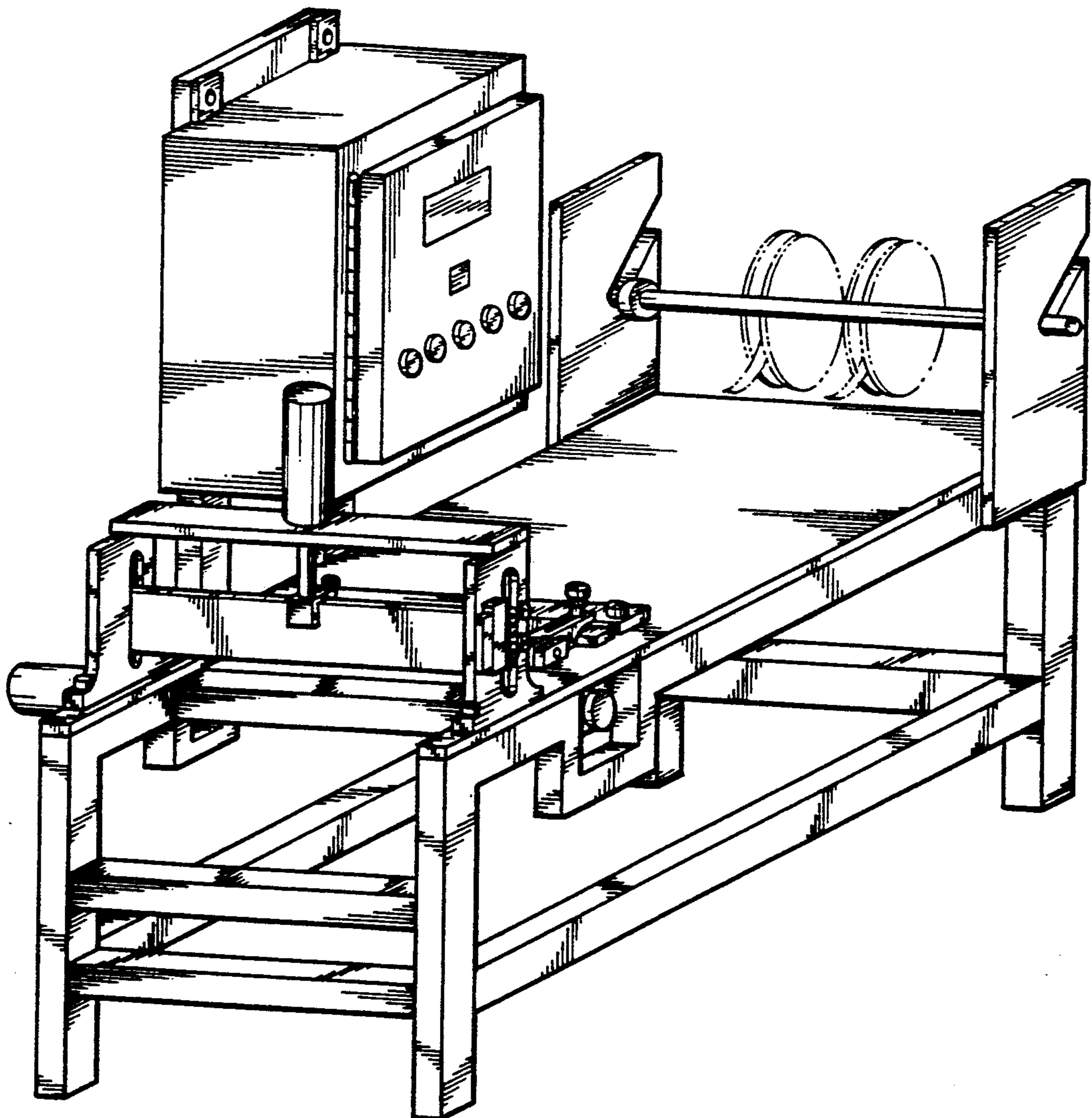
The ornamental design for a strip cutting machine, as shown and described.

DESCRIPTION

FIG. 1 is a top, front and left side perspective view of a strip cutting machine showing my new design; FIG. 2 is a left side elevational view; FIG. 3 is a rear elevational view; FIG. 4 is a right side elevational view; FIG. 5 is a top plan view; and, FIG. 6 is a bottom plan view thereof.

FIG. 1 has been drawn on a slightly reduced enlarged scale with respect to FIGS. 2-6.

The broken line showing of fabric rolls are for illustrative purposes only and form no part of the claimed design.



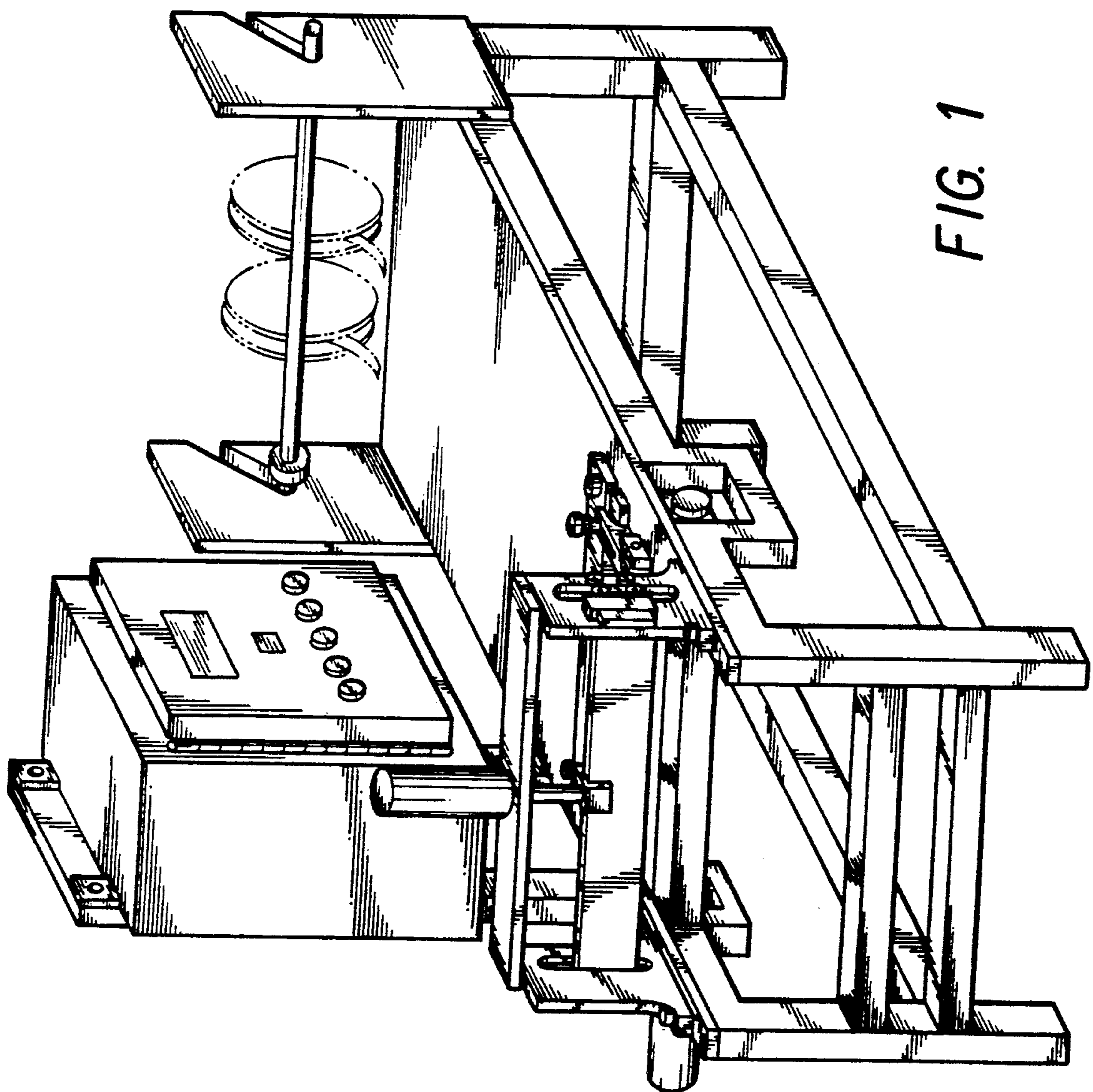
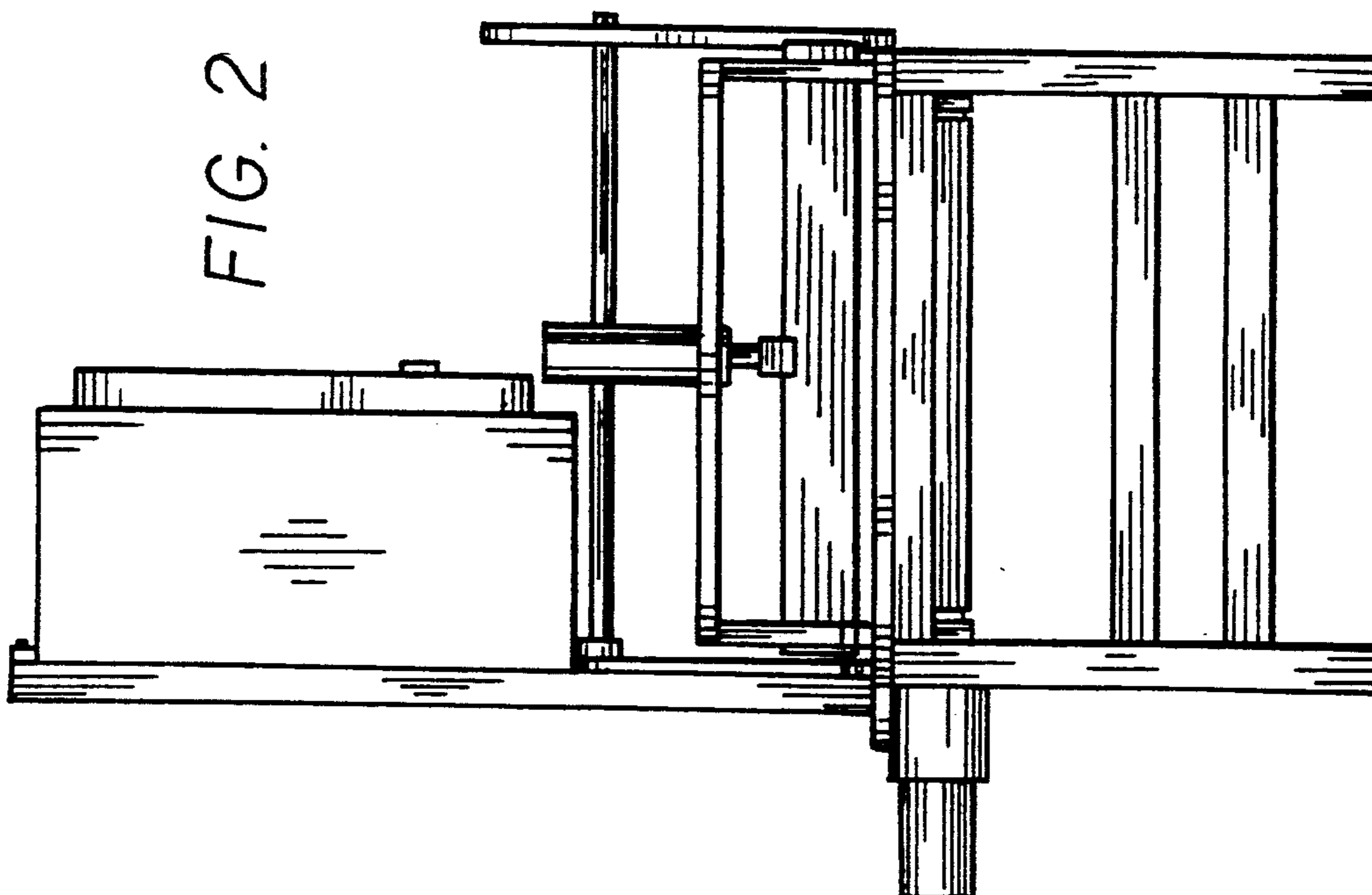
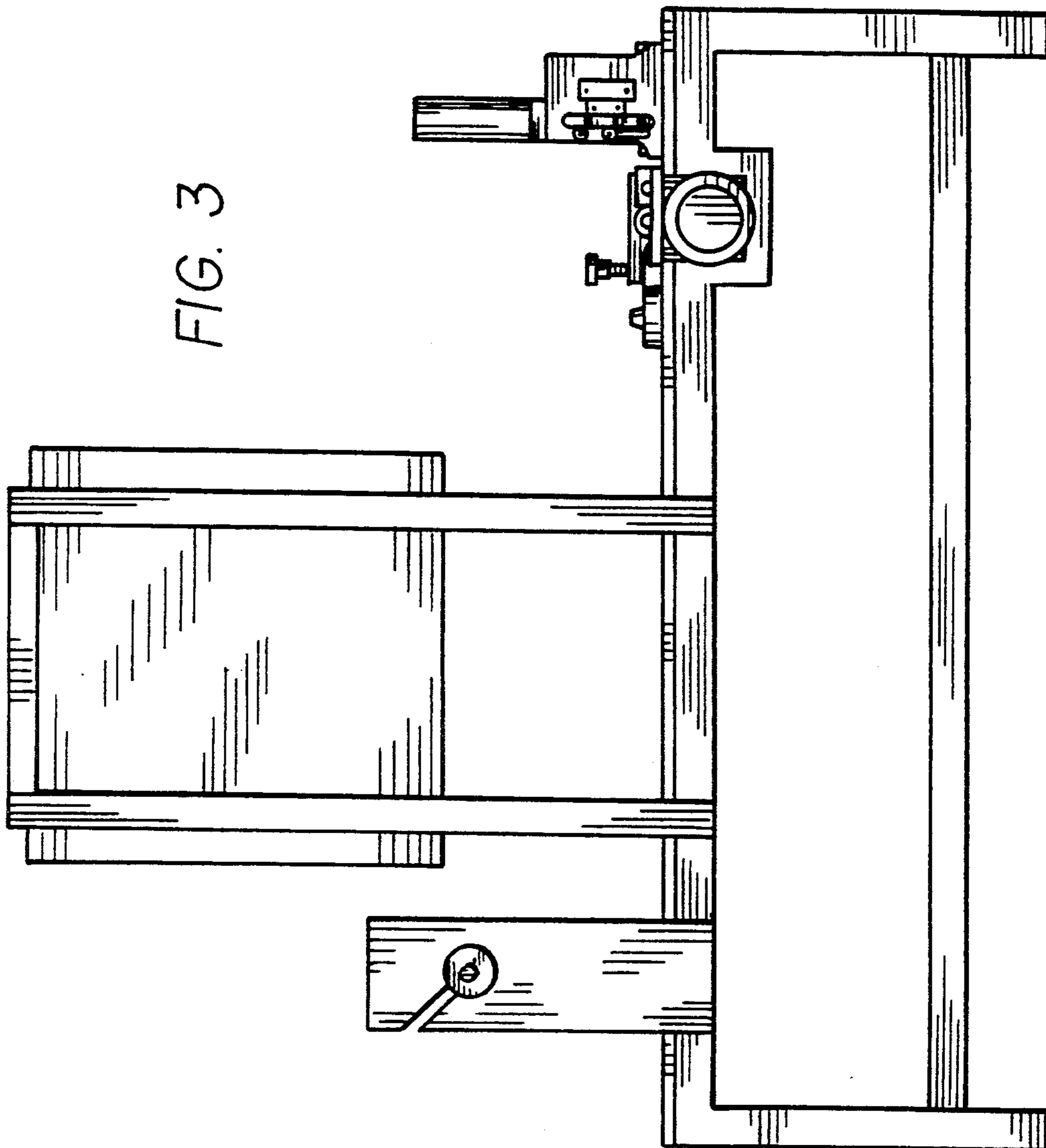


FIG. 1



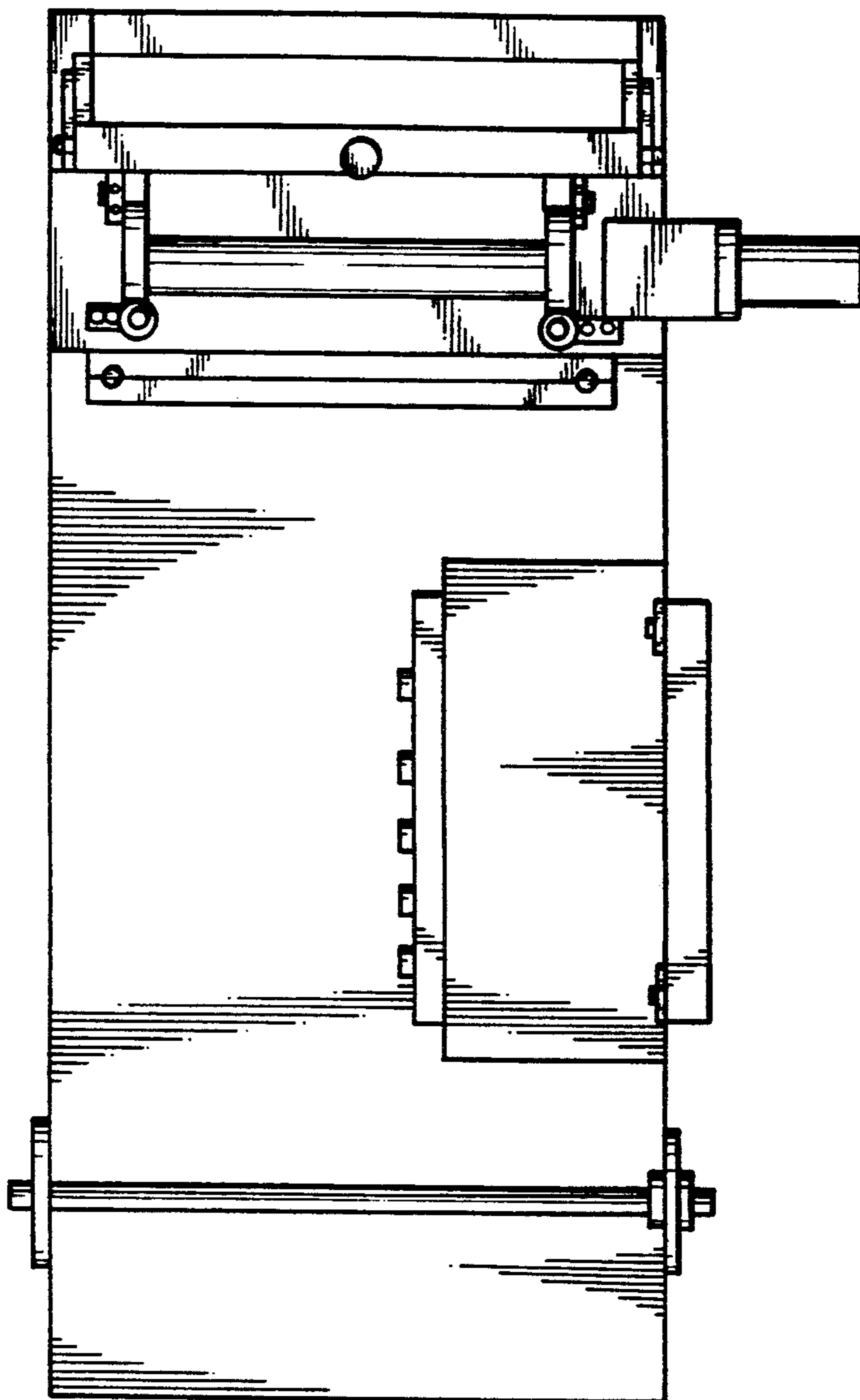


FIG. 5

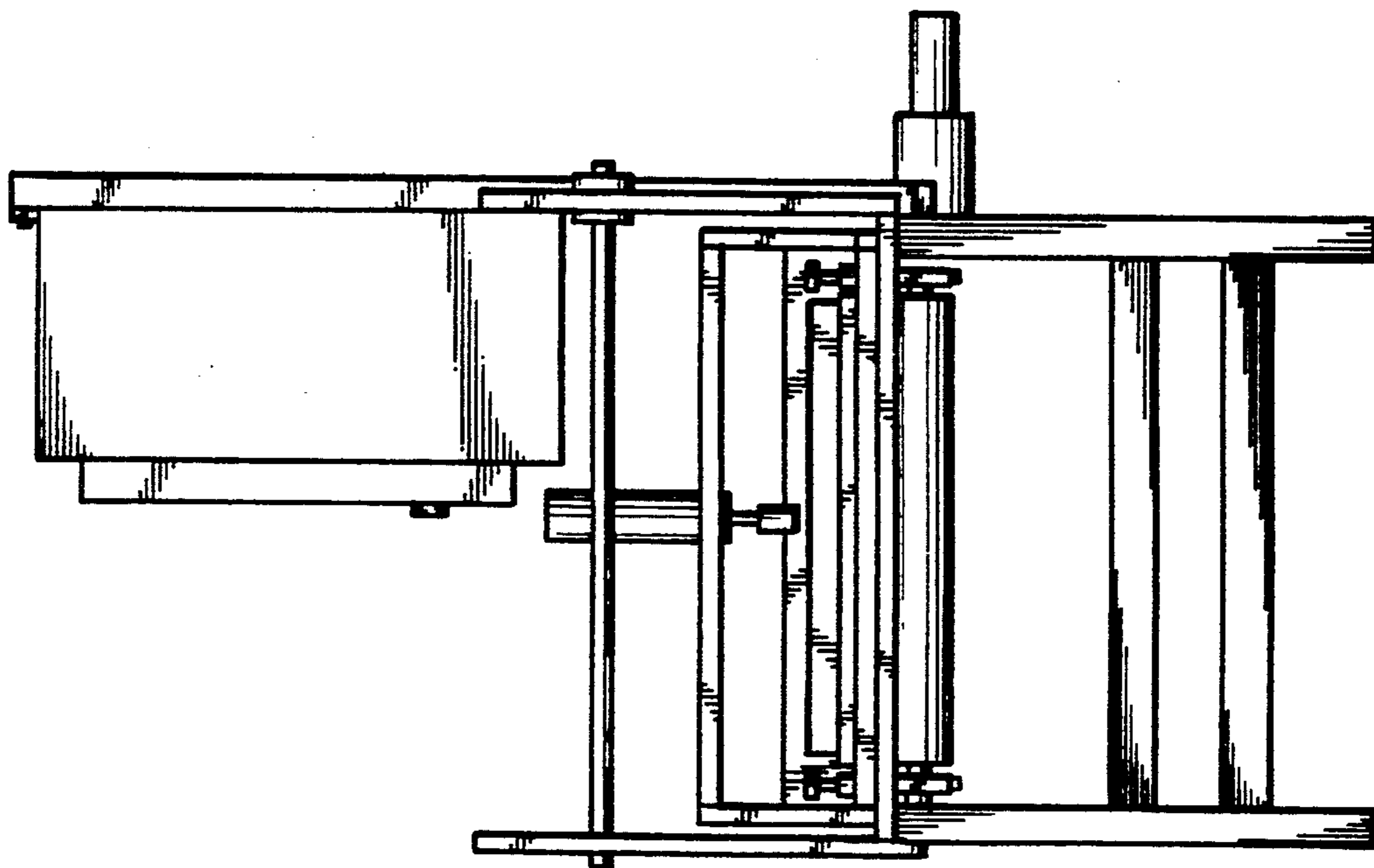


FIG. 4

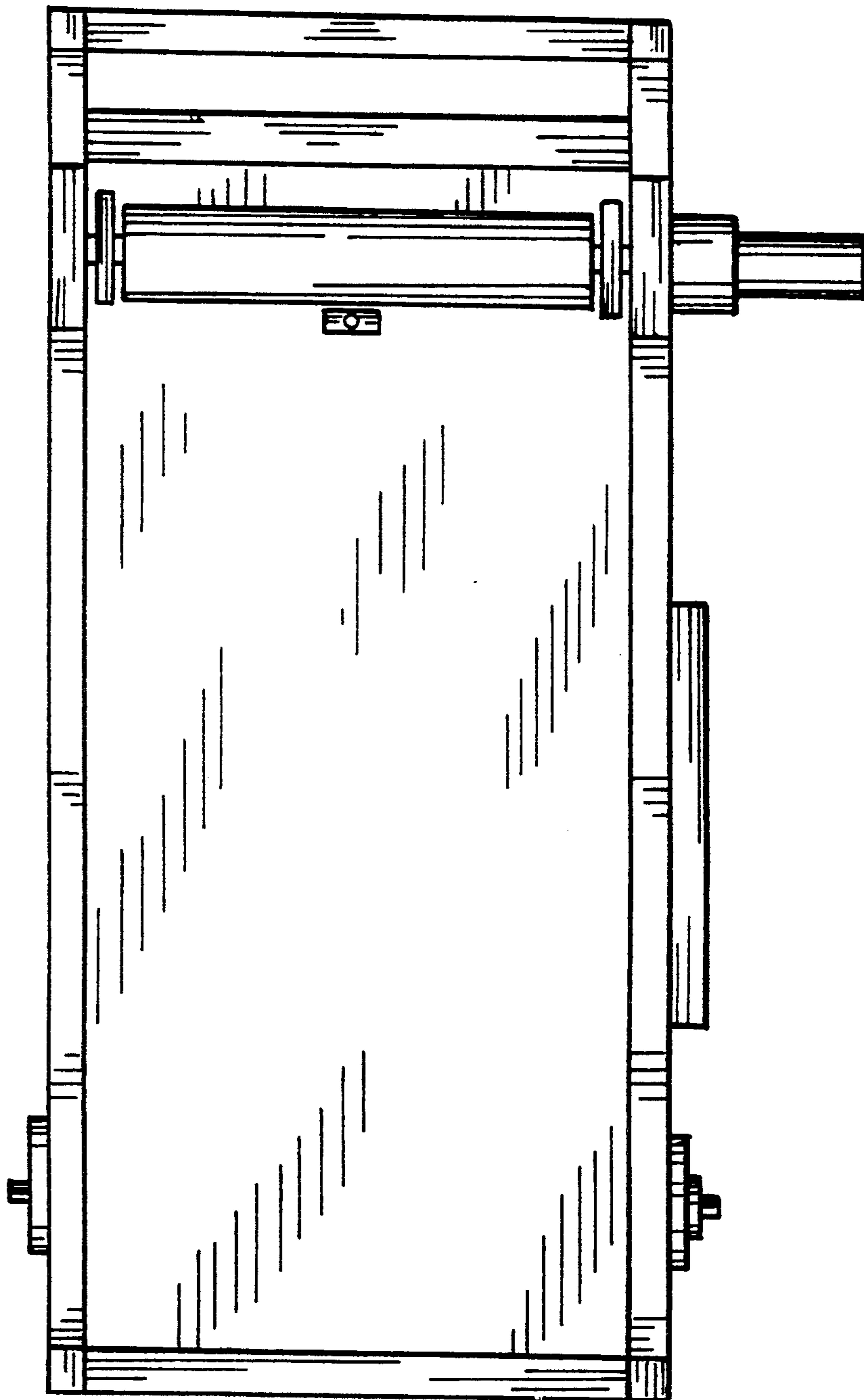


FIG. 6