



US00D329435S

# United States Patent [19]

[11] Patent Number: **Des. 329,435**

**Katoh et al.**

[45] Date of Patent: **\*\* Sep. 15, 1992**

[54] **AGRICULTURAL TRACTOR**

4,235,470 11/1980 Kauss et al. .... 180/89.12  
4,506,756 3/1985 Bergous ..... 180/89.1

[75] Inventors: **Hisato Katoh; Kenichi Sato; Seiichi Takahashi**, all of Osaka, Japan

### OTHER PUBLICATIONS

Implement & Tractor, Mar. 31, 1986, p. 2, tractor.

[73] Assignee: **Kubota Ltd.**, Osaka, Japan

*Primary Examiner*—Bernard Ansher

[\*\*] Term: **14 Years**

*Assistant Examiner*—Sandra Morris

[21] Appl. No.: **346,820**

### [57] CLAIM

[22] Filed: **May 3, 1989**

The ornamental design for an agricultural tractor, as shown.

[52] U.S. Cl. .... **D15/23**

[58] Field of Search ..... **D15/10-12, D15/14-16, 22-26; 180/89.1, 89.12, 89.13, 89.19, 900; 56/202, 320.1, 320.2**

### DESCRIPTION

### [56] References Cited

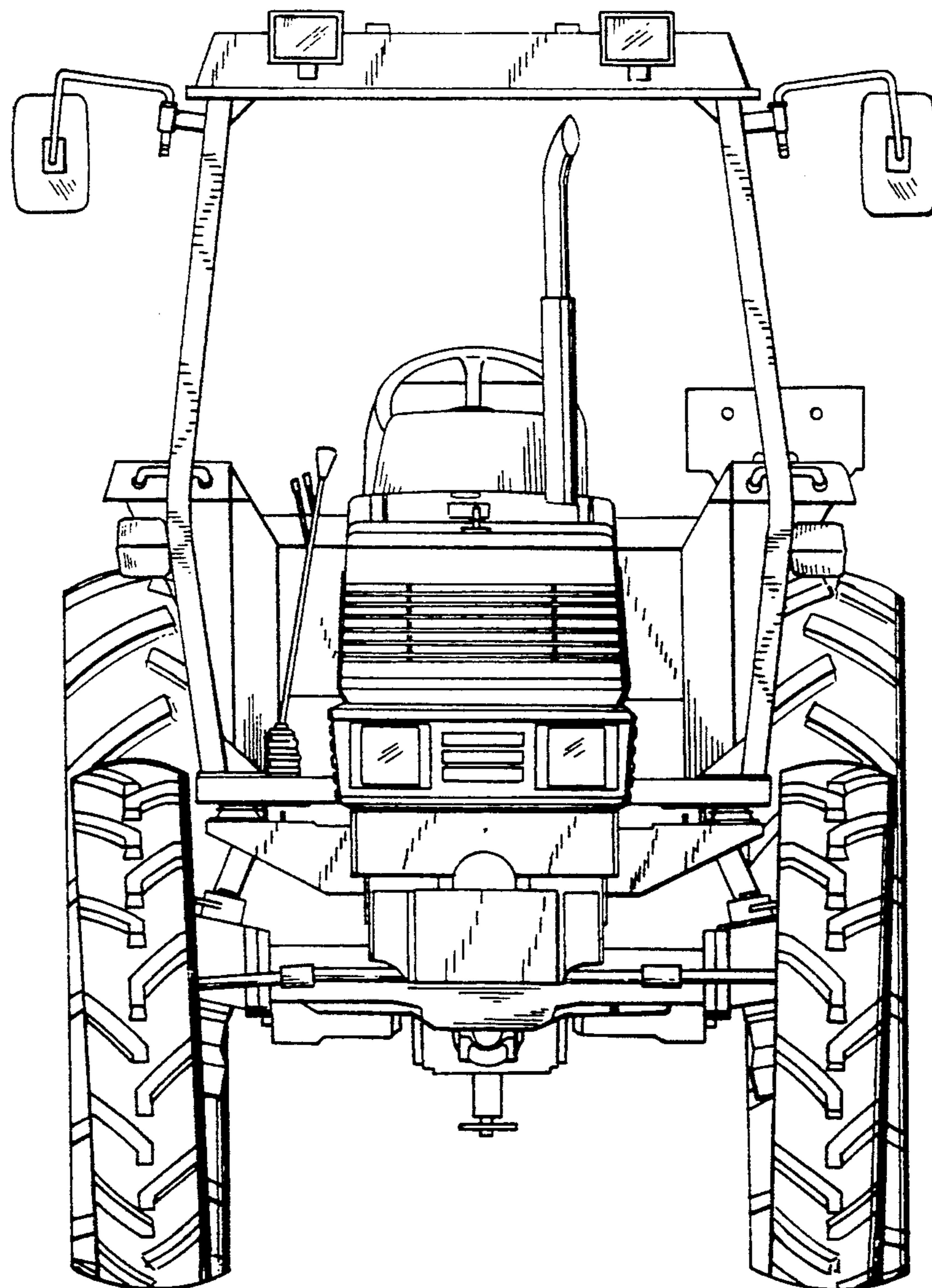
#### U.S. PATENT DOCUMENTS

- D. 274,524 7/1984 Koval et al. .... D15/23
- D. 297,239 8/1988 Funabashi et al. .... D15/23
- D. 301,039 5/1989 Funabashi et al. .... D15/23

FIG. 1 is a front elevational view of an agricultural tractor showing our new design;  
FIG. 2 is a right side elevational view thereof;  
FIG. 3 is a top plan view thereof;  
FIG. 4 is a left side elevational view thereof;  
FIG. 5 is a rear elevational view thereof; and,  
FIG. 6 is a perspective view thereof.



**FIG. 1**





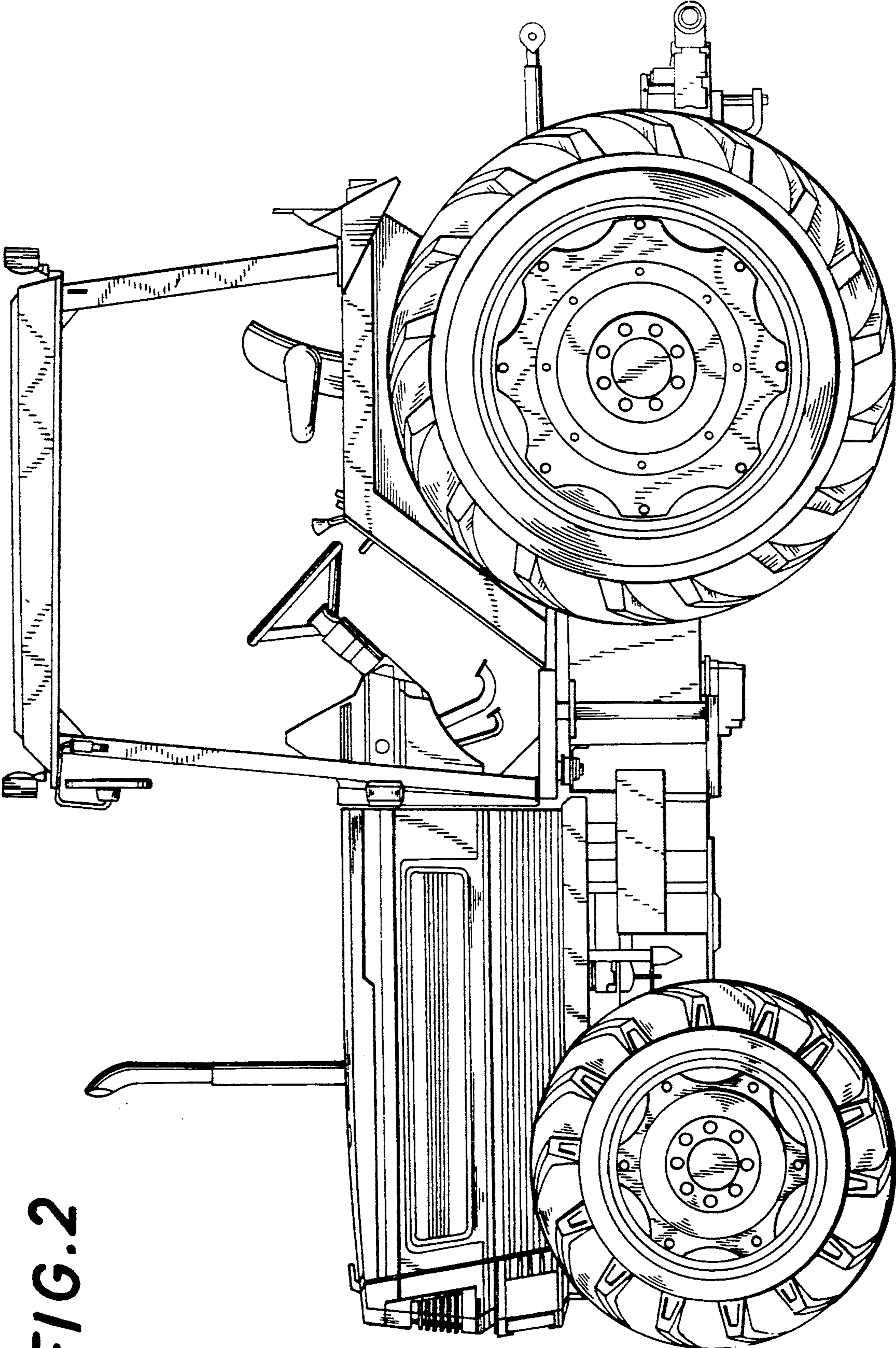
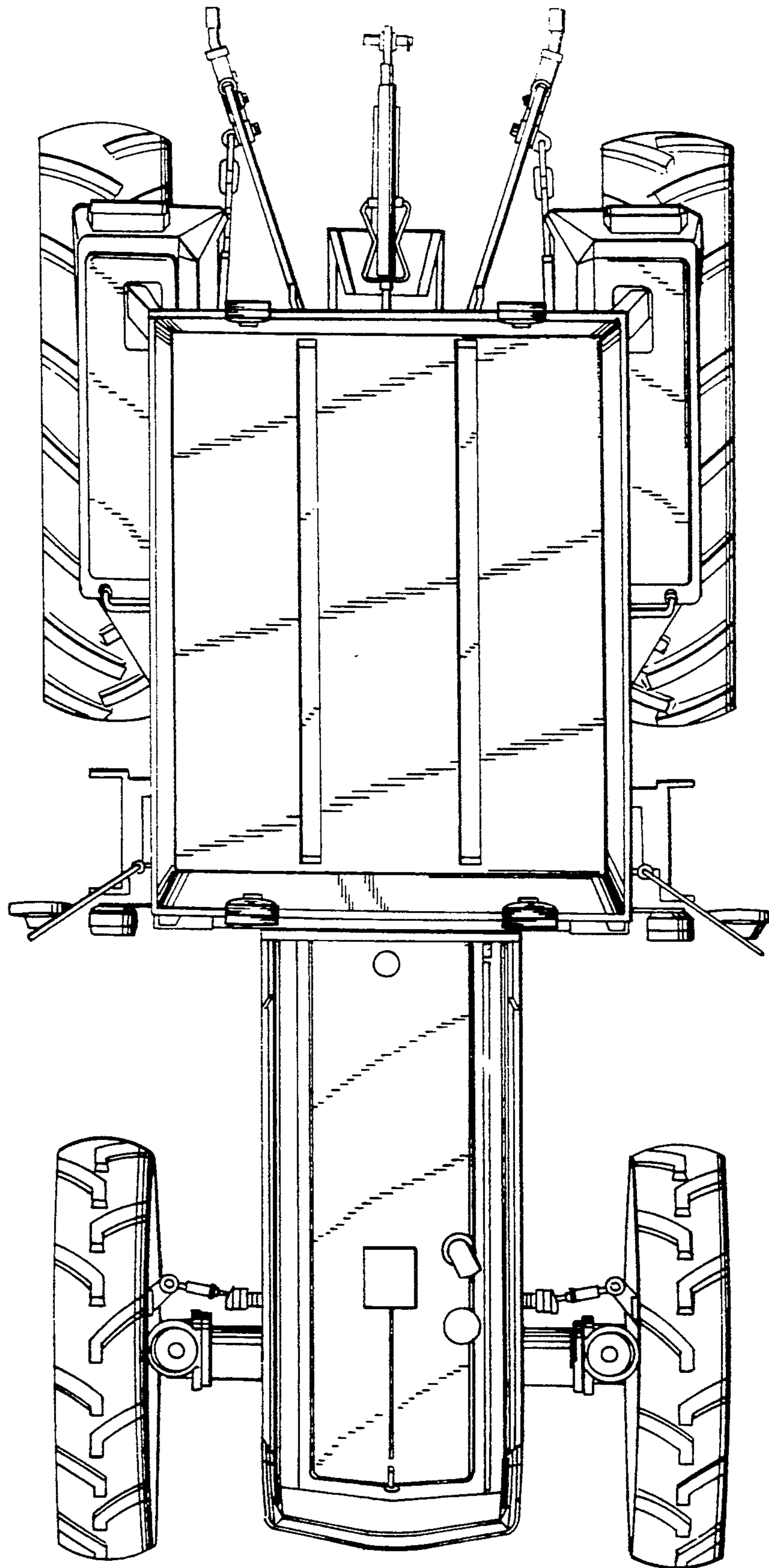


FIG. 2

FIG. 3





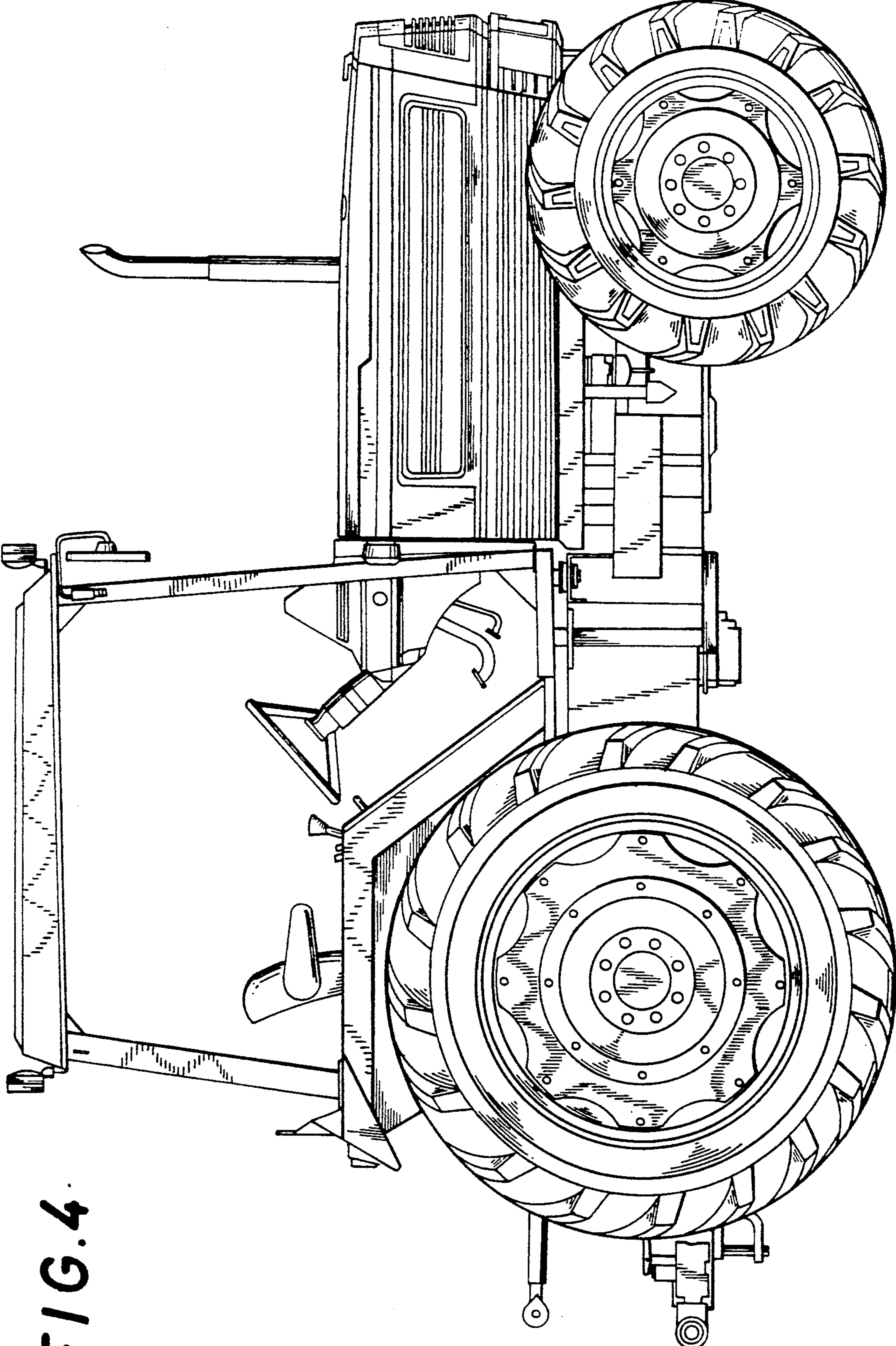
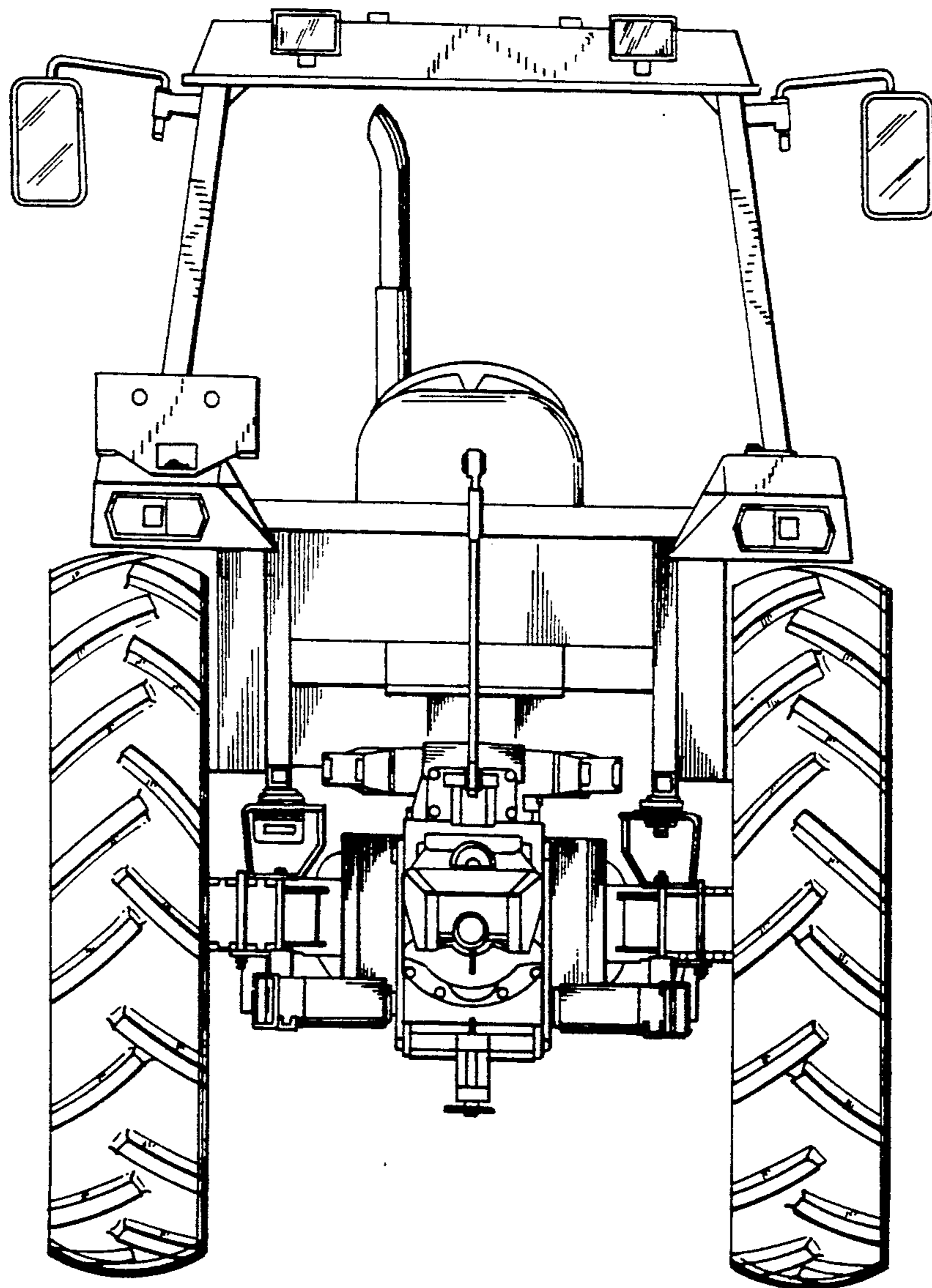


FIG. 4

**FIG. 5**



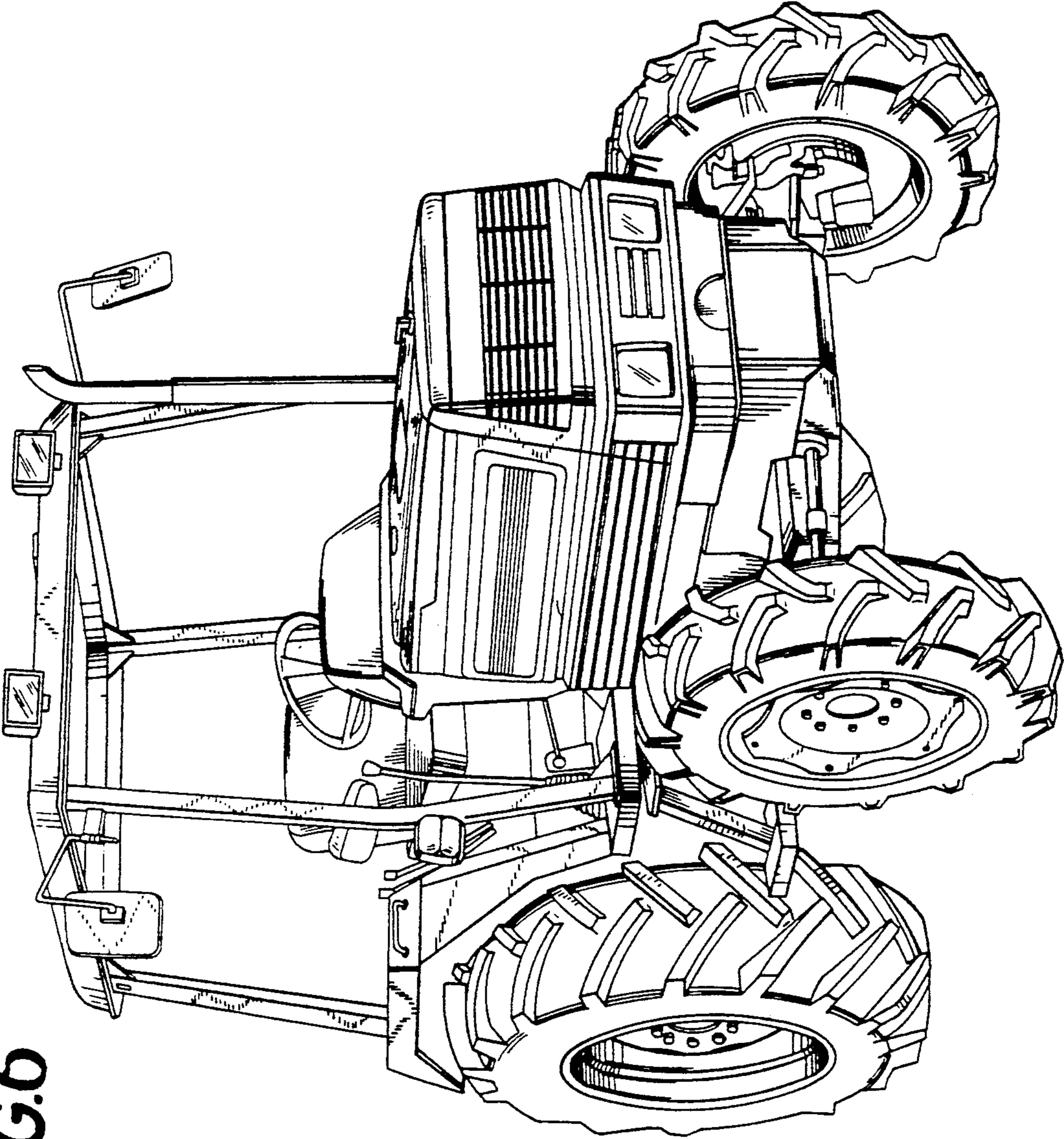


FIG.6