



US00D329434S

United States Patent [19]

[11] Patent Number: **Des. 329,434**

Toyoda et al.

[45] Date of Patent: **** Sep. 15, 1992**

[54] COMBINED RODLESS FLUID PRESSURE CYLINDER AND SWITCH INSTALLATIONS

[76] Inventors: **Shigehiro Toyoda**, 465, Arai, Masaki-cho, Hashima-shi, Gifu-ken; **Junji Mitsuura**, 53, Aza Fujitsuka, Oaza Murakuno, Kounan-shi, Aichi-ken; **Masatoshi Shiino**, 16, Kakami Yamanomae-cho 2-chome, Kakamigahara-shi, Gifu-ken; **Hisanobu Niwa**, 11-16, Oaza Koga 2-chome, Komaki-shi, Aichi-ken, all of Japan

[*] Notice: The portion of the term of this patent subsequent to Jul. 2, 2005 has been disclaimed.

[**] Term: **14 Years**

[21] Appl. No.: **330,734**

[22] Filed: **Mar. 30, 1989**

[30] Foreign Application Priority Data

Sep. 30, 1988 [JP] Japan 63-38448

[52] U.S. Cl. **D15/5; D13/158**

[58] Field of Search **D13/158, 160; D15/5, D15/7, 9; 92/88, 128, 138, 153, 178, 240; 200/293-294, 296, 280, 303, 308**

[56] References Cited

U.S. PATENT DOCUMENTS

D. 255,030	5/1980	Holce et al.	D13/158
D. 303,393	9/1989	Stoll	D17/7
D. 317,922	7/1991	Toyoda et al.	D15/5
4,545,290	10/1985	Lieberman	92/88
4,735,047	4/1988	Wiedmann	92/88 X
4,813,341	3/1989	Vaughn	92/88
4,926,982	5/1990	Granbom	92/88 X

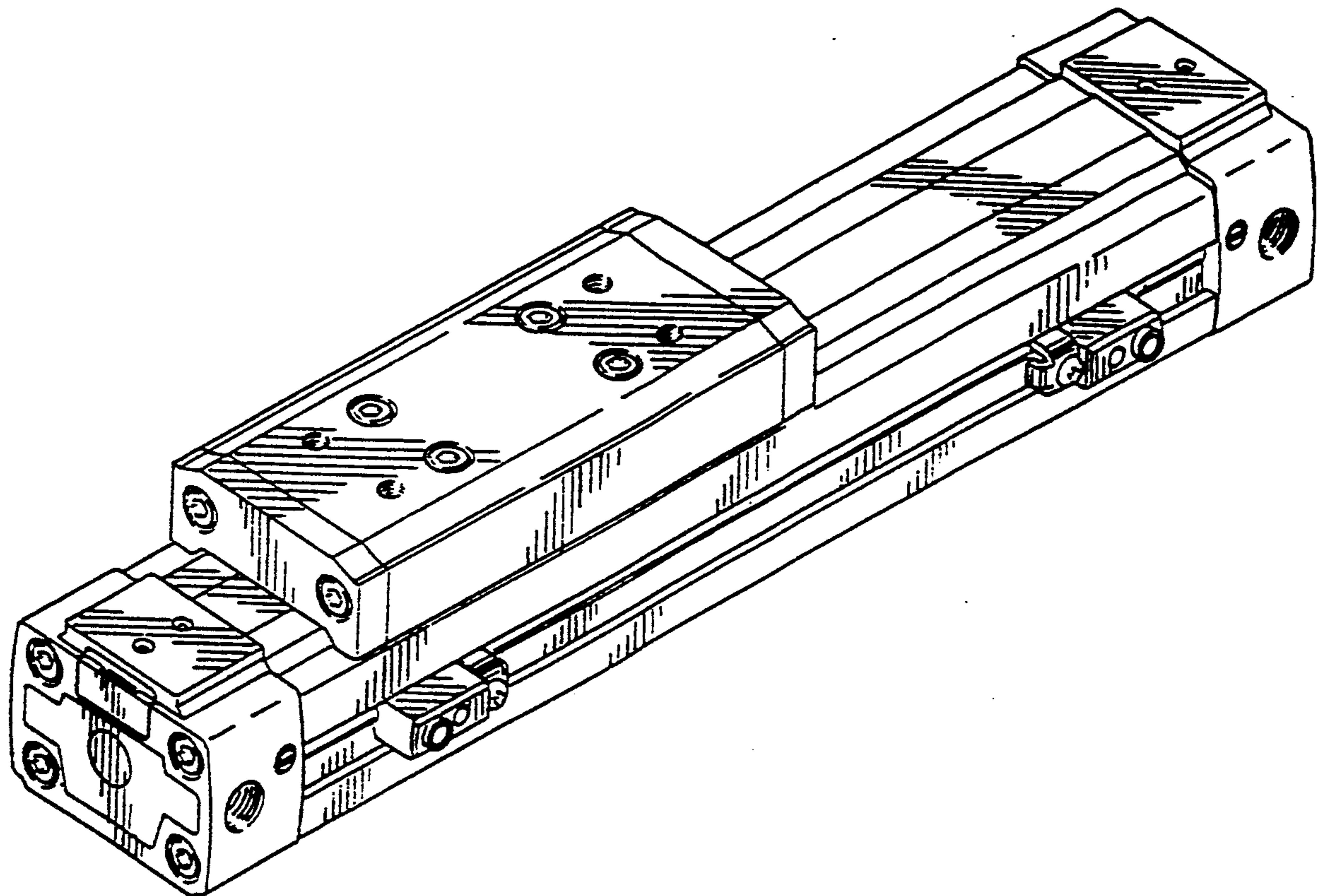
Primary Examiner—Susan J. Lucas
Assistant Examiner—M. H. Tung
Attorney, Agent, or Firm—Welsh & Katz, Ltd.

[57] CLAIM

The ornamental design for a combined rodless fluid pressure cylinder and switch installations, as shown and described.

DESCRIPTION

FIG. 1 is a top plan view of a combined rodless fluid pressure cylinder and switch installations showing our new designs; FIG. 2 is a front elevational view thereof; FIG. 3 is a bottom plan view thereof; FIG. 4 is a rear elevational view thereof; FIG. 5 is a right side elevational view thereof, the left side being identical; and, FIG. 6 is a front, top, left side perspective view thereof.



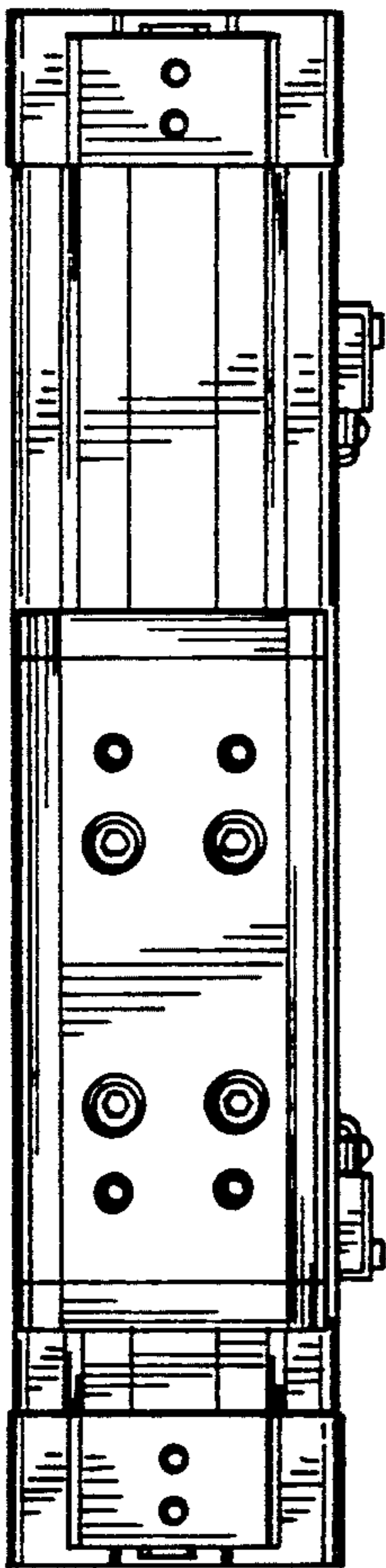


FIG. 1

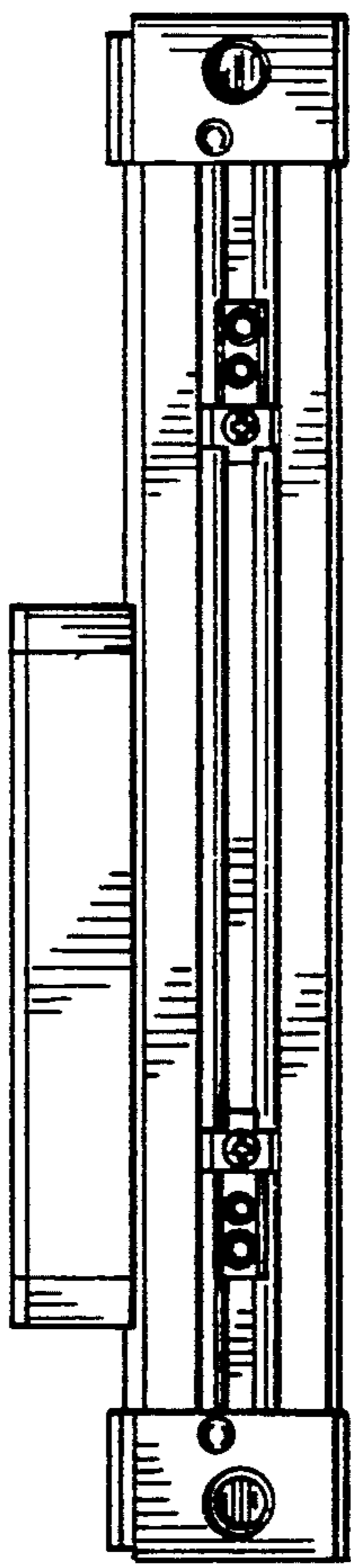


FIG. 2

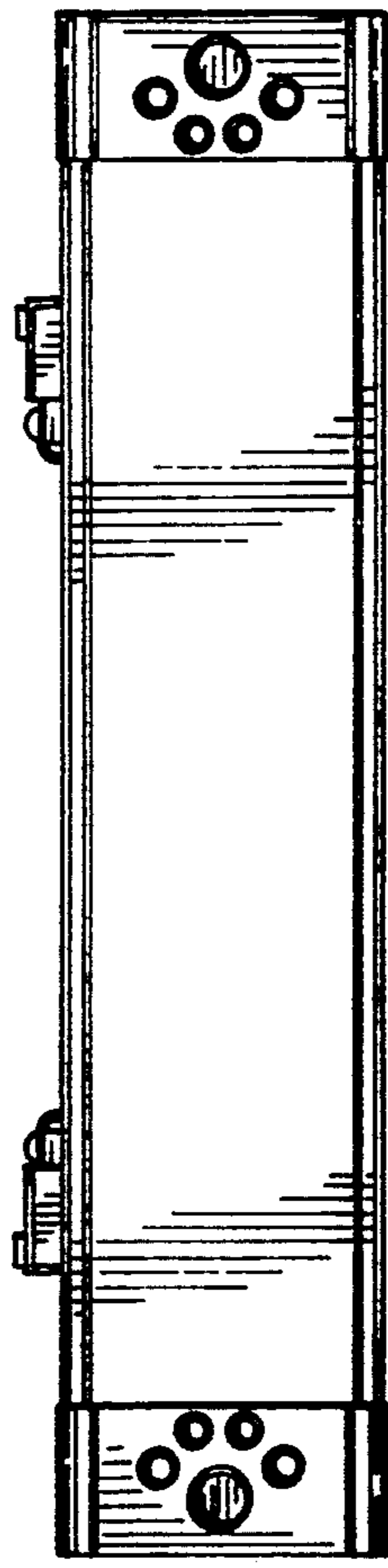


FIG. 3

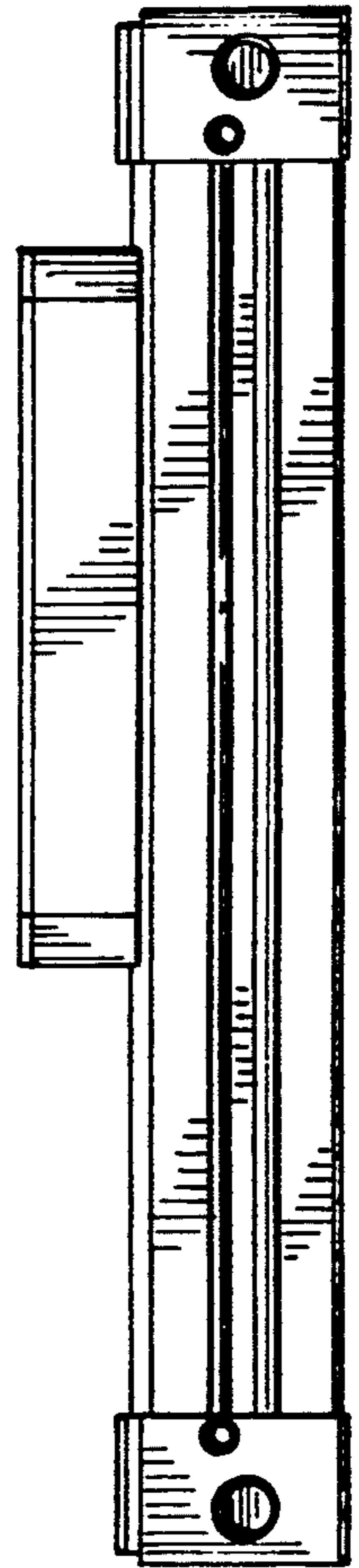


FIG. 4

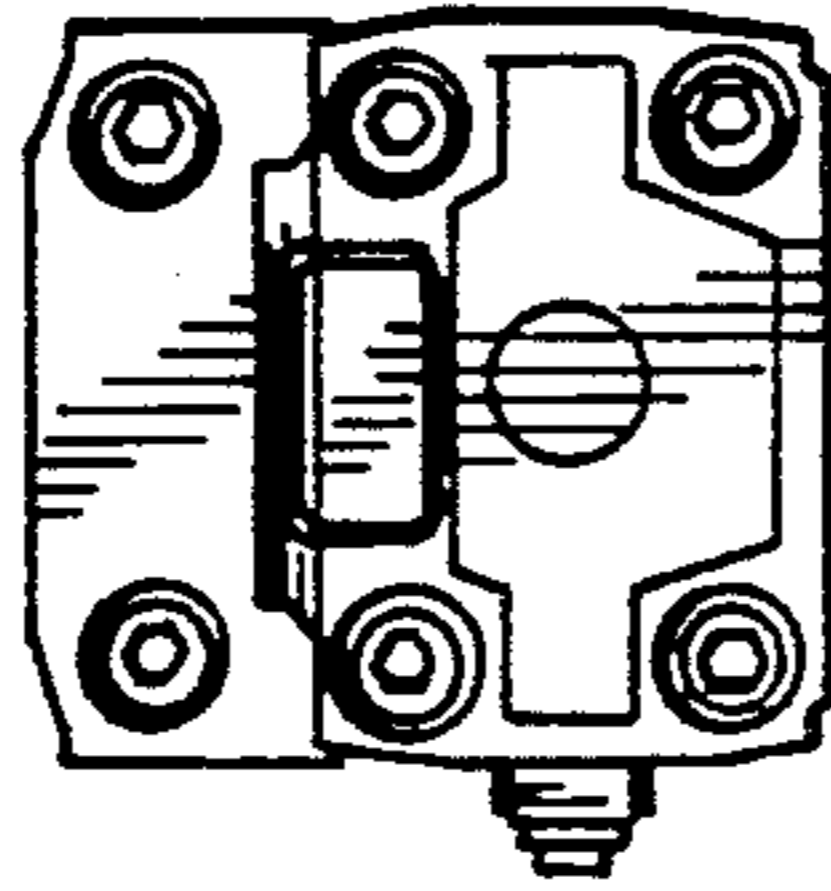


FIG. 5

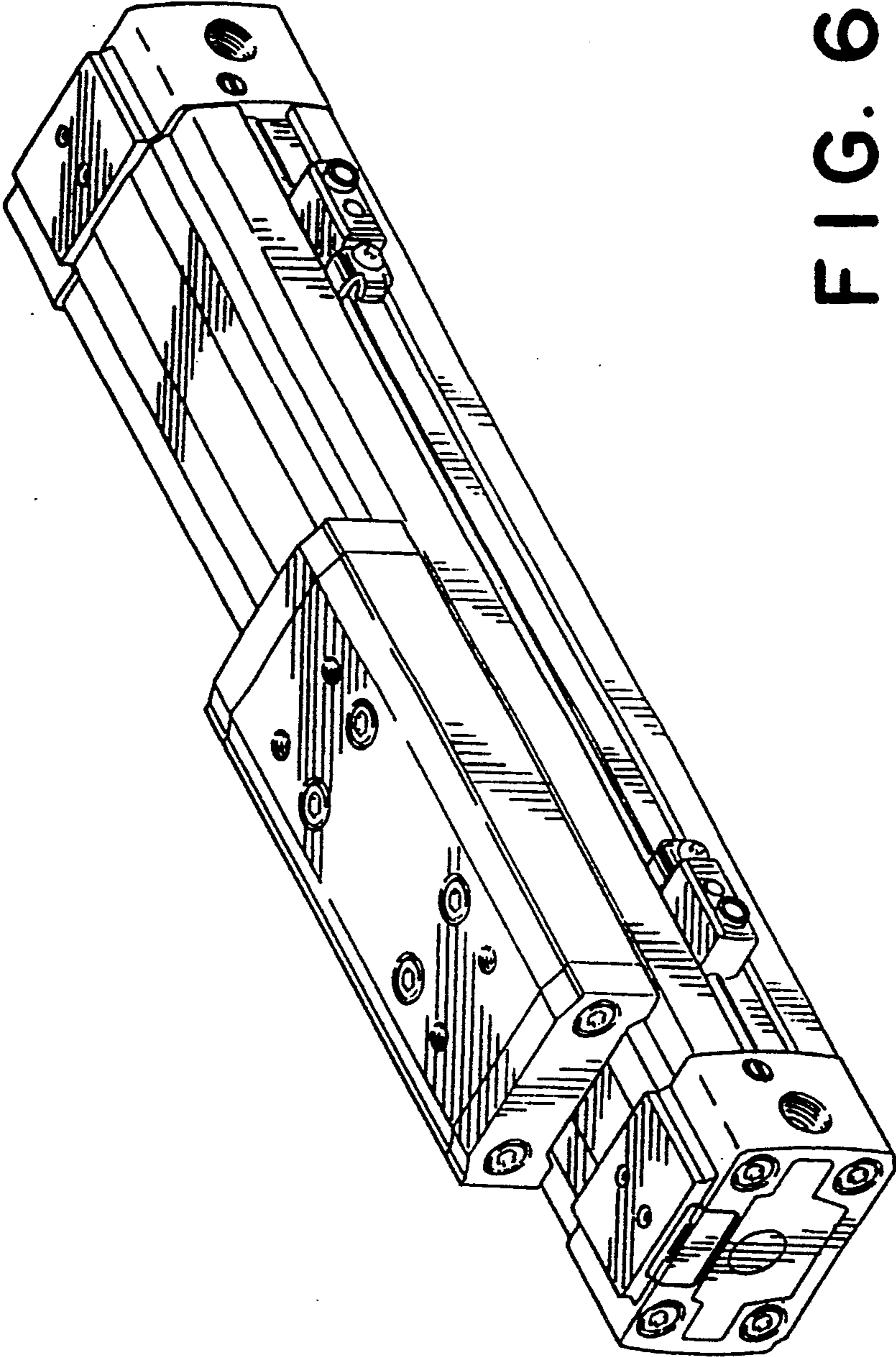


FIG. 6