



US00D329432S

# United States Patent [19]

[11] Patent Number: Des. 329,432

Dewees et al.

[45] Date of Patent: \*\* Sep. 15, 1992

## [54] MICROPHONE AND SUPPORT THEREFOR

[75] Inventors: Paul J. Dewees; Richard W. Dewees, both of Prairie Village, Kans.; Milton N. Lanford, Morrilton, Ark.

[73] Assignee: Missouri Auction School, Inc., Kansas City, Mo.

[\*\*] Term: 14 Years

[21] Appl. No.: 495,222

[22] Filed: Mar. 19, 1990

[52] U.S. Cl. .... D14/225

[58] Field of Search ..... D14/225-229;  
381/91, 122, 155, 159, 168, 169, 170; 379/430,  
444

### [56] References Cited

#### U.S. PATENT DOCUMENTS

D. 262,286	12/1981	Austin et al. ....	D14/225
D. 281,420	11/1985	Rosenthal .....	D14/229
3,555,207	1/1971	Cegh .....	379/430
4,672,976	6/1987	Kroll .....	381/169
4,893,344	1/1990	Tragardh et al. ....	379/430

## OTHER PUBLICATIONS

David Clark Series 3100 Catalog, p. 4, Model 3161 & 3162 Units.

Primary Examiner—Charles A. Rademaker  
Attorney, Agent, or Firm—Hovey, Williams, Timmons & Collins

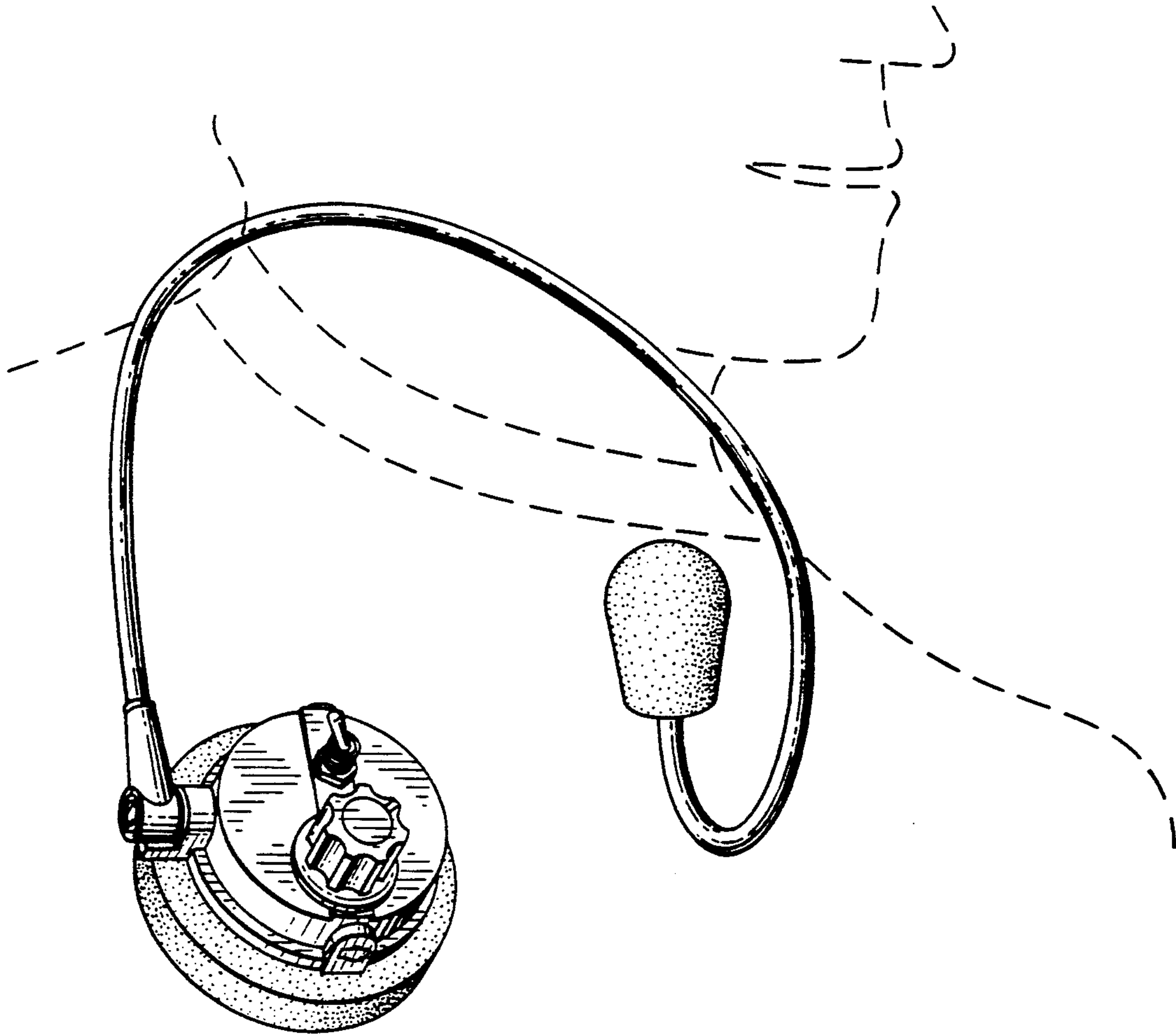
## [57] CLAIM

The ornamental design for a microphone and support therefor, as shown and described.

## DESCRIPTION

FIG. 1 is a front perspective view of a microphone and support therefor showing our new design; FIG. 2 is a front elevational view thereof; FIG. 3 is a side elevational view thereof; FIG. 4 is a bottom plan view thereof; and, FIG. 5 is a rear elevational view thereof.

The broken line showing of a human head in FIG. 1 is for illustrative purposes only and forms no part of the claimed design. The support member has been shown in fragment in FIGS. 2 through 5 for ease of illustration only.



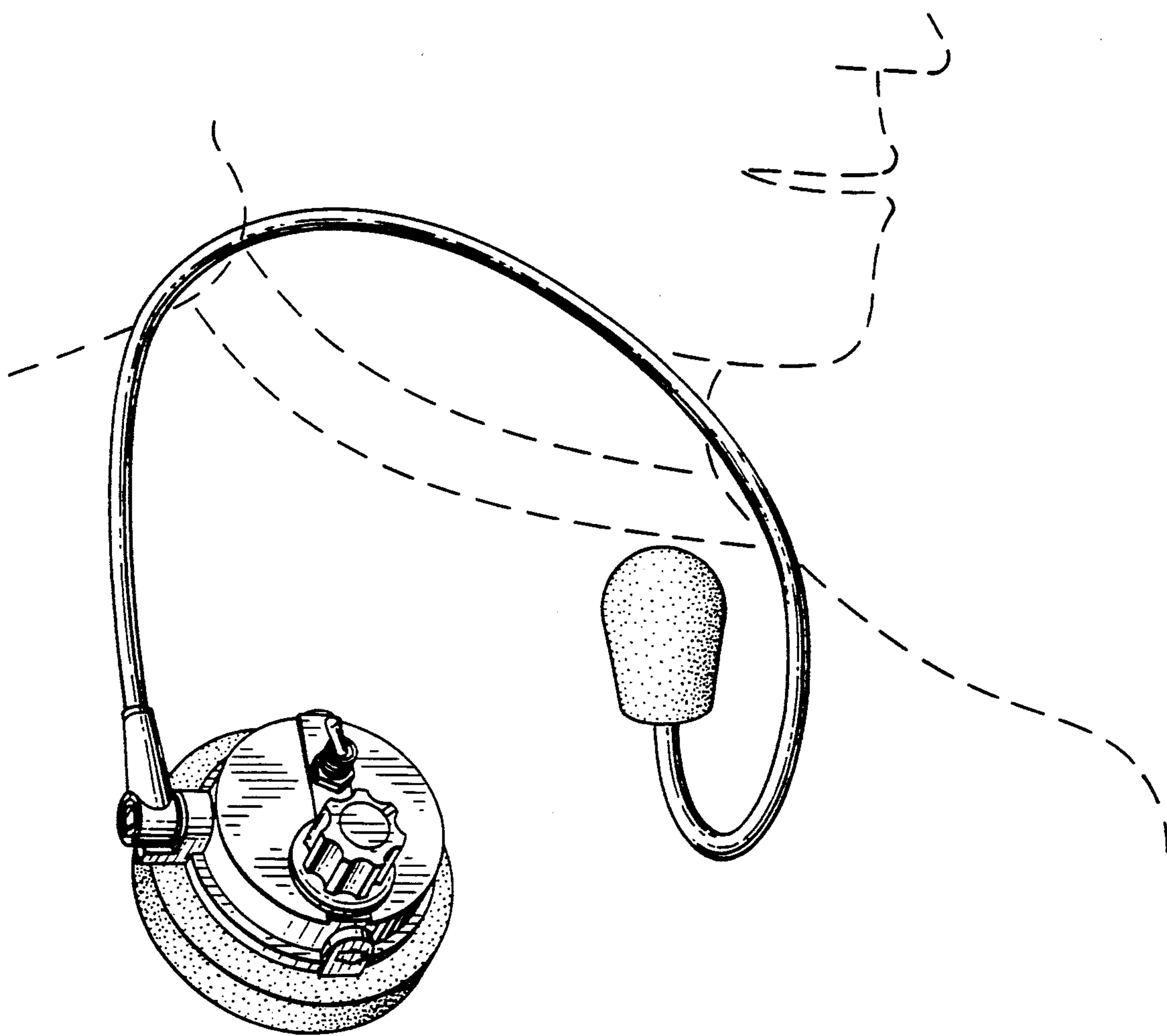


FIG. 1.

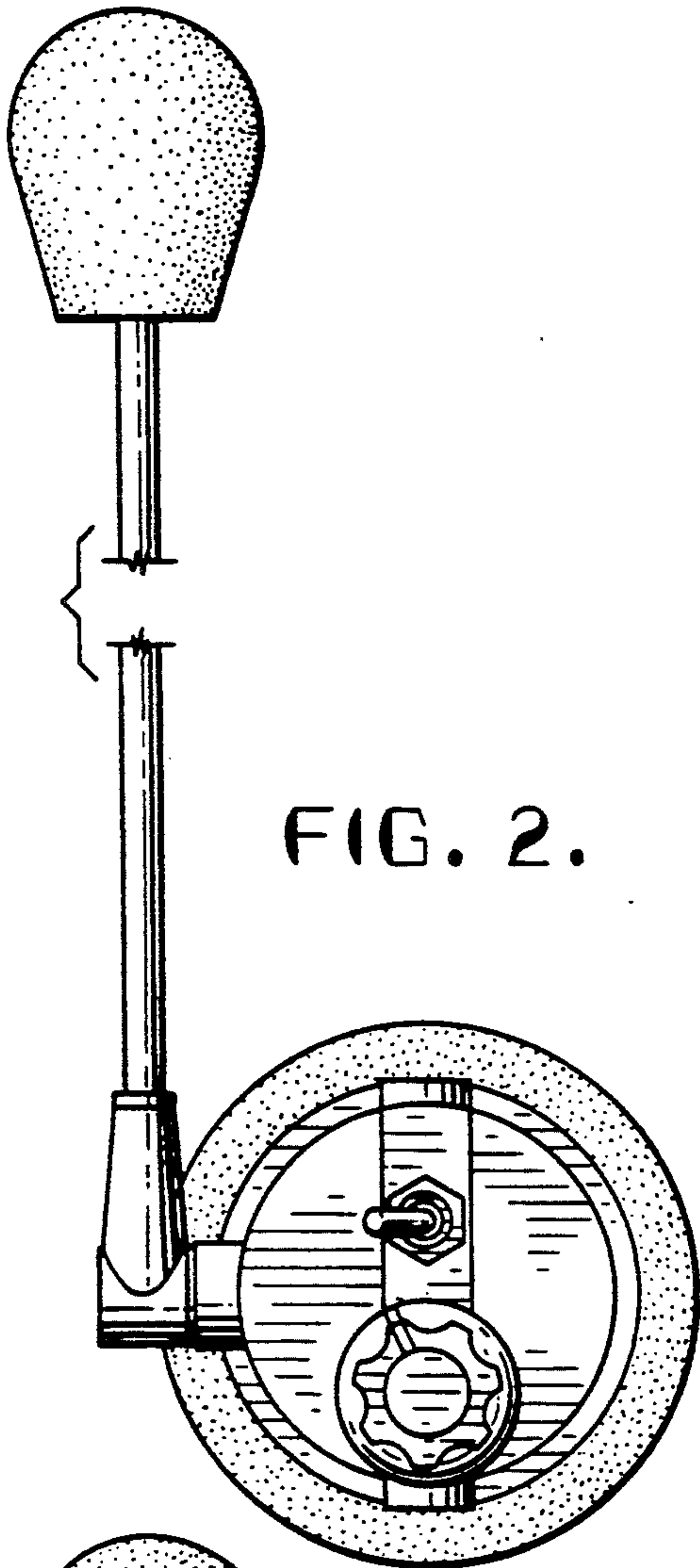


FIG. 2.

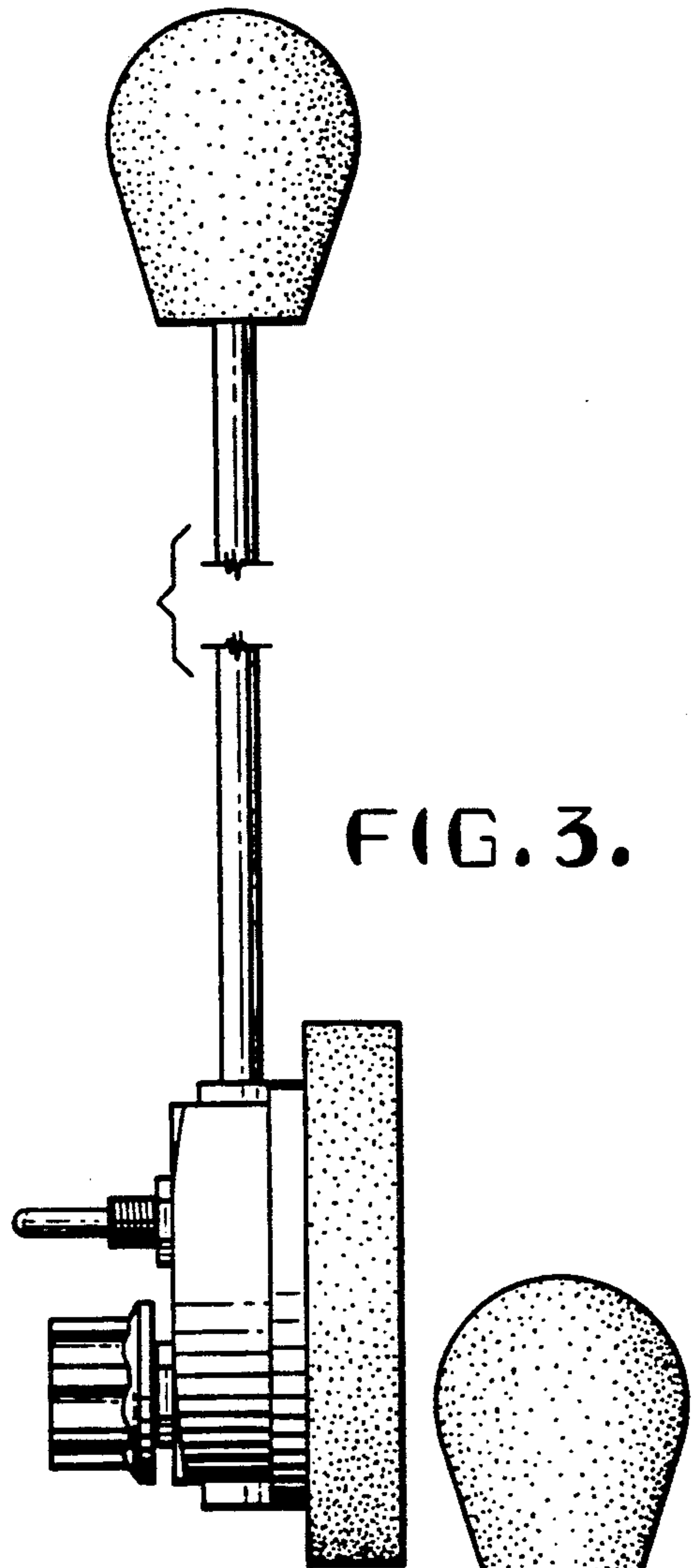


FIG. 3.

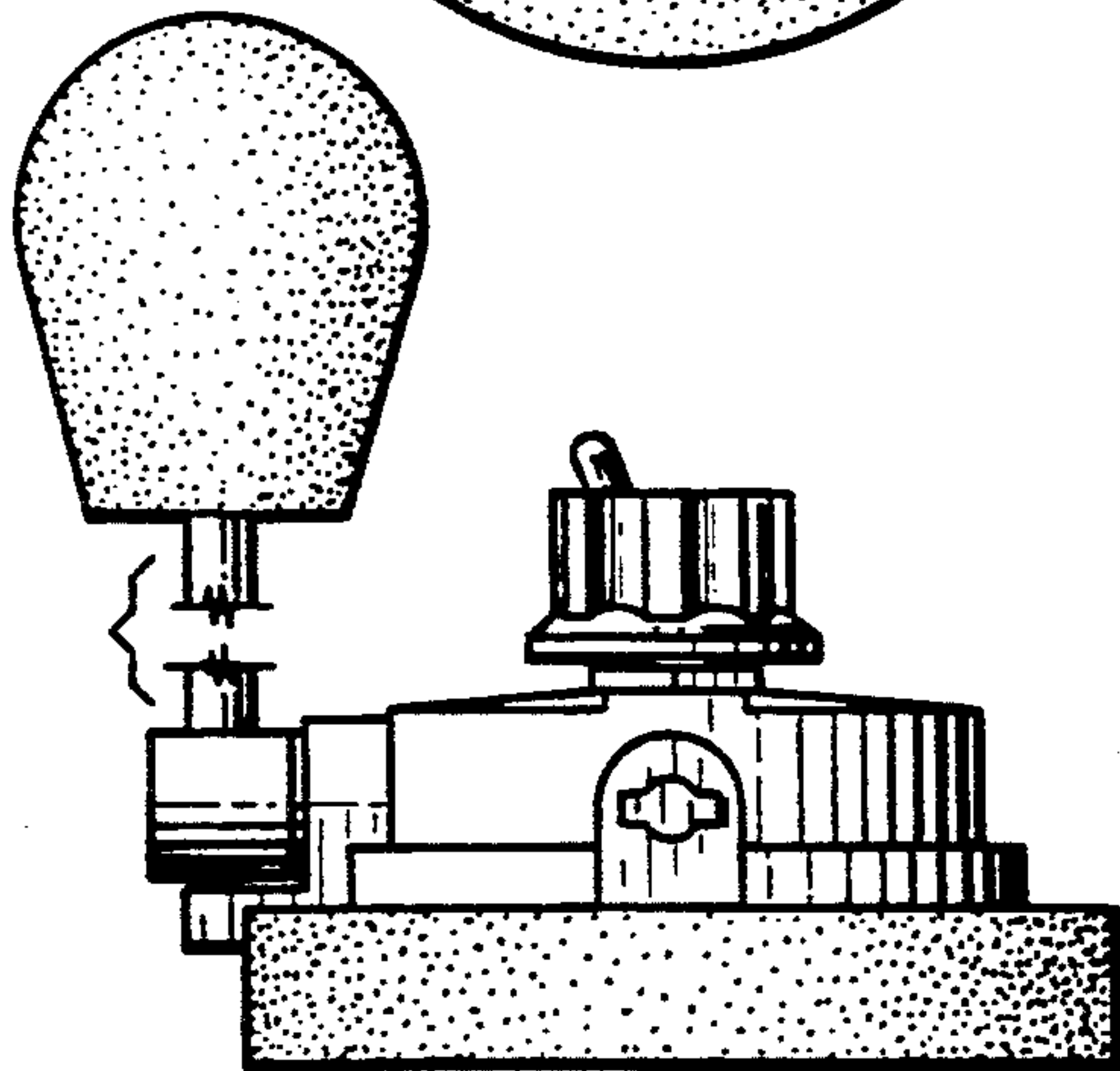


FIG. 4.

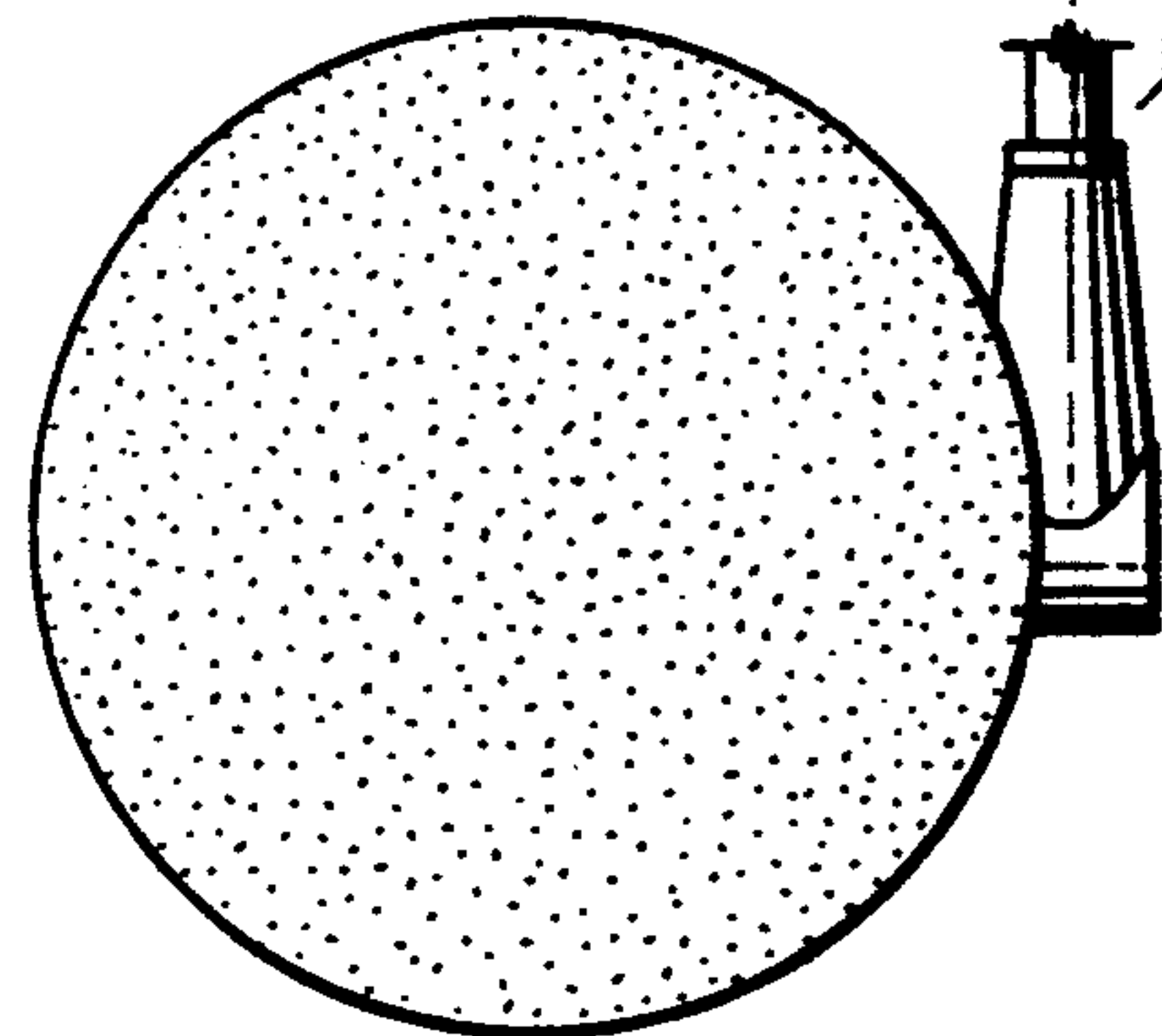


FIG. 5.