



US00D329429S

# United States Patent [19]

[11] Patent Number: Des. 329,429

Sandberg et al.

[45] Date of Patent: \*\* Sep. 15, 1992

[54] COMBINED TELEVISION, RADIO AND BINOCULARS

4,676,619 6/1987 Woolley ..... 455/344 X  
5,023,706 6/1991 Sandberg ..... 358/254

[75] Inventors: Thomas M. Sandberg, Minneapolis;  
Johannes N. Gaston, Minnetonka,  
both of Minn.

Primary Examiner—Theodore M. Shooman  
Attorney, Agent, or Firm—Merchant, Gould, Smith,  
Edell, Welter & Schmidt

[73] Assignee: The Kenyon Consortium,  
Minneapolis, Minn.

### [57] CLAIM

[\*\*] Term: 14 Years

The ornamental design for combined television, radio and binoculars, as shown and described.

[21] Appl. No.: 487,761

### DESCRIPTION

[22] Filed: Feb. 27, 1990

[52] U.S. Cl. .... D14/129; D14/168

[58] Field of Search ..... D14/124-135,  
D14/113, 168, 188; 358/236-239, 254-255;  
312/7.2; D16/133; 455/344, 347, 351

FIG. 1 is a top, front and right side perspective view of a combined television, radio and binoculars showing our new design;

FIG. 2 is a left side elevation view thereof, the right elevation view being a mirror image thereof;

FIG. 3 is a front elevation view thereof;

FIG. 4 is a bottom plan view thereof;

FIG. 5 is a rear elevation view thereof;

FIG. 6 is a top plan view thereof; and

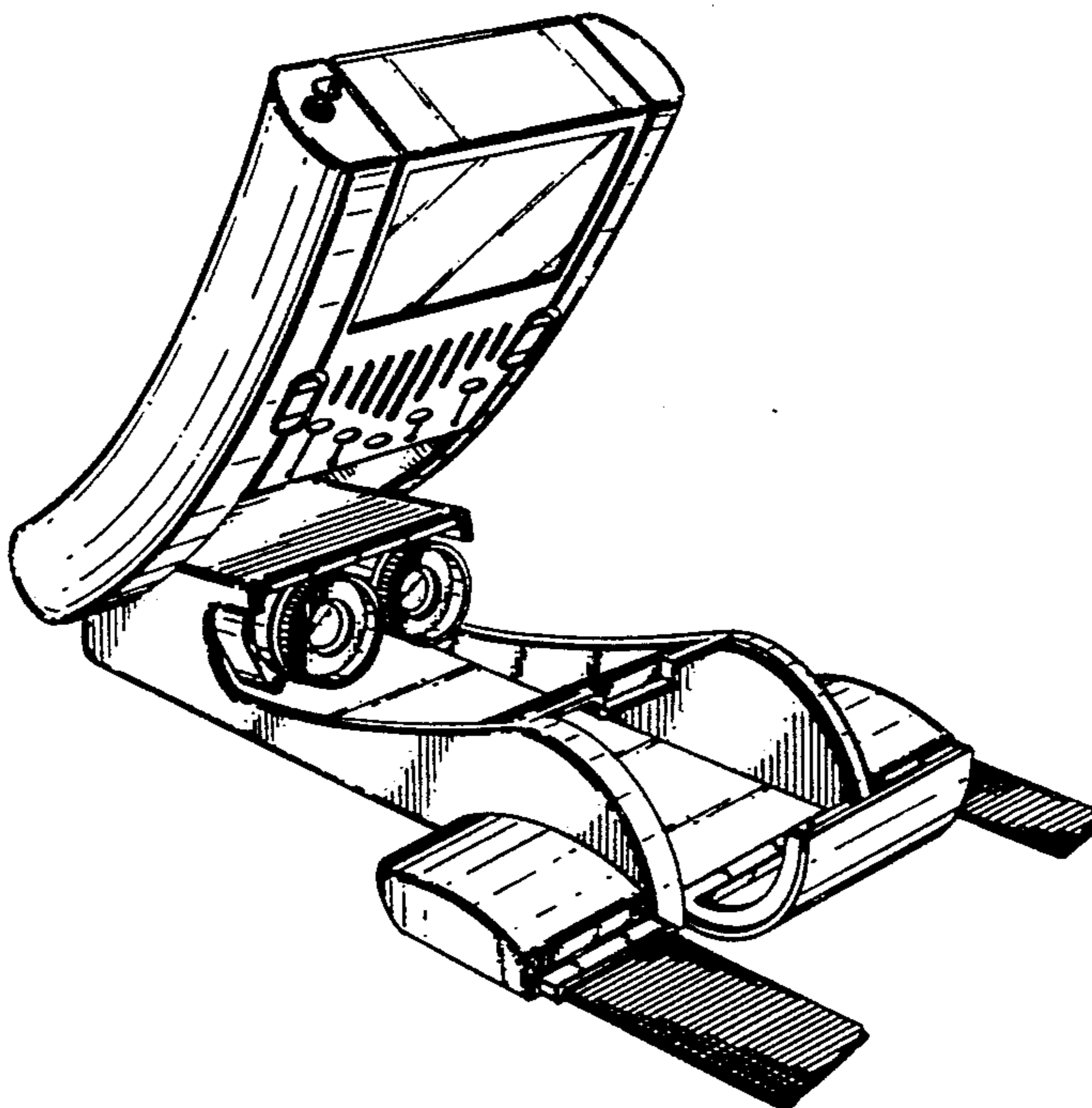
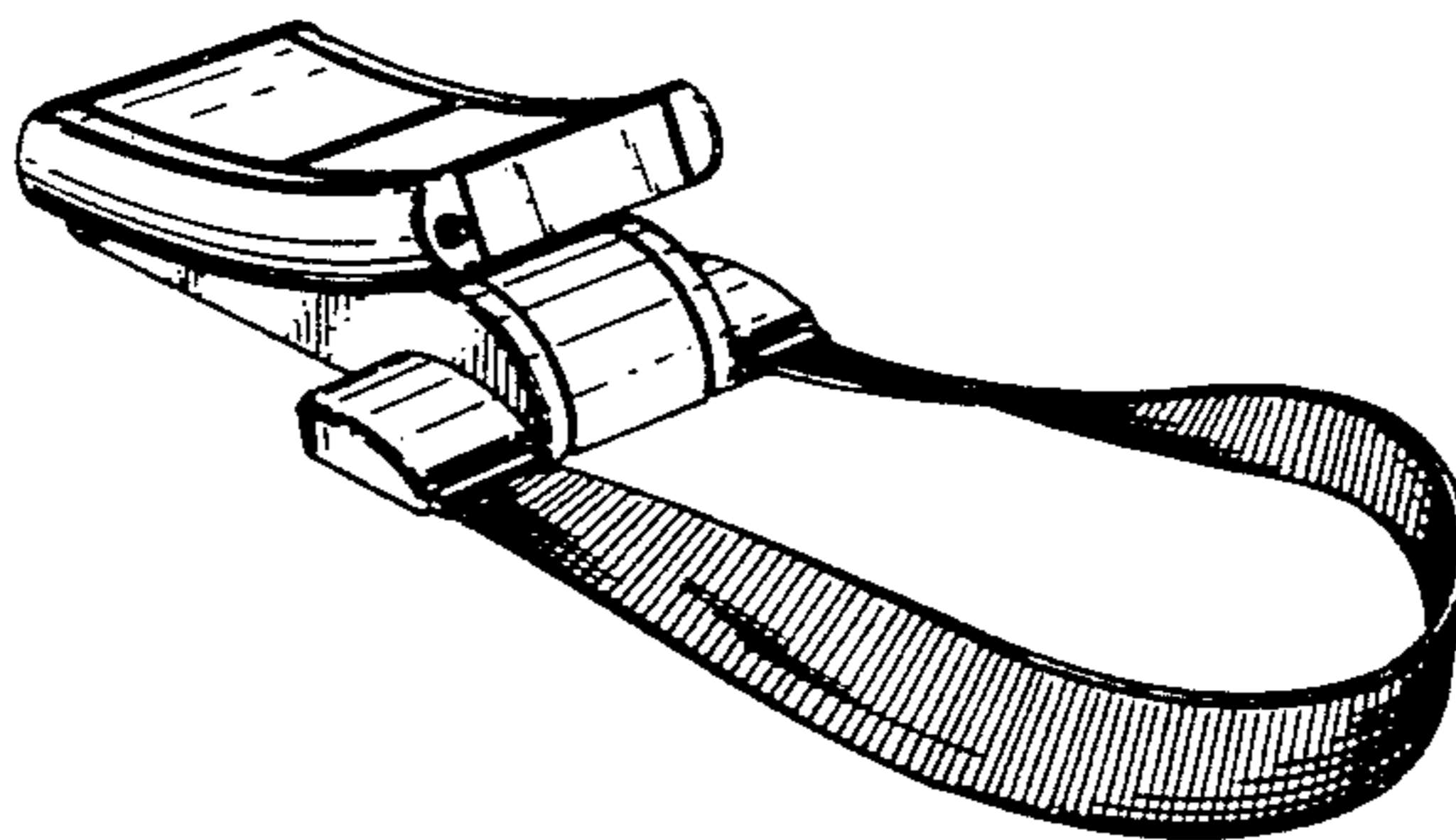
FIG. 7 is a top, front and right side perspective view of our design shown in an open condition.

The straps are broken away in FIGS. 2, 3 and 5 for ease of illustration.

### [56] References Cited

#### U.S. PATENT DOCUMENTS

D. 206,462	12/1966	Petrusek	.....	D14/168
D. 252,996	9/1979	Woolley	.....	D16/133 X
D. 298,534	11/1988	Turner	.....	D14/131
3,761,815	9/1973	Bower	.....	455/344 X



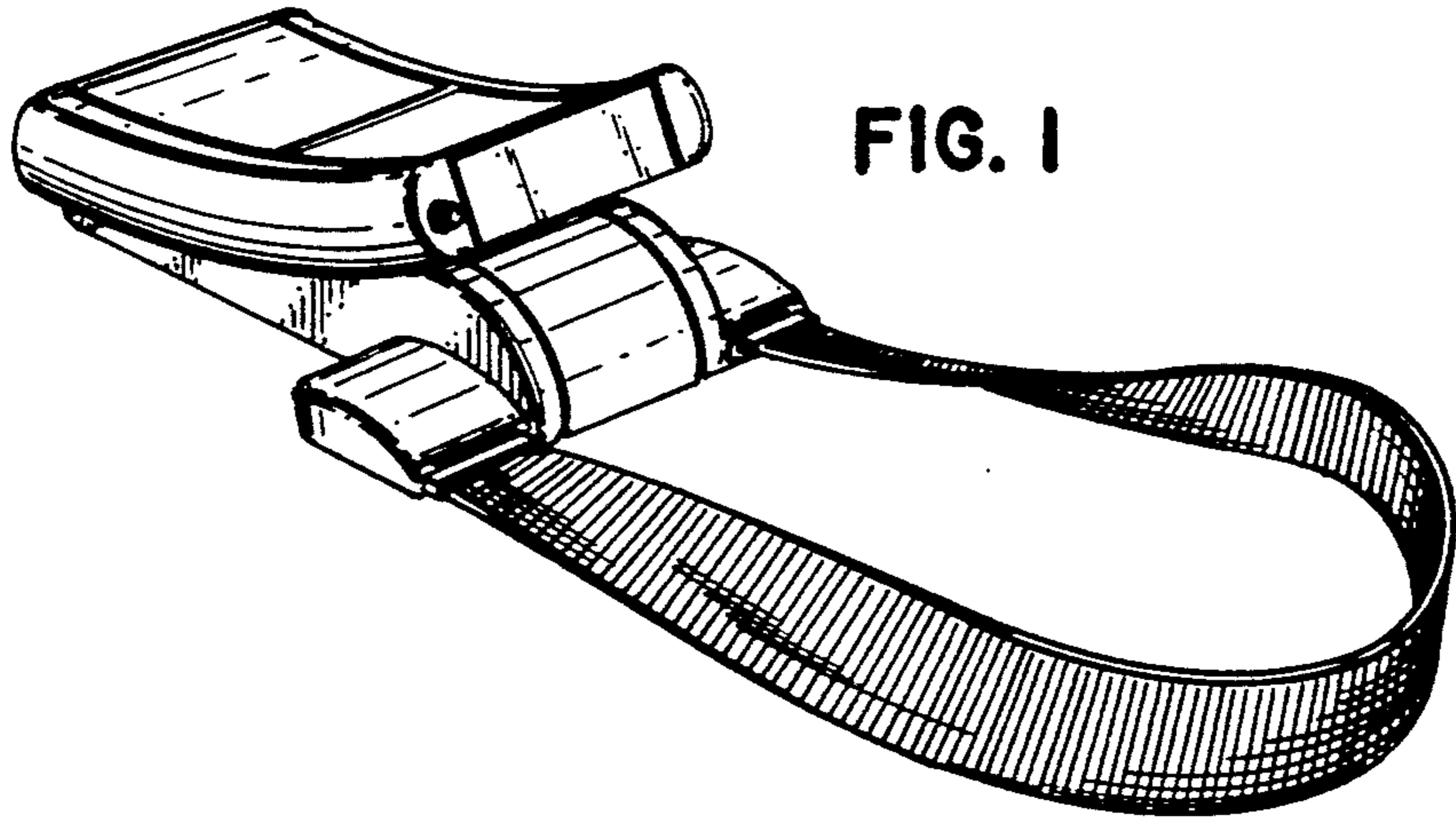


FIG. 1

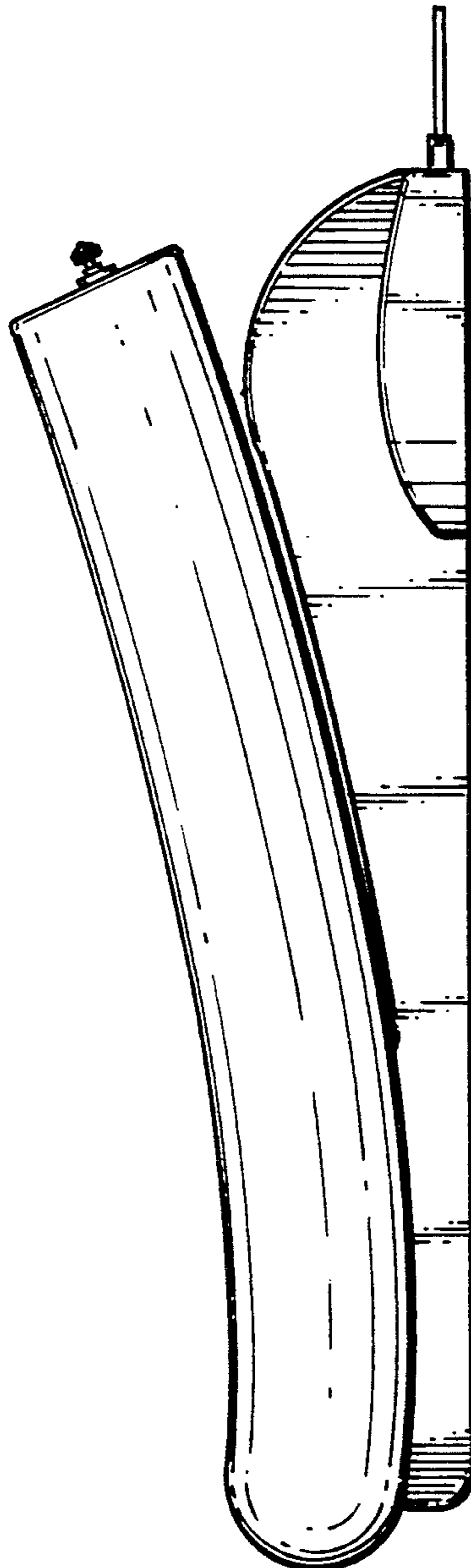


FIG. 2

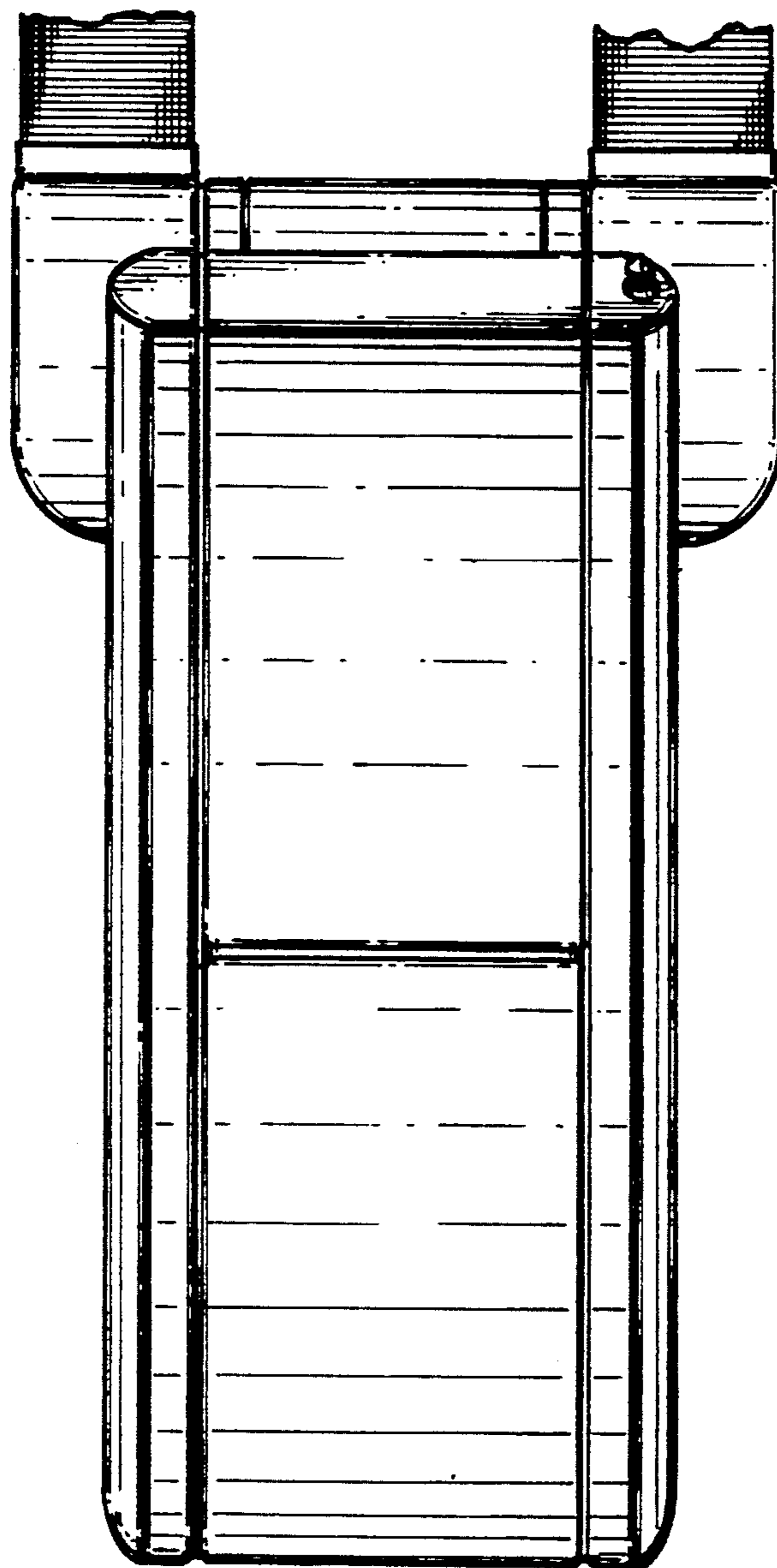


FIG. 3



FIG. 4

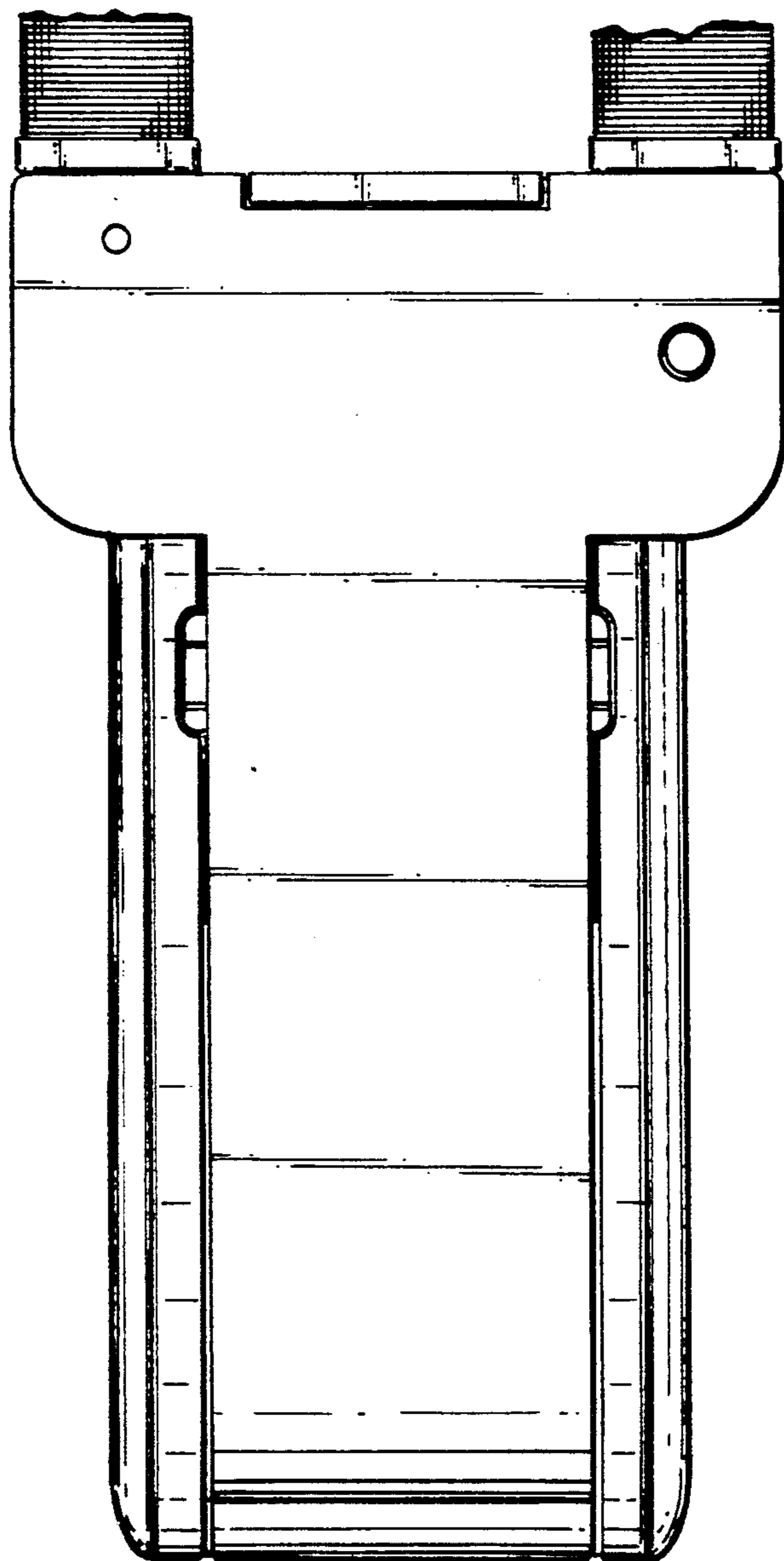


FIG. 5

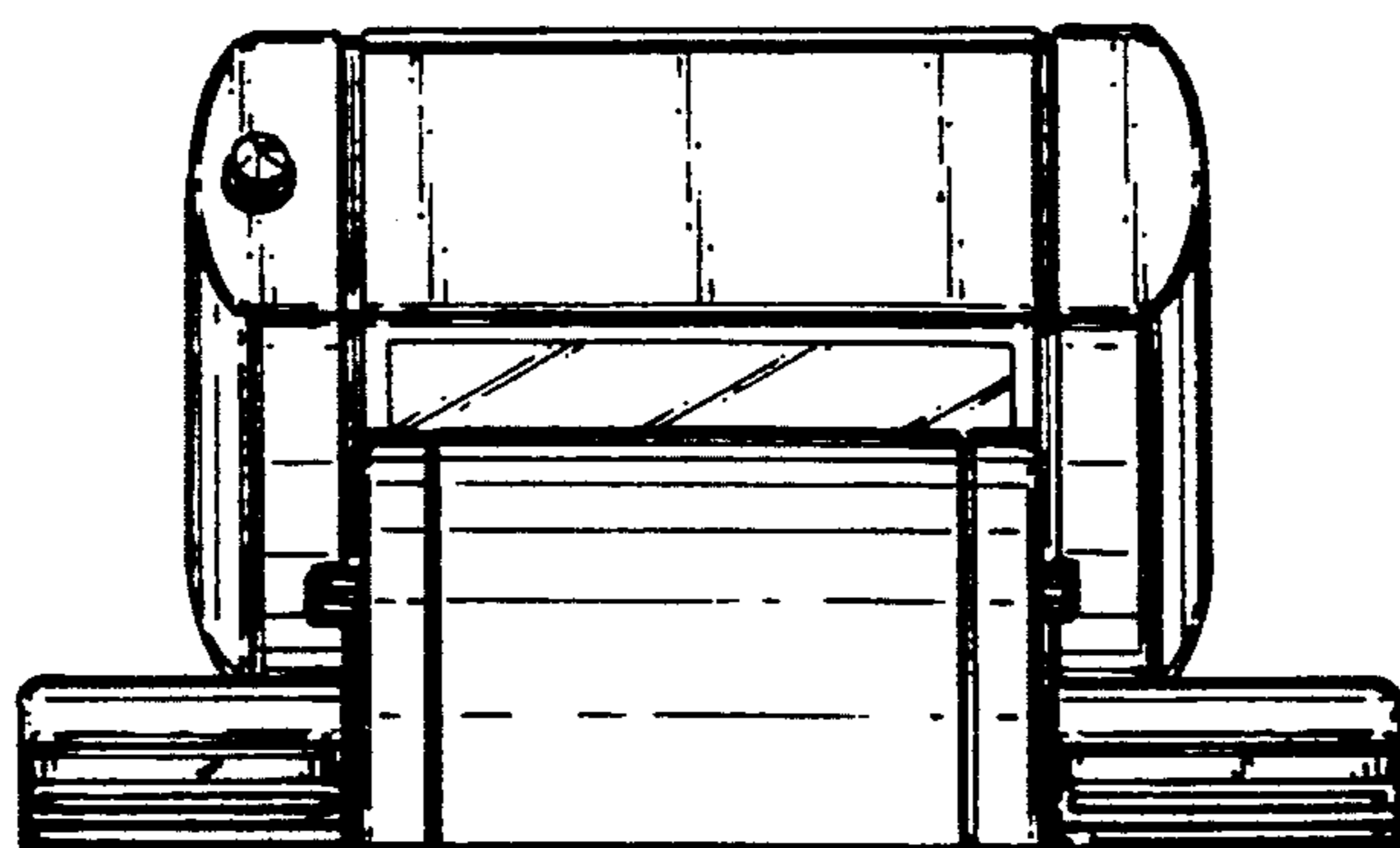


FIG. 6

FIG. 7

