



US00D329427S

United States Patent [19]

St. Peter et al.

[11] Patent Number: **Des. 329,427**

[45] Date of Patent: **** Sep. 15, 1992**

[54] **PORTABLE COMPACT DATA TERMINAL**

[75] Inventors: **Larry J. St. Peter**, Mill Creek; **Mark W. Shurtleff**; **Jeffrey T. Morovich**, both of Seattle; **Melody L. Mistlin**; **Douglas E. Nemitz**, both of Bothell; **John L. Lengenfelder**, Snohomish, all of Wash.

[73] Assignee: **Maple Systems, Inc.**, Bothell, Wash.

[**] Term: **14 Years**

[21] Appl. No.: **529,164**

[22] Filed: **May 25, 1990**

[52] U.S. Cl. **D14/100**

[58] Field of Search **D14/100, 101, 105, 106, D14/113, 115; D18/1, 7, 11, 12; 340/700, 706, 711, 712; 341/22, 23; 235/145 A, 145 R; 400/472, 473, 485, 488; 364/706-709.09; 200/5 A, 5 R**

[56] **References Cited**

U.S. PATENT DOCUMENTS

- D. 262,623 1/1982 Fujimoto et al. D14/100
- D. 278,341 4/1985 Scheid D14/100

- D. 293,241 12/1987 Wan et al. D14/100
- D. 303,374 9/1989 Larson et al. D14/100

FOREIGN PATENT DOCUMENTS

- 2739157 3/1979 European Pat. Off. 364/708

Primary Examiner—Wallace R. Burke
Assistant Examiner—Freda S. Nunn
Attorney, Agent, or Firm—Seed and Berry

[57] **CLAIM**

The ornamental design for a portable compact data terminal, as shown and described.

DESCRIPTION

FIG. 1 is a top front and end perspective view of a portable compact data terminal showing our new design;

FIG. 2 is an inverted rear elevational view thereof;

FIG. 3 is a top plan view thereof;

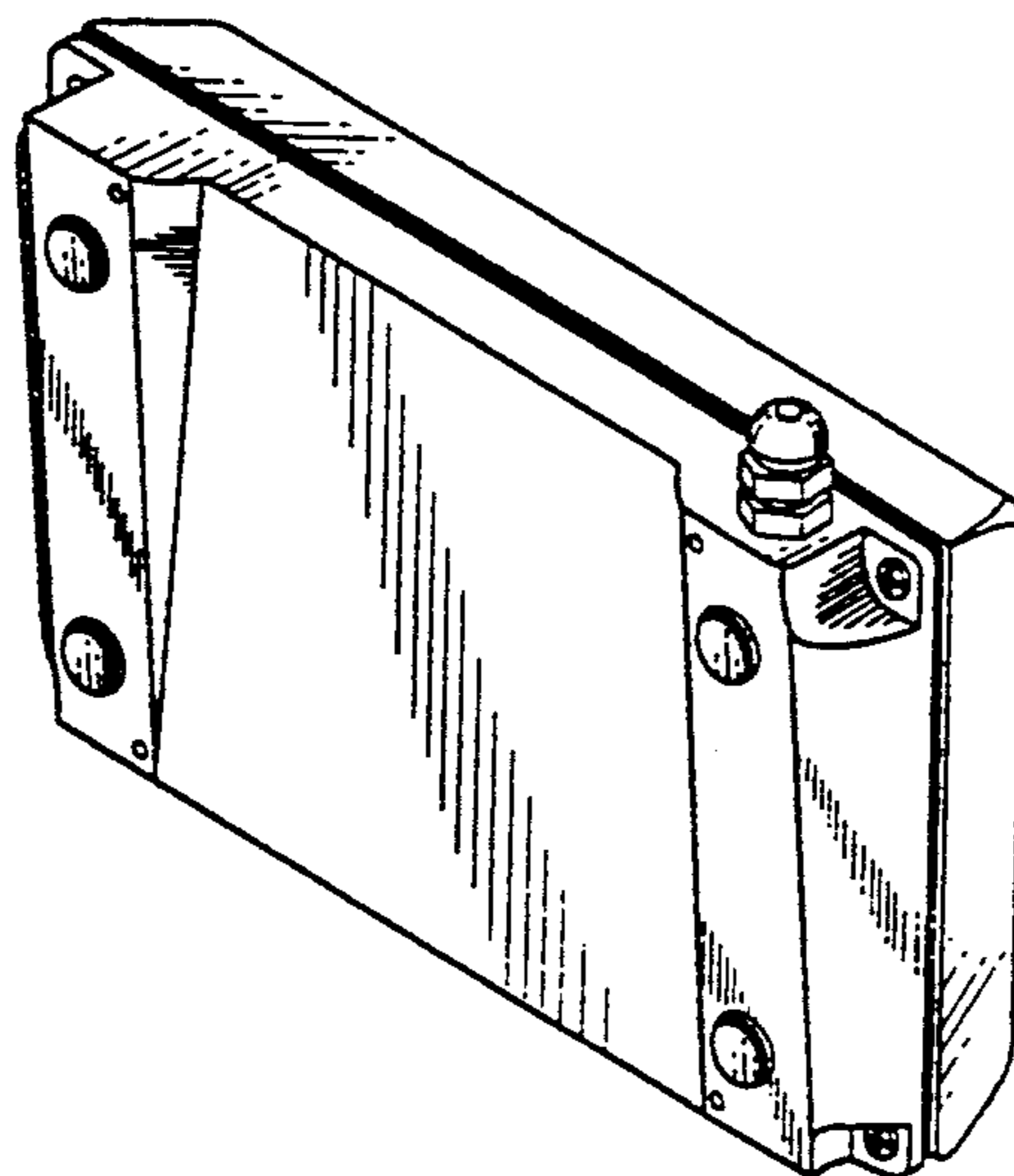
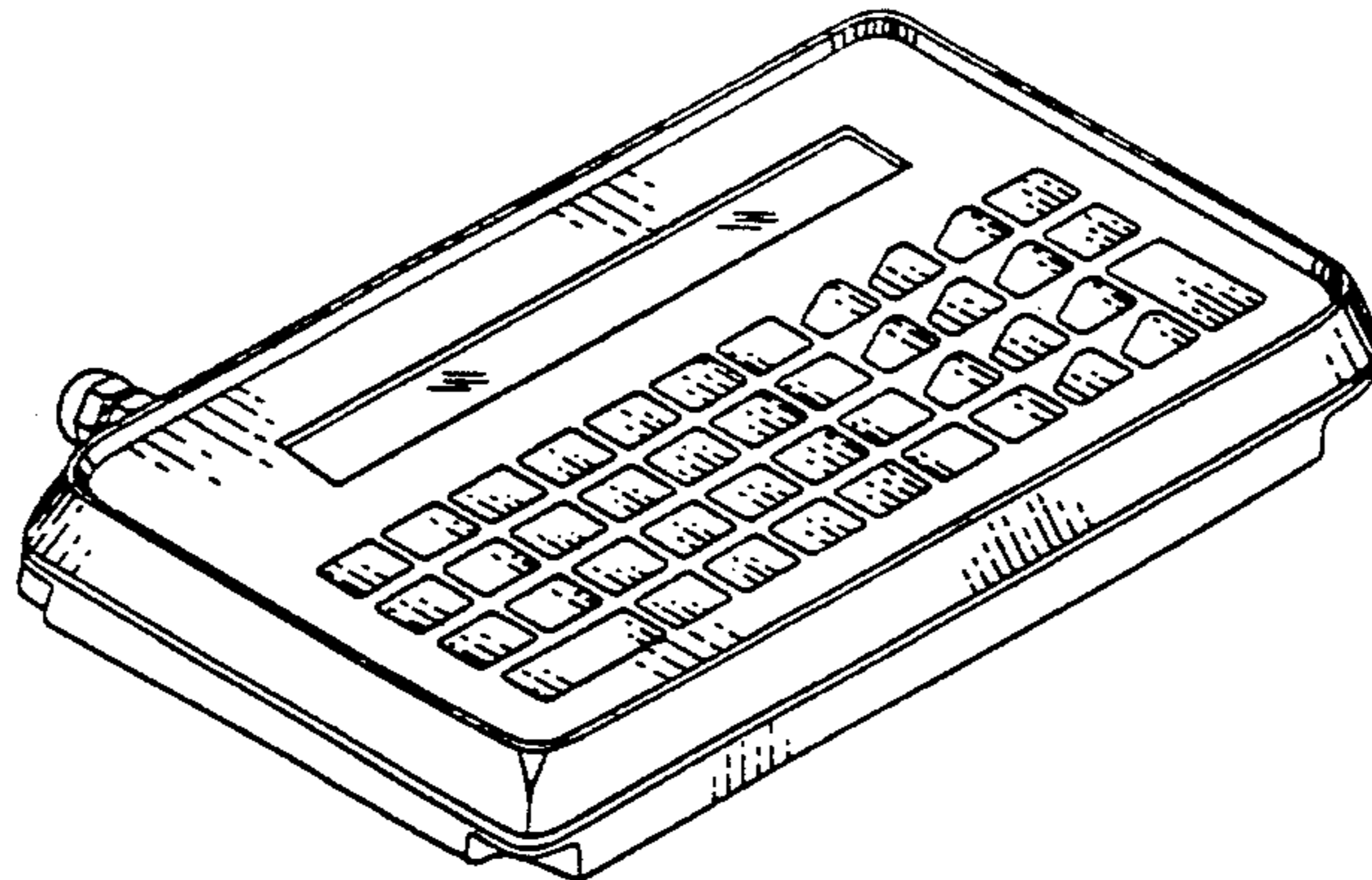
FIG. 4 is an inverted front elevational view thereof;

FIG. 5 is an end elevational view thereof;

FIG. 6 is an end elevational view thereof opposite that shown in FIG. 5;

FIG. 7 is a bottom plan view thereof; and,

FIG. 8 is a bottom rear and end perspective view thereof.



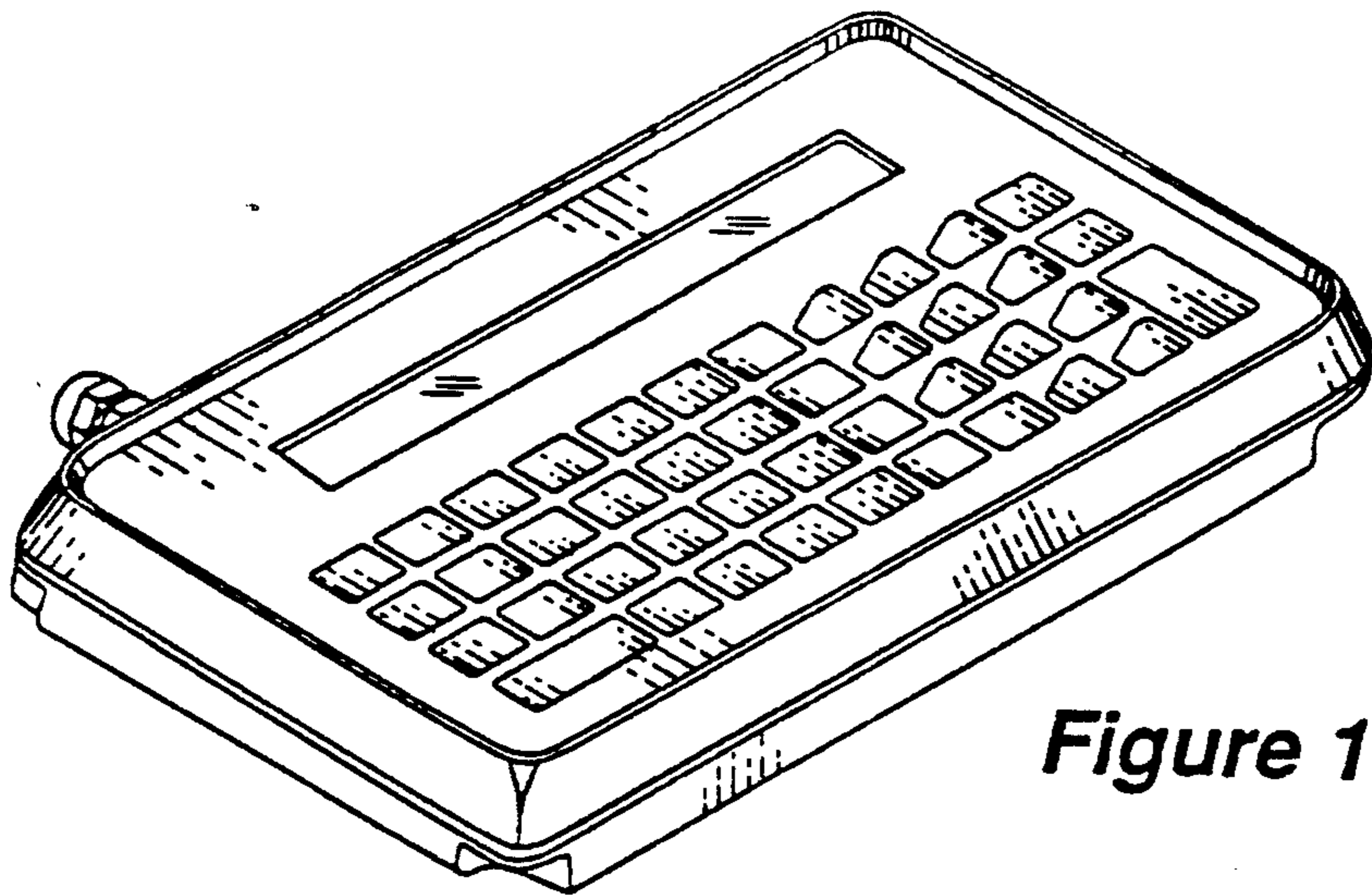


Figure 1

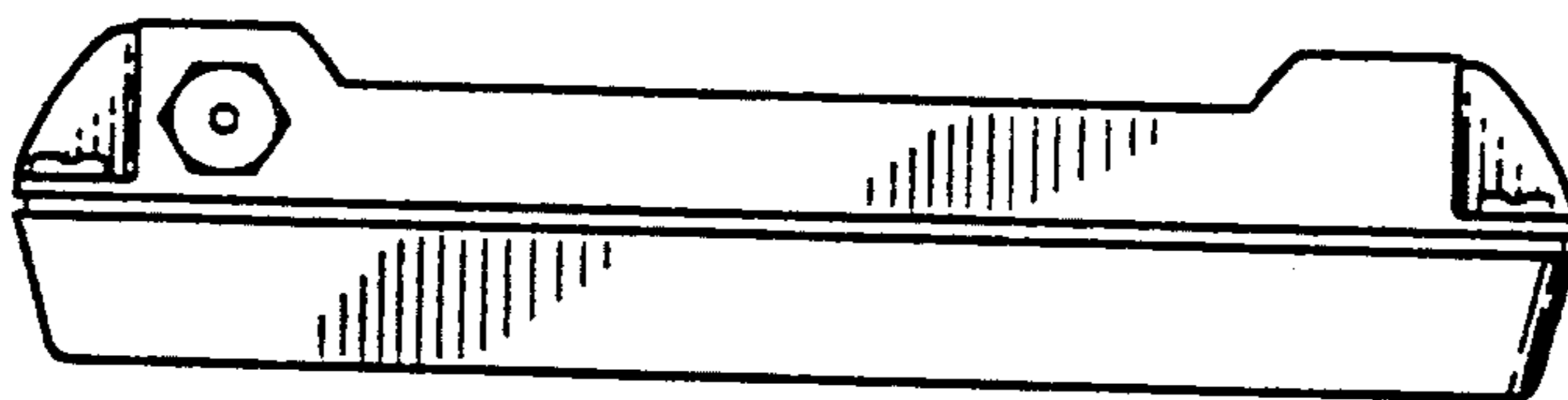


Figure 2

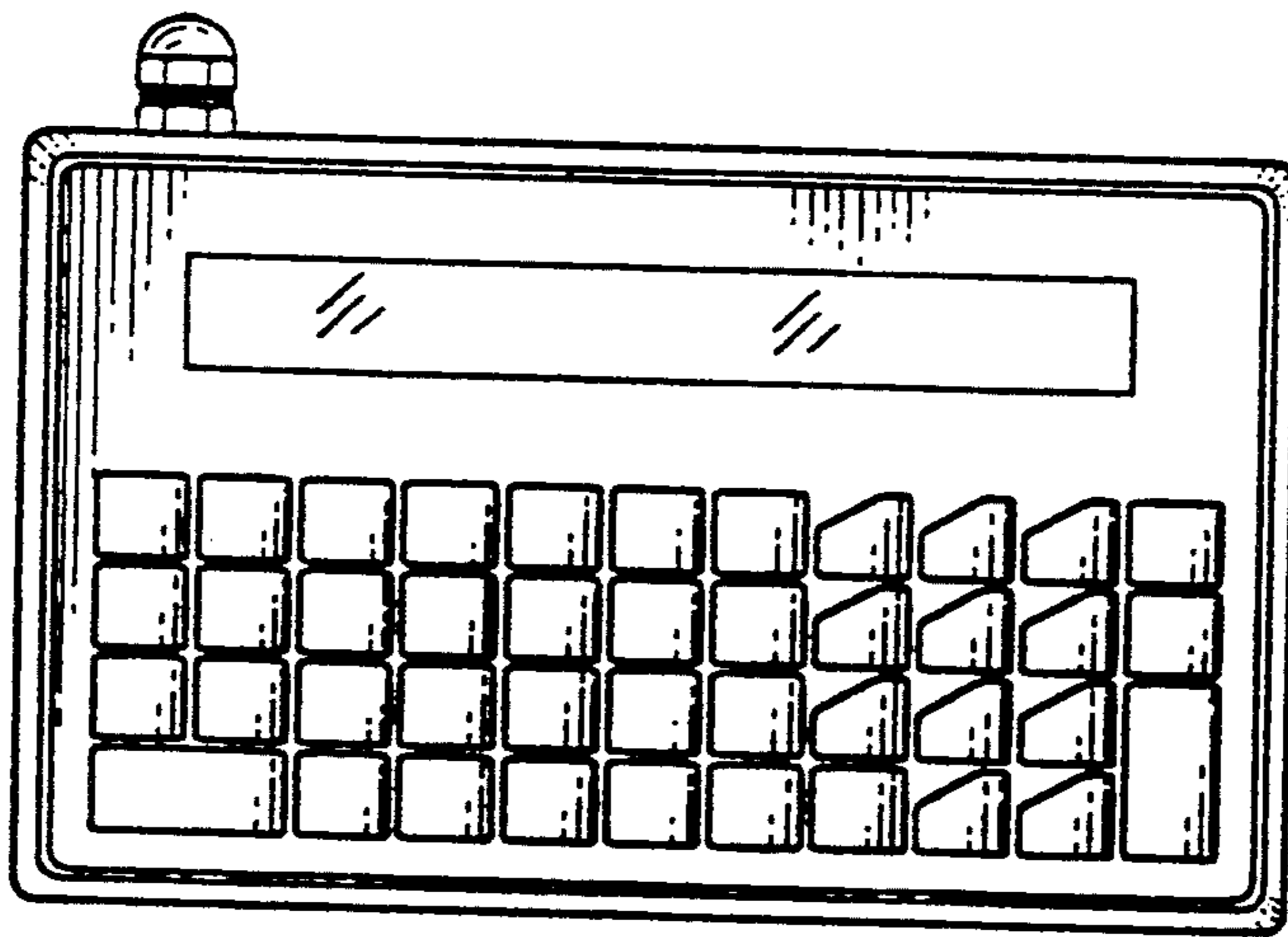


Figure 3

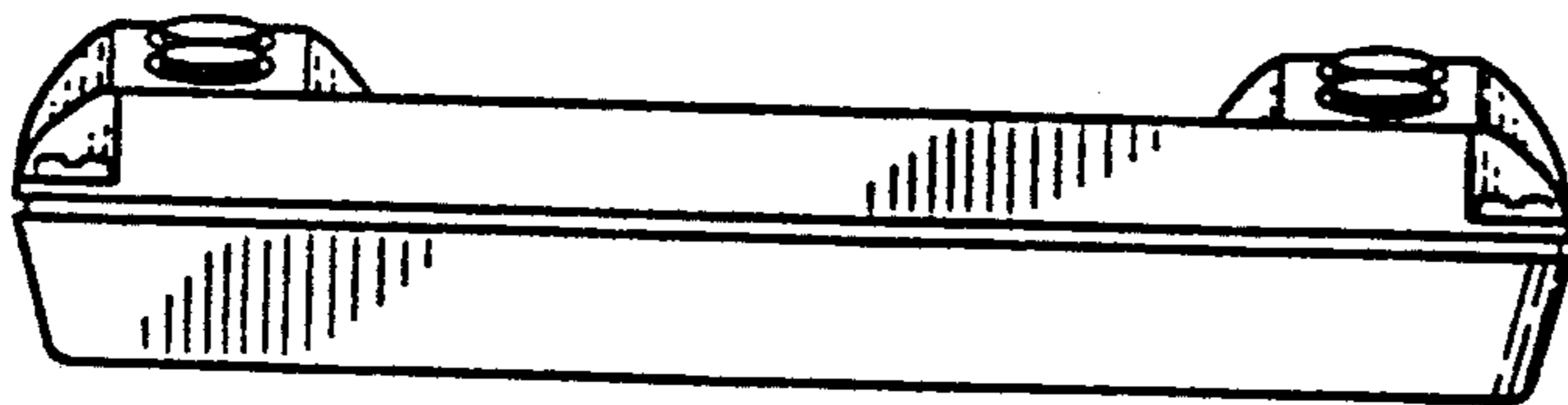


Figure 4

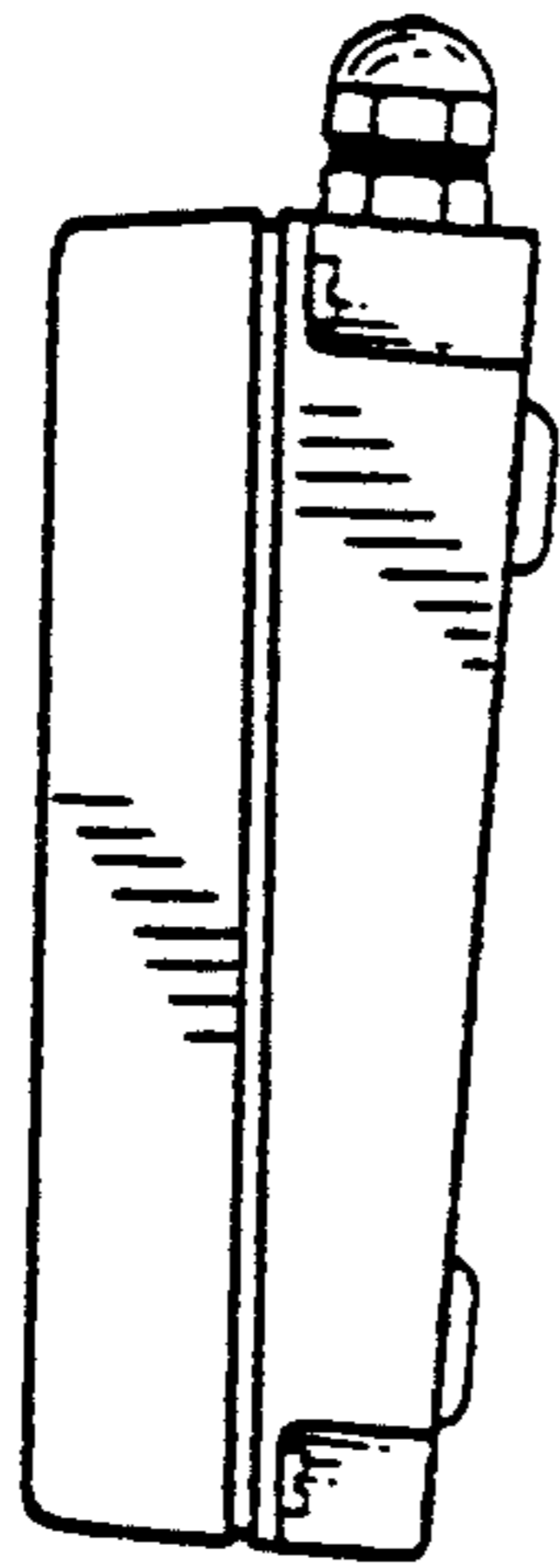


Figure 5

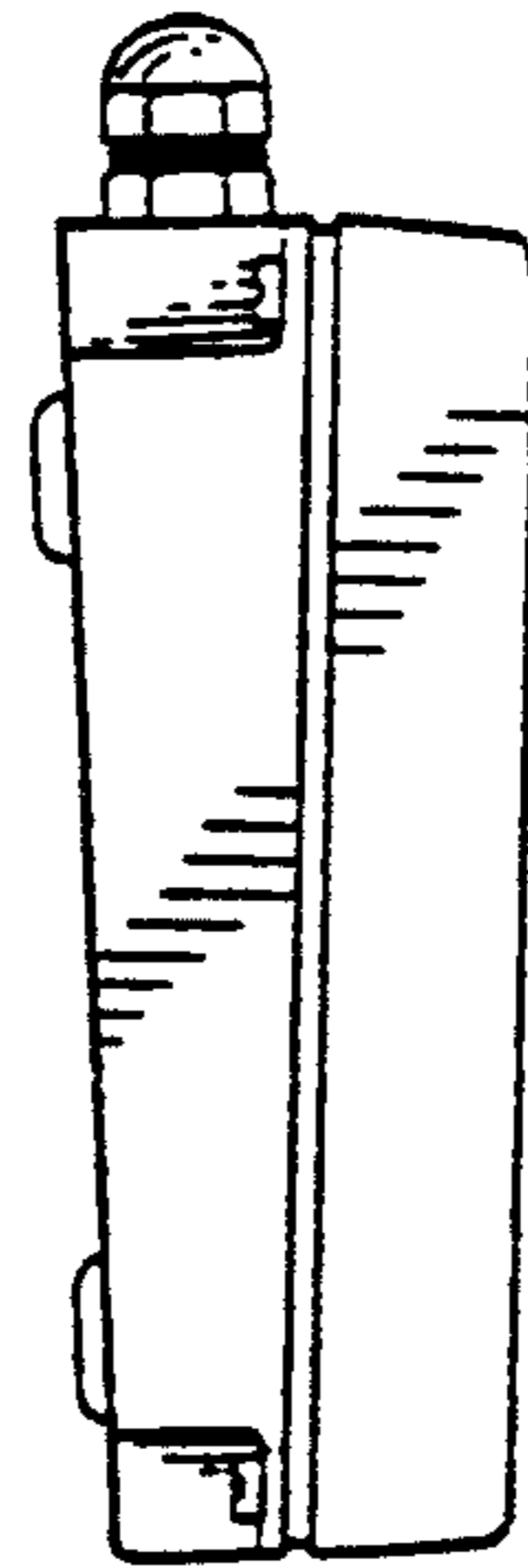


Figure 6

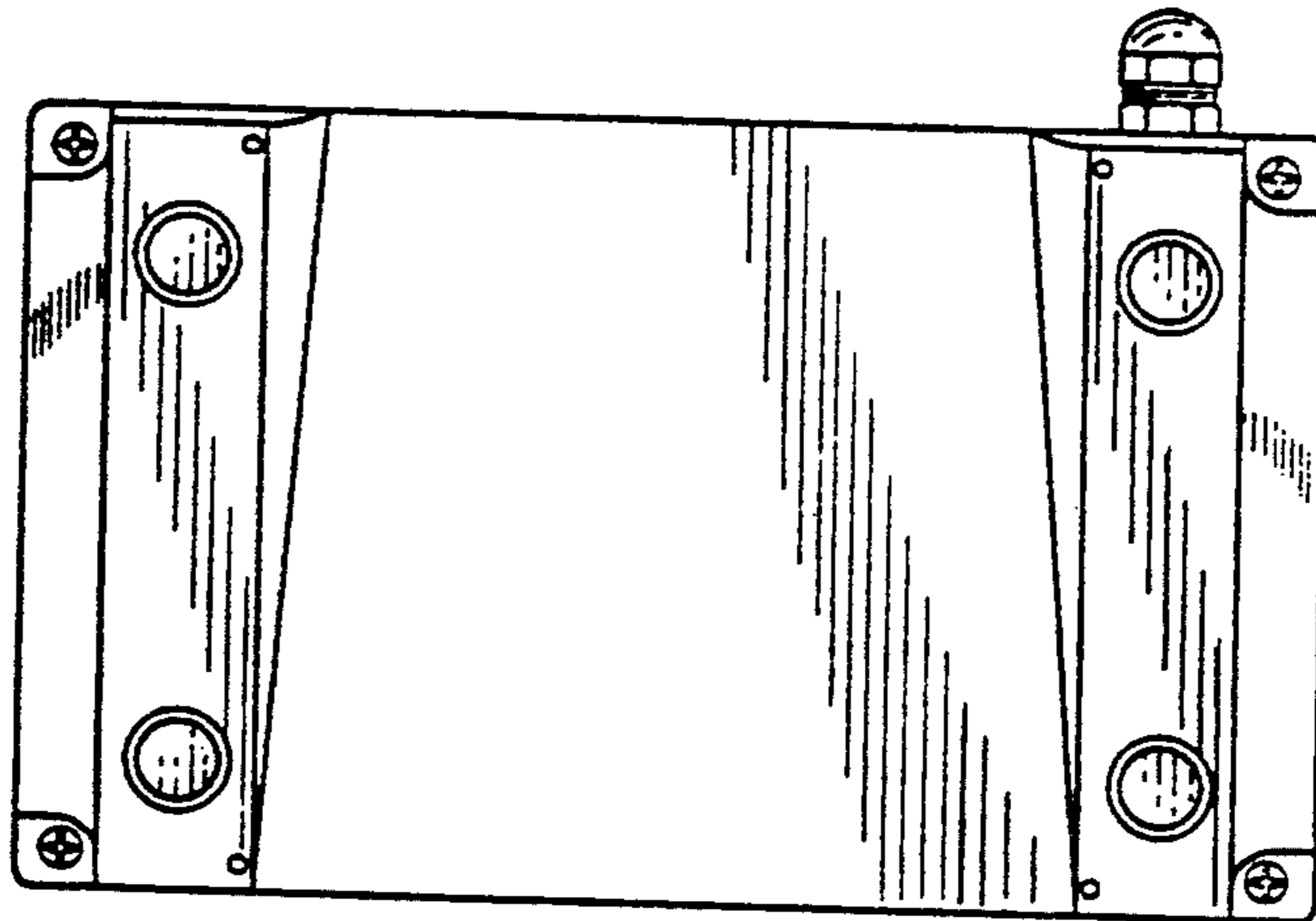


Figure 7

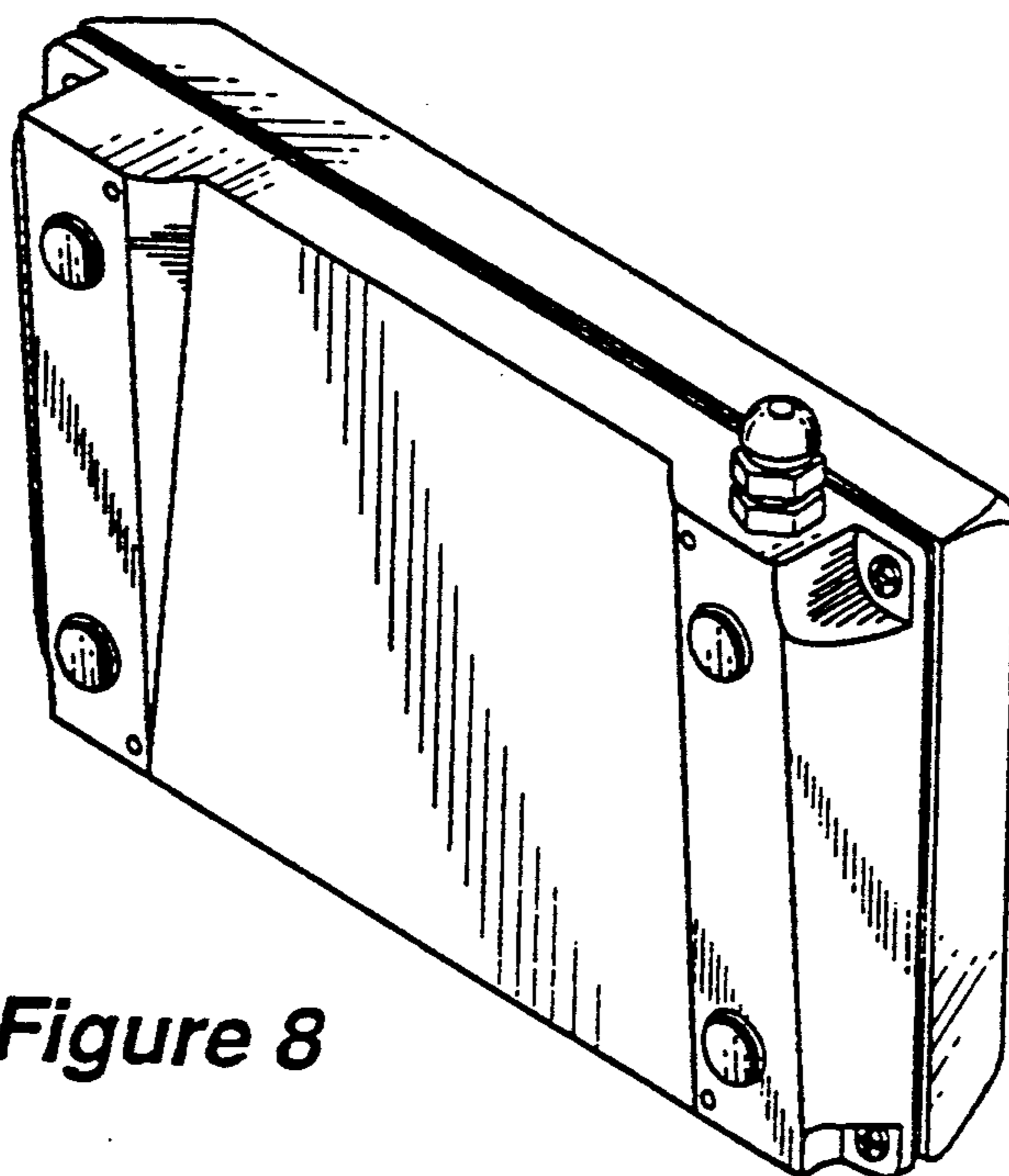


Figure 8