



US00D329421S

United States Patent [19]

[11] Patent Number: **Des. 329,421**

Brans

[45] Date of Patent: **** Sep. 15, 1992**

[54] **PAIR OF VORTEX GENERATING FINS FOR A MOTOR BOAT**

Attorney, Agent, or Firm—Albert O. Cota

[76] Inventor: **Charles N. Brans**, P.O. Box 1, Niwot, Colo. 80544-0001

[57] **CLAIM**

The ornamental design for a pair of vortex generating fins for a motor boat, as shown and described.

[**] Term: **14 Years**

DESCRIPTION

[21] Appl. No.: **558,420**

FIG. 1 is a top plan view of a pair of vortex generating fins for a motor boat showing my new design, the broken lines are for illustrative purposes only;

[22] Filed: **Jul. 27, 1990**

[52] U.S. Cl. **D12/317; D12/345**

FIG. 2 is a bottom plan view thereof;

[58] Field of Search **D12/317, 345; 244/199; 440/66**

FIG. 3 is an inside-end elevational view of the right side fin, the inside-end elevational view of a left side fin being a mirror image of that shown;

[56] **References Cited**

U.S. PATENT DOCUMENTS

2,740,596	4/1956	Lee	244/199
4,995,840	2/1991	Seale et al.	440/66
5,058,837	10/1991	Wheeler	244/199

FIG. 4 is an outside-end elevational view of the left side fin, the outside-end elevational view of the right side fin being a mirror image of that shown;

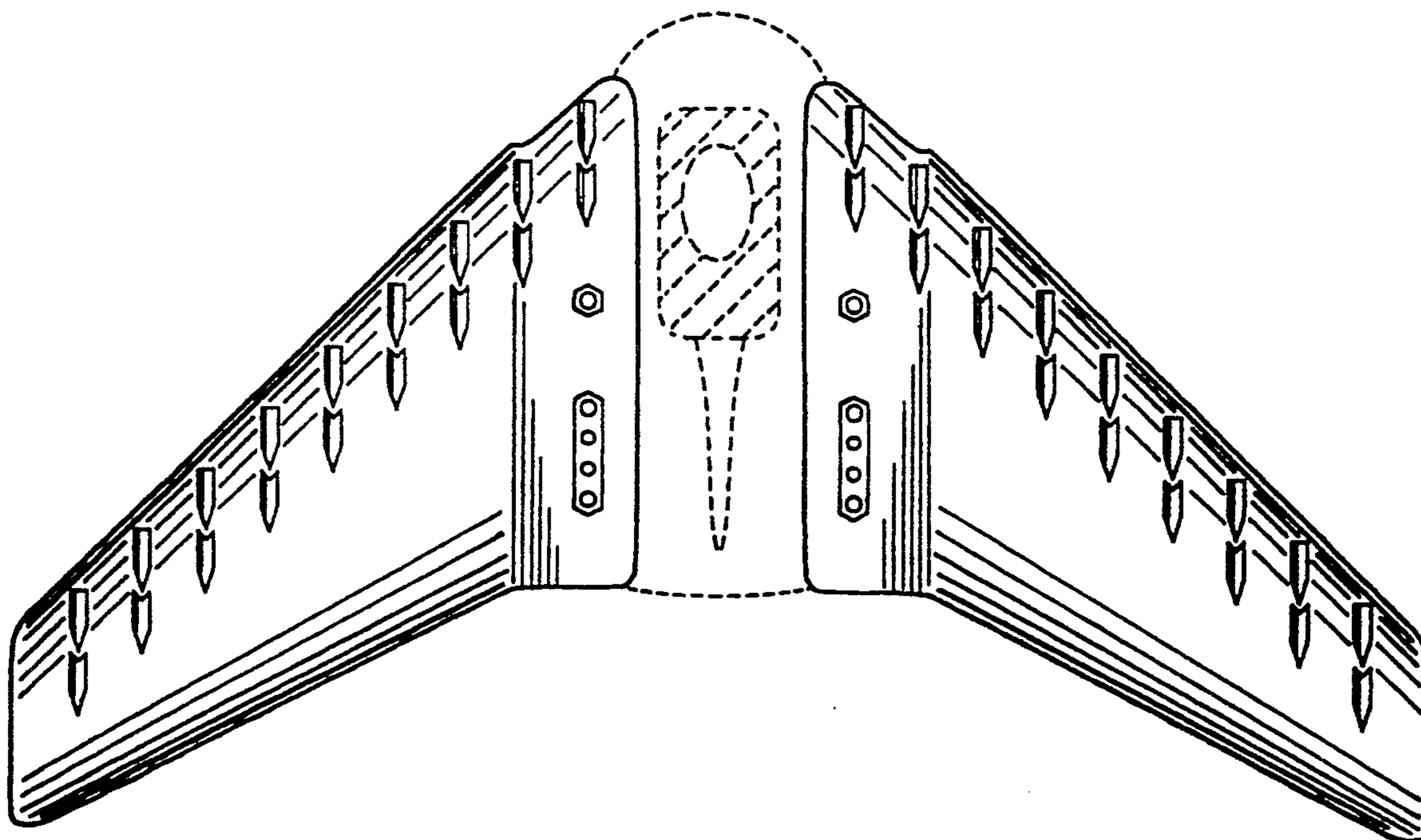
FOREIGN PATENT DOCUMENTS

9011929	10/1990	World Int. Prop. O.	244/199
---------	---------	--------------------------	---------

FIG. 5 is a front elevational view of the left side fin, the front elevational view of the right side fin being a mirror image of that shown; and,

FIG. 6 is a rear elevational view of the left side fin, the rear elevational view of the right side fin being a mirror image of that shown.

Primary Examiner—Kay H. Chin



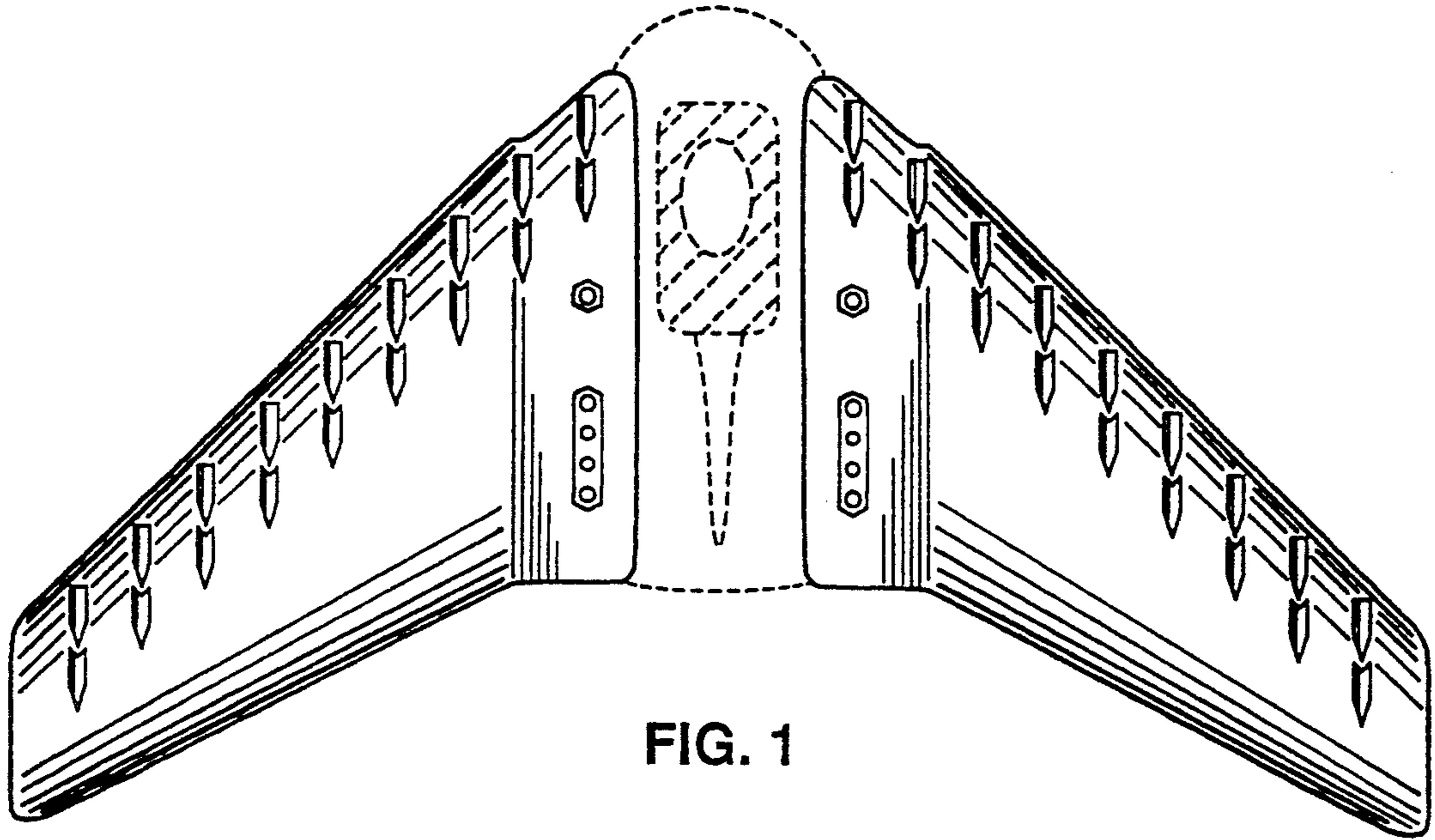


FIG. 1

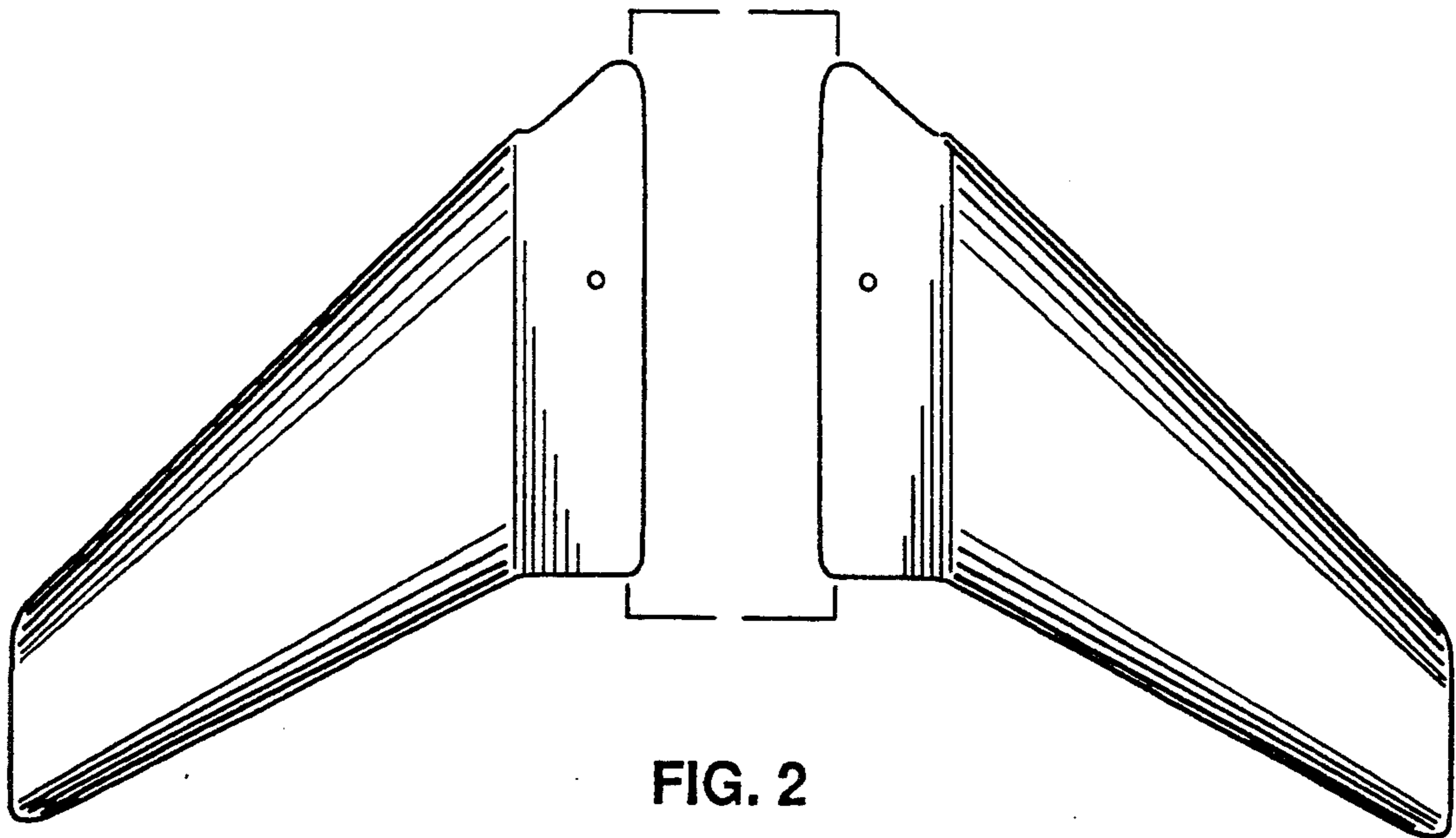


FIG. 2

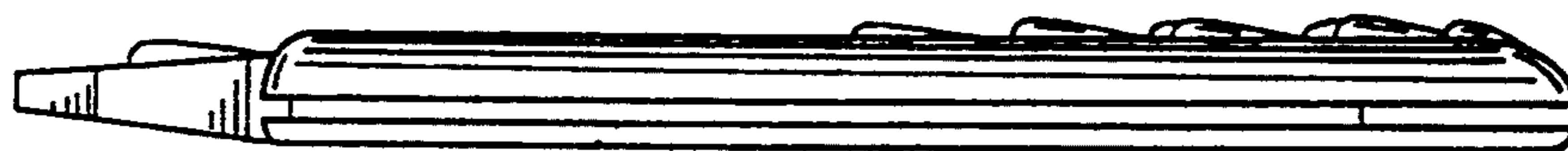


FIG. 3



FIG. 4



FIG. 5



FIG. 6