



US00D329414S

United States Patent [19] Herzig

[11] Patent Number: **Des. 329,414**
[45] Date of Patent: **** Sep. 15, 1992**

[54] **ARTICLE HOLDER FOR A VEHICLE**
[76] Inventor: **Paul A. Herzig**, 11059 Alscot La.,
Whitehouse, Ohio 43571
[**] Term: **14 Years**
[21] Appl. No.: **516,229**
[22] Filed: **Apr. 30, 1990**
[52] U.S. Cl. **D12/157; D3/40**
[58] Field of Search **D3/40; D12/155-157;**
224/42.11, 273, 42.42, 275, 327, 329; 296/137.1,
37.5, 37.8, 37.12

4,375,268 3/1983 Speck 242/42.45 R
4,378,888 4/1983 Reed 296/37.13

FOREIGN PATENT DOCUMENTS

1027635 2/1953 France D12/157

Primary Examiner—Louis S. Zarfes
Attorney, Agent, or Firm—Marshall & Melhorn

[57] CLAIM

The ornamental design for a article holder for a vehicle,
as shown and described.

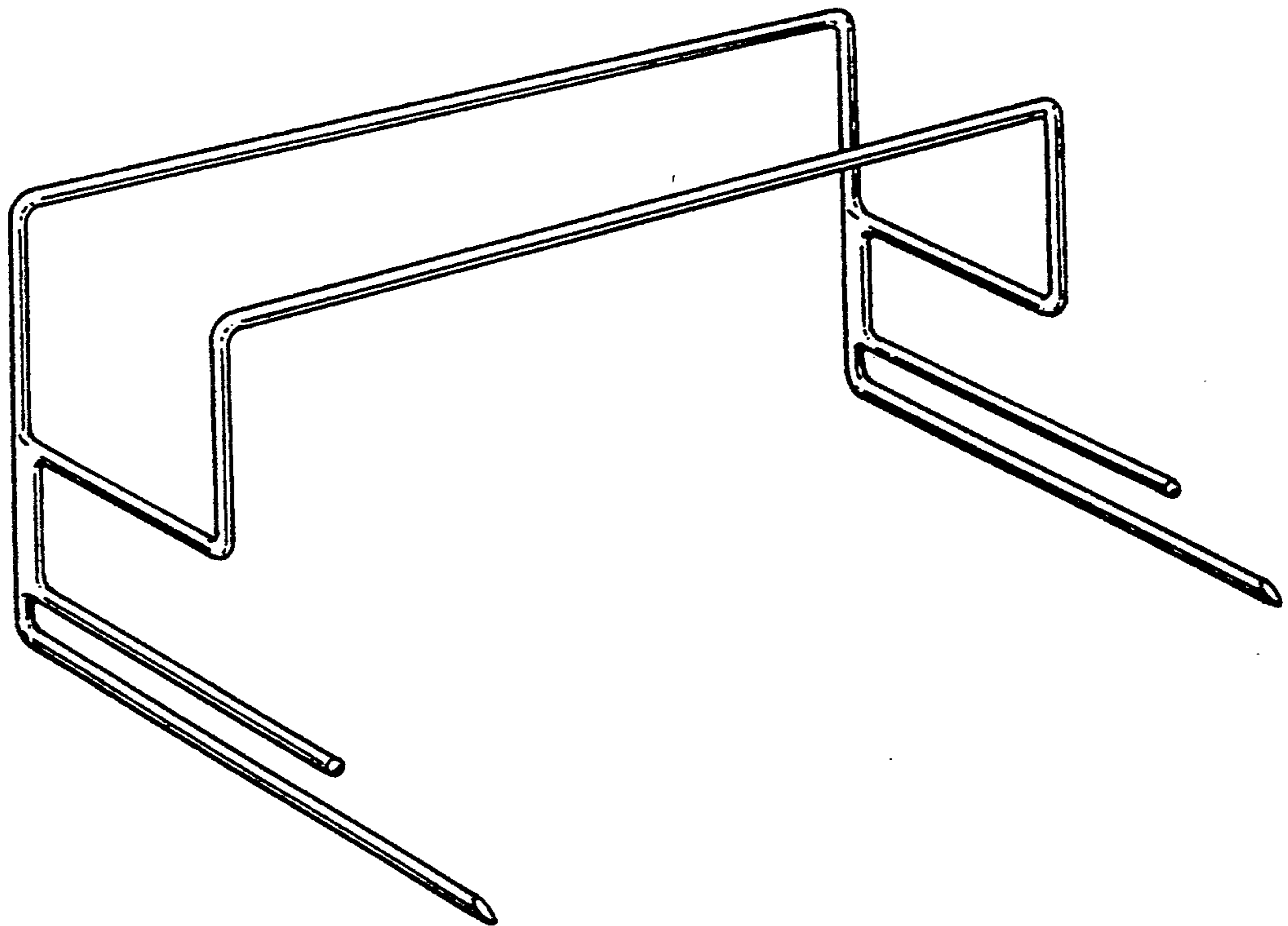
DESCRIPTION

FIG. 1 is a perspective view of a article holder for
vehicle showing my new design;
FIG. 2 is a front elevational view thereof;
FIG. 3 is a right side elevational view thereof, the left
side being a mirror image thereof;
FIG. 4 is a rear elevational view thereof;
FIG. 5 is a top plan view thereof; and,
FIG. 6 is a bottom plan view thereof.

[56] References Cited

U.S. PATENT DOCUMENTS

D. 250,183 11/1978 Marshburn D12/157
288,616 11/1883 Boynton et al. .
D. 305,111 12/1989 Zagner D12/156
309,841 12/1884 Floyd .
492,359 2/1893 Merker .
2,969,900 1/1961 Heuler .



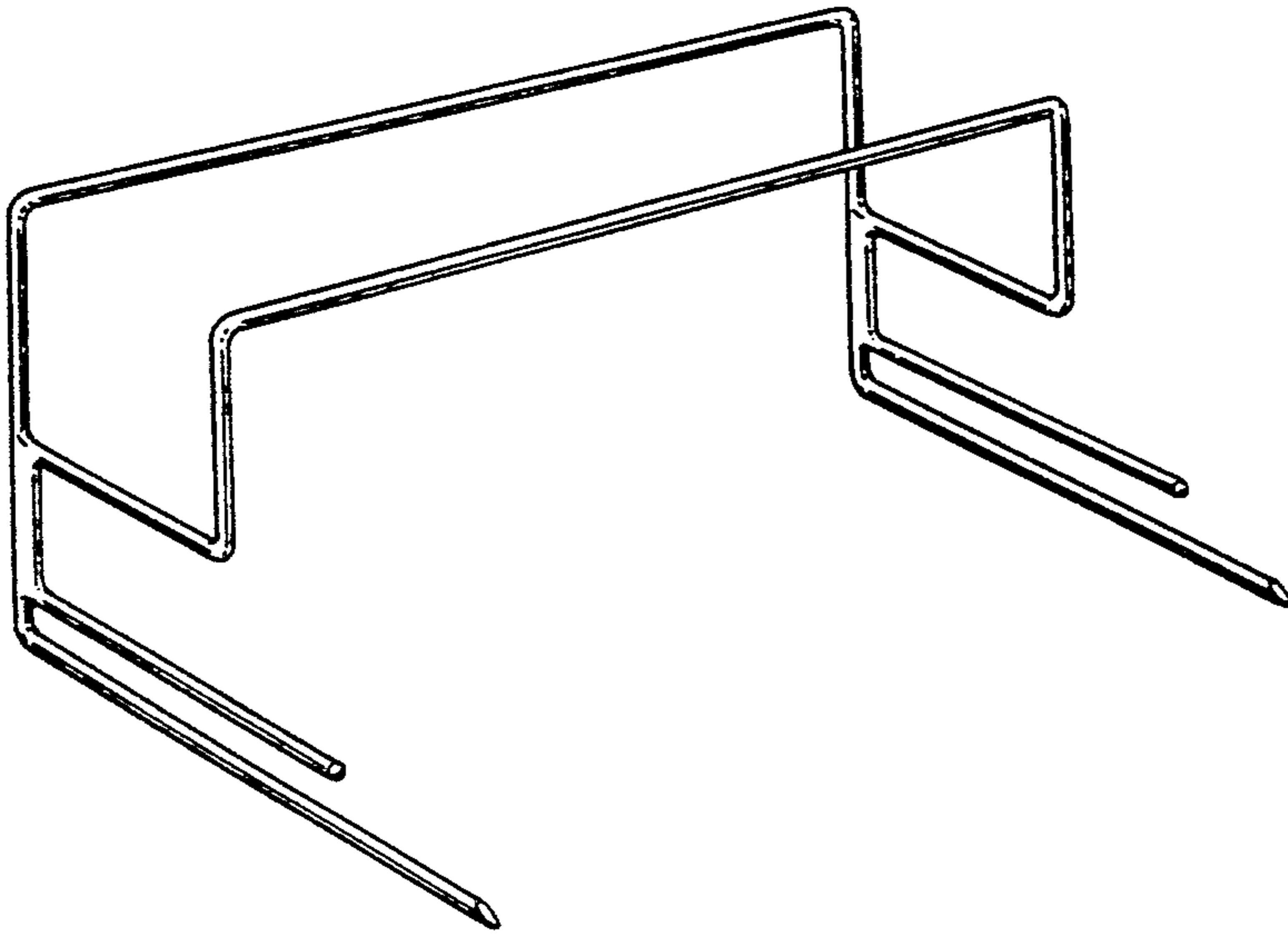


FIG. 1

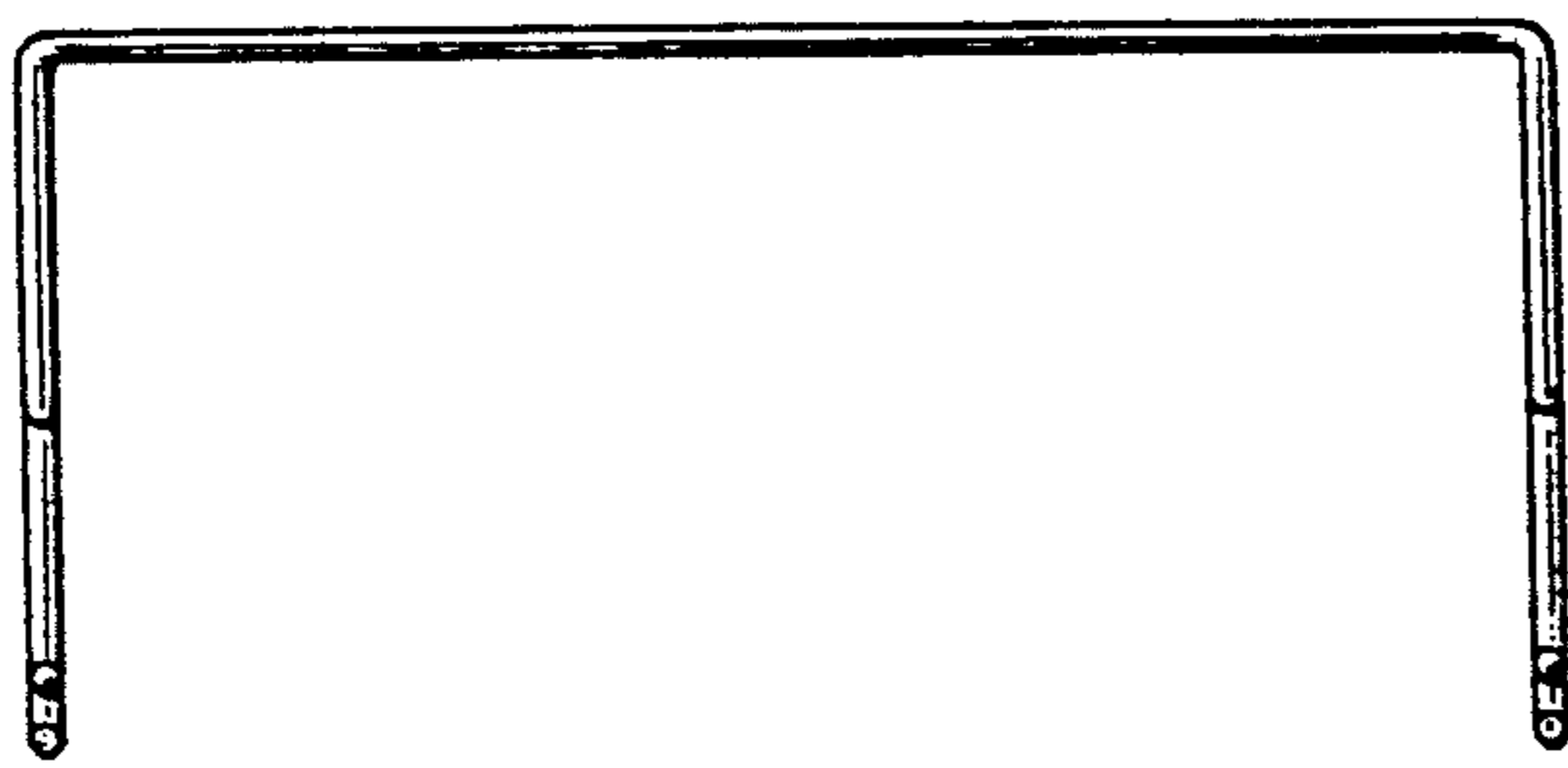


FIG. 2

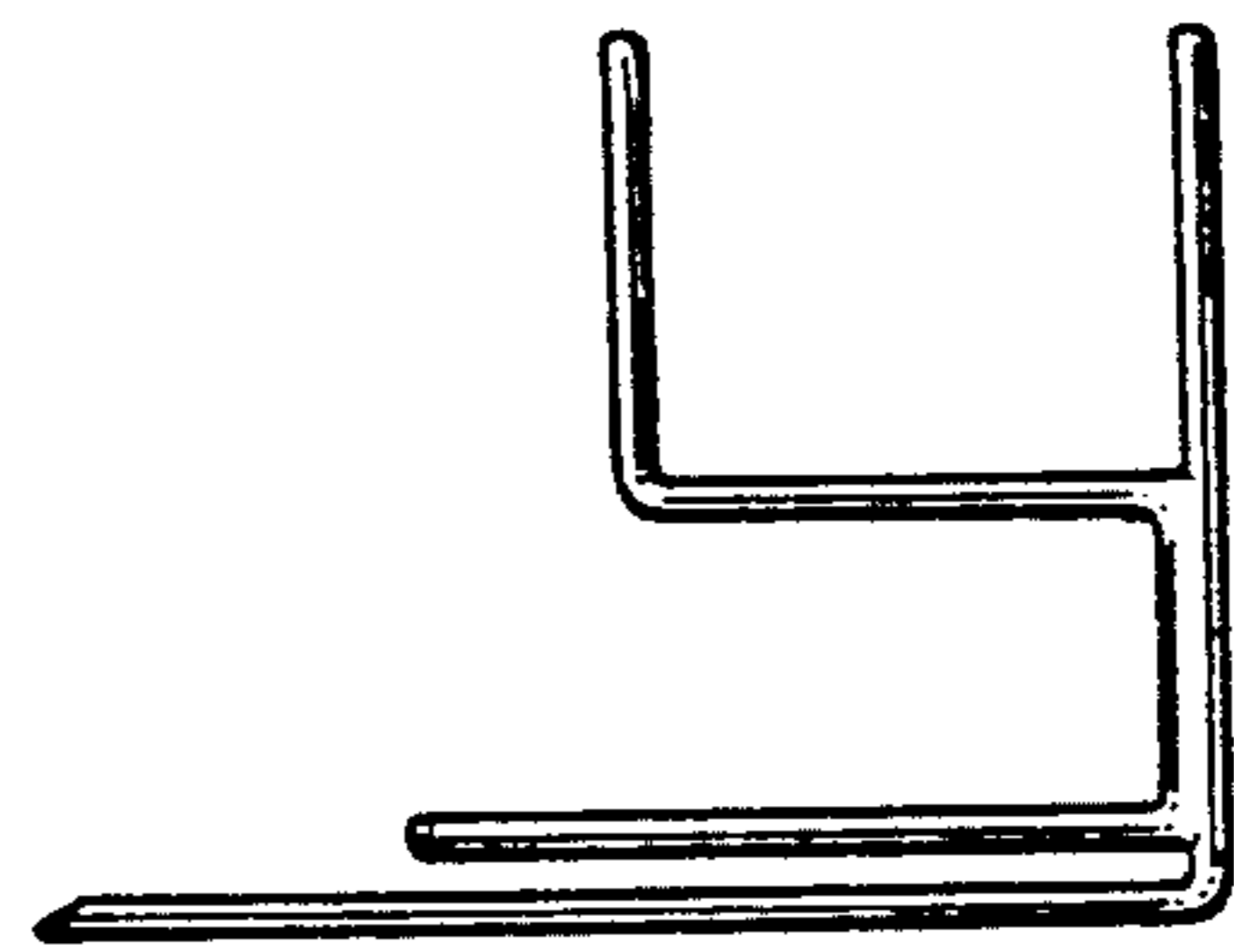


FIG. 3

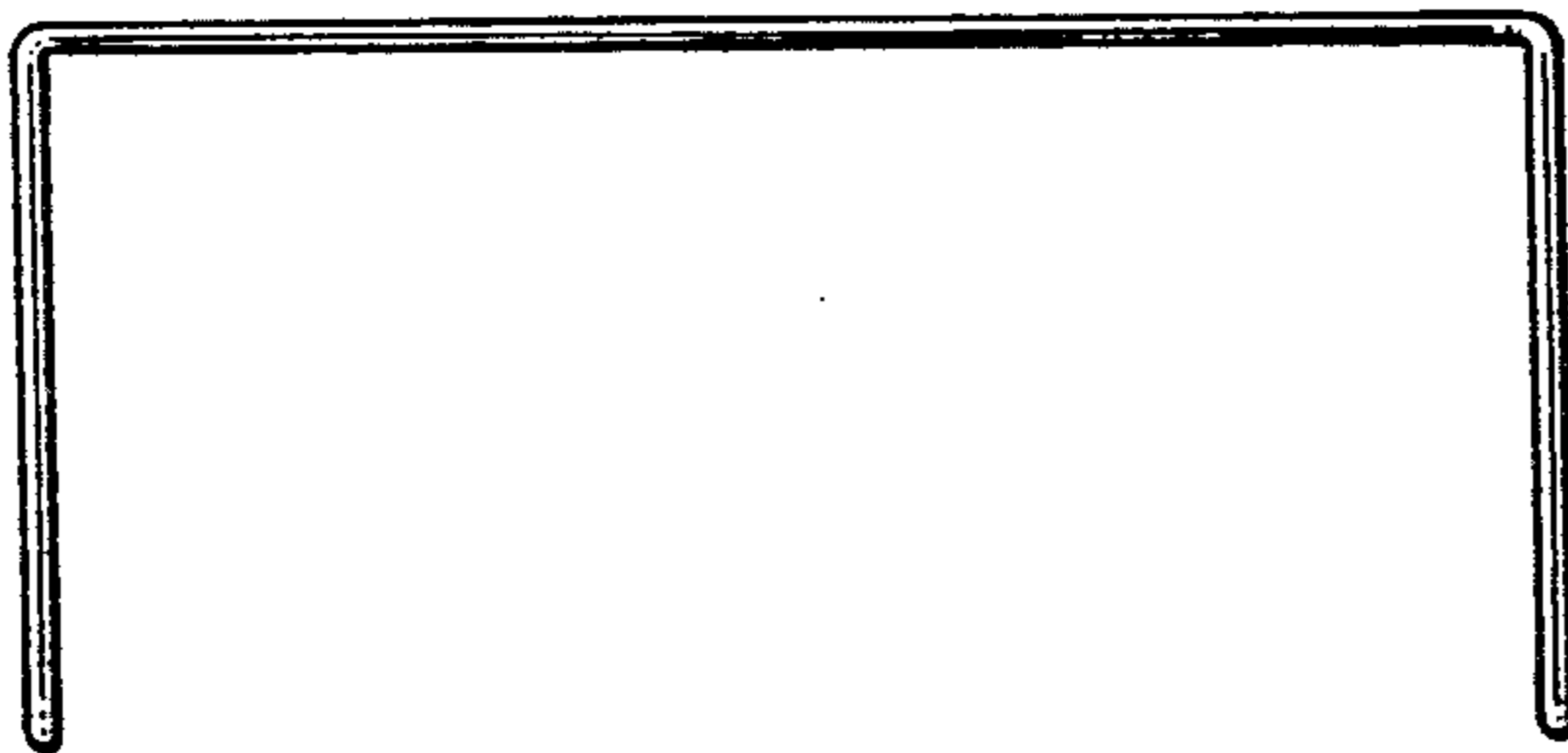


FIG. 4

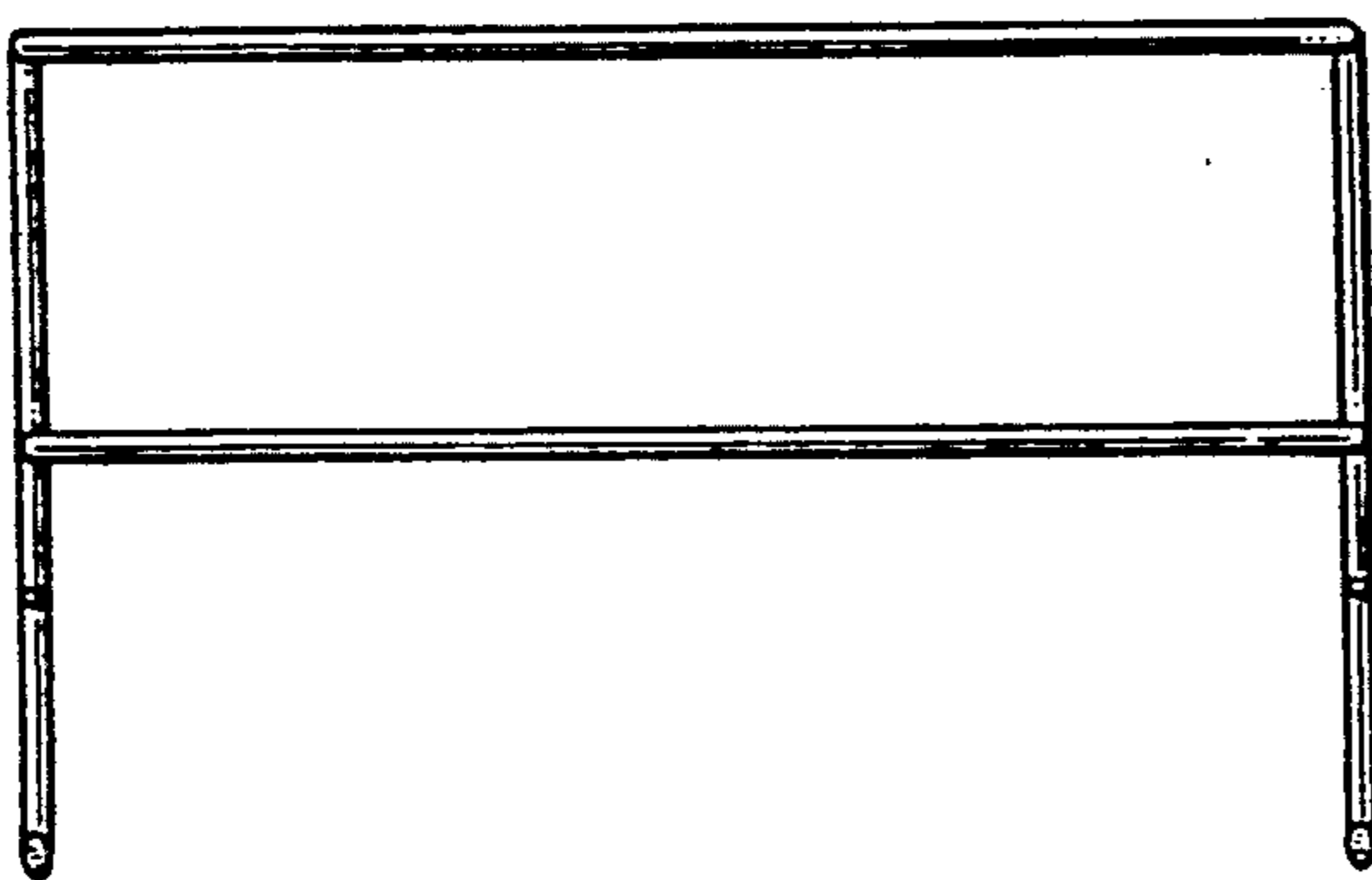


FIG. 5

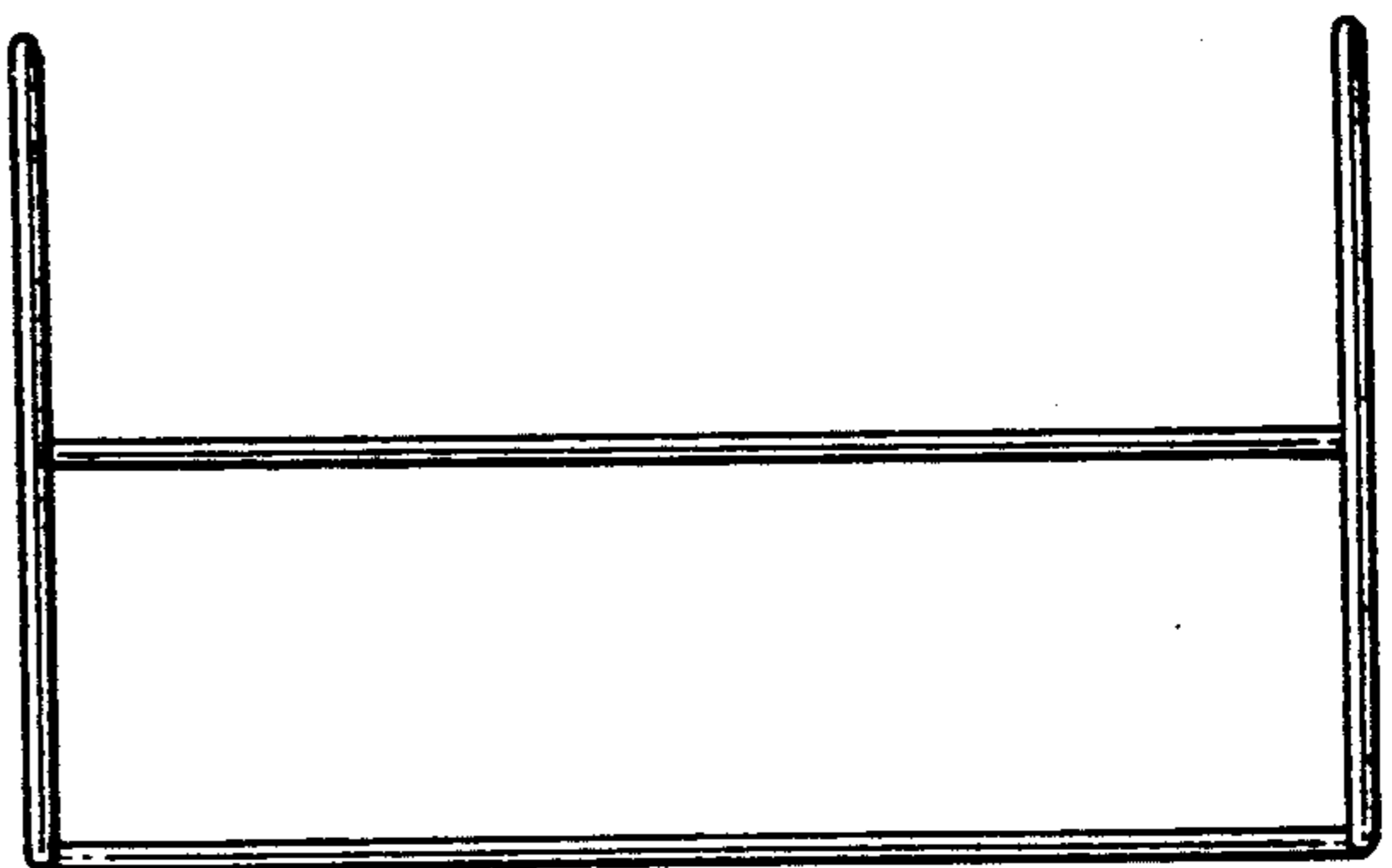


FIG. 6