



US00D329411S

United States Patent [19]

[11] Patent Number: **Des. 329,411**

Lassan

[45] Date of Patent: **** Sep. 15, 1992**

[54] TIRE

[75] Inventor: Timothy J. Lassan, Kent, Ohio

[73] Assignee: Bridgestone/Firestone, Inc., Akron, Ohio

[**] Term: 14 Years

[21] Appl. No.: 575,521

[22] Filed: Aug. 29, 1990

[52] U.S. Cl. D12/147

[58] Field of Search D12/141-143, D12/145-151; 152/209 R, 209 A, 209 B, 209 D

[56] **References Cited**

U.S. PATENT DOCUMENTS

D. 278,222	4/1985	Kojima et al.	D12/147
D. 278,423	4/1985	Baus	D12/147
D. 305,016	12/1989	Hayakawa et al.	D12/147
D. 312,230	11/1990	Wallet et al.	D12/147
D. 321,158	10/1991	Covert et al.	D12/147

OTHER PUBLICATIONS

1990 Tread Design Guide, p. 57, Pirelli P Zero Tire, third row down from top, second tire in from left side of page.

1990 Tread Design Guide, p. 72, Toyo 600-4DR Tire,

second row down from top, second tire in from left side of page.

1989 Tread Design Guide, p. 16—Bilt-Mor Maxi-Weather All Season Tire.

1989 Tread Design Guide, p. 27—Diamond Sport Radial 70LRR Tire.

1989 Tread Design Guide, p. 69—Spartan All Season Radial LRR Tire.

Primary Examiner—James M. Gandy
Attorney, Agent, or Firm—Ernst H. Ruf

[57] **CLAIM**

The ornamental design for a tire, as shown and described.

DESCRIPTION

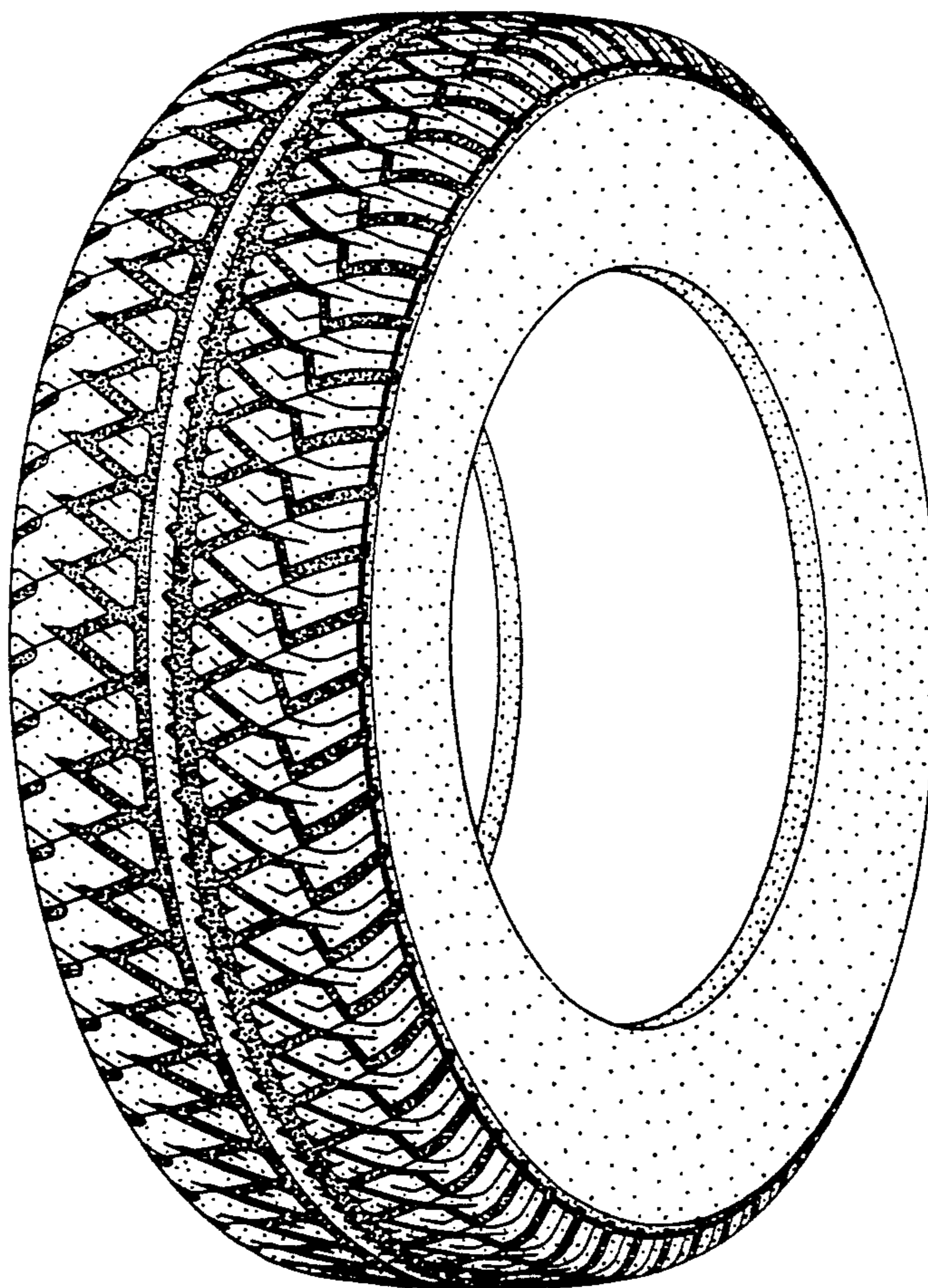
FIG. 1 is a perspective view of one side of a tire embodying my design, it being understood that the tread pattern is repeated uniformly throughout the circumference of the tire;

FIG. 2 is a perspective view of the other side thereof;

FIG. 3 is a front elevational view thereof;

FIG. 4 is a side elevational view of the one side thereof; and,

FIG. 5 is a side elevational view of the other side thereof.



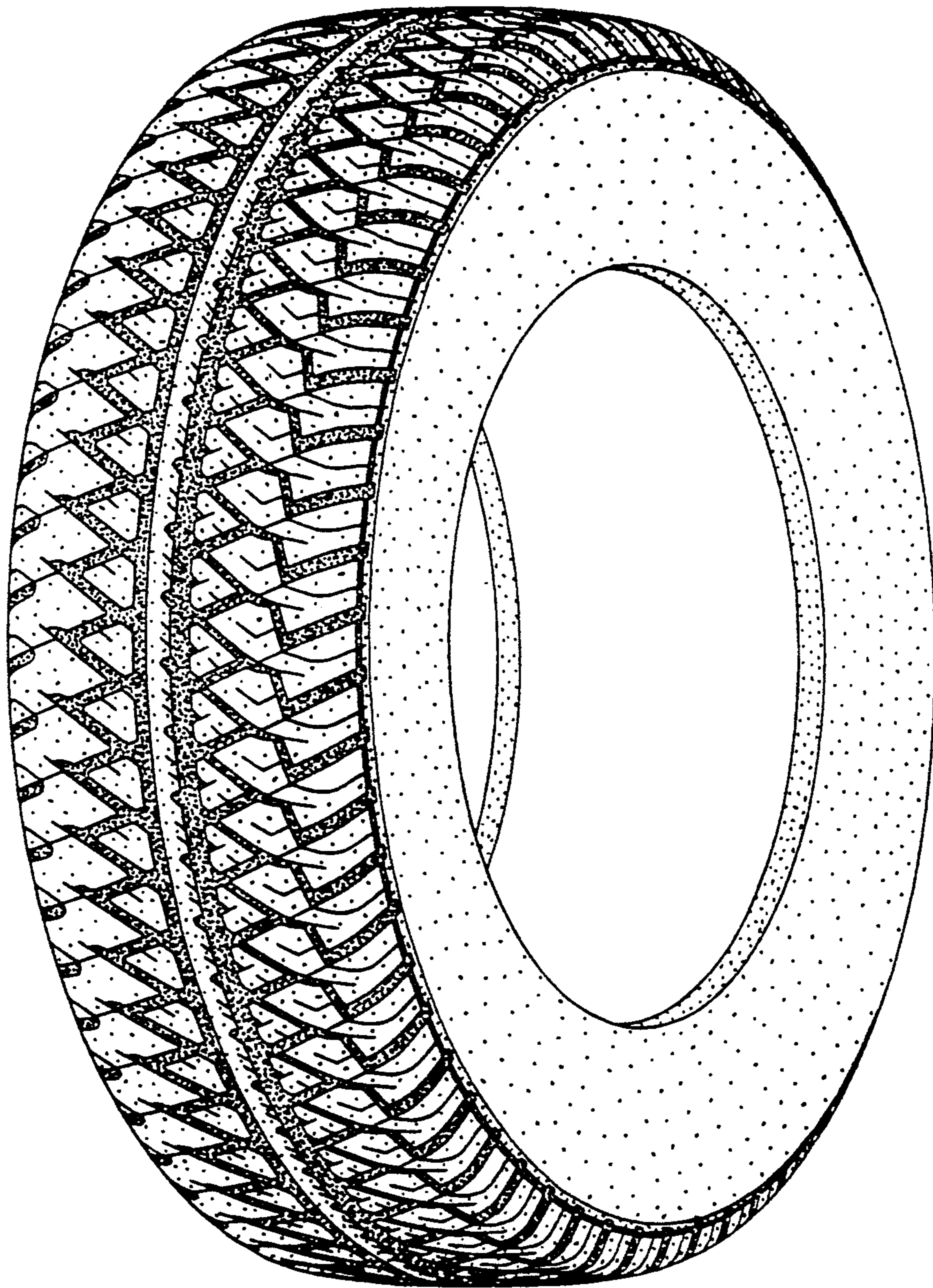


FIG. 1

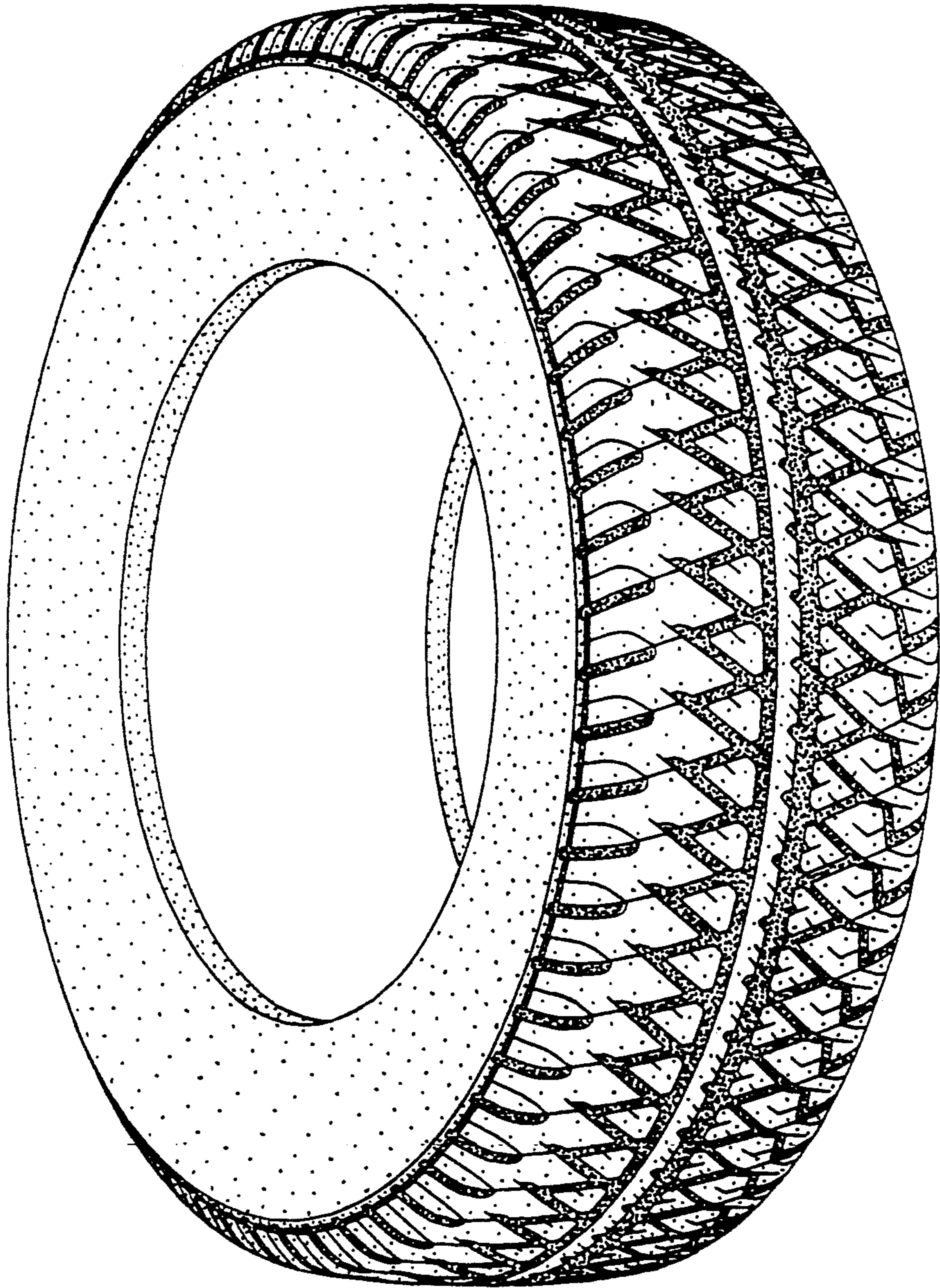


FIG. 2

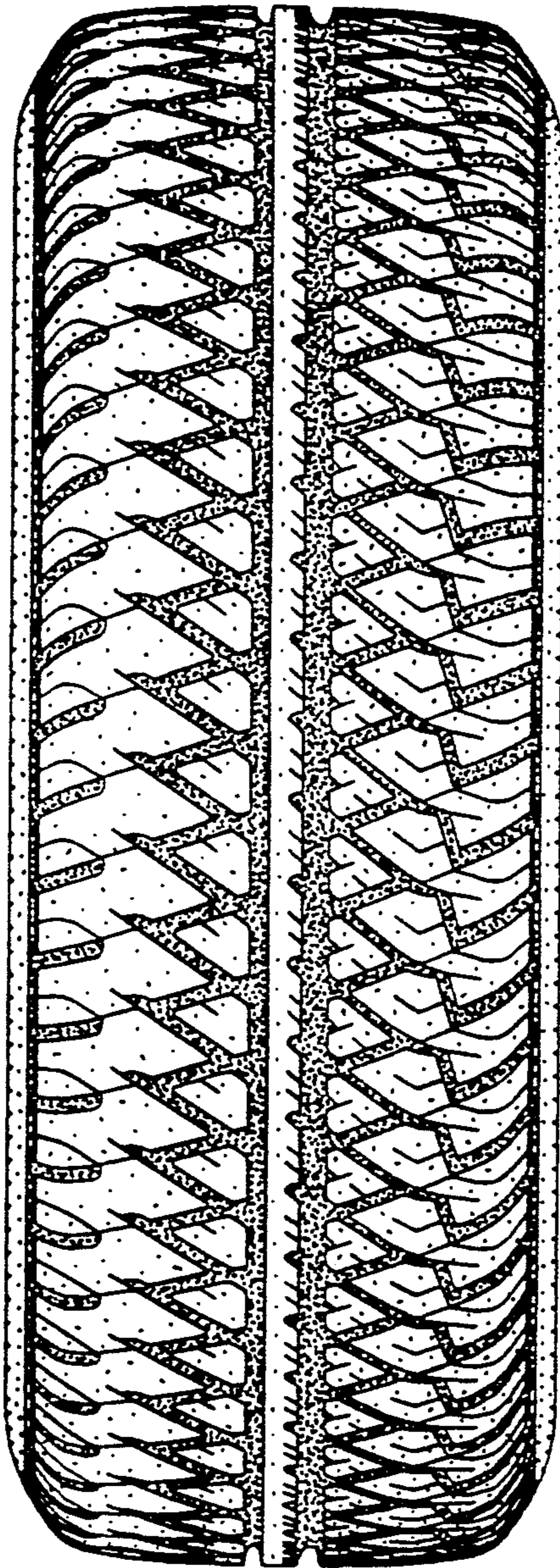


FIG. 3

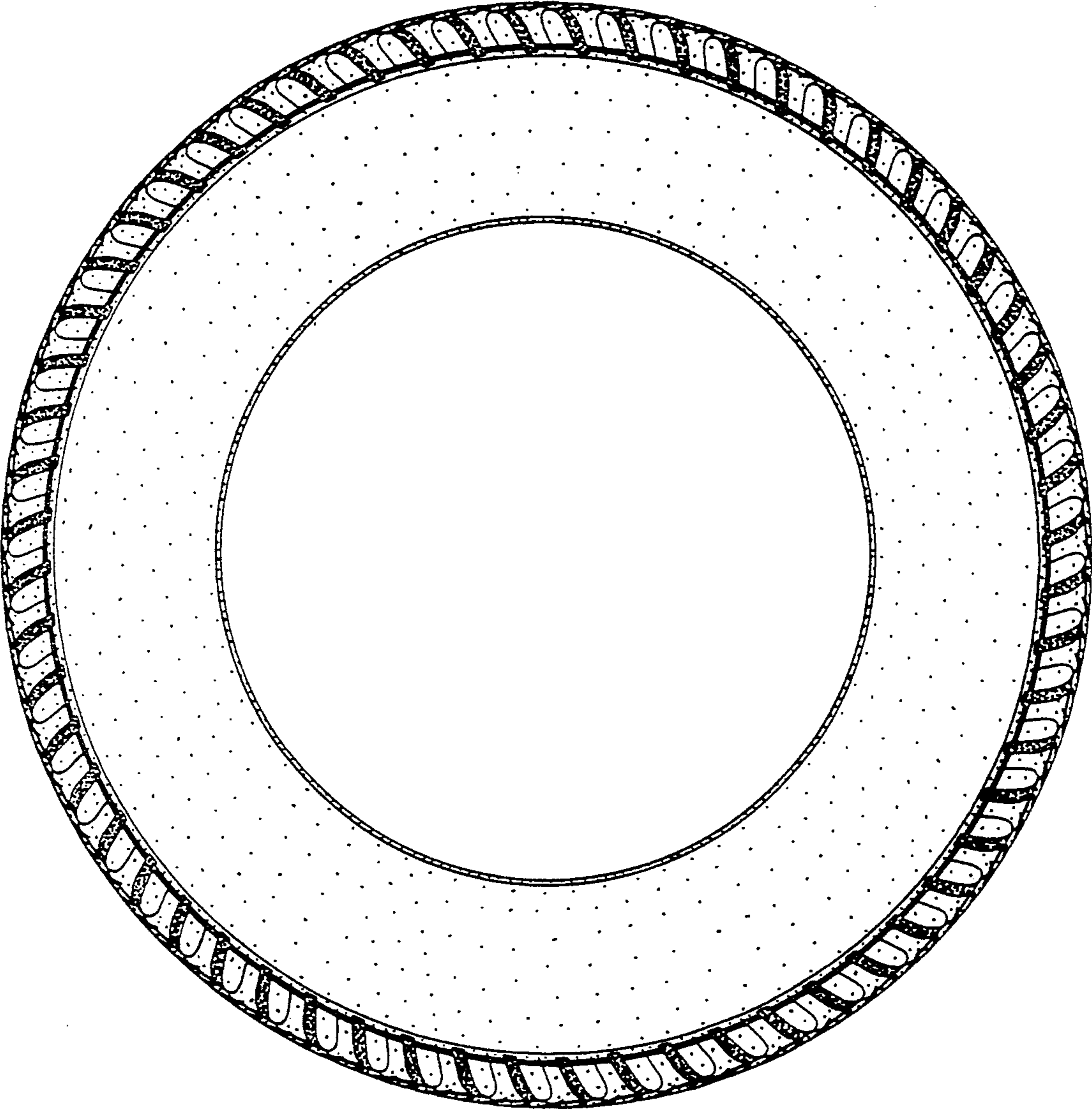


FIG. 4

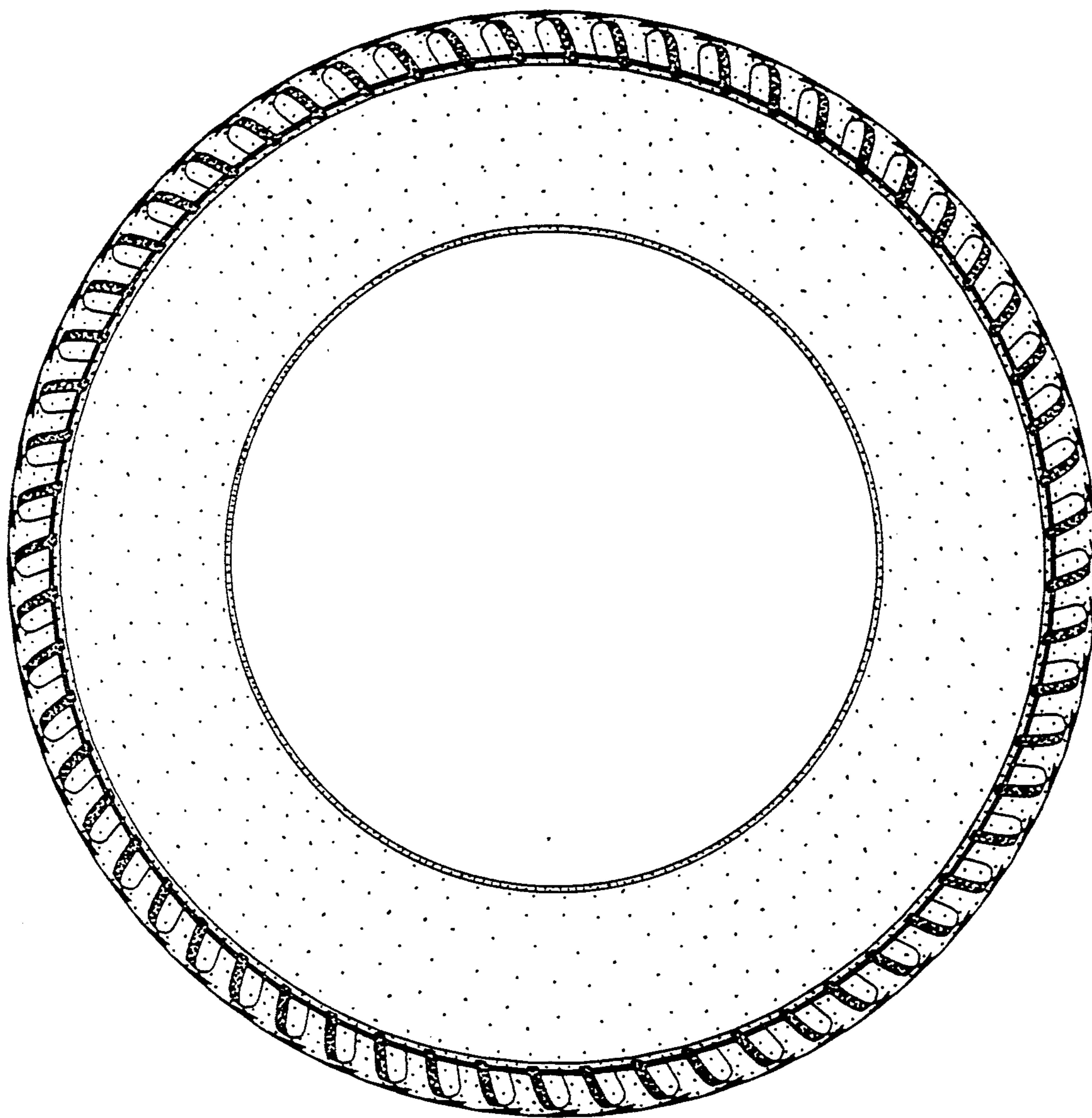


FIG. 5