



US00D329396S

**United States Patent** [19]  
**Mackay**

[11] **Patent Number: Des. 329,396**

[45] **Date of Patent: \*\* Sep. 15, 1992**

[54] **RADIATION THERMOMETER**

[75] **Inventor: Spencer L. Mackay, Agoura Hills, Calif.**

[73] **Assignee: Thermoscan Inc., San Diego, Calif.**

[\*\*] **Term: 14 Years**

[21] **Appl. No.: 583,342**

[22] **Filed: Sep. 13, 1990**

[52] **U.S. Cl. .... D10/57**

[58] **Field of Search ..... D10/52, 57, 58, 59, D10/60; 128/9, 12, 664, 736; 374/2, 126, 129, 130, 158, 164, 170, 208**

[56] **References Cited**

**U.S. PATENT DOCUMENTS**

- D. 317,414 6/1991 Lanci et al. .... D10/57
- 4,602,642 7/1986 O'Hara et al. .... D10/57 X
- 4,790,324 12/1988 O'Hara et al. .... 374/126 X

- 4,895,164 1/1990 Wood ..... 374/164 X
- 4,932,789 6/1990 Egawa et al. .... 374/126
- 5,024,533 6/1991 Egawa et al. .... 374/126

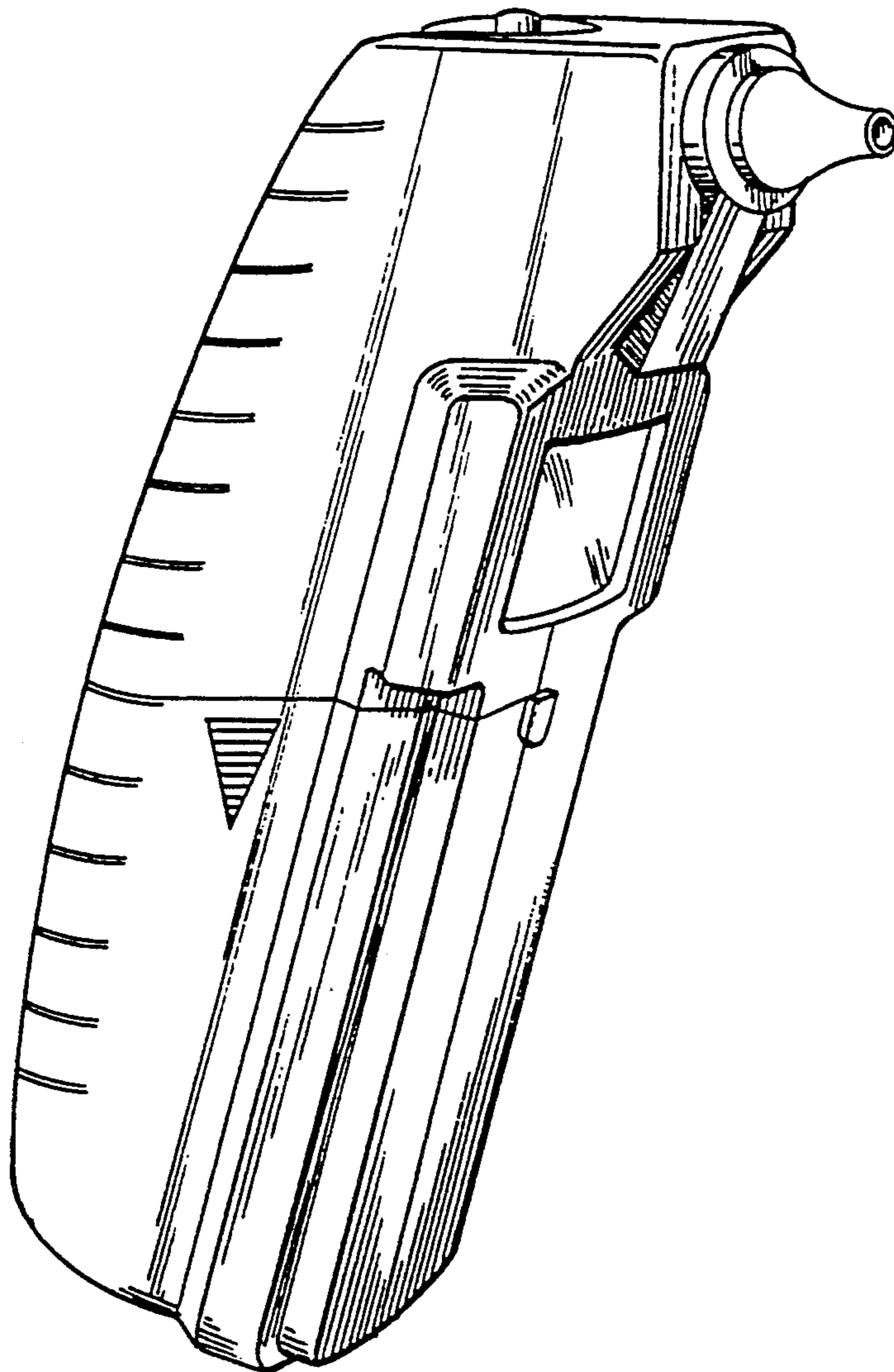
*Primary Examiner—Donald P. Walsh*  
*Assistant Examiner—Antoine D. Davis*  
*Attorney, Agent, or Firm—Nydegger & Associates*

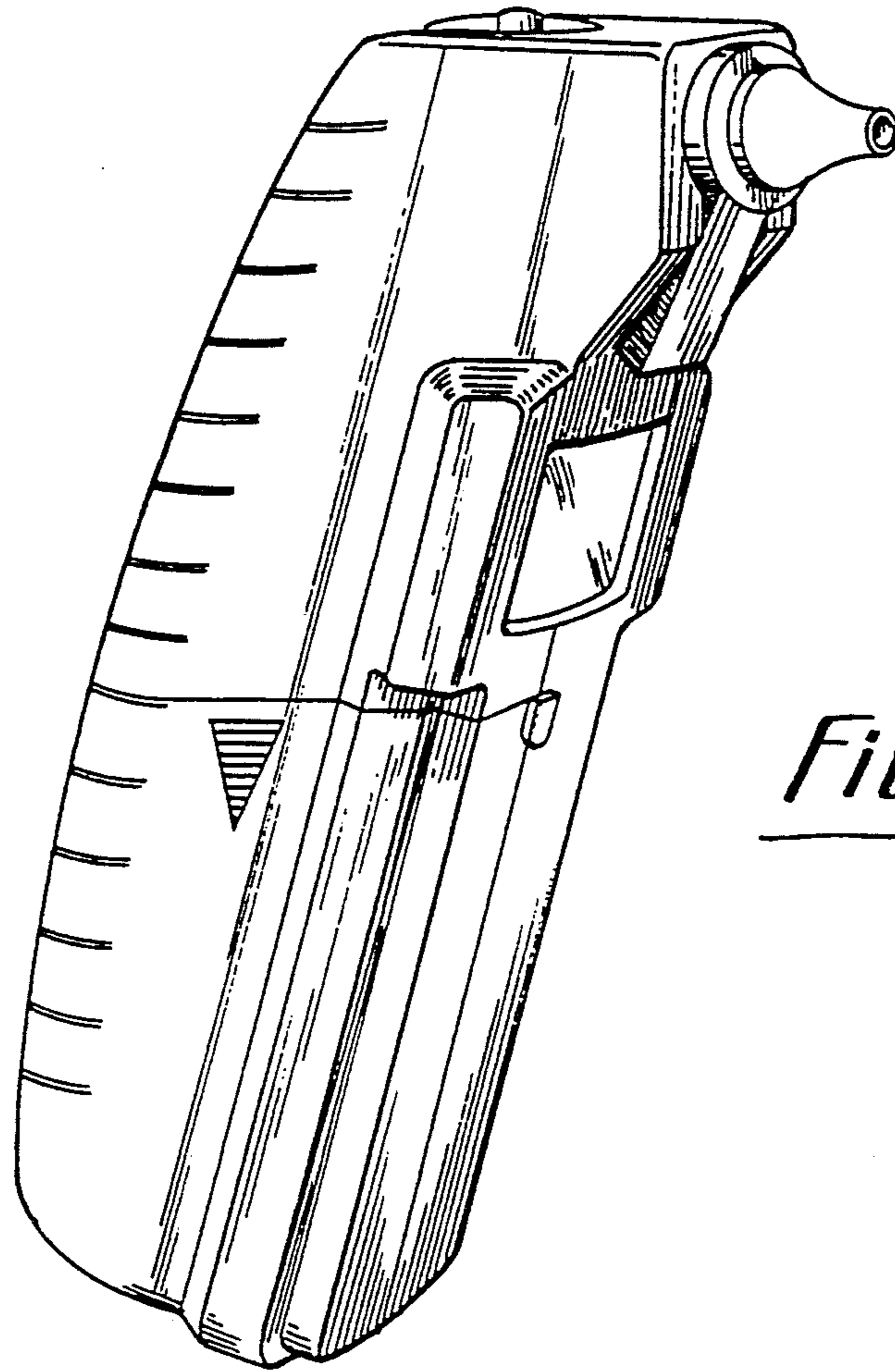
[57] **CLAIM**

The ornamental design for a radiation thermometer, as shown.

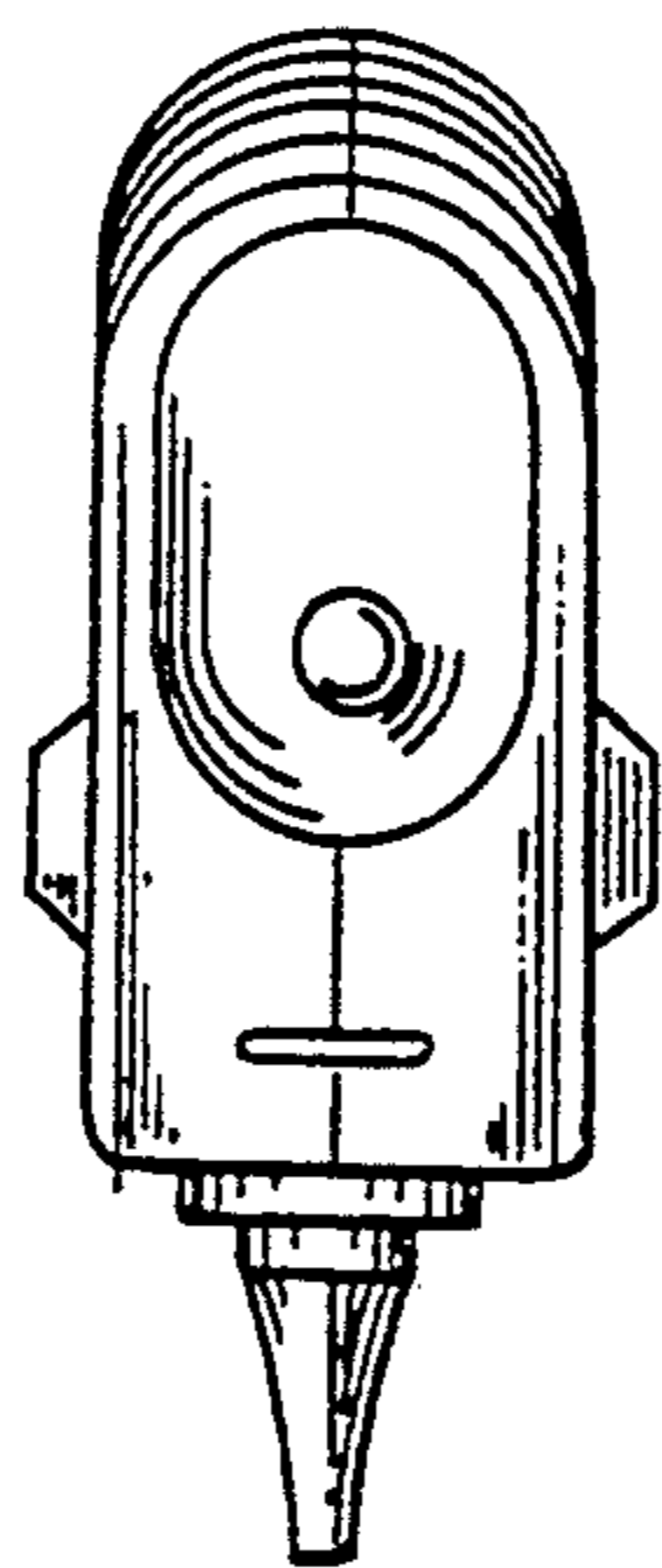
**DESCRIPTION**

FIG. 1 is a top, front and left side perspective view of a radiation thermometer showing my new design;  
FIG. 2 is a top plan view;  
FIG. 3 is a front elevational view;  
FIG. 4 is a right side elevational view;  
FIG. 5 is a left side elevational view;  
FIG. 6 is a rear elevational view; and,  
FIG. 7 is a bottom plan view thereof.

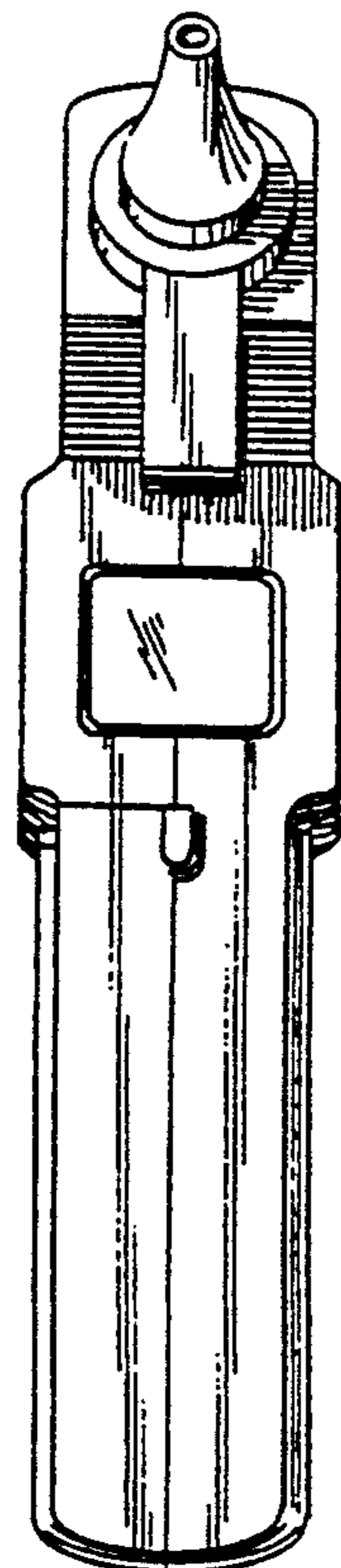




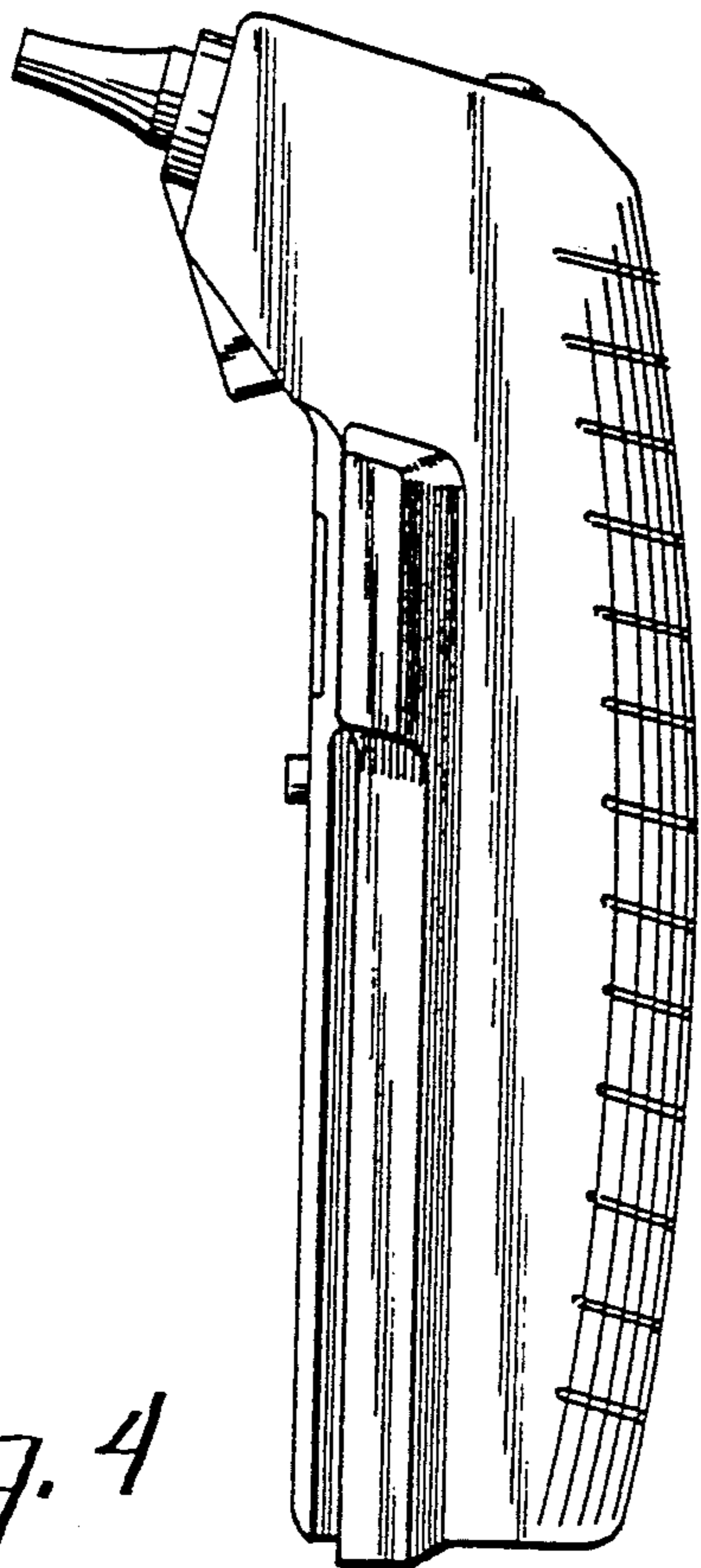
*Fig. 1*



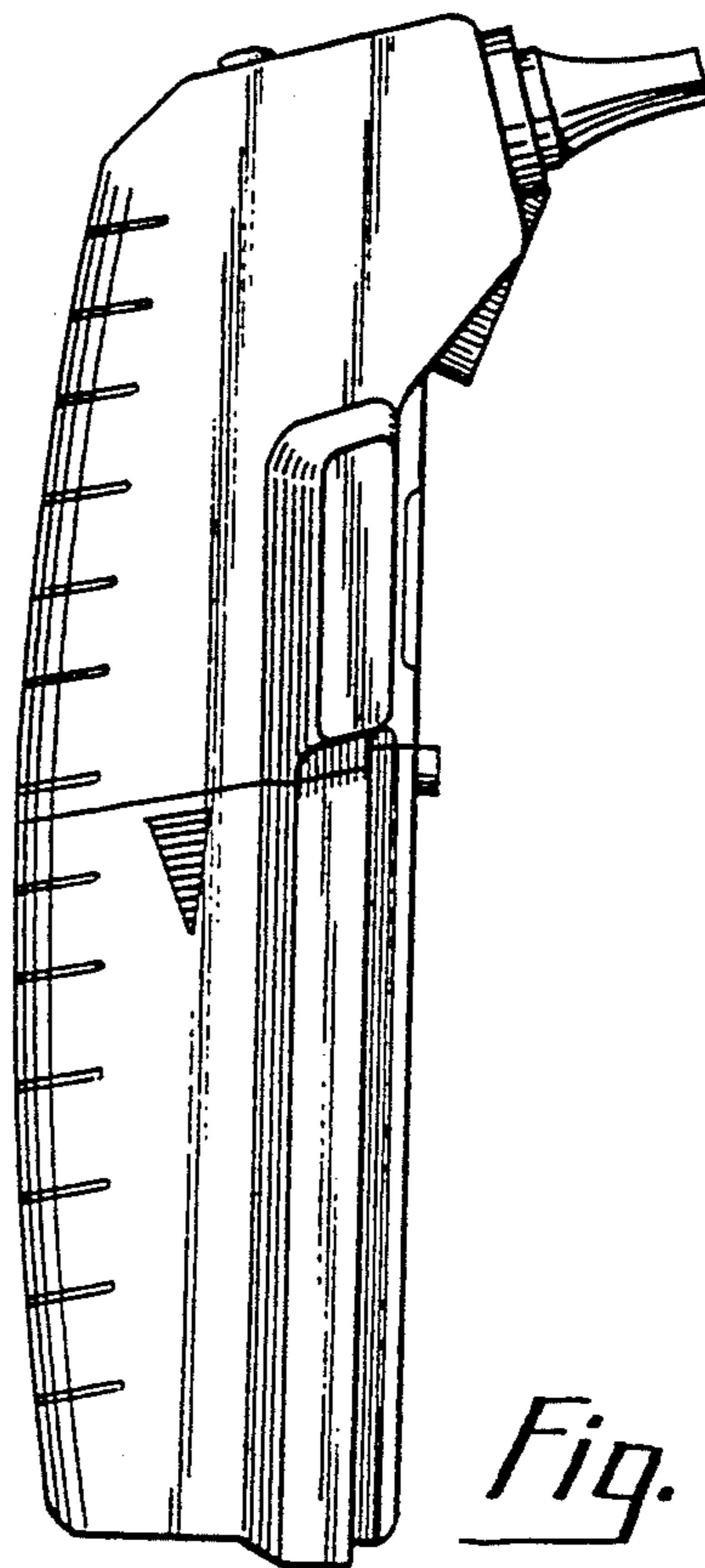
*Fig. 2*



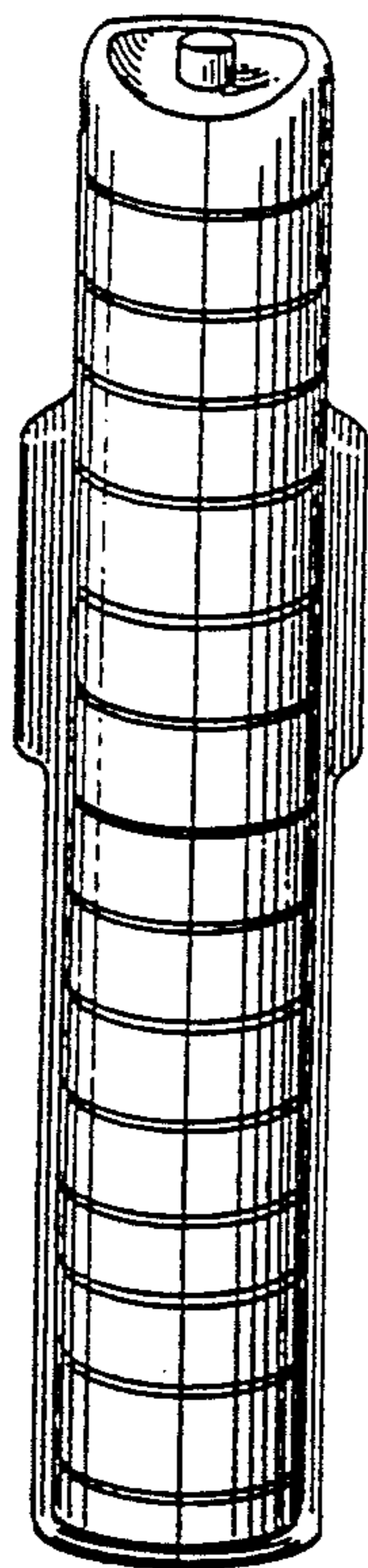
*Fig. 3*



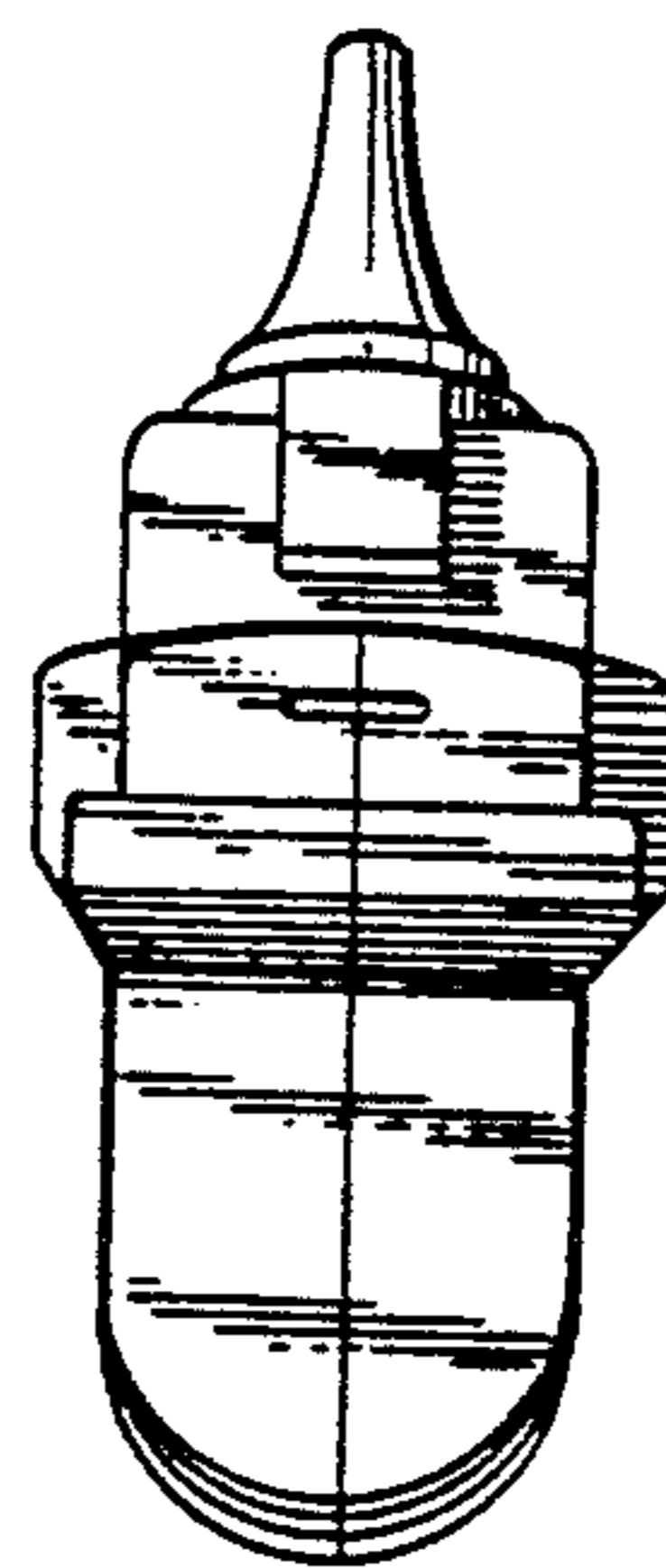
*Fig. 4*



*Fig. 5*



*Fig. 6*



*Fig. 7*