



US00D329395S

United States Patent [19] Mackay

[11] Patent Number: Des. 329,395

[45] Date of Patent: ** Sep. 15, 1992

[54] RADIATION THERMOMETER

[75] Inventor: Spencer L. Mackay, Agoura Hills, Calif.

[73] Assignee: Thermoscan Inc., San Diego, Calif.

[**] Term: 14 Years

[21] Appl. No.: 582,606

[22] Filed: Sep. 13, 1990

[52] U.S. Cl. D10/57

[58] Field of Search D10/52, 57, 58, 59,
D10/60; 128/9, 12, 664, 736; 374/2, 126, 129,
130, 158, 164, 170, 208

[56] References Cited

U.S. PATENT DOCUMENTS

- D. 317,414 6/1991 Lanci et al. D10/57
- 4,602,642 7/1986 O'Hara et al. D10/57 X
- 4,790,324 12/1988 O'Hara et al. 374/126 X

- 4,895,164 1/1990 Wood 374/164 X
- 4,932,789 6/1990 Egawa et al. 374/126
- 5,024,533 6/1991 Egawa et al. 374/126

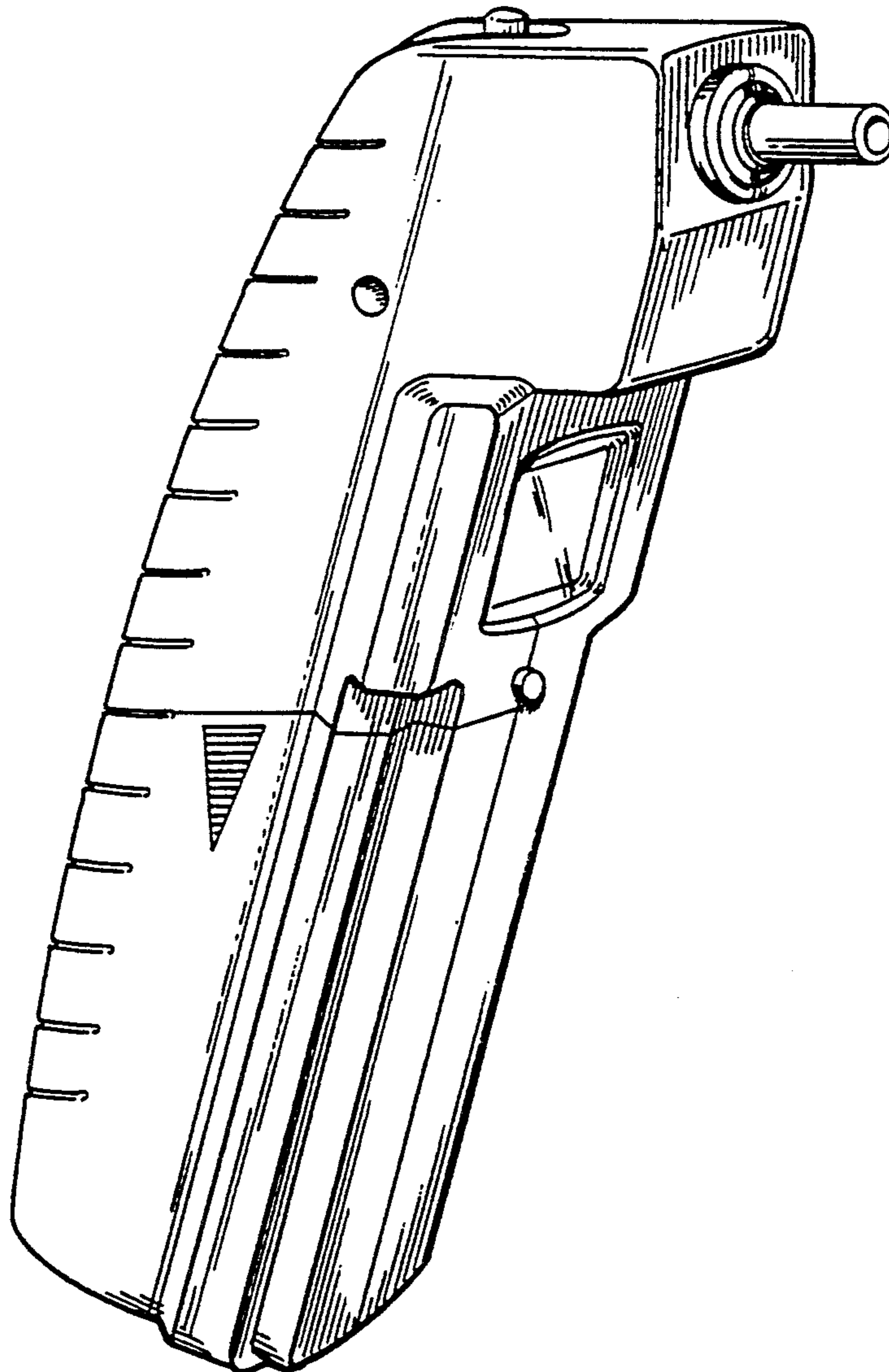
Primary Examiner—Donald P. Walsh
Assistant Examiner—Antoine D. Davis
Attorney, Agent, or Firm—Nydegger & Associates

[57] CLAIM

The ornamental design for a radiation thermometer, as shown.

DESCRIPTION

FIG. 1 is a top, front and left side perspective view of a radiation thermometer showing my new design; FIG. 2 is a top plan view; FIG. 3 is a front elevational view; FIG. 4 is a right side elevational view; FIG. 5 is a left side elevational view; FIG. 6 is a rear elevational view; and, FIG. 7 is a bottom plan view thereof.



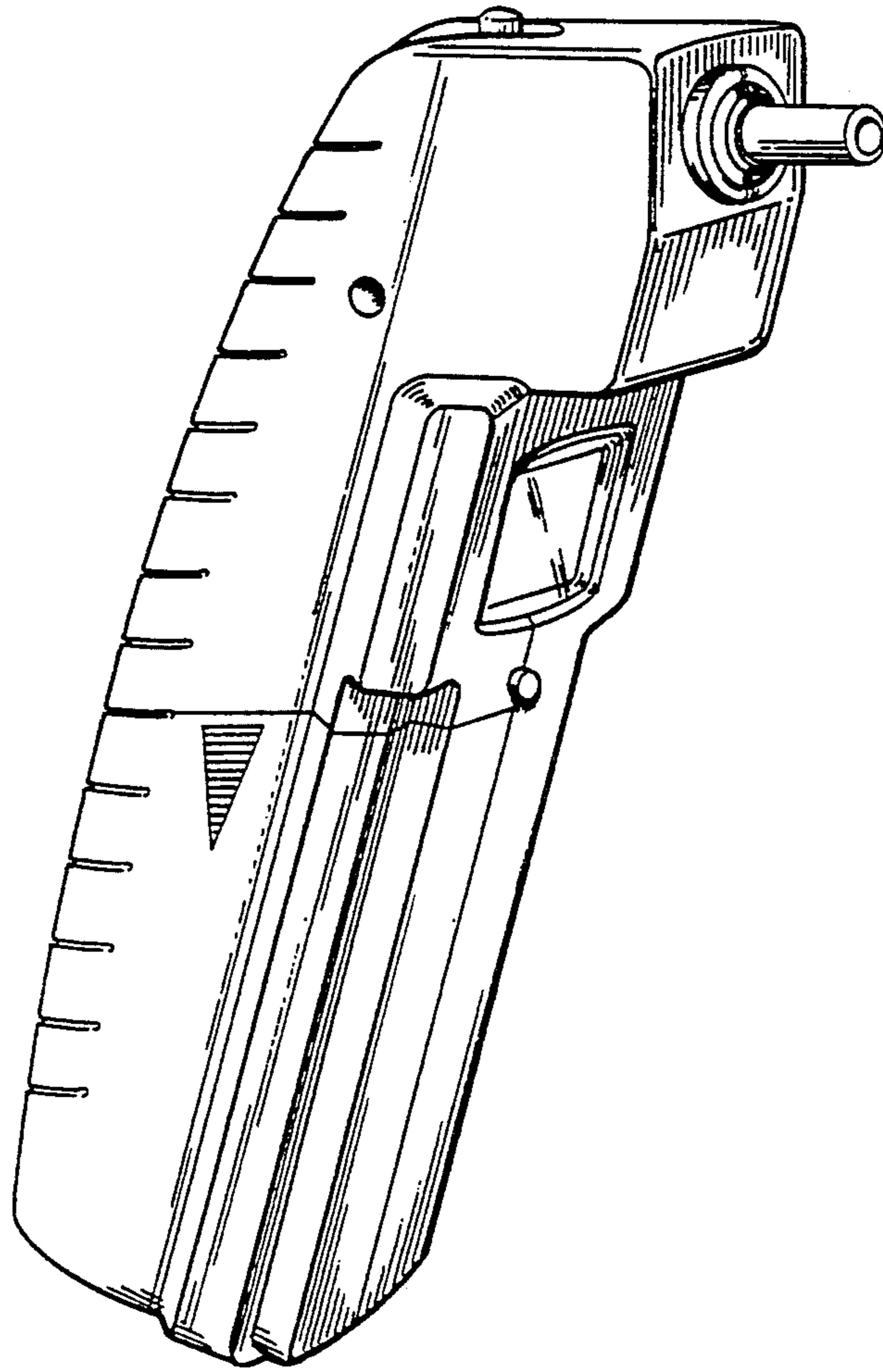


Fig. 1

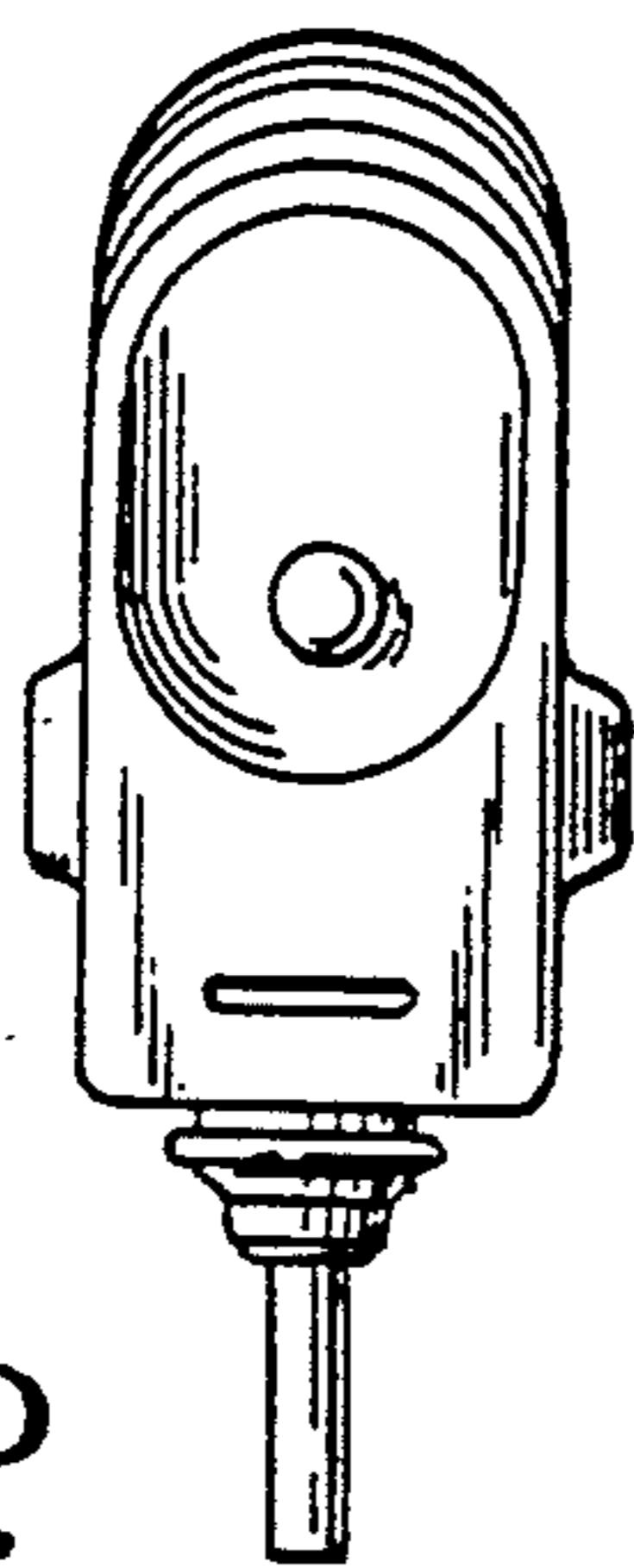


Fig. 2

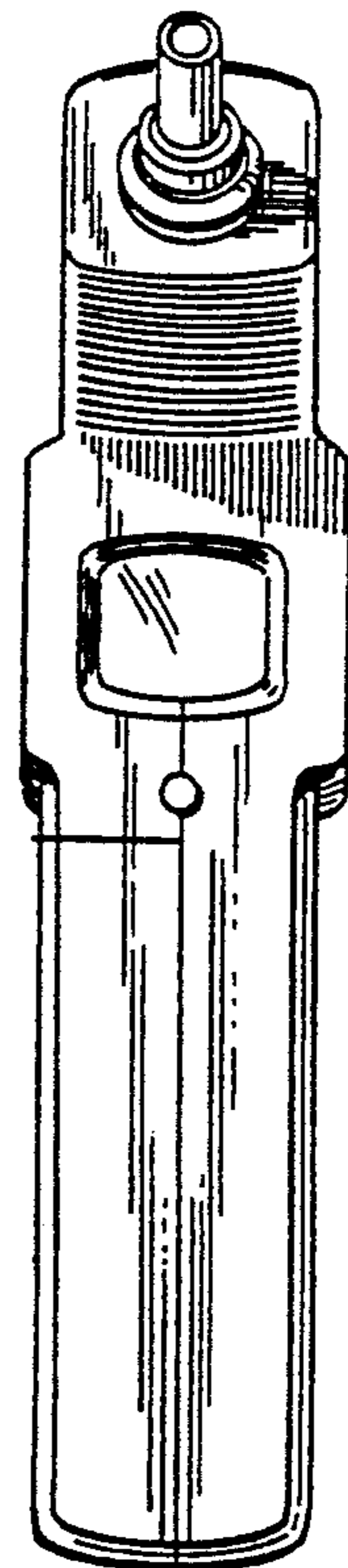


Fig. 3

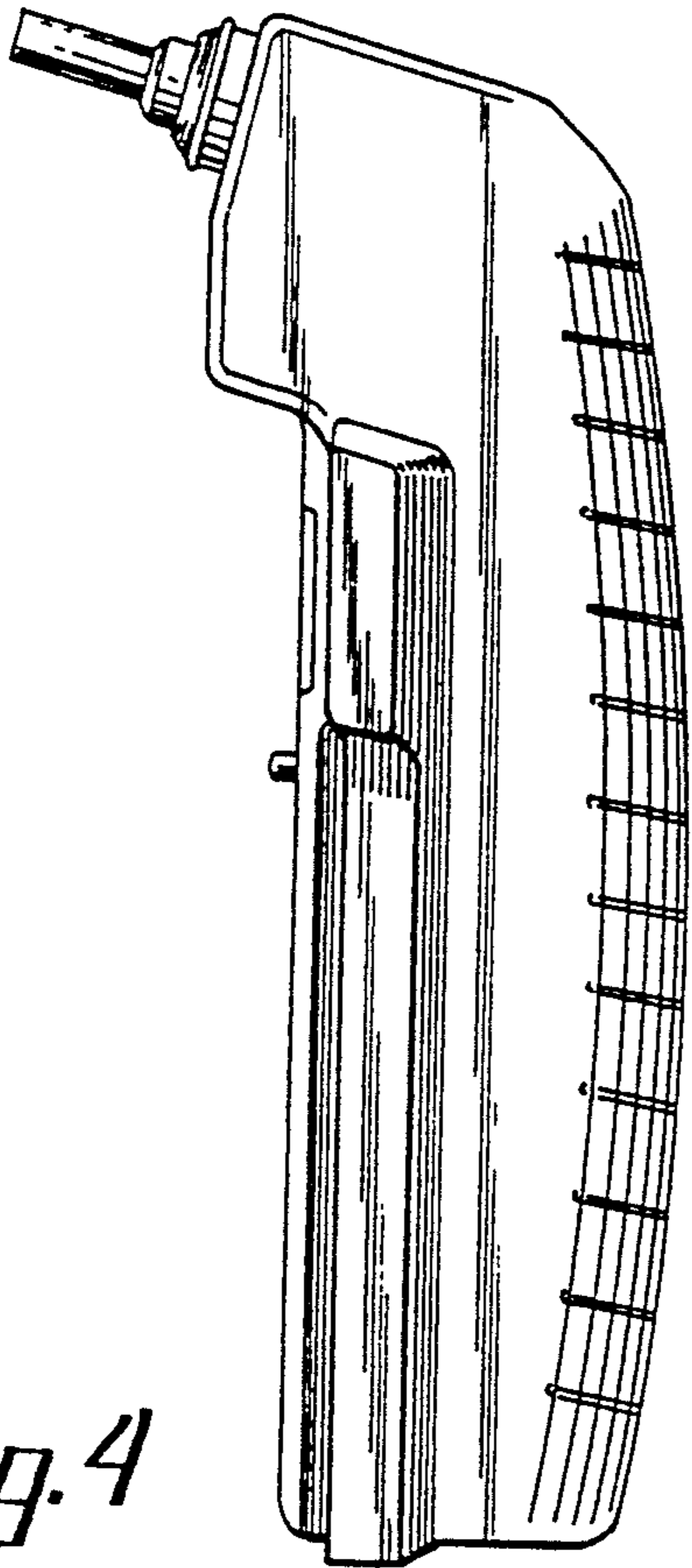


Fig. 4

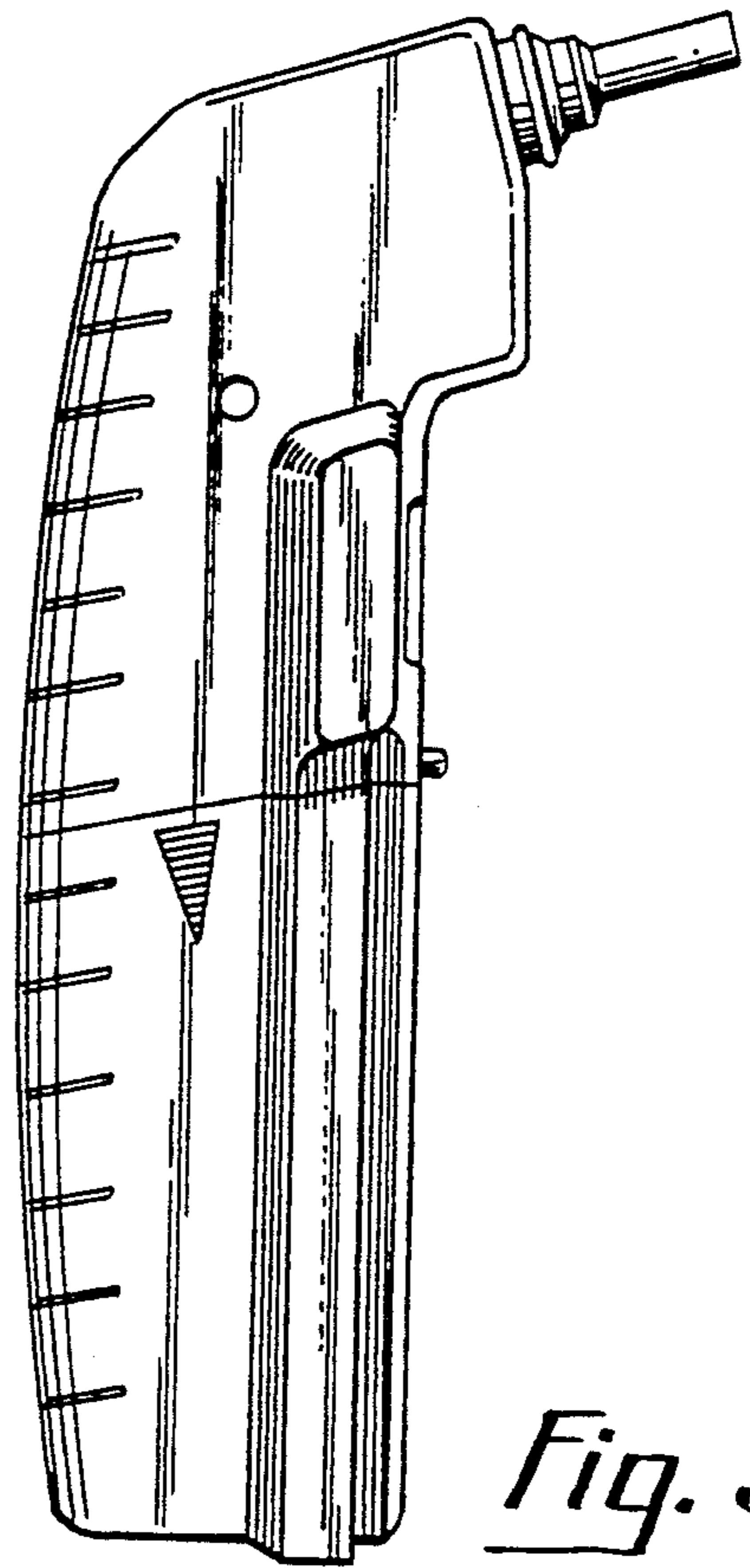


Fig. 5

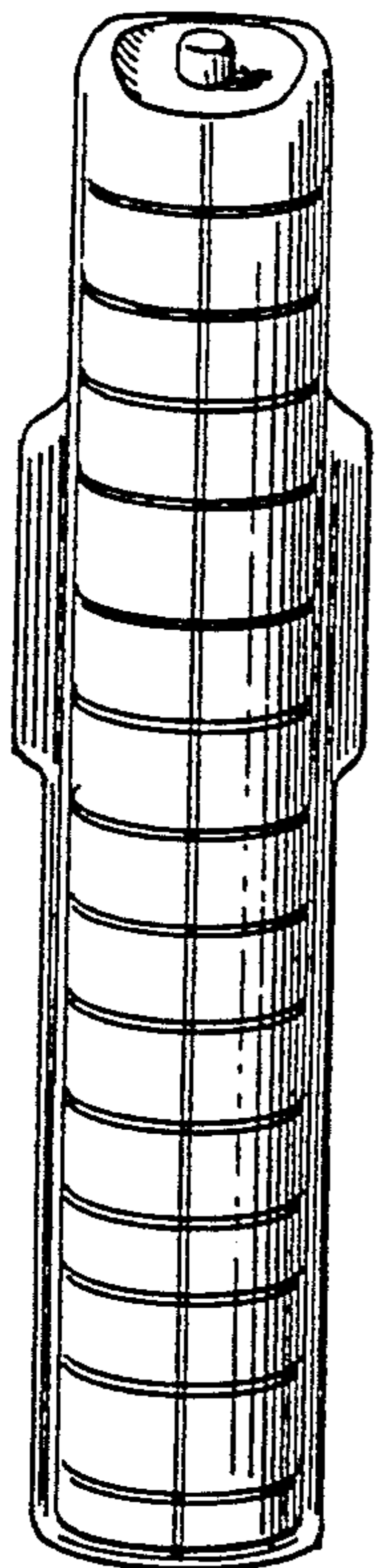


Fig. 6

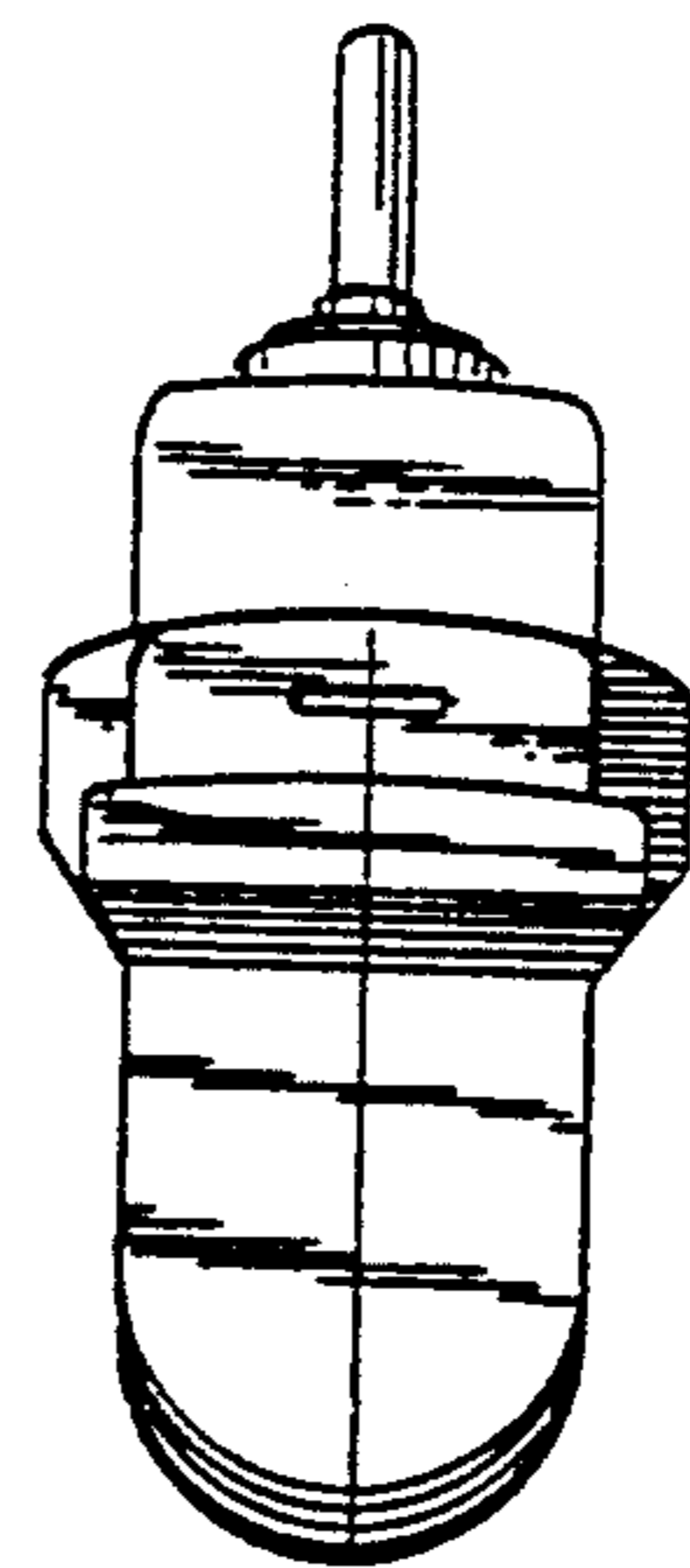


Fig. 7