



US00D329394S

United States Patent [19]

Parsons et al.

[11] Patent Number: **Des. 329,394**

[45] Date of Patent: **** Sep. 15, 1992**

[54] REFLECTOR UNIT FOR TRAILERS OR THE LIKE

[75] Inventors: **Paul E. Parsons**, Milford, Del.; **Cathy L. Slama**, Turlock, Calif.

[73] Assignee: **Conagra, Inc.**, Omaha, Nebr.

[**] Term: **14 Years**

[21] Appl. No.: **563,966**

[22] Filed: **Aug. 7, 1990**

[52] U.S. Cl. **D10/111**

[58] Field of Search **D10/109, 111, 121; 359/521, 522, 523, 524, 525, 545, 546, 547, 548, 549, 550; D12/106**

[56] **References Cited**

U.S. PATENT DOCUMENTS

D. 241,022 8/1976 Disbrow D10/111

D. 276,659	12/1984	Habro	D26/118
1,892,860	1/1933	Wehr et al.	359/549
2,171,481	8/1939	Pickering	D10/111
2,859,662	11/1958	Rider	359/549

Primary Examiner—Wallace R. Burke

Assistant Examiner—Marcus Jackson

Attorney, Agent, or Firm—Raymond N. Baker

[57] **CLAIM**

The ornamental design for a reflective unit for trailers or the like, as shown and described.

DESCRIPTION

FIG. 1 is a front elevational view of a reflector unit for trailers or the like showing our new design; FIG. 2 is a right side elevational view thereof, with the opposite side being a mirror image; FIG. 3 is a bottom plan view thereof; FIG. 4 is a top plan view thereof; and, FIG. 5 is a rear elevational view thereof.

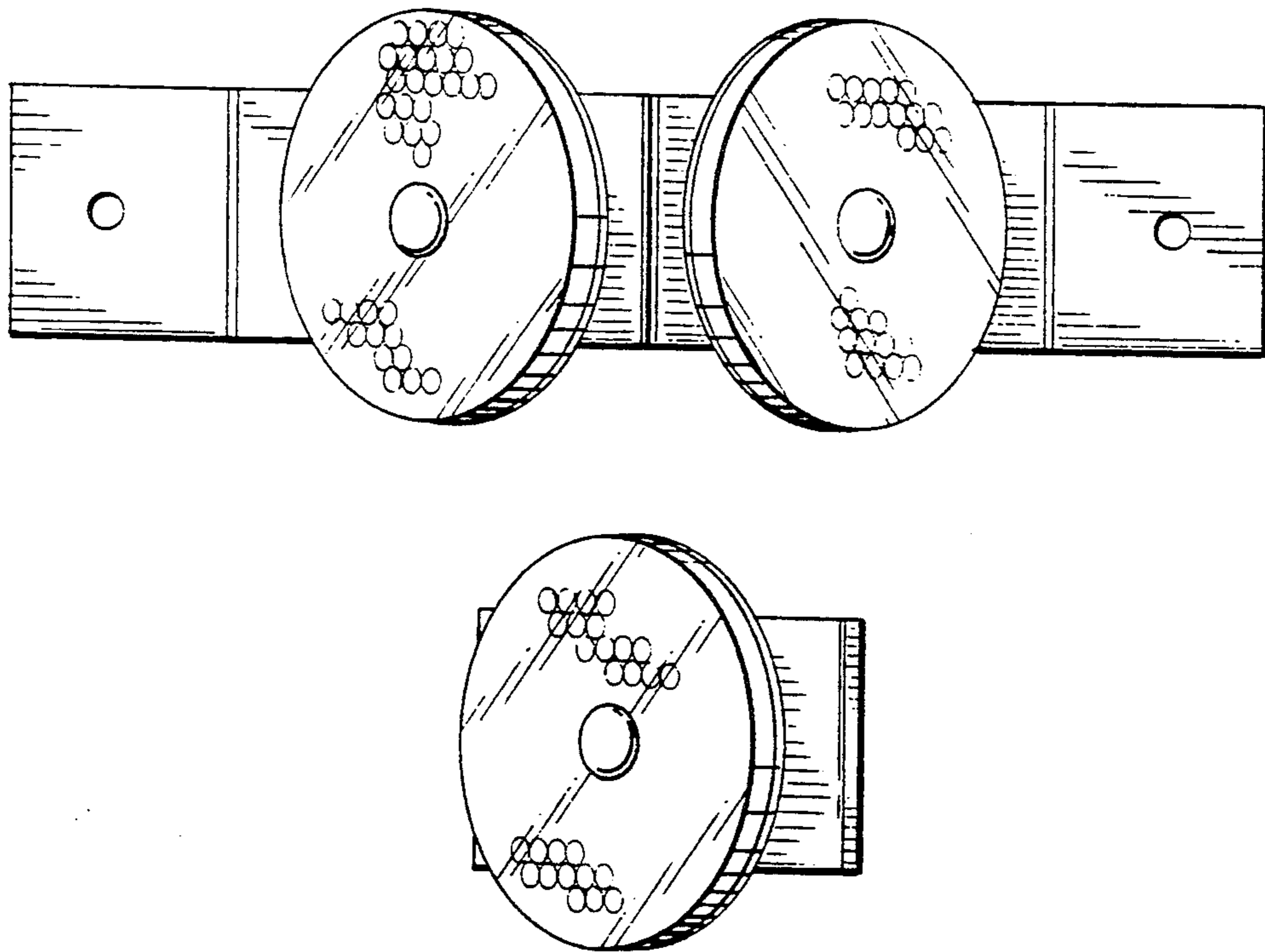


FIG. 1

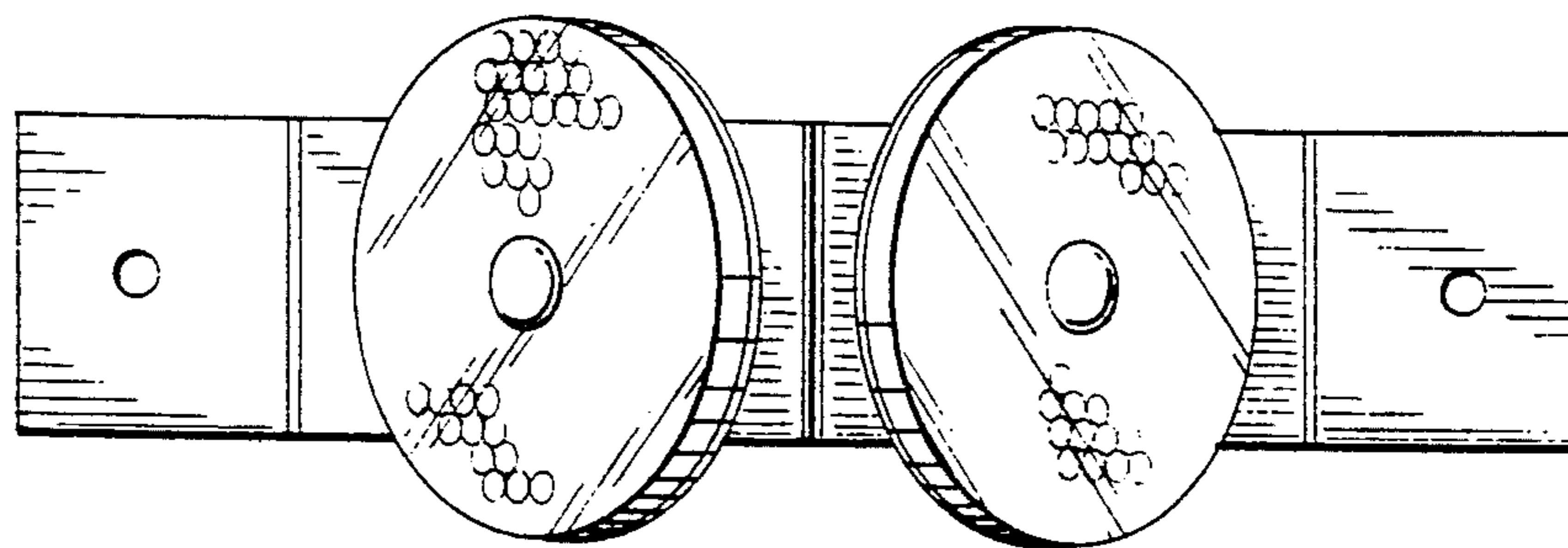


FIG. 2

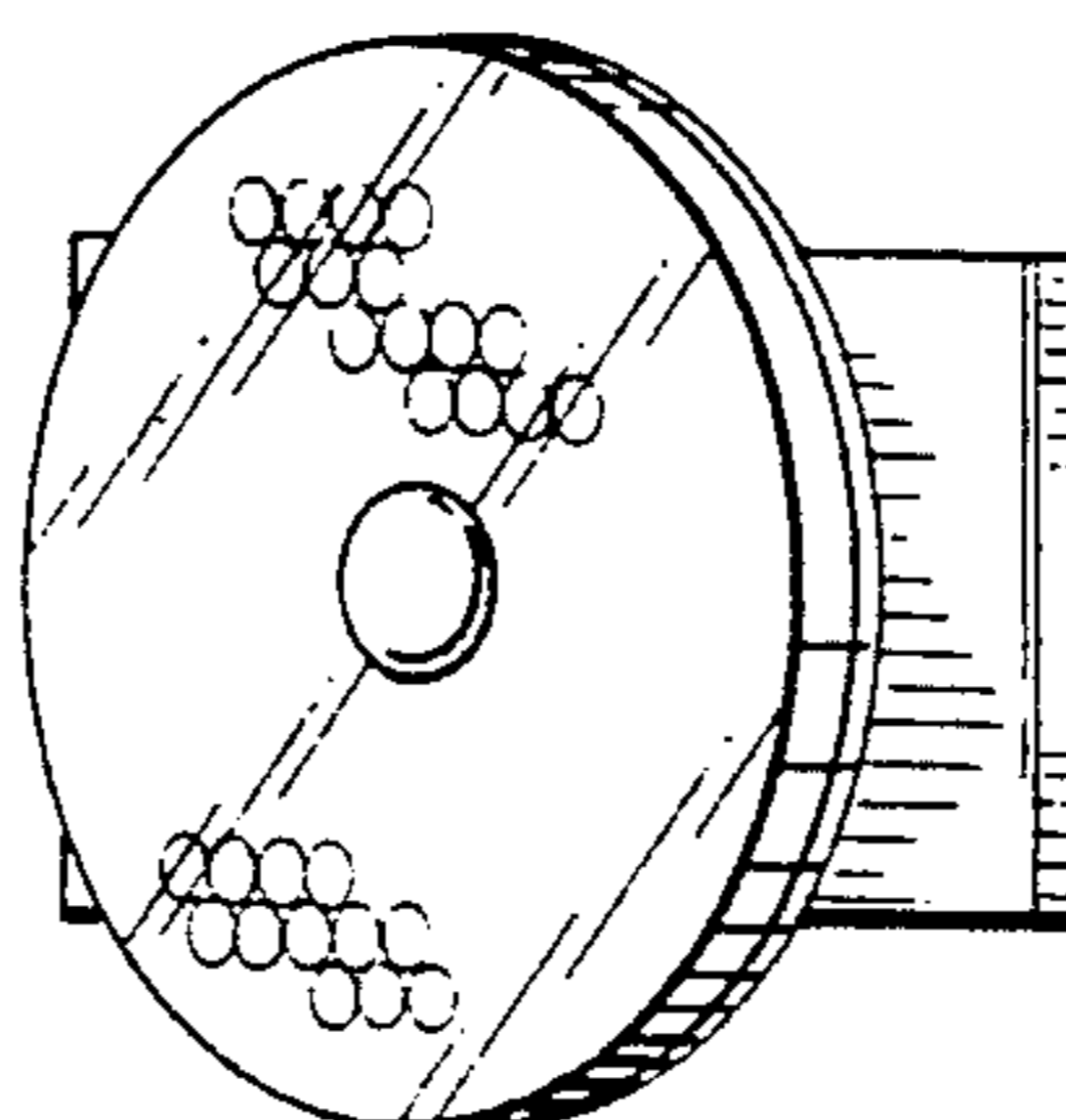


FIG. 3

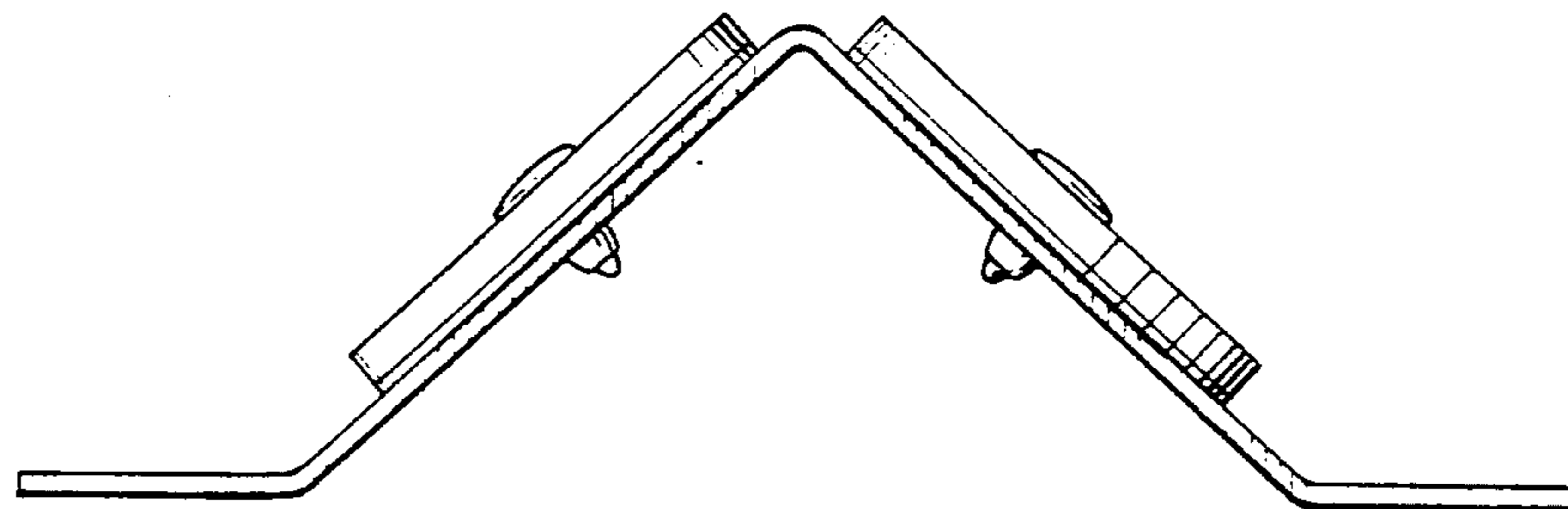


FIG. 4

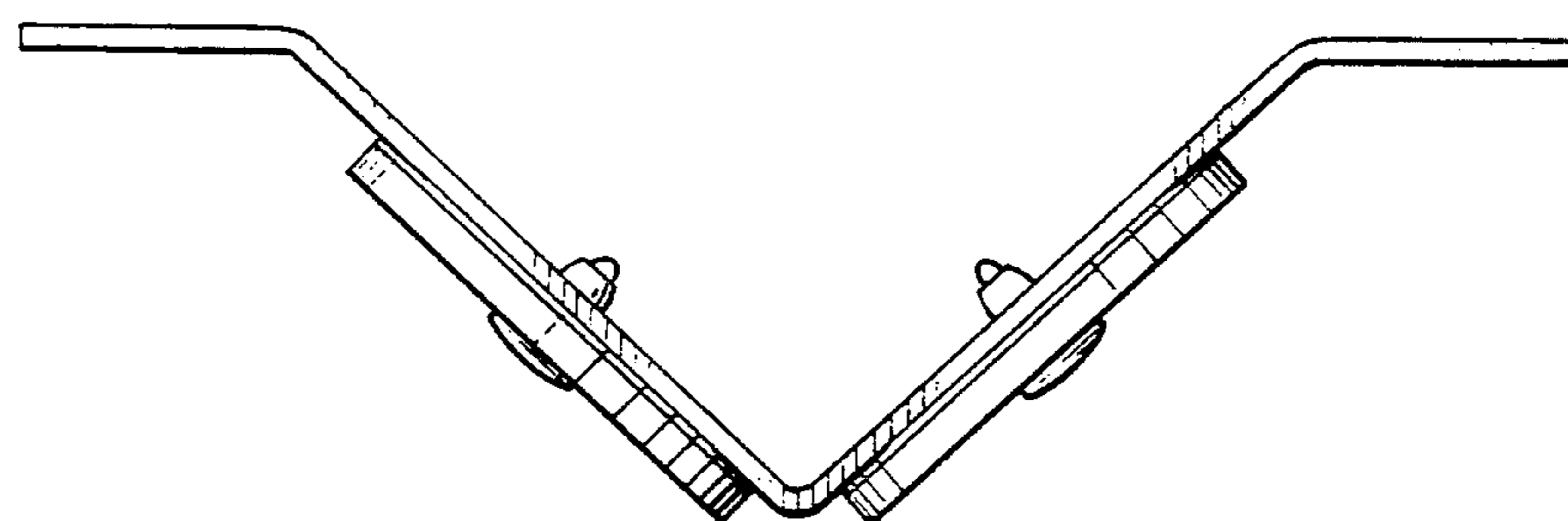


FIG. 5

