



US00D329390S

# United States Patent [19]

Alfonso et al.

[11] Patent Number: Des. 329,390

[45] Date of Patent: \*\* Sep. 15, 1992

[54] AUTOMOTIVE TEST TERMINAL

[75] Inventors: **Pedro M. Alfonso**, Delray Beach; **Pedro E. Fernandez**; **John C. Irwin**, both of Boca Raton, all of Fla.; **Randall W. Martin**, The Woodlands, Tex.; **Robert W. Montedonico**, Englewood, Fla.; **Kenneth C. Musgrave**, Atlanta, Ga.; **Mark S. Small**, Delray Beach, Fla.

[73] Assignee: **International Business Machines Corporation**, Armonk, N.Y.

[\*\*] Term: **14 Years**

[21] Appl. No.: **567,443**

[22] Filed: **Jul. 30, 1990**

[52] U.S. Cl. .... **D10/75; D10/46**

[58] Field of Search ..... **D10/46, 75; D24/11, D24/17; D14/100, 107, 114; 324/378, 379, 77 R, 394, 402; 364/130, 424.1, 424.3, 424.4, 481**

[56] **References Cited**

**U.S. PATENT DOCUMENTS**

- D. 178,036 6/1956 Brown ..... D26/5
- D. 188,789 9/1960 Hannon ..... D10/75

- D. 253,235 10/1979 Schick ..... D14/43
- D. 262,442 12/1981 Bressler et al. .... D10/75 X
- D. 267,553 1/1983 Bressler et al. .... D10/75
- D. 299,345 1/1989 Foy et al. .... D14/102
- D. 307,397 4/1990 Lehtikoski ..... D10/46
- D. 310,494 9/1990 Kzadski et al. .... D10/75
- D. 313,764 1/1991 Shaffer et al. .... D10/75
- D. 313,947 1/1991 Shaffer et al. .... D10/75
- 4,337,515 6/1982 Kreft ..... D10/75 X

*Primary Examiner*—Donald P. Walsh  
*Assistant Examiner*—Antoine D. Davis  
*Attorney, Agent, or Firm*—Richard A. Tomlin

[57] **CLAIM**

The ornamental design for an automotive test terminal, as shown and described.

**DESCRIPTION**

FIG. 1 is a perspective view of an automotive test terminal showing our new design; FIG. 2 is a front elevational view; FIG. 3 is a rear elevational view; FIG. 4 is a left side elevational view; FIG. 5 is a right side elevational view; FIG. 6 is a top plan view; and, FIG. 7 is a bottom plan thereof. FIGS. 1-3, 6 and 7 have been drawn on an enlarged scale with respect to FIGS. 4 and 5.

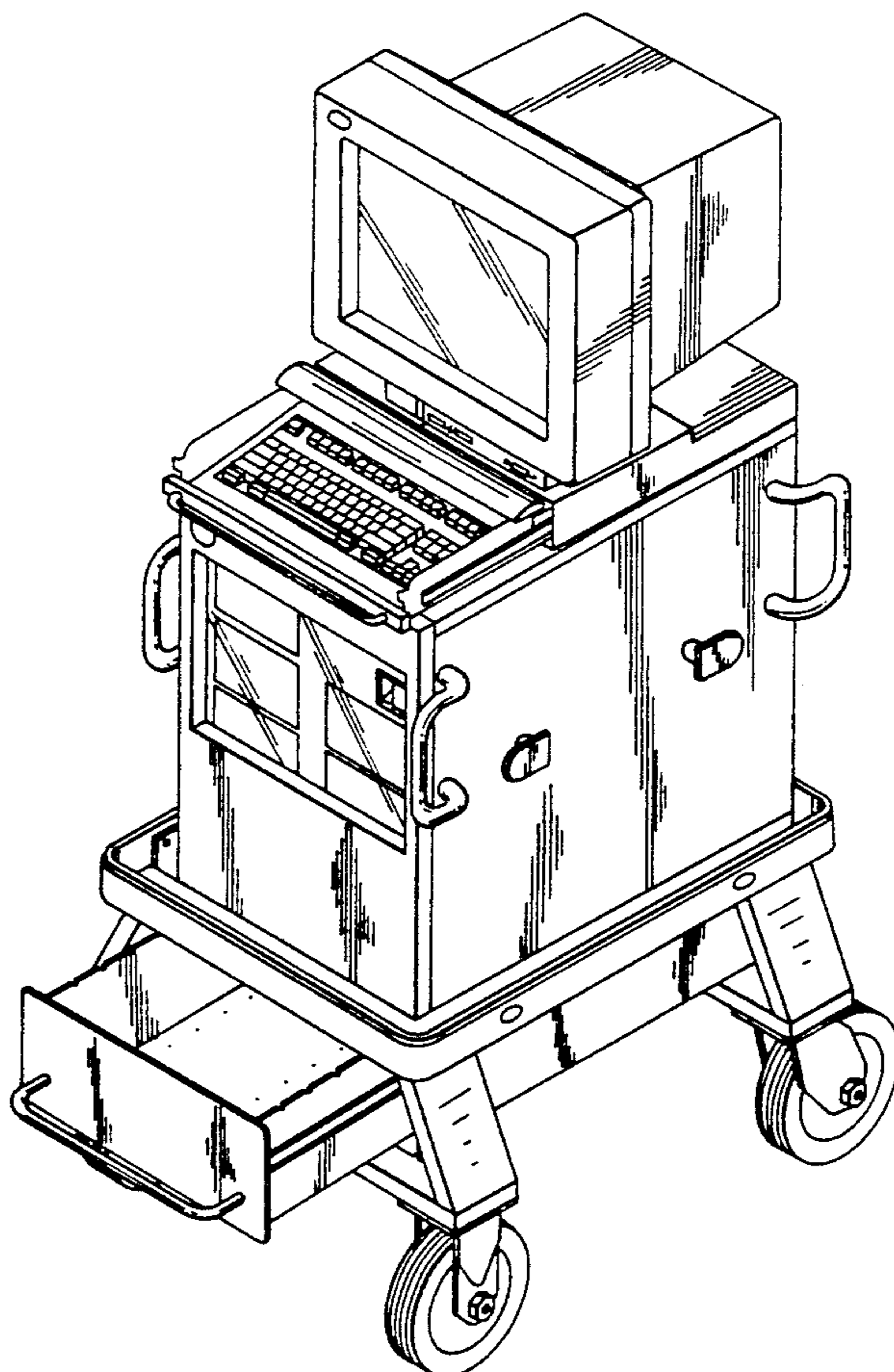


FIG. 1

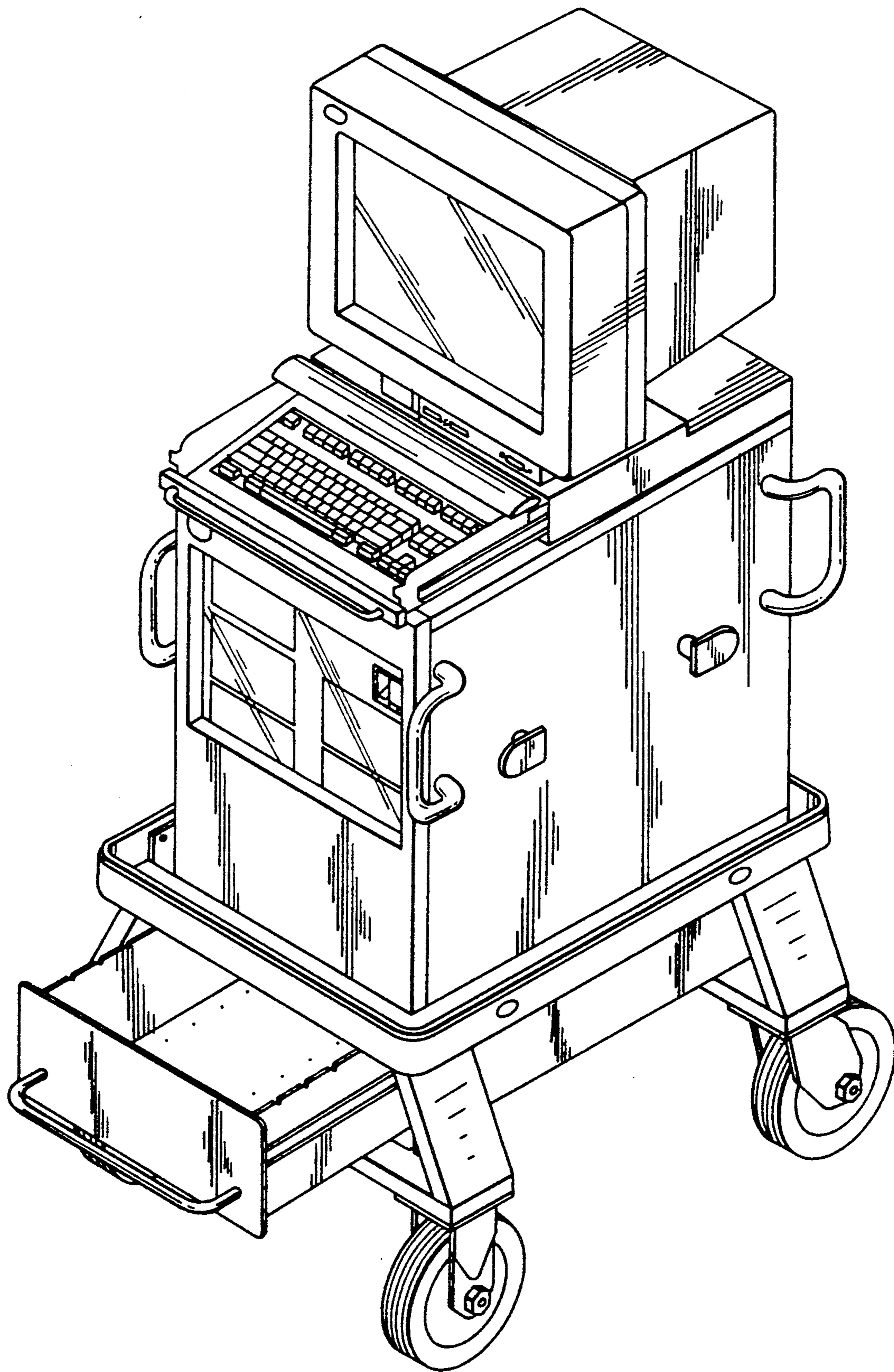




FIG. 2

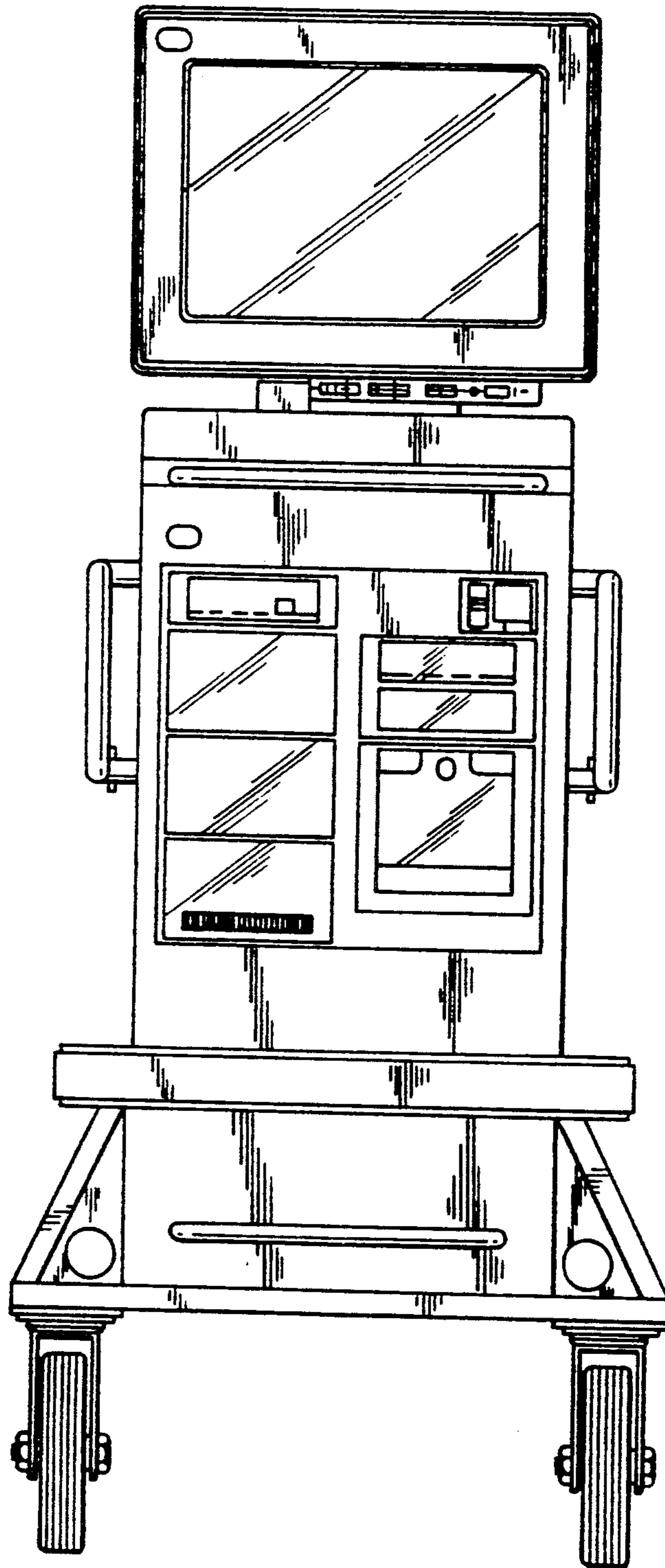


FIG. 3

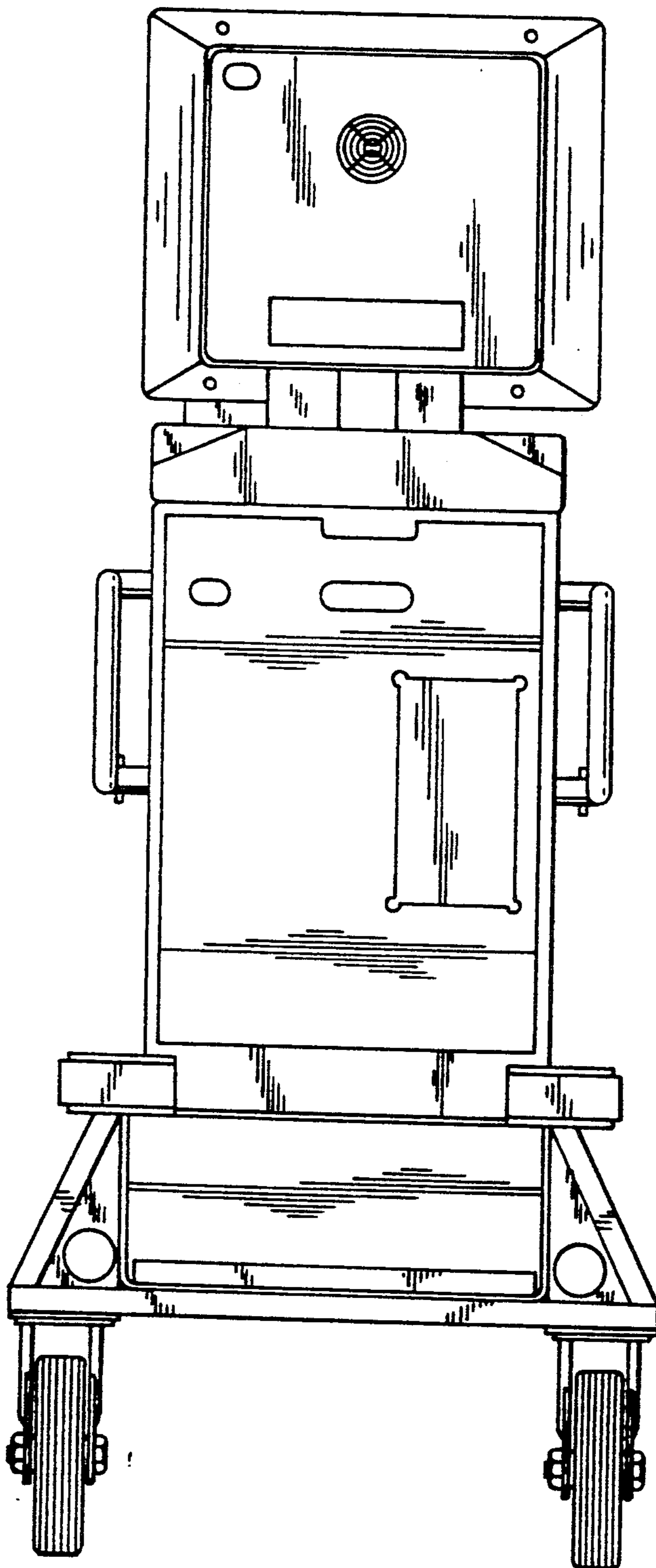


FIG. 4

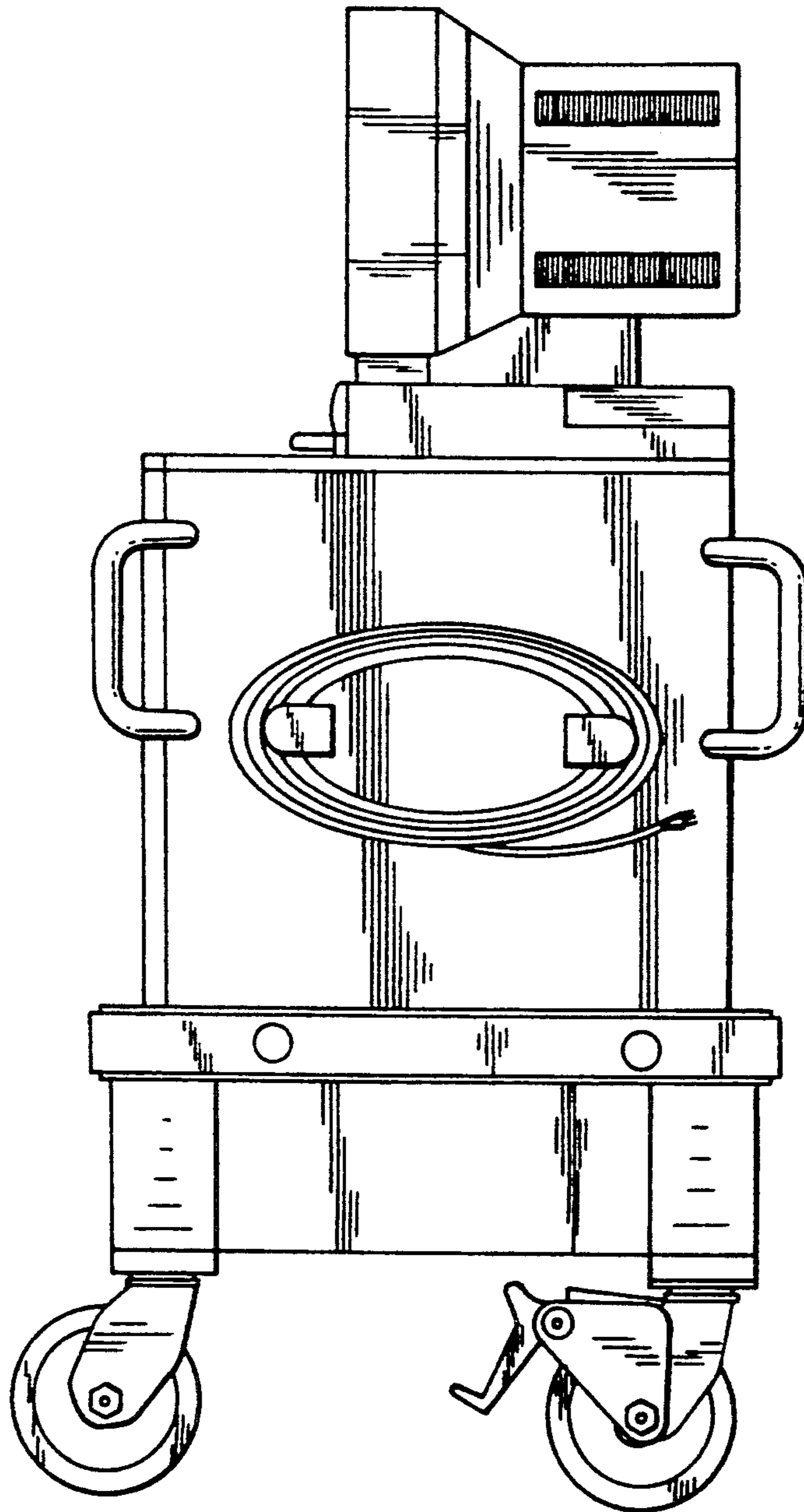


FIG. 5

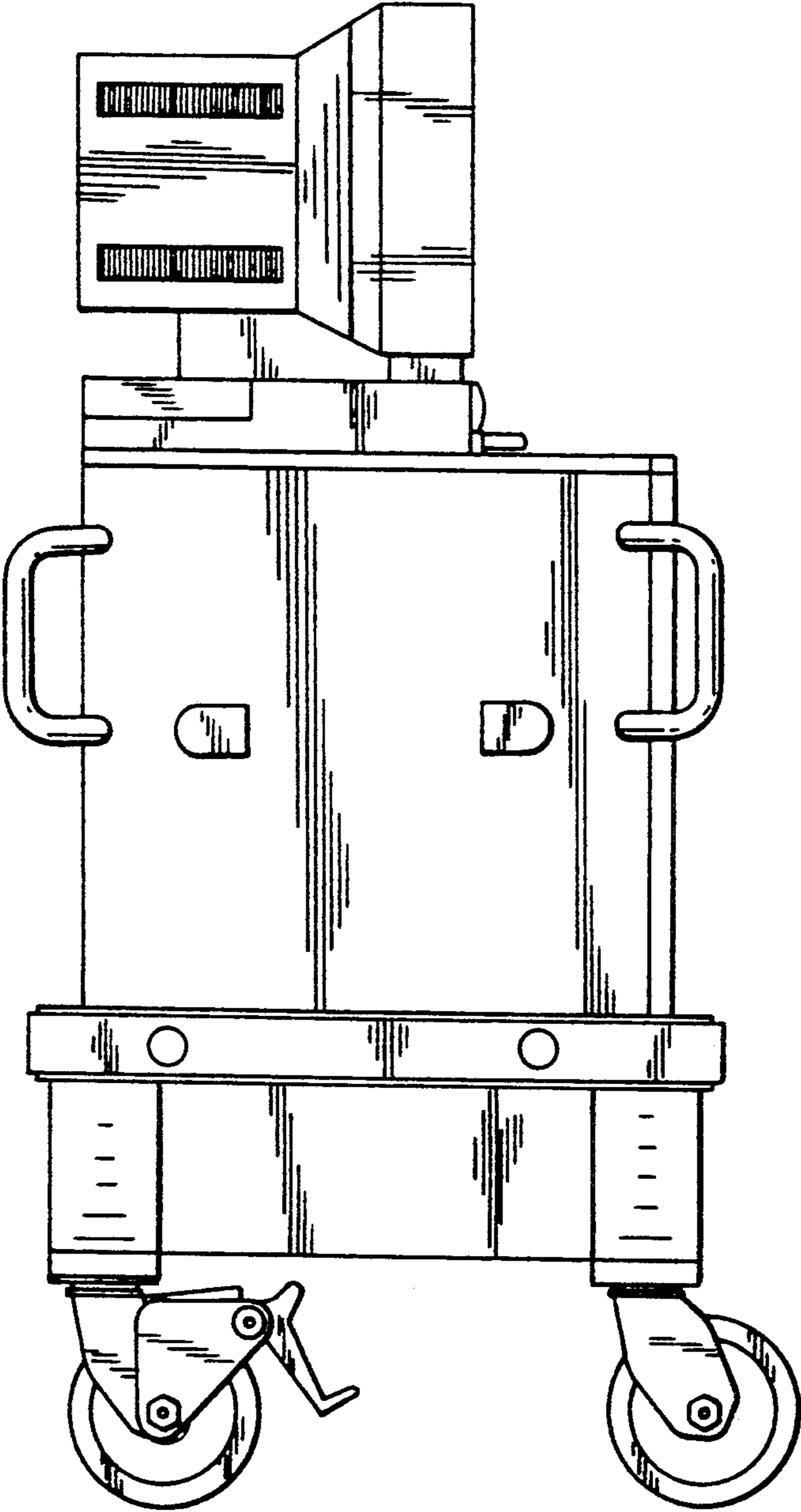


FIG. 6

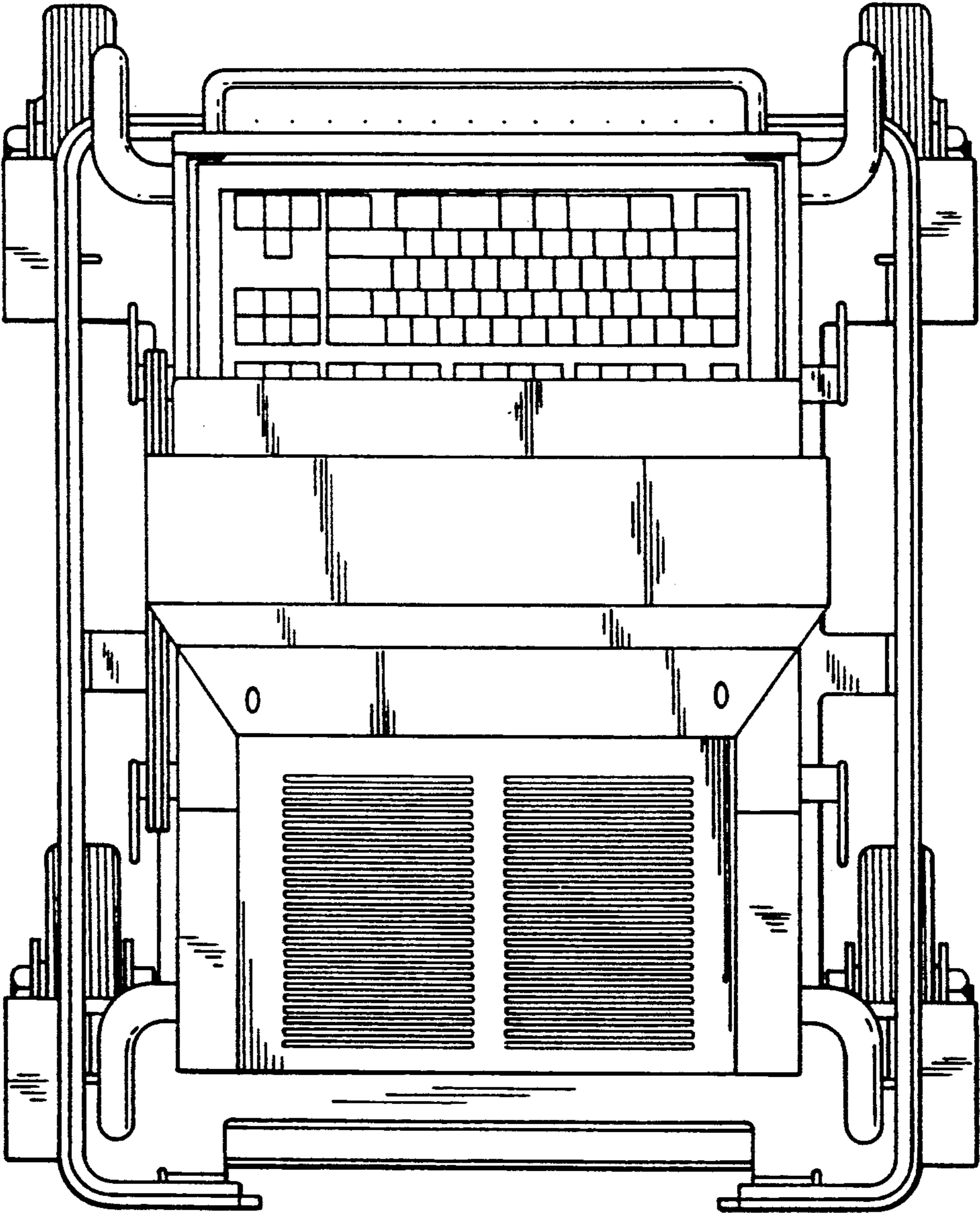


FIG. 7

