



US00D329386S

United States Patent [19]

[11] Patent Number: **Des. 329,386**

Burgener

[45] Date of Patent: **** Sep. 15, 1992**

[54] **WATCH CASE**

[75] Inventor: **Eddy Burgener, Moutier, Switzerland**

[73] Assignee: **Roventa Henex SA, Bienne, Switzerland**

[**] Term: **14 Years**

[21] Appl. No.: **420,129**

[22] Filed: **Oct. 10, 1989**

[30] **Foreign Application Priority Data**

Apr. 12, 1989 [WO] World Int. Prop.
O. DMA/000981

[52] U.S. Cl. **D10/30; D10/38**

[58] Field of Search **D10/1-45, D10/122-132; 368/276-277, 280-282, 285**

[56] **References Cited**

U.S. PATENT DOCUMENTS

- D. 290,585 6/1987 Chodat D10/30
- D. 315,516 3/1991 Beeson D10/32
- D. 323,122 1/1992 Severin D10/32

FOREIGN PATENT DOCUMENTS

2533716 3/1984 France 368/282

OTHER PUBLICATIONS

European Jeweler (U.Z.)—Sep. 1986, p. 123—Watches at center.

European Jeweler (U.Z.)—Nov. 1986—p. 89—Watch at top-left.

Swiss Watch & Jewelry Journal—Mar. 1988, p. 295—Watch at bottom-right.

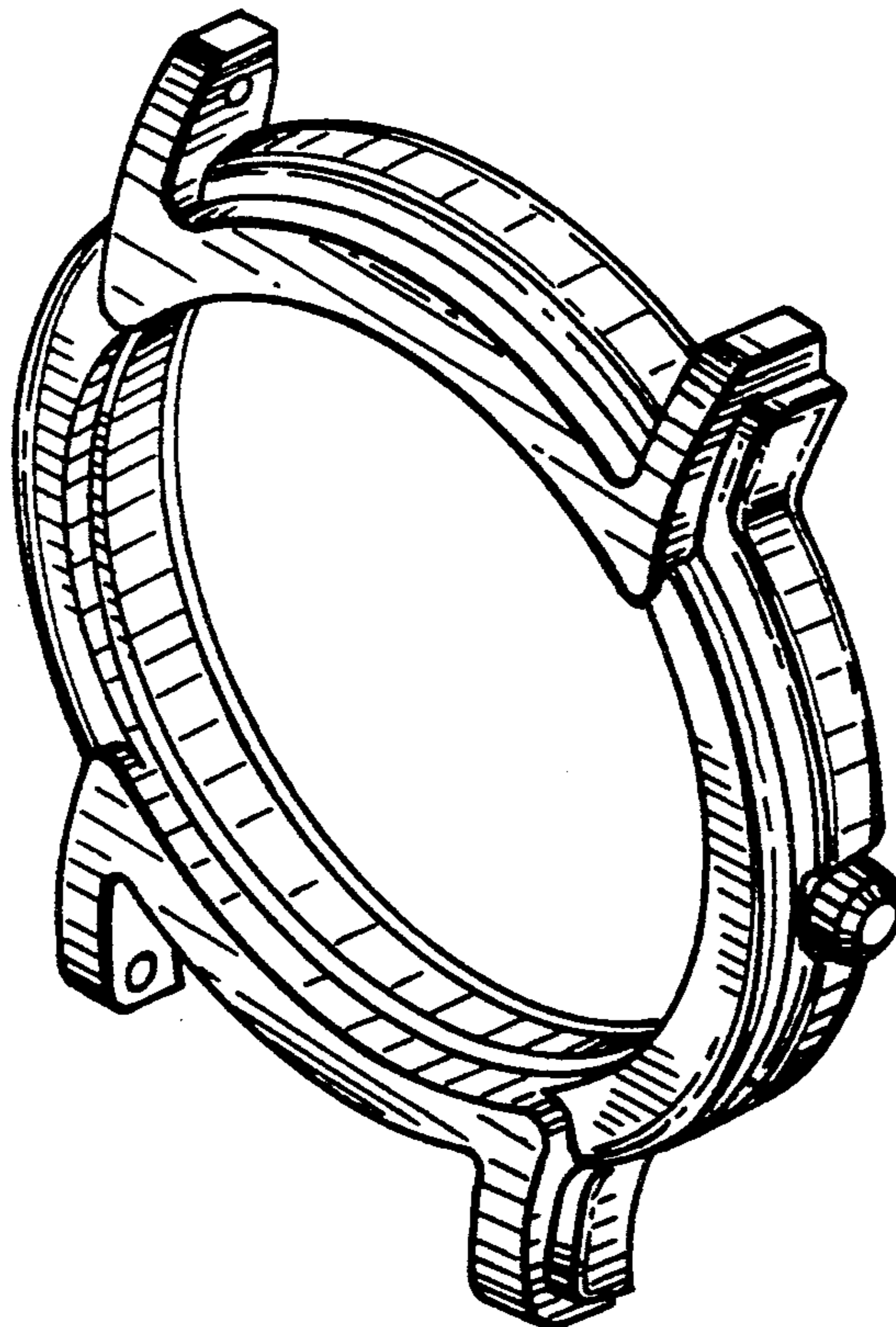
Primary Examiner—Nelson C. Holtje
Attorney, Agent, or Firm—Bacon & Thomas

[57] **CLAIM**

The ornamental design for a watch case, as shown.

DESCRIPTION

FIG. 1 is a front and top right perspective view of a watch case showing my new design;
 FIG. 2 is a front elevational view thereof;
 FIG. 3 is a rear elevational view thereof;
 FIG. 4 is a right side elevational view thereof;
 FIG. 5 is a left side elevational view thereof;
 FIG. 6 is a bottom plan view thereof; and,
 FIG. 7 is a top plan view thereof.



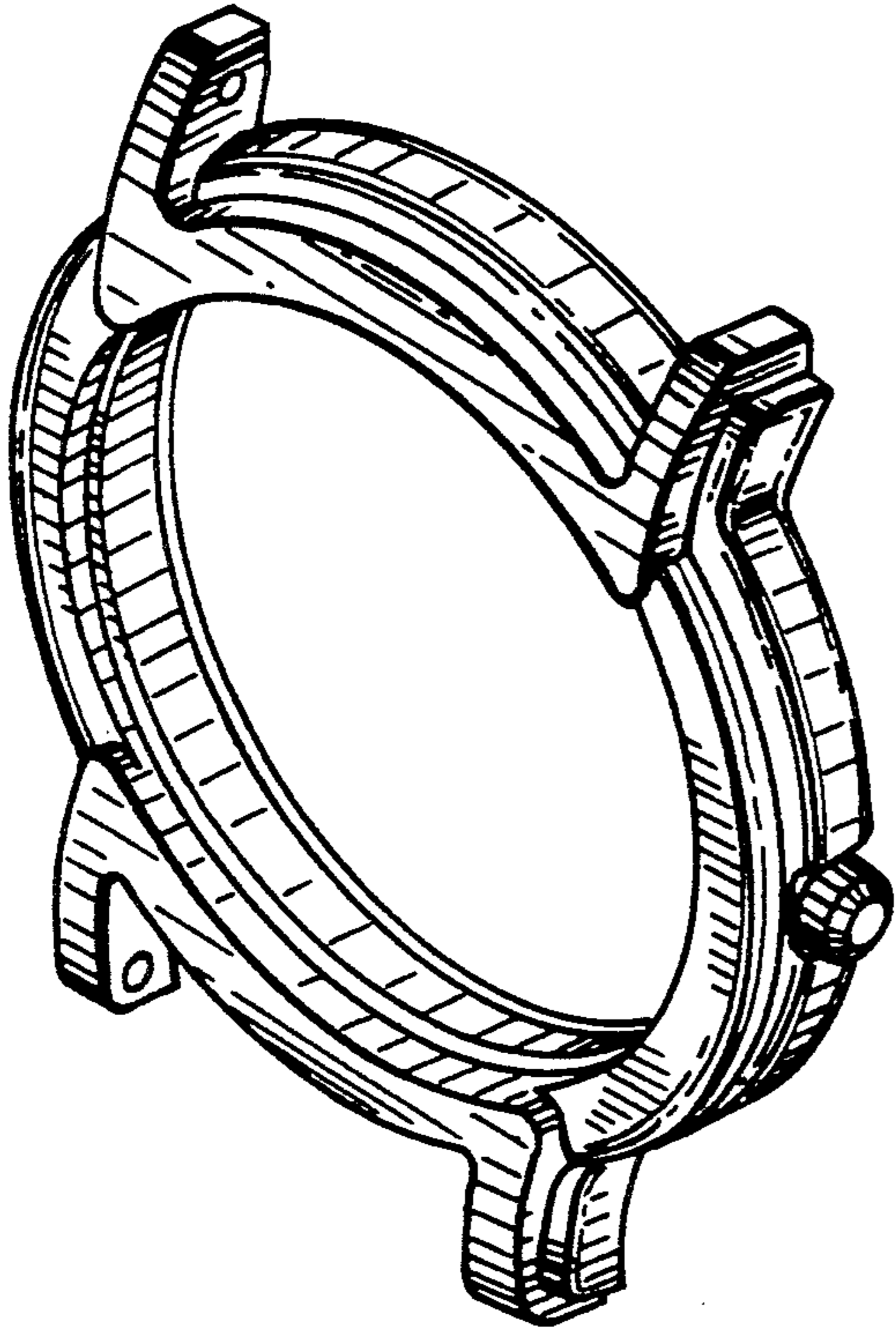


FIG. 1

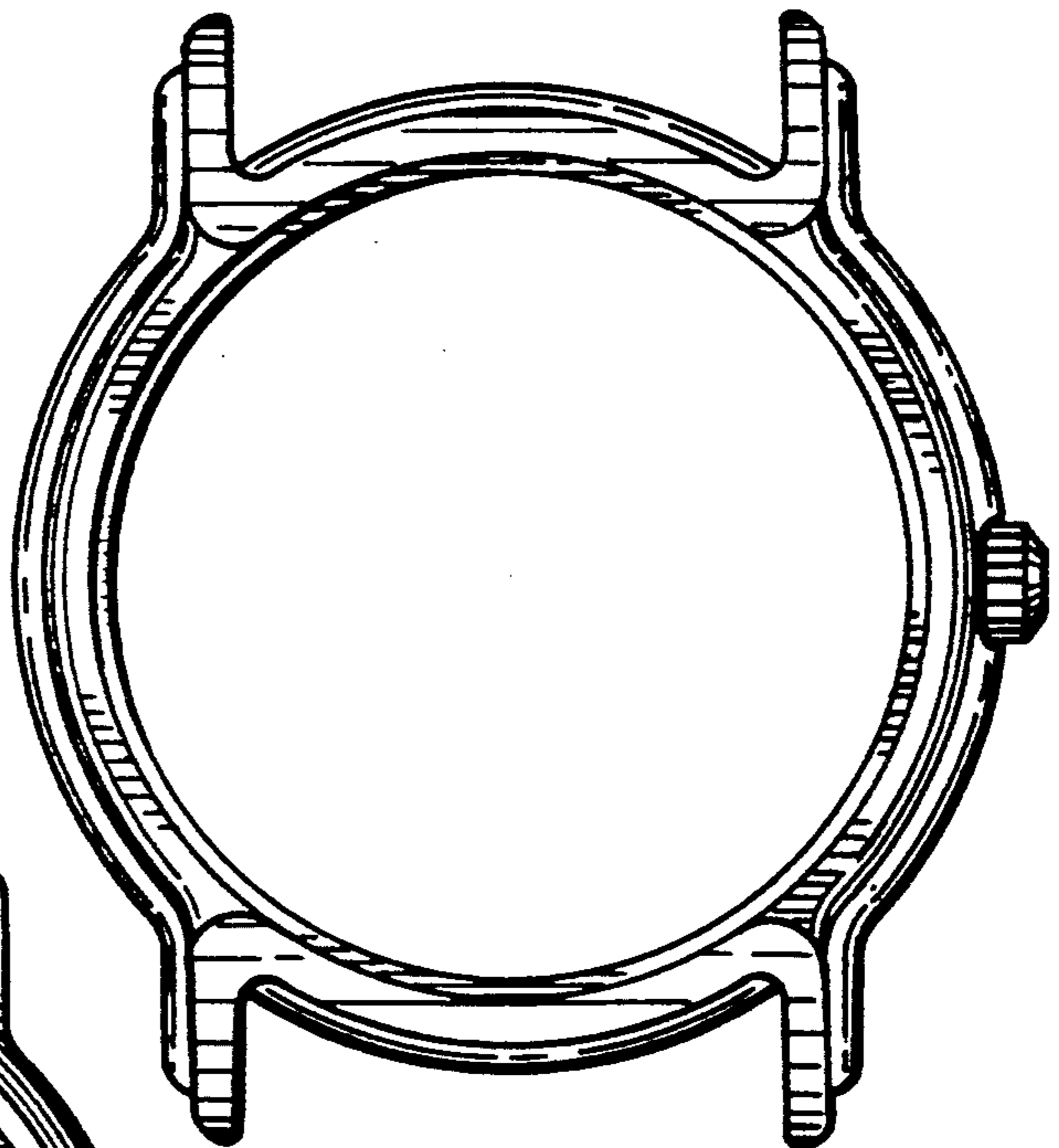


FIG. 2

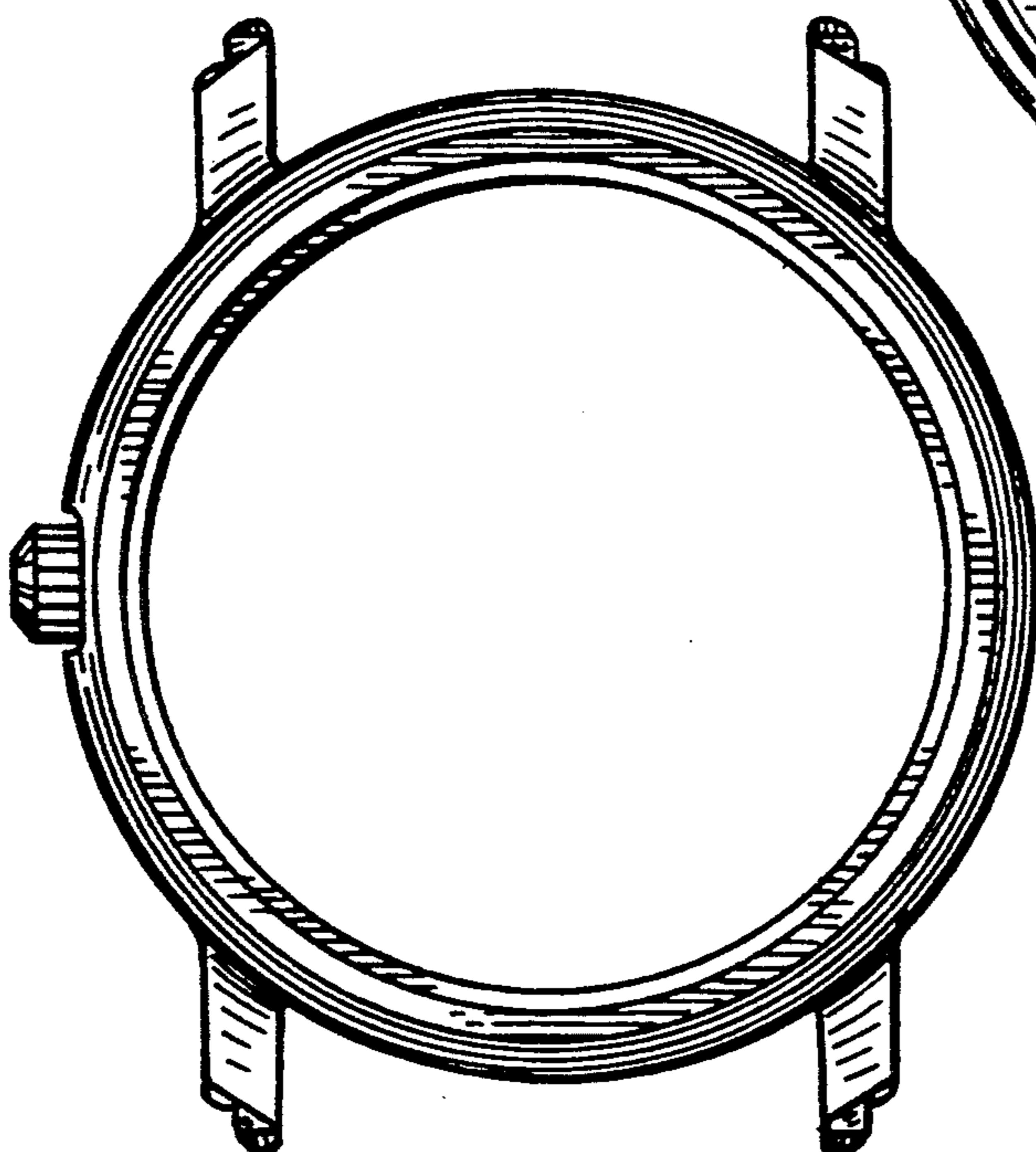


FIG. 3

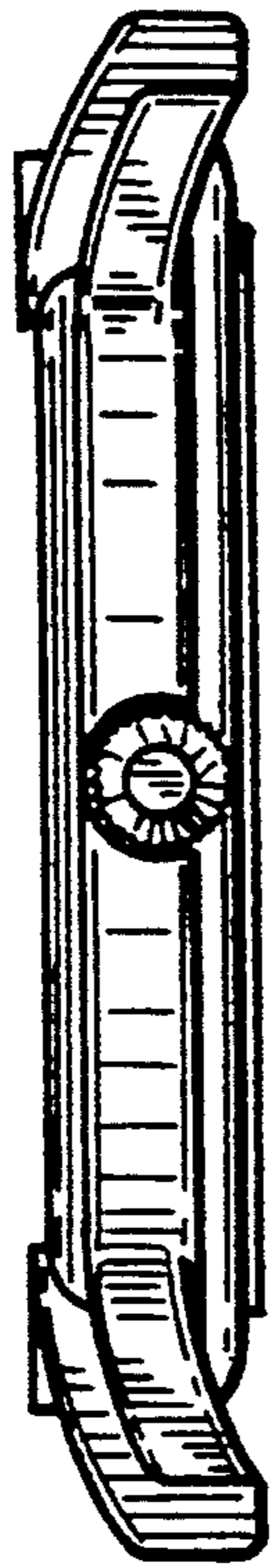


FIG. 4

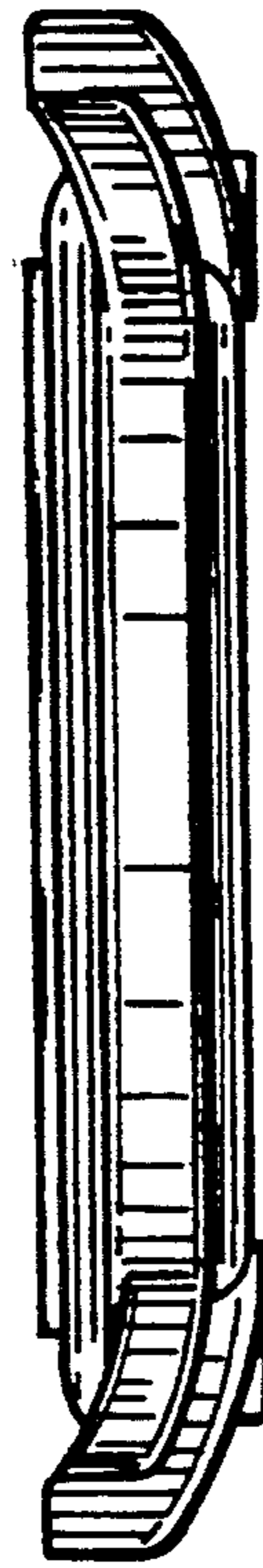


FIG. 5

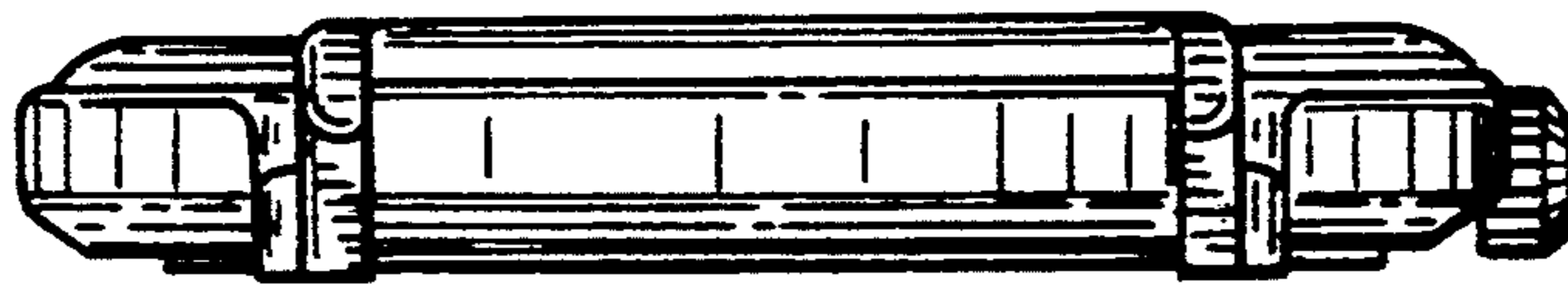


FIG. 6

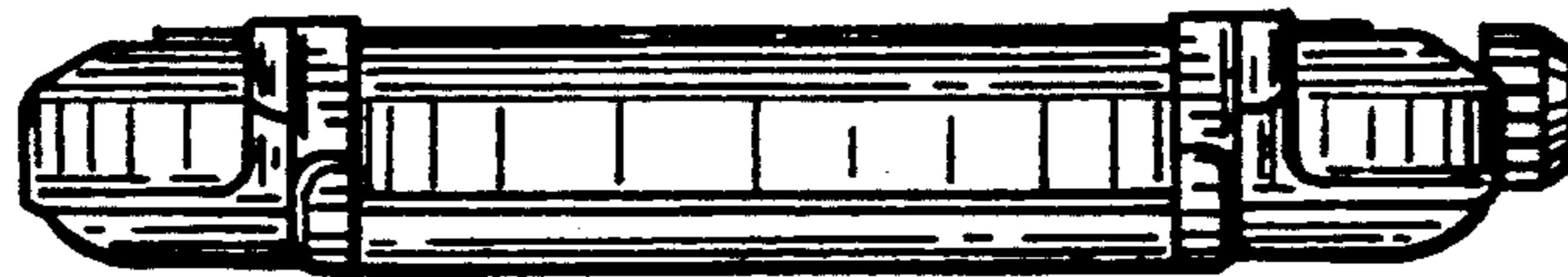


FIG. 7