



US00D329377S

United States Patent [19]

[11] Patent Number: **Des. 329,377**

Cortelli et al.

[45] Date of Patent: **** Sep. 15, 1992**

[54] BALL PACKAGE

[75] Inventors: **David Cortelli**, Suffield, Conn.; **Frank Carter**, Wilbraham; **Kenneth W. Pratt**, Ware, both of Mass.

[73] Assignee: **Seneca Sports Inc.**, Milford, Mass.

[**] Term: **14 Years**

[21] Appl. No.: **615,648**

[22] Filed: **Nov. 19, 1990**

[52] U.S. Cl. **D9/418**

[58] Field of Search D3/78; D9/415, 418, D9/337; D34/3; 206/315.91, 315.9, 579, 45.31, 45.19, 508, 45.34, 457, 463, 470, 471; 220/339, 306, DIG. 13

3,937,389	2/1976	Wind	220/339	X
3,987,893	10/1976	Hanson	206/45.31	X
4,011,942	3/1977	Crosslen	206/45.34	X
4,848,577	7/1989	Hoffman et al.	206/45.34	X
5,046,659	9/1991	Warburton	220/339	X

Primary Examiner—A. Hugo Word
Assistant Examiner—Paula A. Mortimer
Attorney, Agent, or Firm—Fish & Richardson

[57] CLAIM

The ornamental design for a ball package, as shown and described.

DESCRIPTION

FIG. 1 is a front perspective view of a ball package showing my new design, the broken line showing of the ball is for illustrative purposes only and forms no part of the claimed design;

FIG. 2 is a front elevational view thereof;

FIG. 3 is a rear elevational view thereof;

FIG. 4 is a side elevational view, the opposite side is a mirror image thereof;

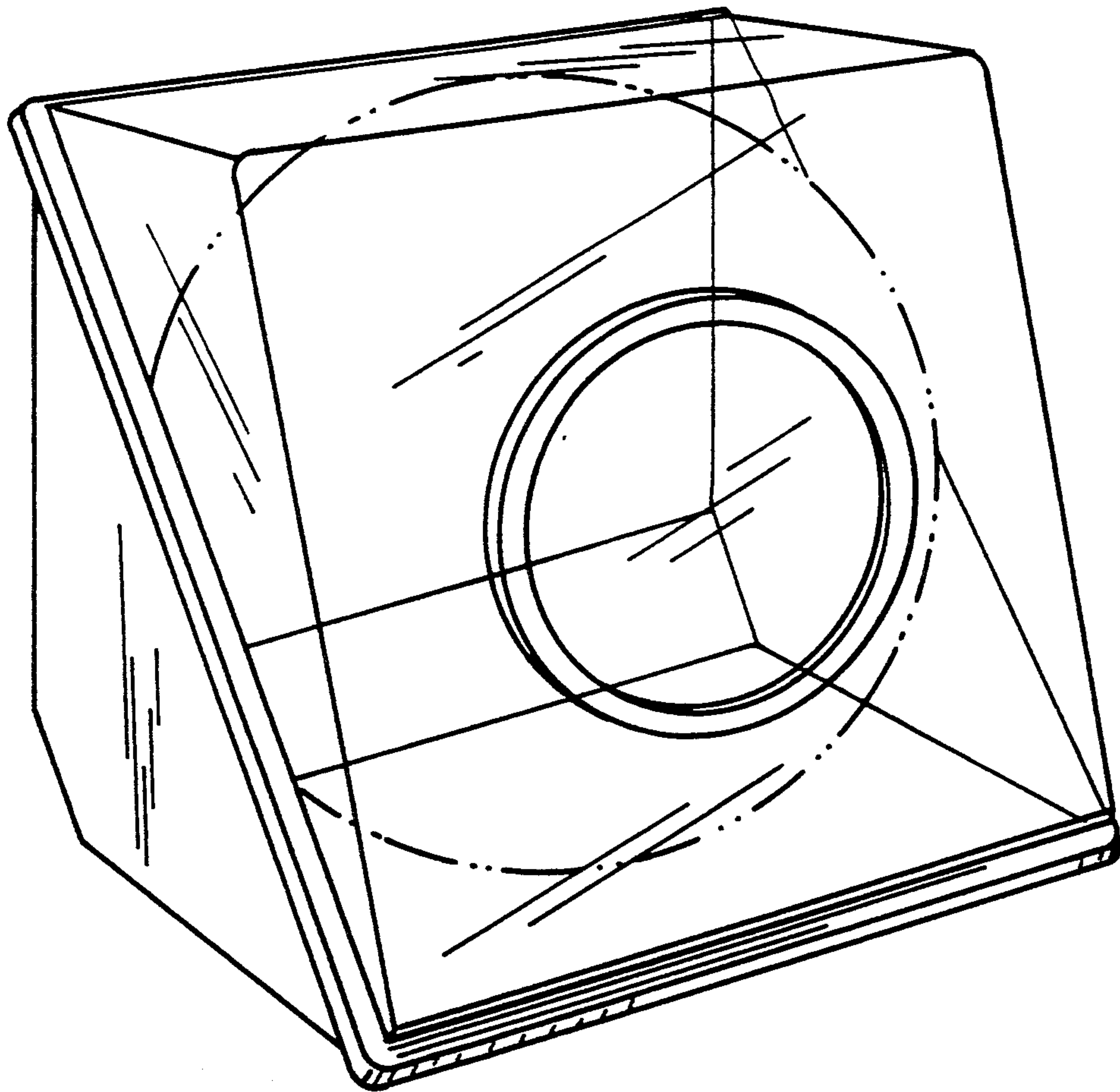
FIG. 5 is a top plan view thereof; and,

FIG. 6 is a bottom plan view thereof.

[56] References Cited

U.S. PATENT DOCUMENTS

D. 209,867	1/1968	Sigoloff	D9/418
3,220,520	11/1965	Glantz et al.	206/315.9
3,429,427	2/1969	Wolf	206/45.34 X
3,504,787	4/1970	Brockway	D9/415 X
3,695,452	10/1972	Surman	206/45.34



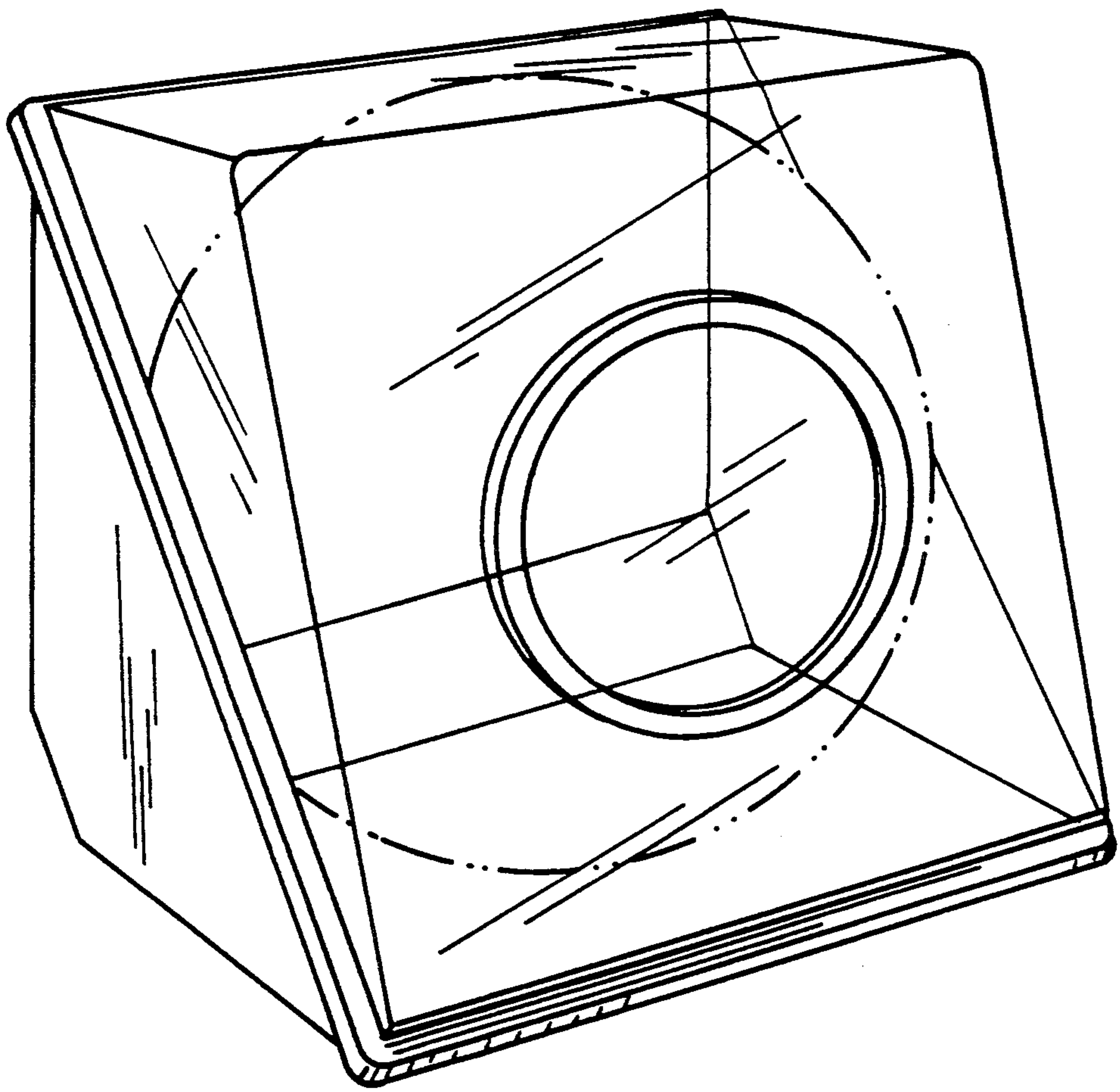


FIG.1

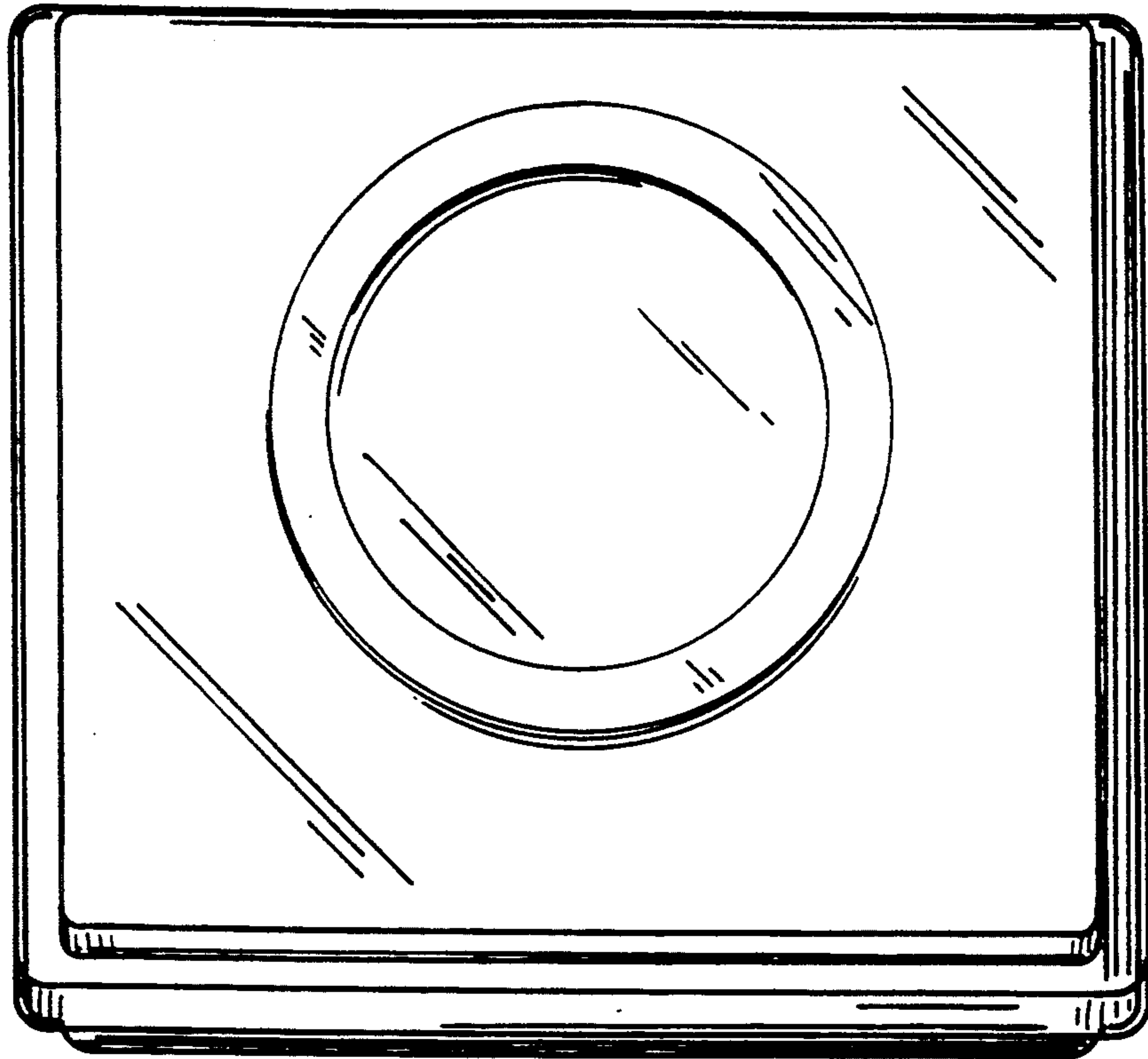


FIG. 2

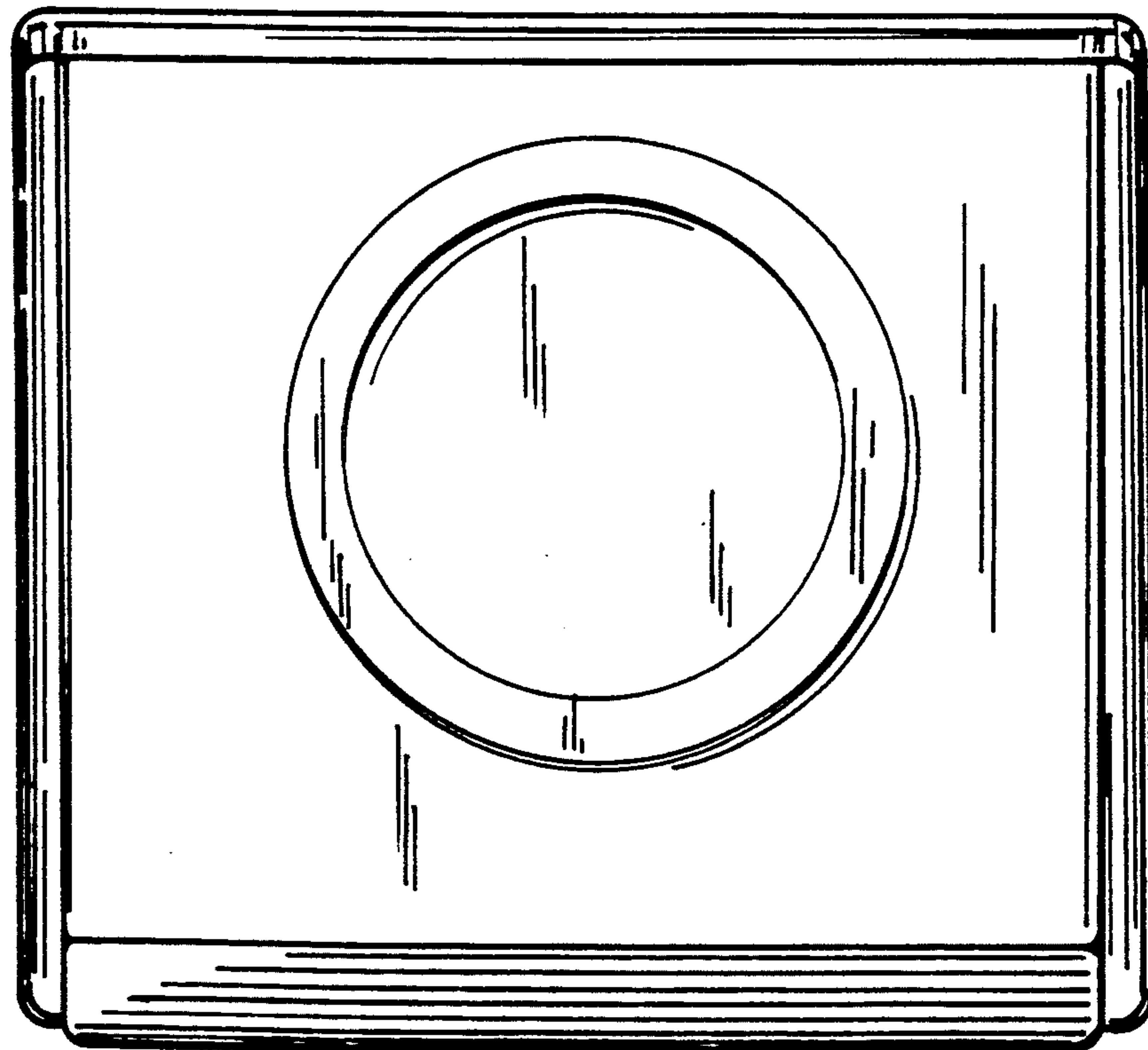


FIG. 3

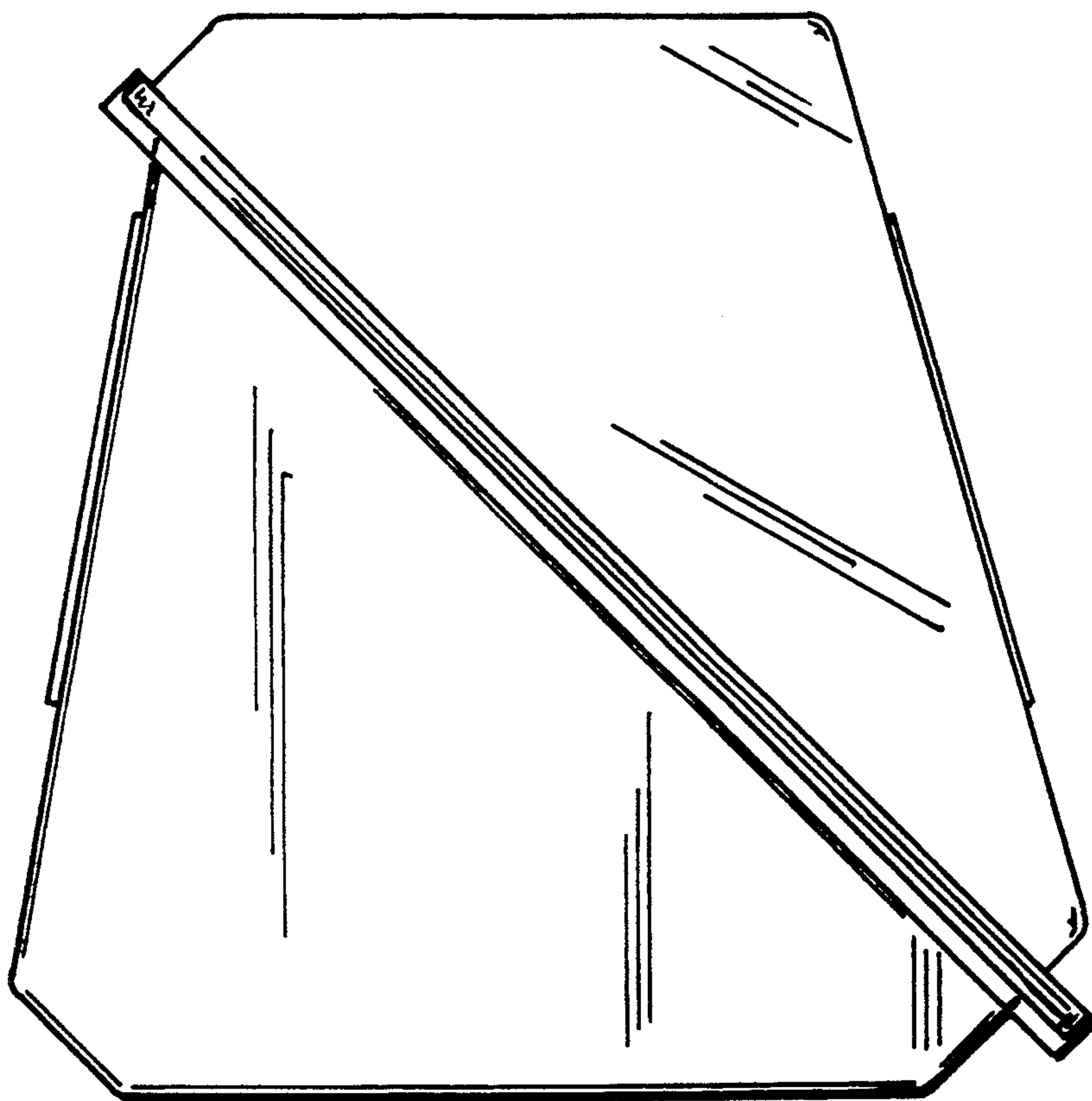


FIG.4

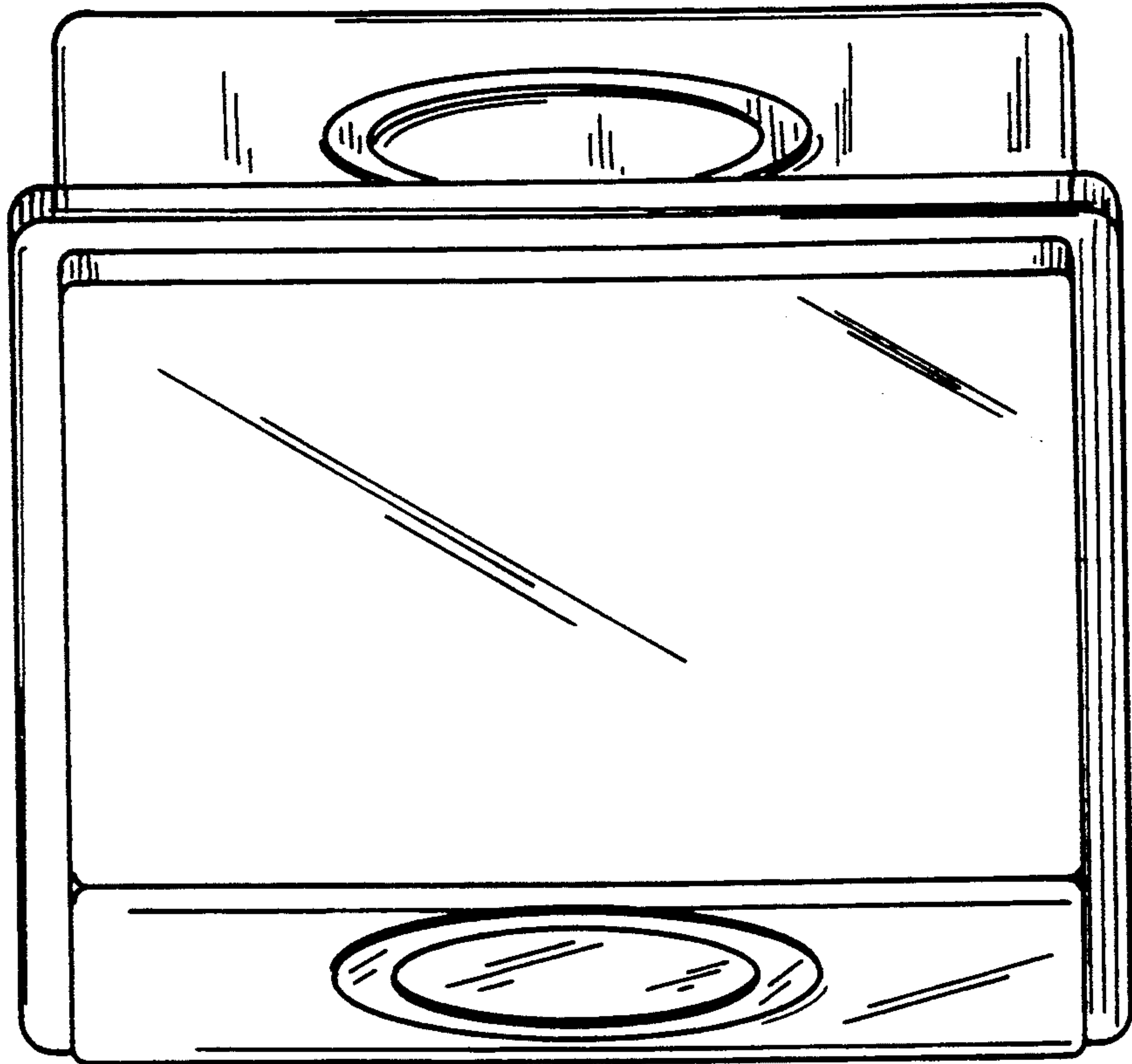


FIG. 5

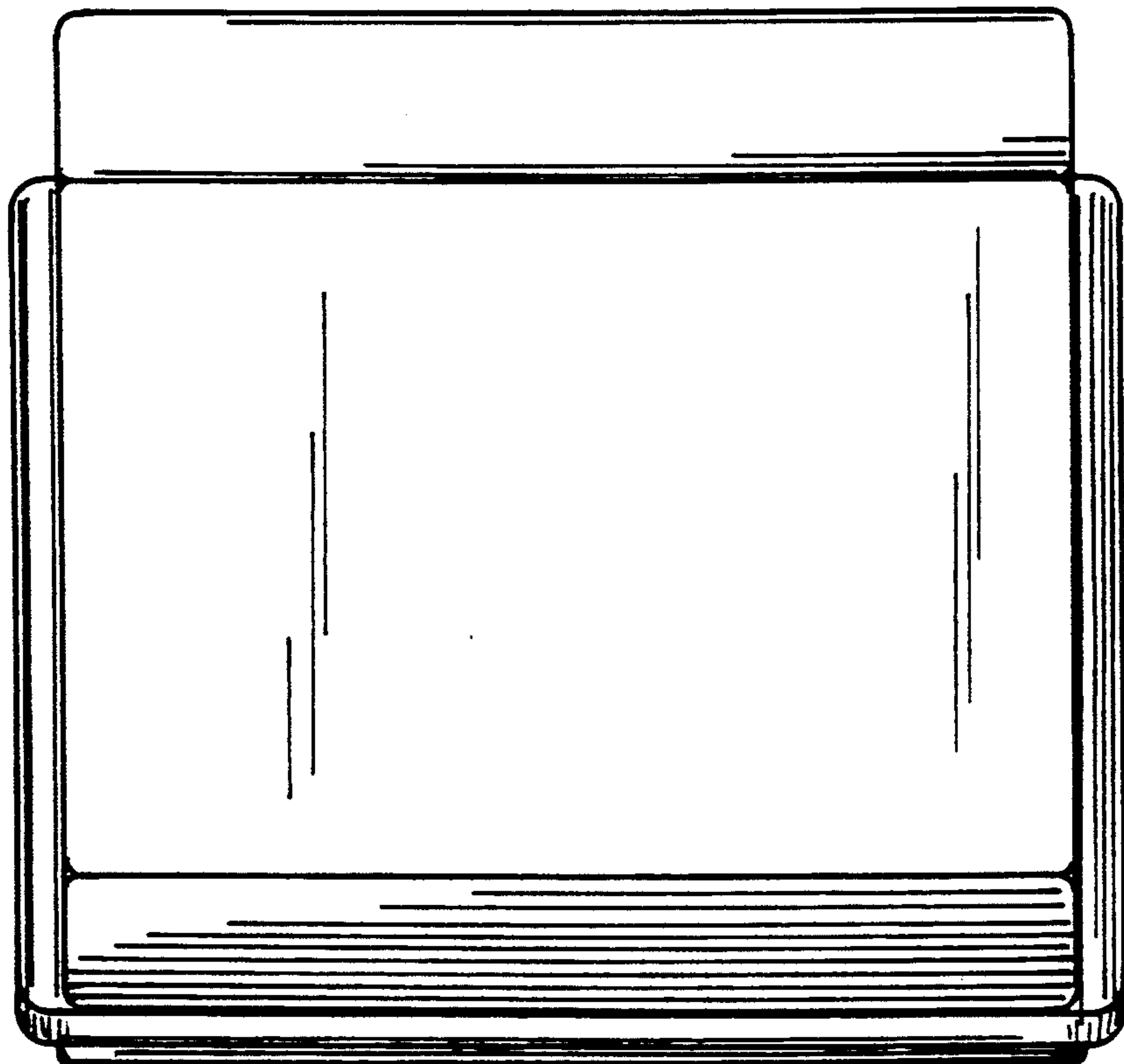


FIG. 6