



US00D329368S

United States Patent [19]

[11] Patent Number: **Des. 329,368**

Desrochers

[45] Date of Patent: **** Sep. 15, 1992**

[54] **LETTER-OPENER**

[76] Inventor: **Sylvain Desrochers**, 1000 Marlboro, Apt. 209, Mont Royal, Quebec, Canada, H4P 1C1

2,610,399	9/1952	Adams	30/294
3,009,248	11/1961	Tilly	D8/102
3,028,670	4/1962	Tilly	D8/102
3,290,780	12/1966	Oehlert	30/DIG. 3

[**] Term: **14 Years**

[21] Appl. No.: **628,673**

[22] Filed: **Dec. 17, 1990**

[30] **Foreign Application Priority Data**

May 11, 1990 [CA] Canada 05-11-90-2

[52] U.S. Cl. **D8/102**

[58] Field of Search D8/102, 103, 104, 98; D10/71; D20/10, 39, 40, 41; D22/118; 30/DIG. 3, 294; 33/483, 485

[56] **References Cited**

U.S. PATENT DOCUMENTS

40,163	10/1863	Fitch	30/294
D. 175,170	7/1955	Johnson	D8/102
D. 240,190	6/1976	Cleveland	D8/103
D. 256,883	9/1980	Wharmby	D8/102
D. 306,394	3/1990	Koenig	D8/102
1,553,449	9/1925	Kennedy	30/294
2,439,639	4/1948	Tilly	30/294
2,535,555	12/1950	Tilly	30/DIG. 3
2,599,439	6/1952	Drake	30/294

OTHER PUBLICATIONS

Copy of products available in the market in the Montreal's area, item Nos. 1, 2 and 3, before Dec. 17, 1990.

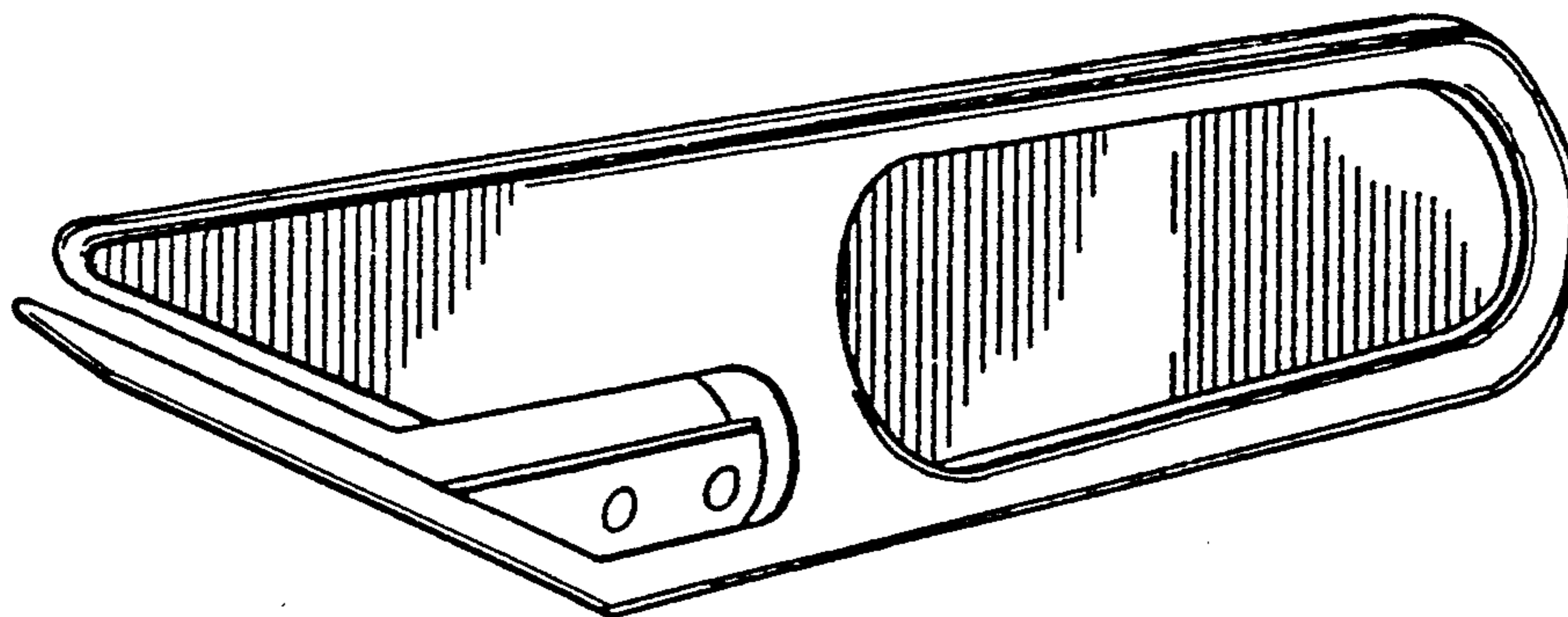
Primary Examiner—Bernard Ansher
Assistant Examiner—R. Barkai
Attorney, Agent, or Firm—Robic

[57] **CLAIM**

The ornamental design for a letter-opener, as shown and described.

DESCRIPTION

FIG. 1 is a perspective view of a letter-opener showing my new design;
FIG. 2 is a side elevational view thereof, the other side being a mirror copy of this side;
FIG. 3 is a top plan view thereof;
FIG. 4 is a bottom plan view thereof;
FIG. 5 is a rear elevational view thereof;
FIG. 6 is a cross-sectional view thereof according to line VI—VI of FIG. 2; and,
FIG. 7 is a cross-sectional view thereof according to line VII—VII of FIG. 2.



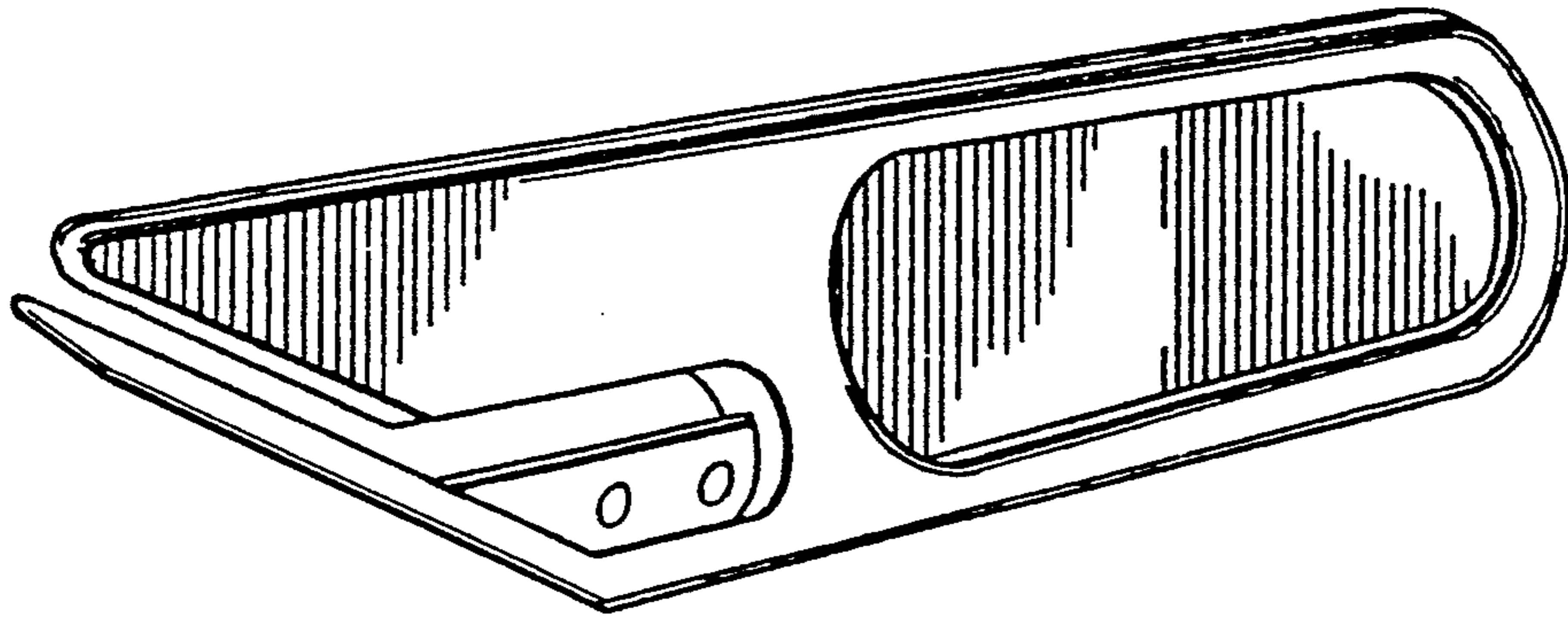


FIG. 1

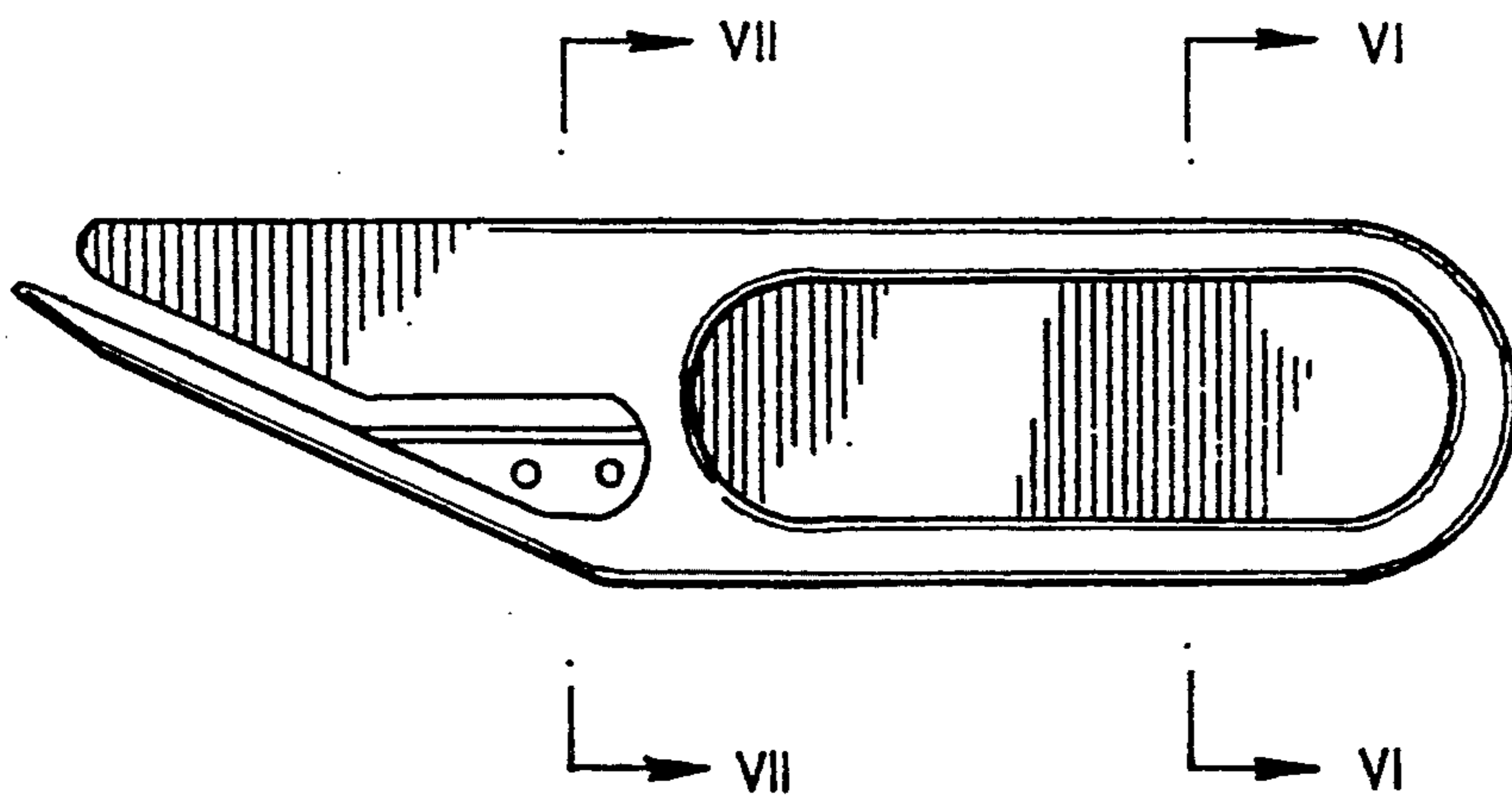


FIG. 2



FIG. 3

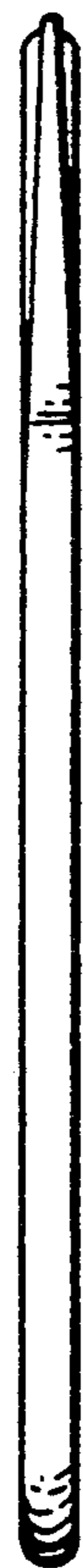


FIG. 4



FIG. 5



FIG. 6



FIG. 7