



US00D329365S

United States Patent [19]

Fortune et al.

[11] Patent Number: **Des. 329,365**

[45] Date of Patent: **** Sep. 15, 1992**

[54] **SOLDERING TIP REMOVING TOOL OR THE LIKE**

[76] Inventors: **William S. Fortune**, 29866 Cuthbert Rd., Malibu, Calif. 90265; **Robert E. Dallons**, 6625 Tamarind, Agoura, Calif. 91301

[**] Term: **14 Years**

[21] Appl. No.: **485,079**

[22] Filed: **Feb. 26, 1990**

[52] U.S. Cl. **D8/71; D8/30**

[58] Field of Search **D8/30, 71; 228/51, 52, 228/53, 54, 55; 219/242, 240, 229**

[56] **References Cited**

U.S. PATENT DOCUMENTS

D. 272,309	1/1984	Walser	D8/30
D. 283,045	3/1986	Lynn	D8/30
D. 290,927	7/1987	Pagani	D8/30

3,609,791	10/1971	Siegel et al.	228/57
4,176,778	12/1979	Fortune	219/242

Primary Examiner—Donald P. Walsh
Assistant Examiner—J. H. Musgrove
Attorney, Agent, or Firm—Daniel T. Anderson

[57] **CLAIM**

The ornamental design for soldering tip removing tool or the like, as shown.

DESCRIPTION

FIG. 1 is a top, front and left side perspective view of a soldering tip removing tool or the like showing my new design;

FIG. 2 is a front elevational view;

FIG. 3 is a rear elevational view;

FIG. 4 is a right side elevational view;

FIG. 5 is a left side elevational view;

FIG. 6 is a top plan view; and,

FIG. 7 is a bottom view thereof.

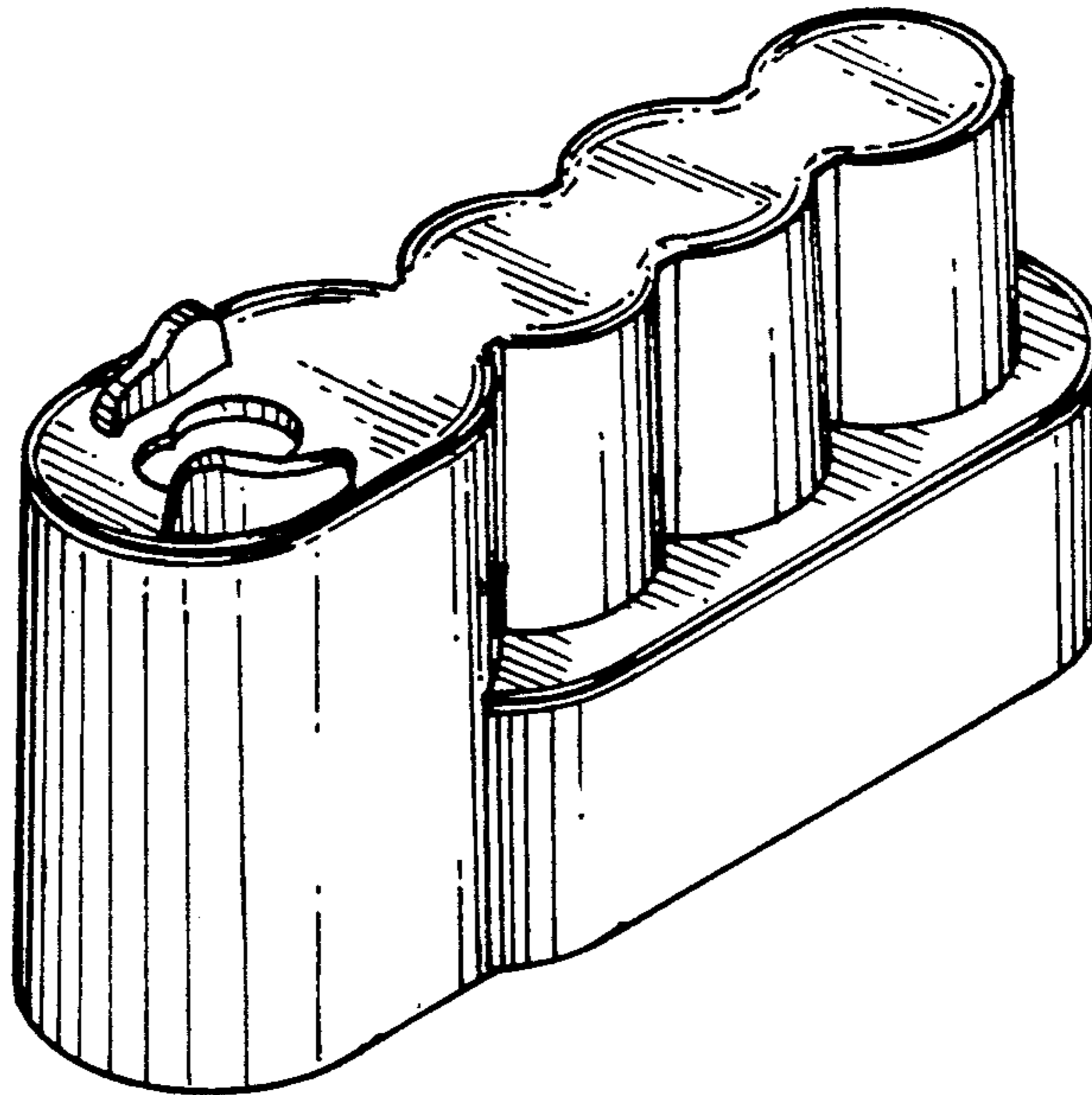


Fig. 1

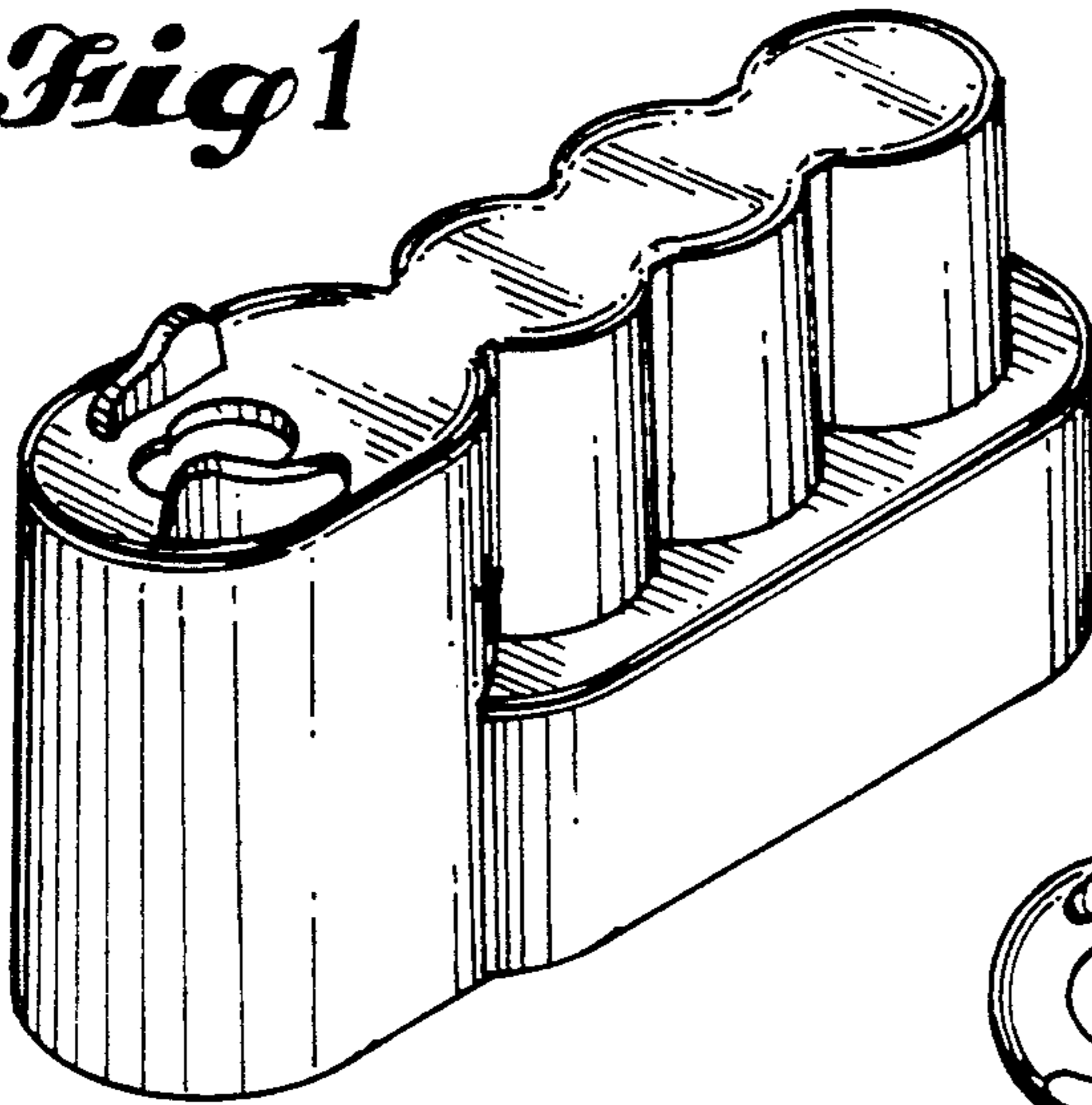


Fig. 6

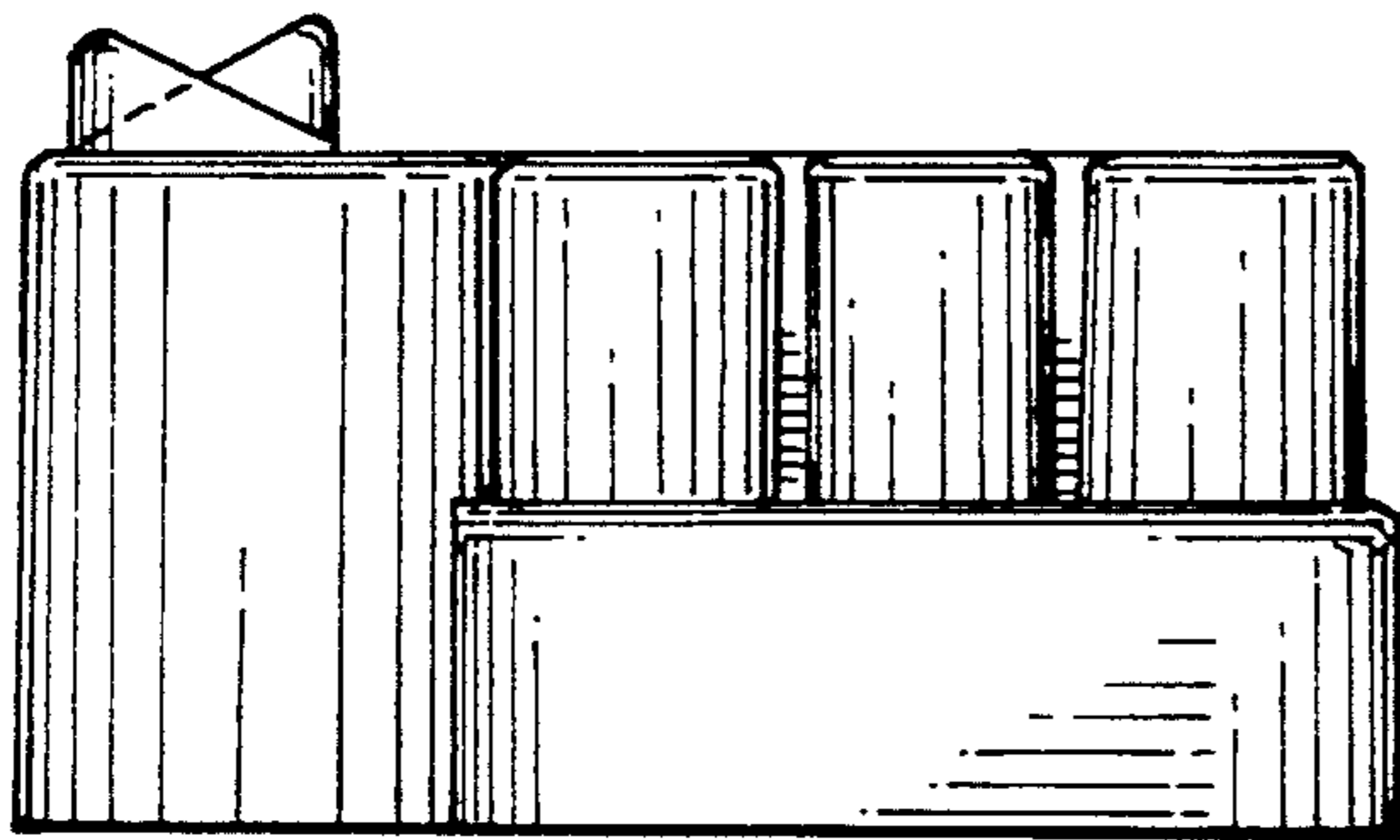
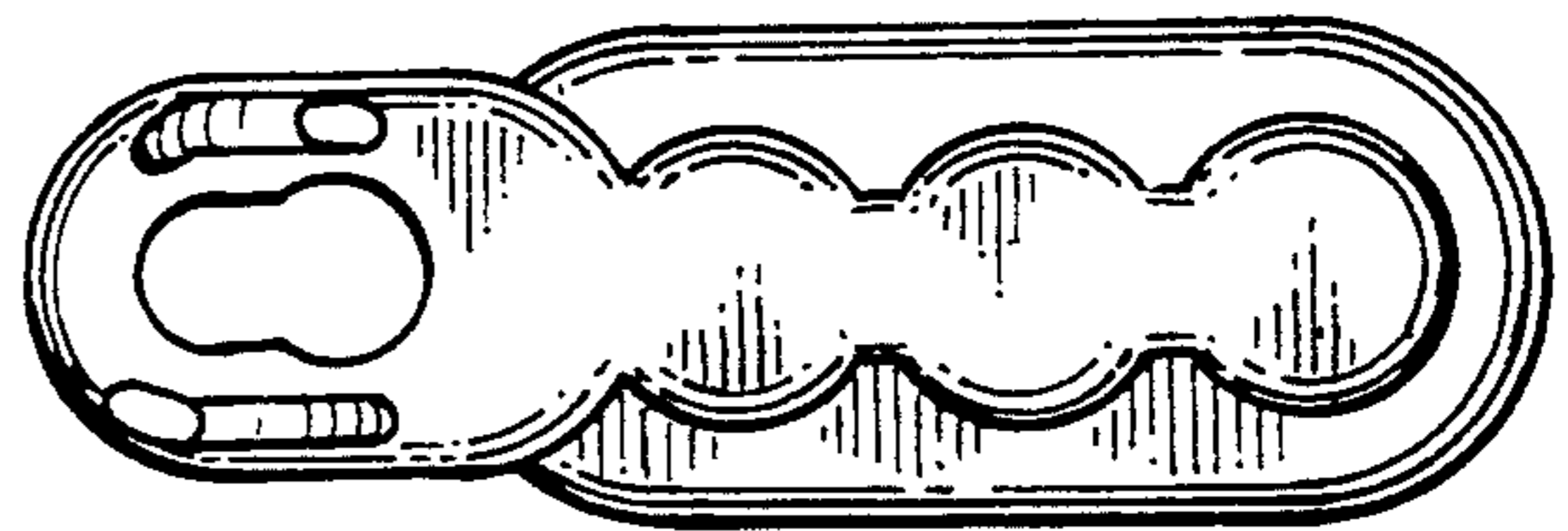


Fig. 2

Fig. 3

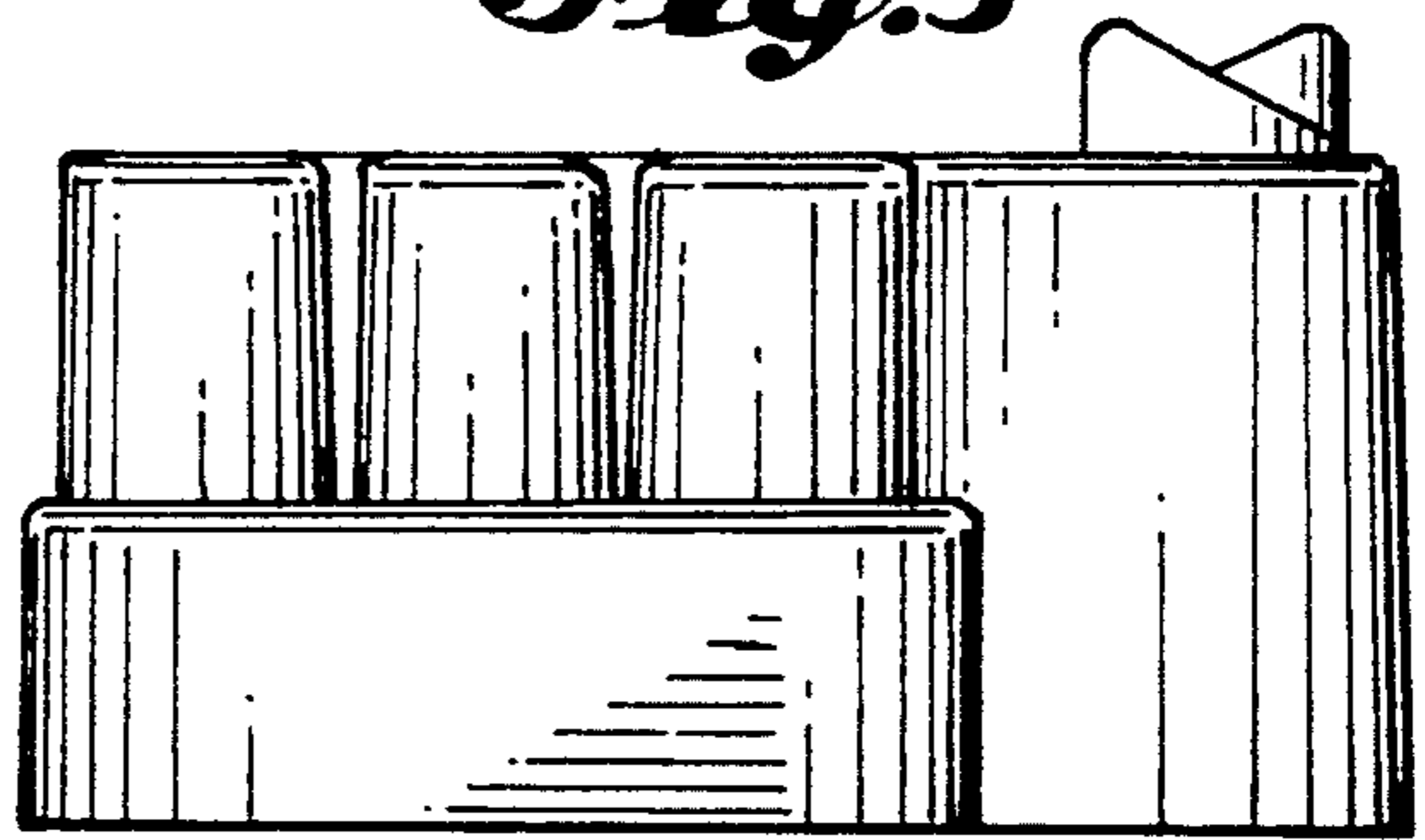


Fig. 4

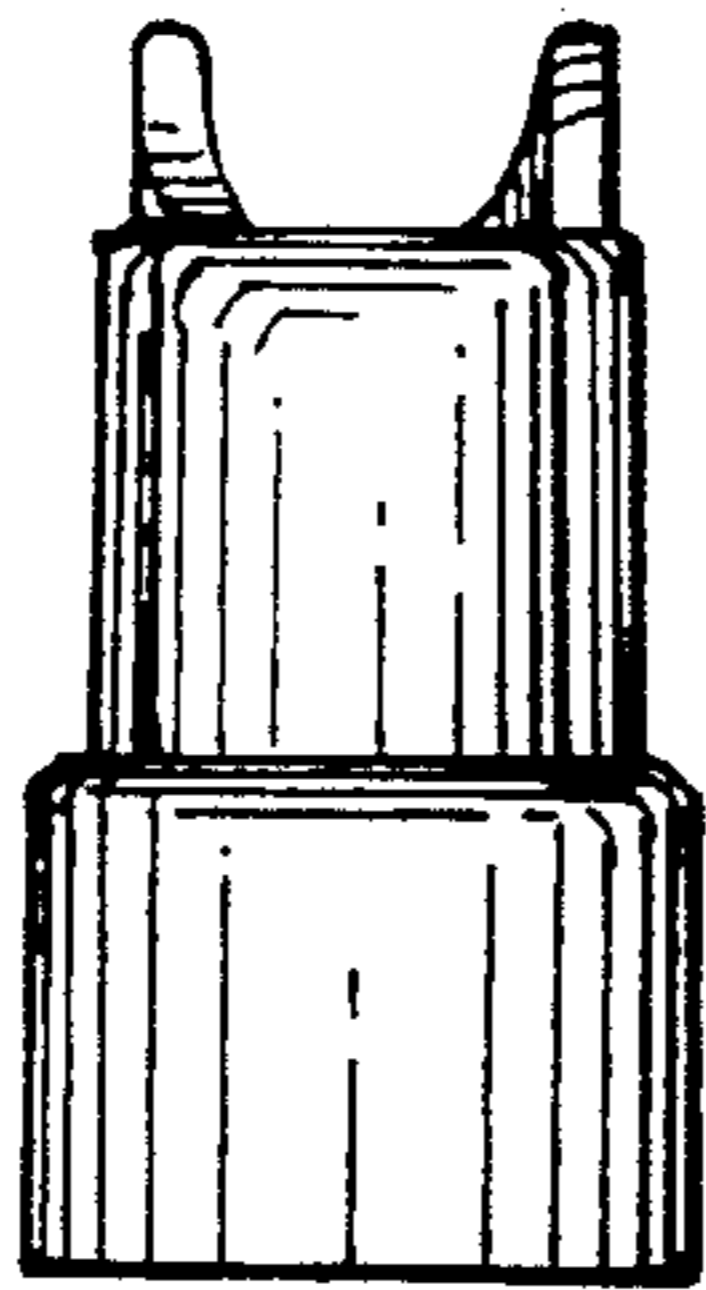


Fig. 7

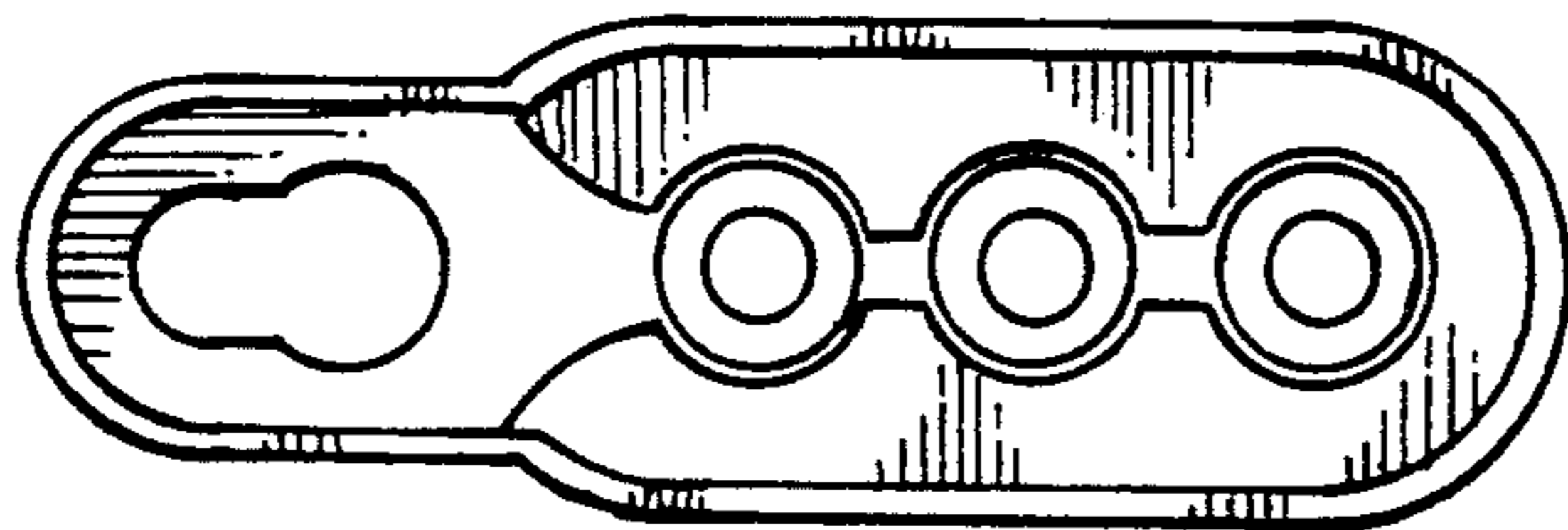


Fig. 5

