



US00D329363S

# United States Patent [19]

[11] Patent Number: **Des. 329,363**

Sasaki et al.

[45] Date of Patent: **\*\* Sep. 15, 1992**

[54] **PORTABLE CIRCULAR SAW**

[75] Inventors: **Yuichiro Sasaki; Hiroshi Sato**, both of Katsuta, Japan

[73] Assignee: **Hitachi Koki Company, Limited**, Tokyo, Japan

[\*\*] Term: **14 Years**

[21] Appl. No.: **510,917**

[22] Filed: **Apr. 18, 1990**

D. 259,235 5/1981 Dibbern, Jr. et al. .... D8/66  
 D. 313,155 12/1990 Somers ..... D8/66  
 D. 320,729 10/1991 Zurwelle ..... D8/66  
 D. 324,055 2/1992 Sakai et al. .... D15/133

*Primary Examiner*—Donald P. Walsh  
*Assistant Examiner*—J. H. Musgrove  
*Attorney, Agent, or Firm*—Lowe, Price, LeBlanc & Becker

### [30] Foreign Application Priority Data

Oct. 20, 1989 [JP] Japan ..... 1-38441

[52] U.S. Cl. .... **D8/66**

[58] Field of Search ..... D8/61, 66, 69; 30/390, 30/391; 83/471.1, 471.2, 471.3; D15/133

### [56] References Cited

#### U.S. PATENT DOCUMENTS

D. 177,767 5/1956 Seeger ..... D8/66

### [57] CLAIM

The ornamental design for a portable circular saw, as shown.

### DESCRIPTION

FIG. 1 is a top, front and left side perspective view of a portable circular saw showing our new design;  
 FIG. 2 is a left side elevational view thereof;  
 FIG. 3 is a top plan view thereof;  
 FIG. 4 is a front elevational view thereof;  
 FIG. 5 is a rear elevational view thereof;  
 FIG. 6 is a right side elevational view thereof; and,  
 FIG. 7 is a bottom plan view thereof.

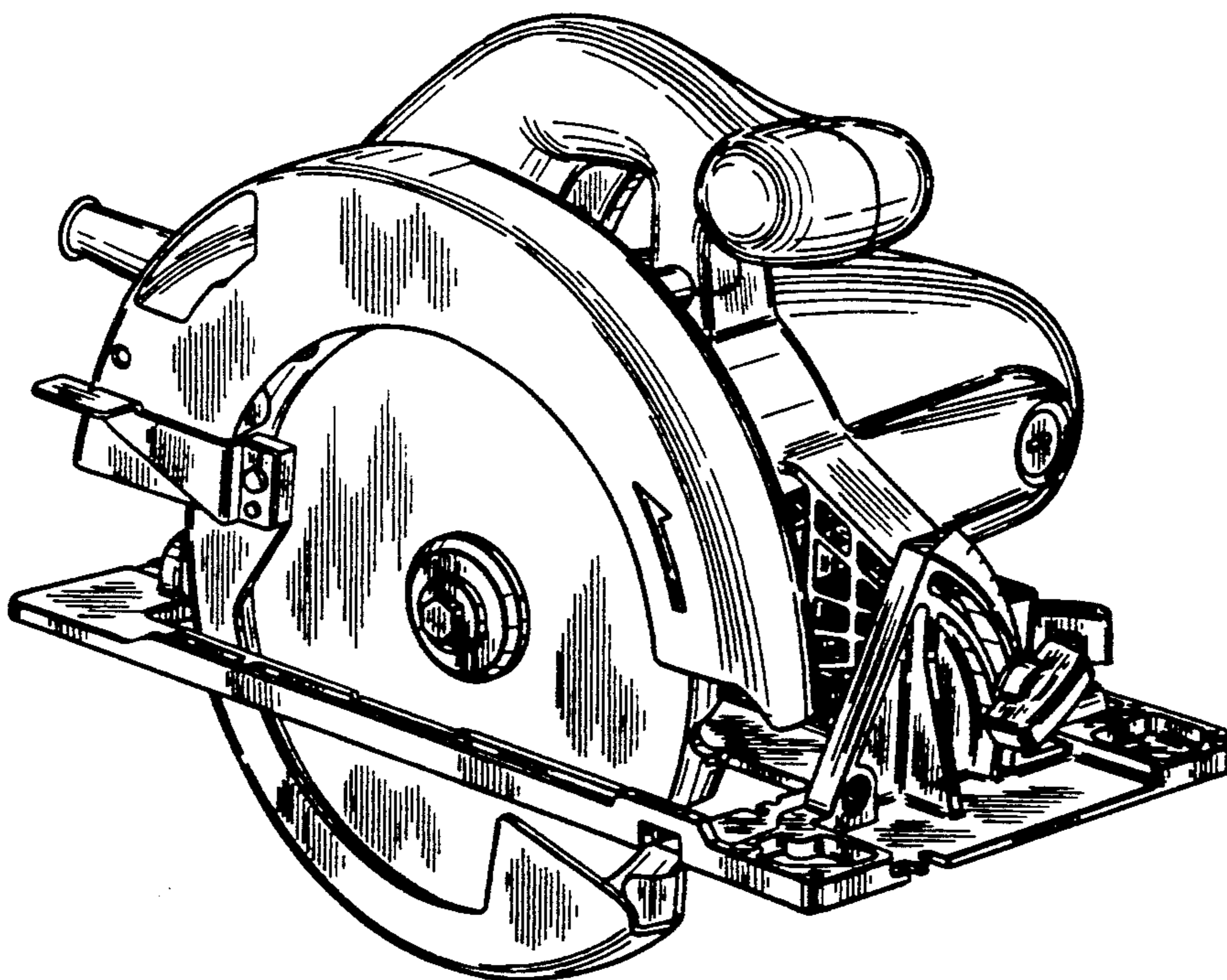


FIG. 1

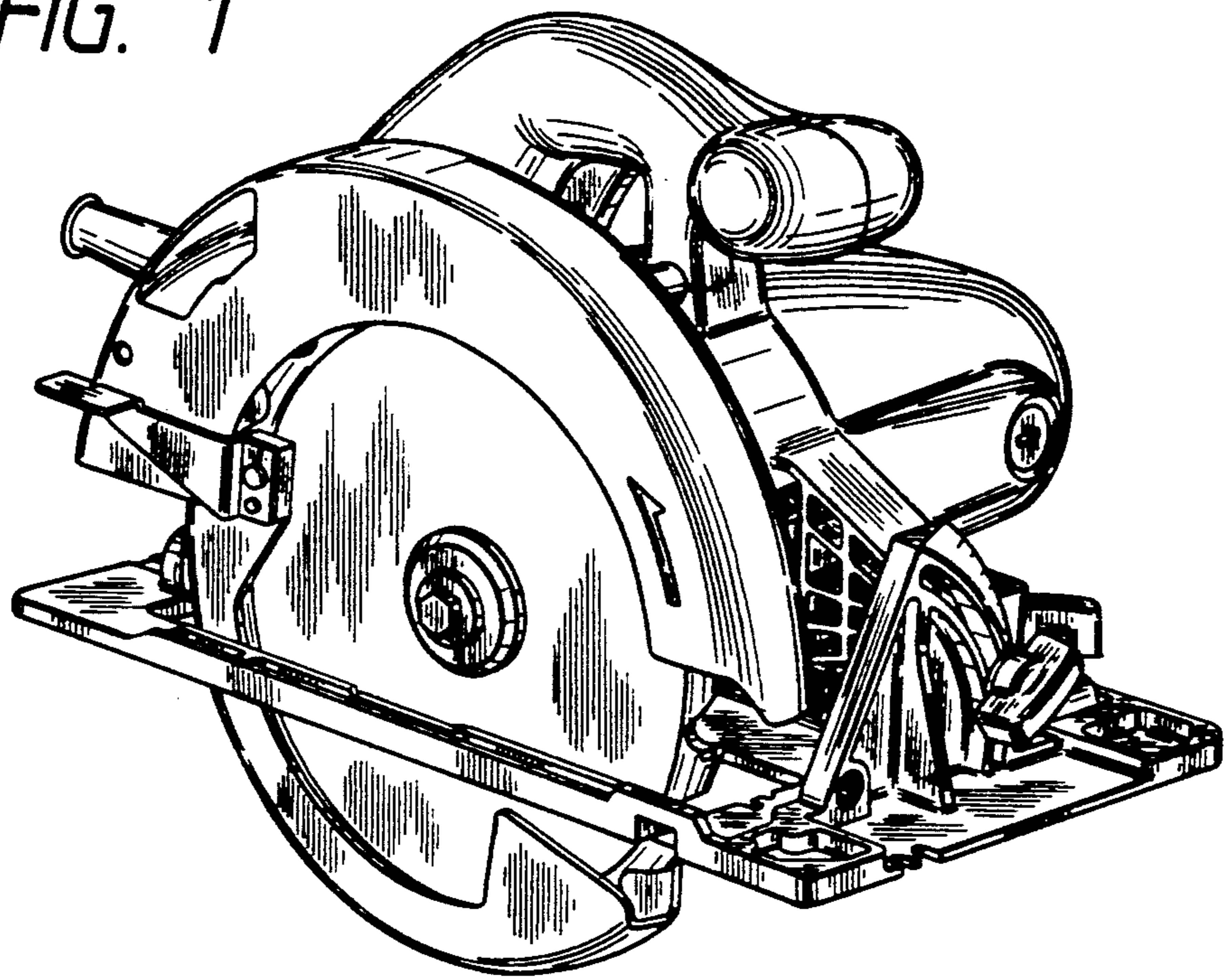


FIG. 2

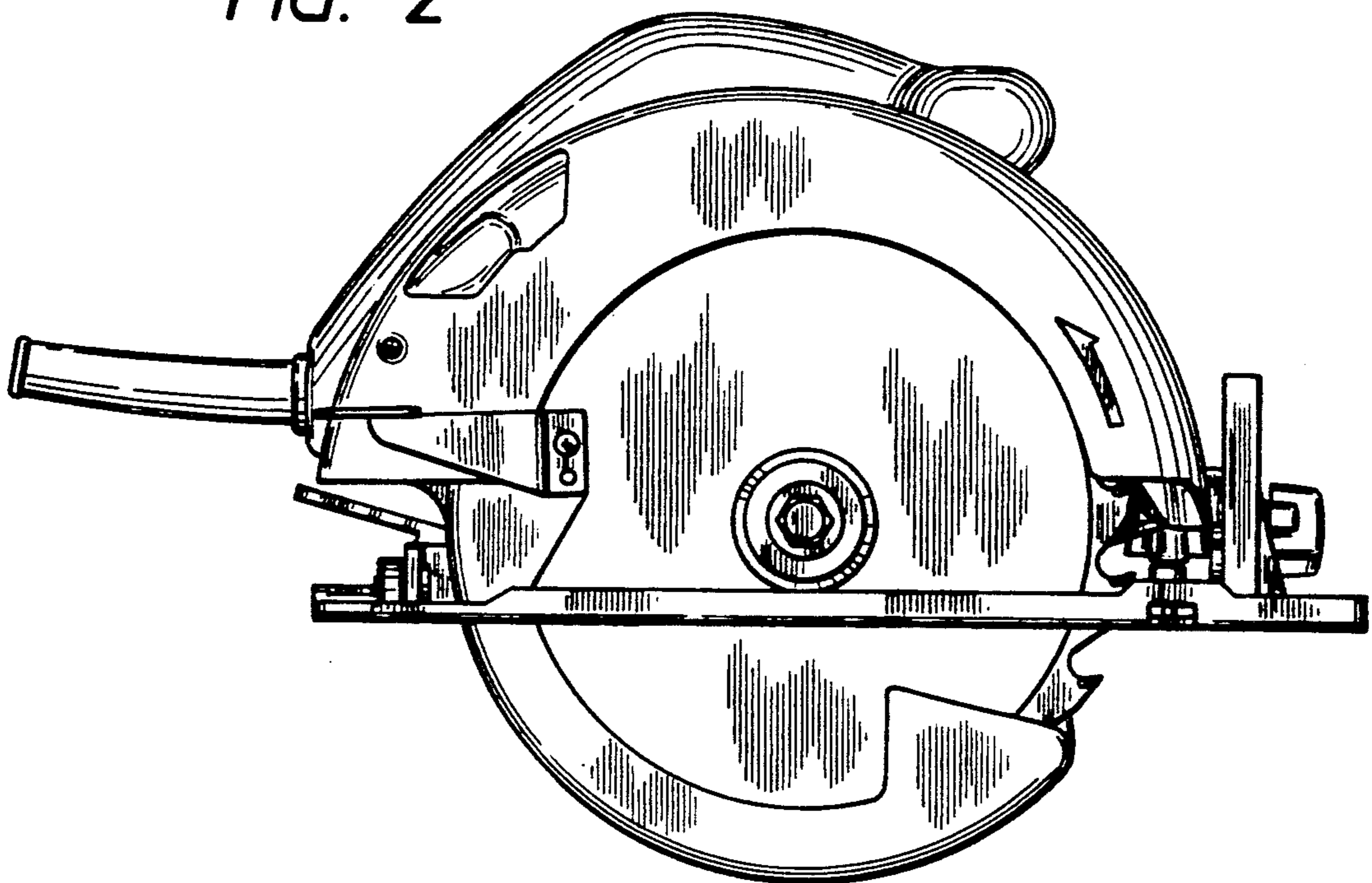


FIG. 3

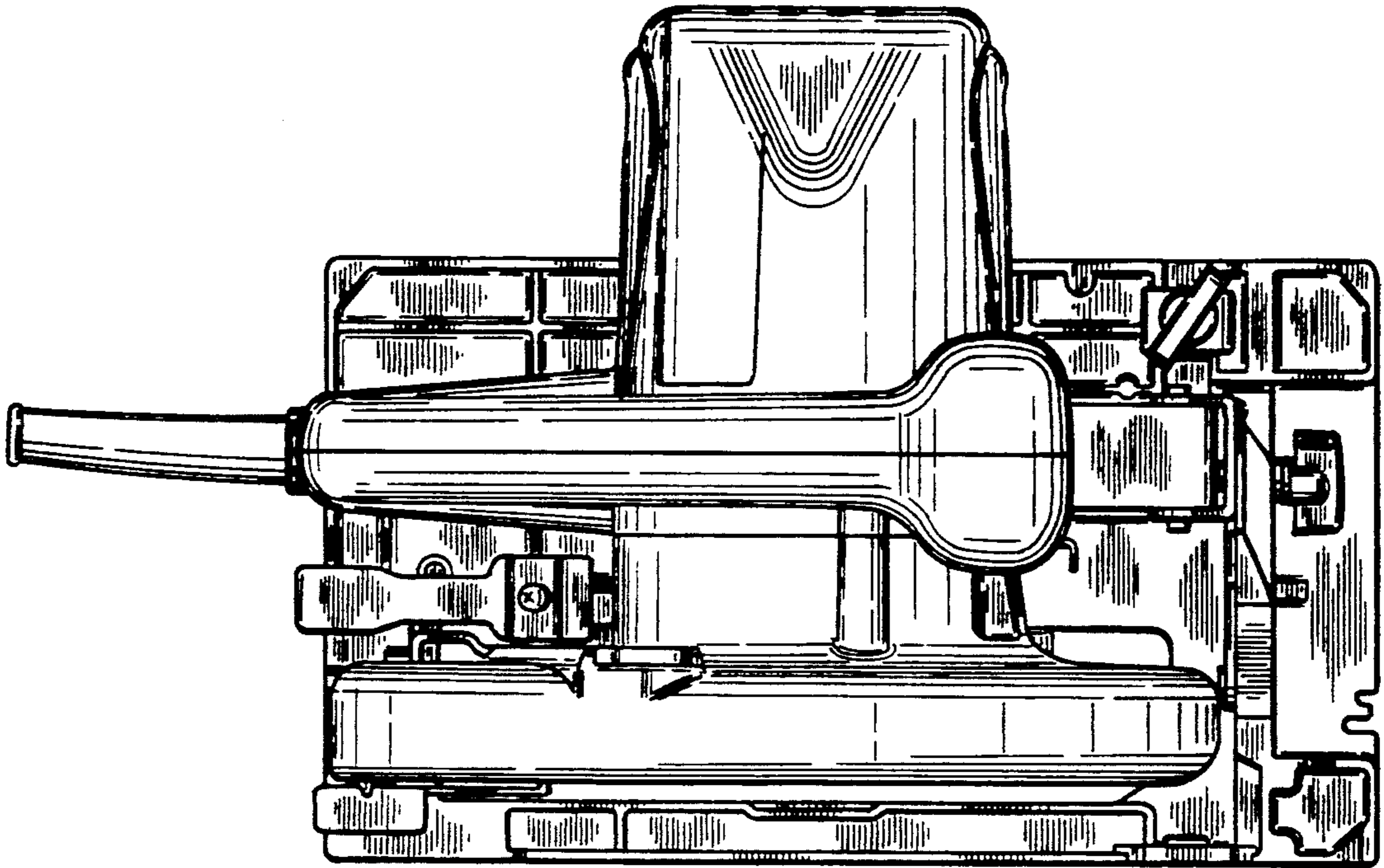


FIG. 4

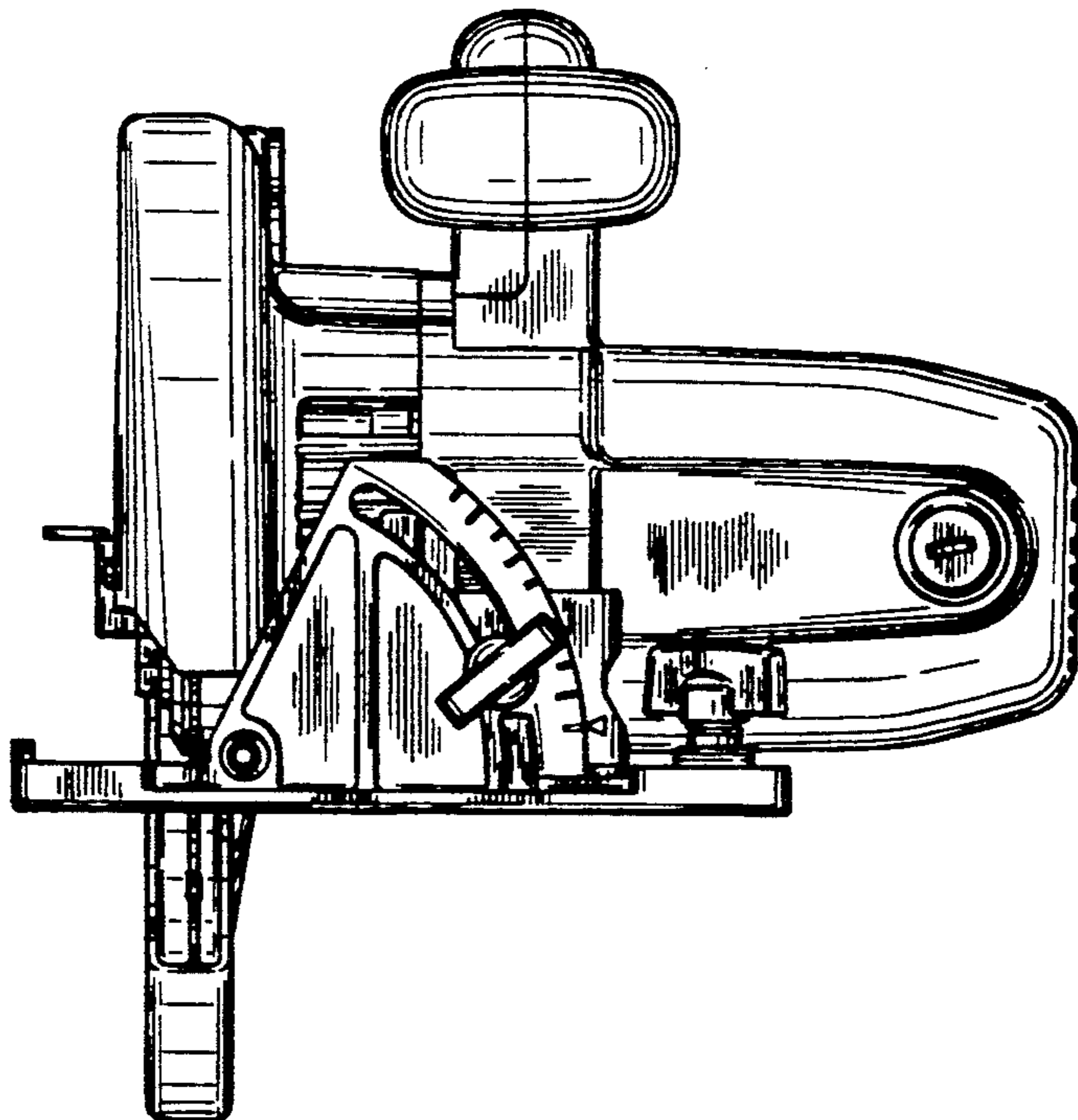


FIG. 5

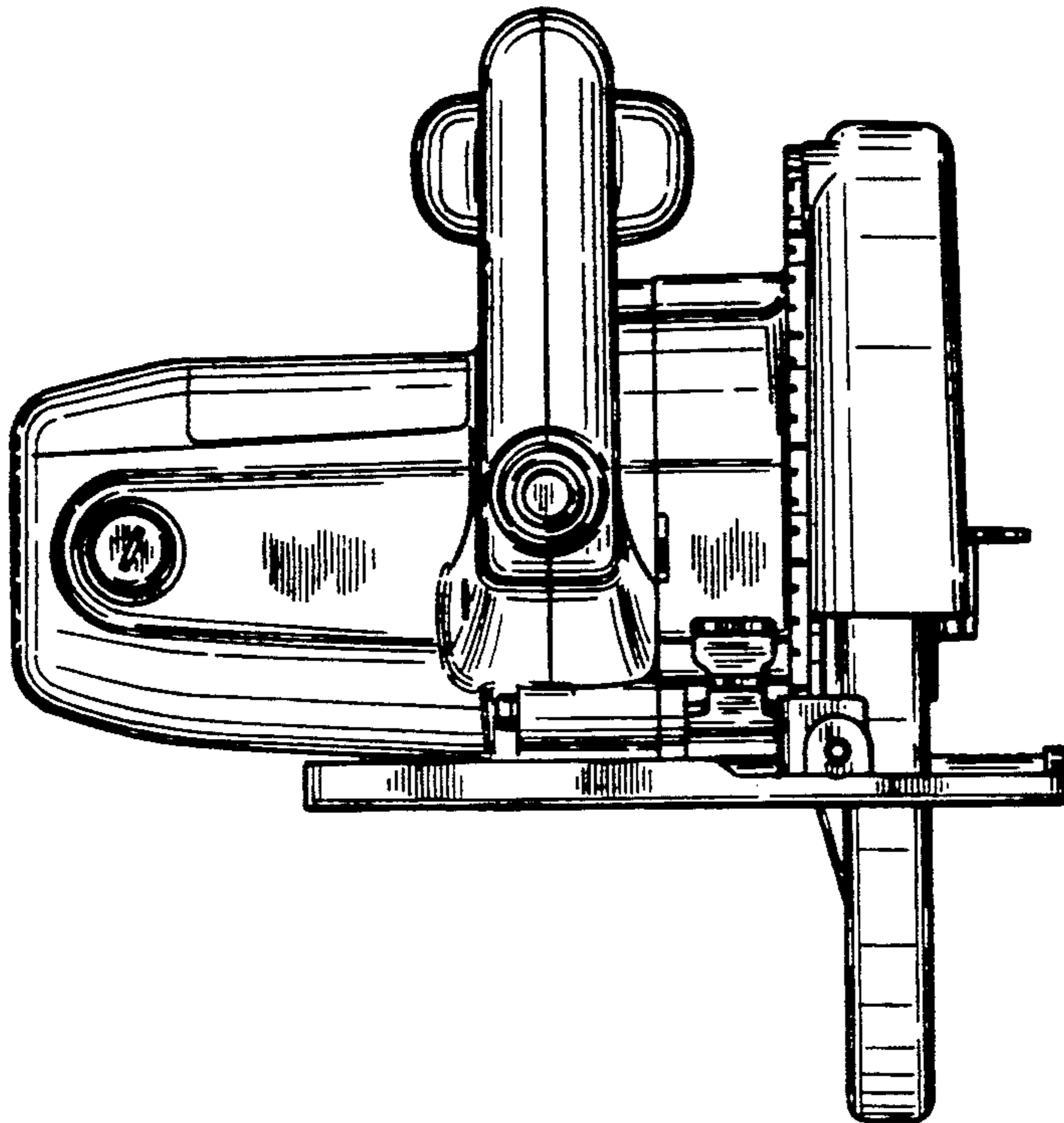


FIG. 6

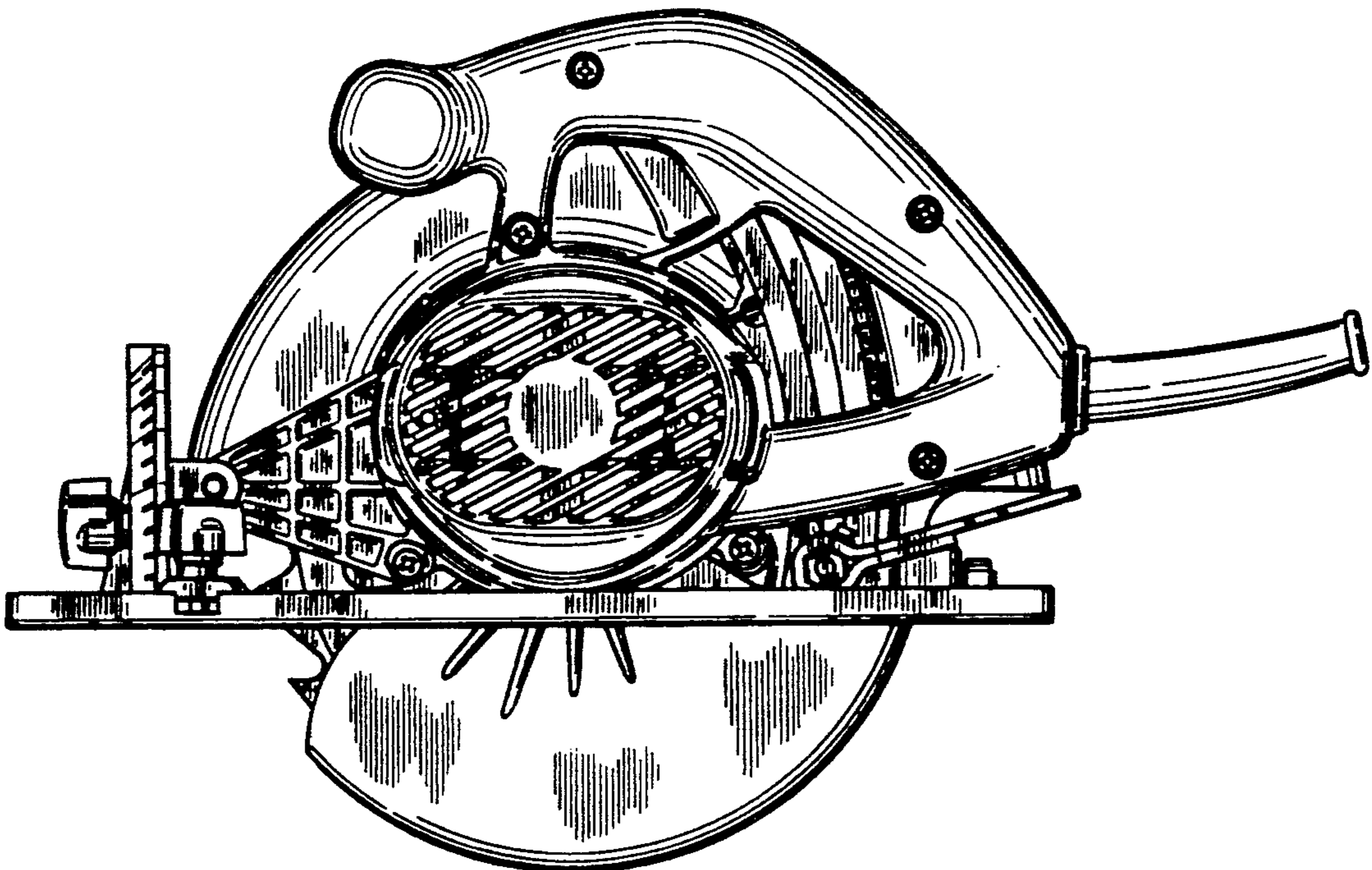


FIG. 7

