



US00D329358S

United States Patent [19]

[11] Patent Number: **Des. 329,358**

Espinosa, Jr.

[45] Date of Patent: **** Sep. 15, 1992**

[54] CUP HOLDER FOR USE IN A VEHICLE

4,860,986 8/1989 Couzens 248/310 X
4,915,337 4/1990 Iwasaki .

[76] Inventor: **Edmundo Espinosa, Jr.**, 413 E. Fullerton, Glendale Heights, Ill. 60139

FOREIGN PATENT DOCUMENTS

596543 7/1934 Fed. Rep. of Germany .
750760 4/1945 Fed. Rep. of Germany .

[**] Term: **14 Years**

Primary Examiner—Terry A. Pfeffer
Attorney, Agent, or Firm—Terry M. Gernstein

[21] Appl. No.: **623,541**

[57] CLAIM

[22] Filed: **Dec. 7, 1990**

The ornamental design for a cup holder for use in a vehicle, as shown and described.

[52] U.S. Cl. **D7/620**

[58] Field of Search **D7/616-623;**
211/71, 74, 75, 88; 220/737; 224/42.45 R, 148;
248/310, 304, 311.2, 313, 316.1; D3/40

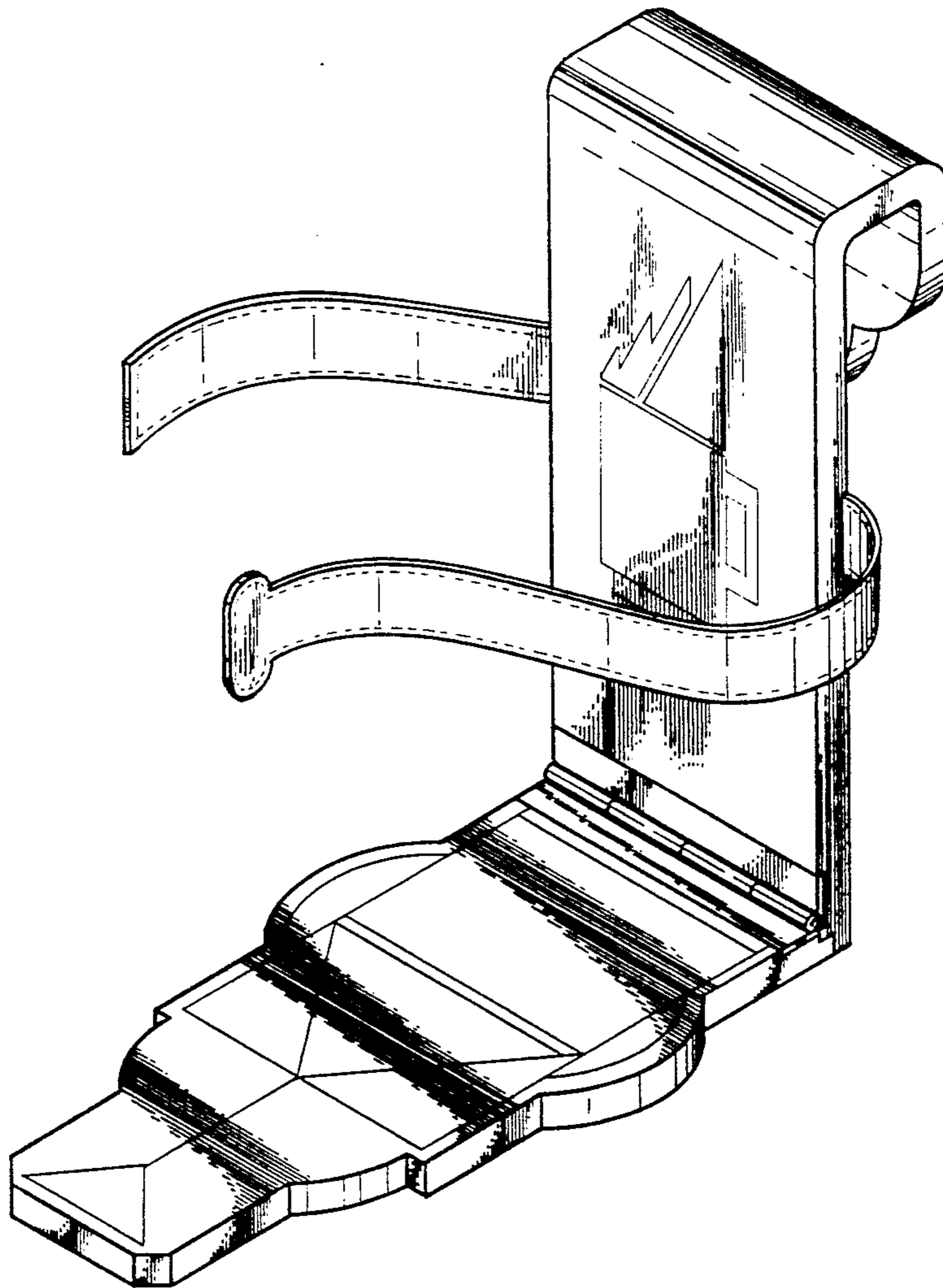
DESCRIPTION

[56] References Cited

U.S. PATENT DOCUMENTS

D. 203,010 11/1965 Graham et al. D7/620 X
4,557,452 12/1985 Khuong .
4,560,128 12/1985 Willeby .
4,767,092 8/1988 Weatherly D7/620 X
4,844,399 7/1989 Harm .

FIG. 1 is a perspective of a cup holder for use in a vehicle showing my new design;
FIG. 2 is a front elevational view thereof;
FIG. 3 is a rear elevational view thereof;
FIG. 4 is a right side elevational view thereof;
FIG. 5 is a left side elevational thereof;
FIG. 6 is a top plan view thereof; and,
FIG. 7 is a bottom plan view thereof.



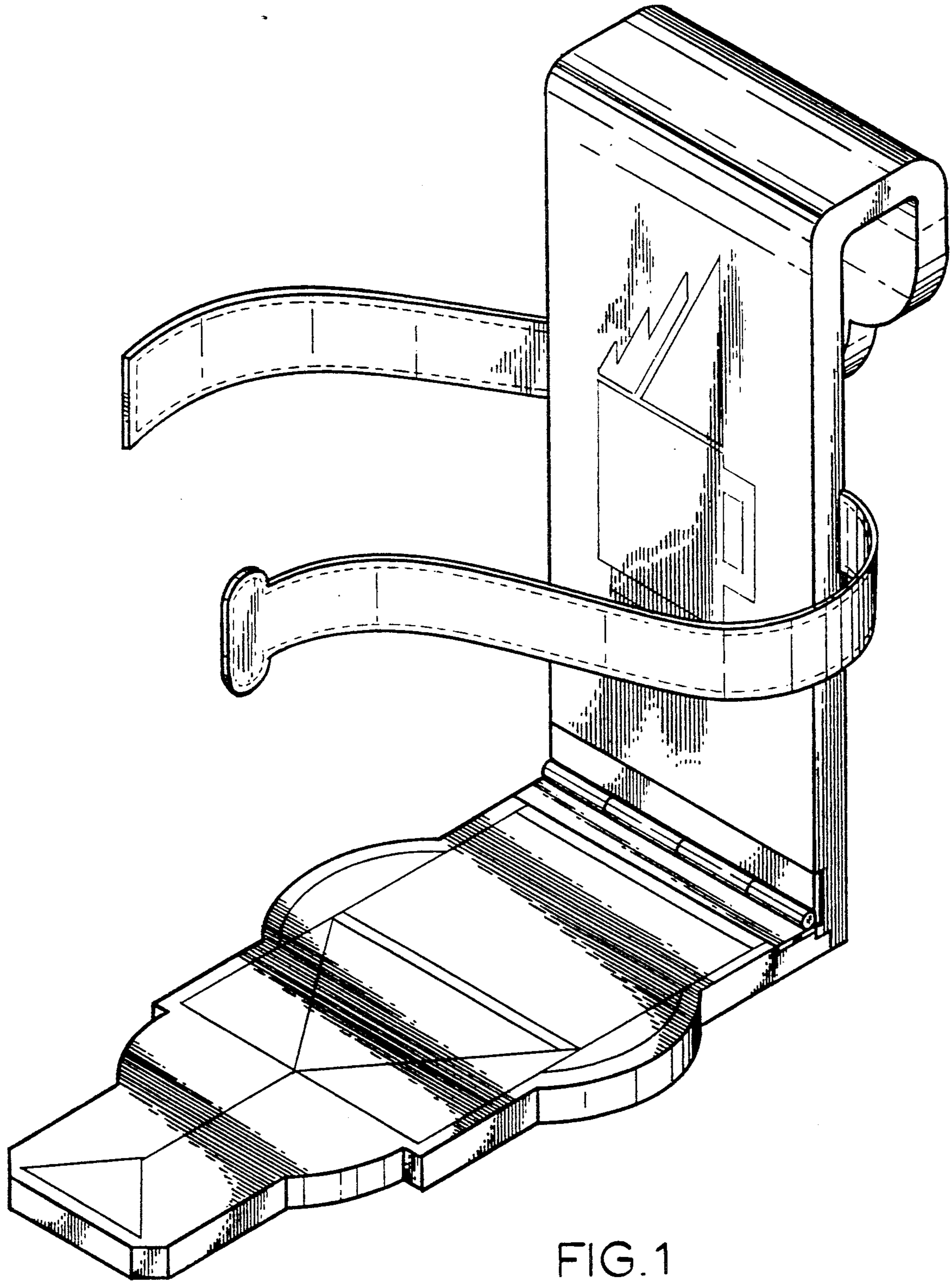
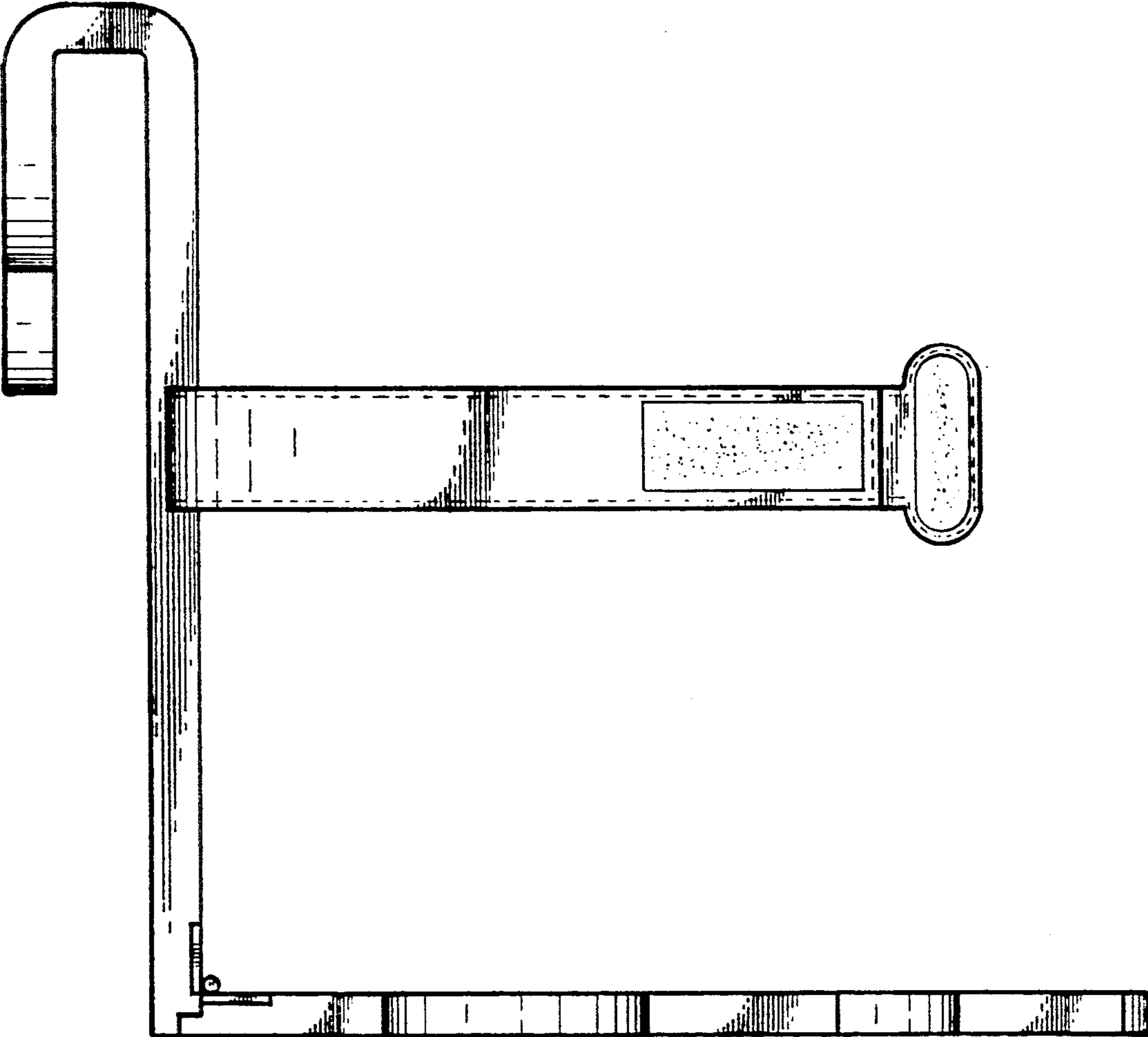


FIG. 1



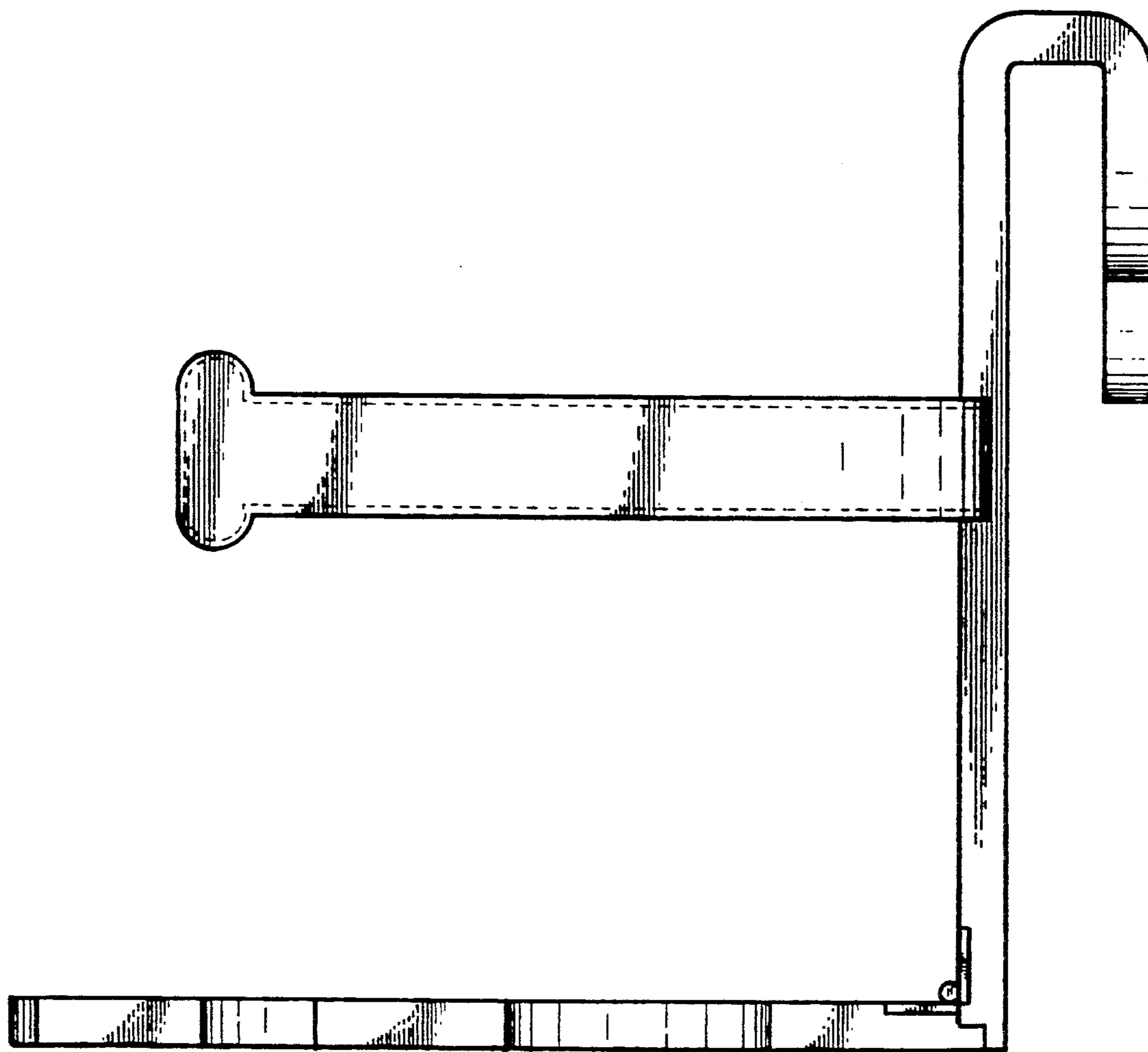


FIG. 3

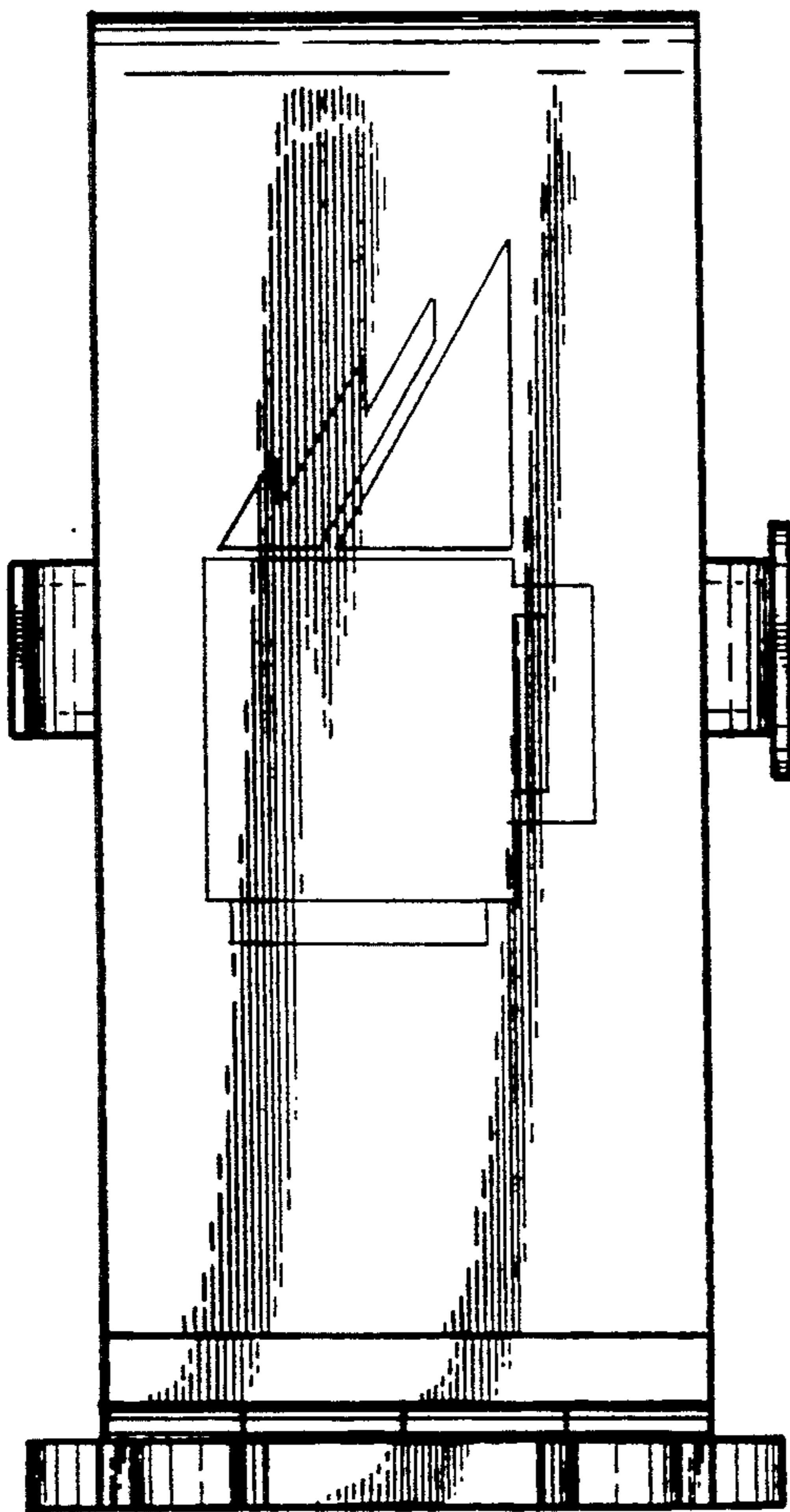


FIG. 4

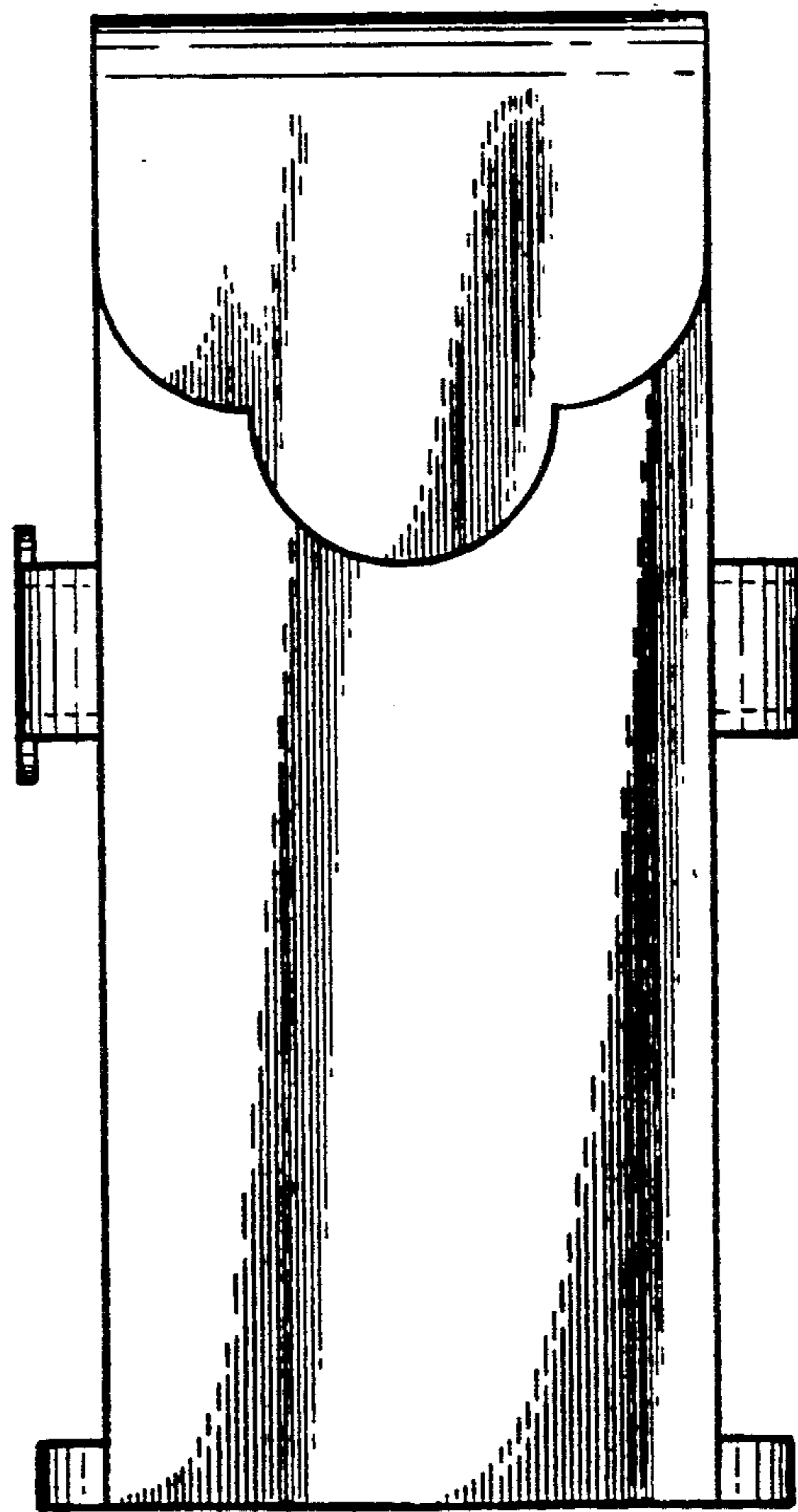


FIG. 5

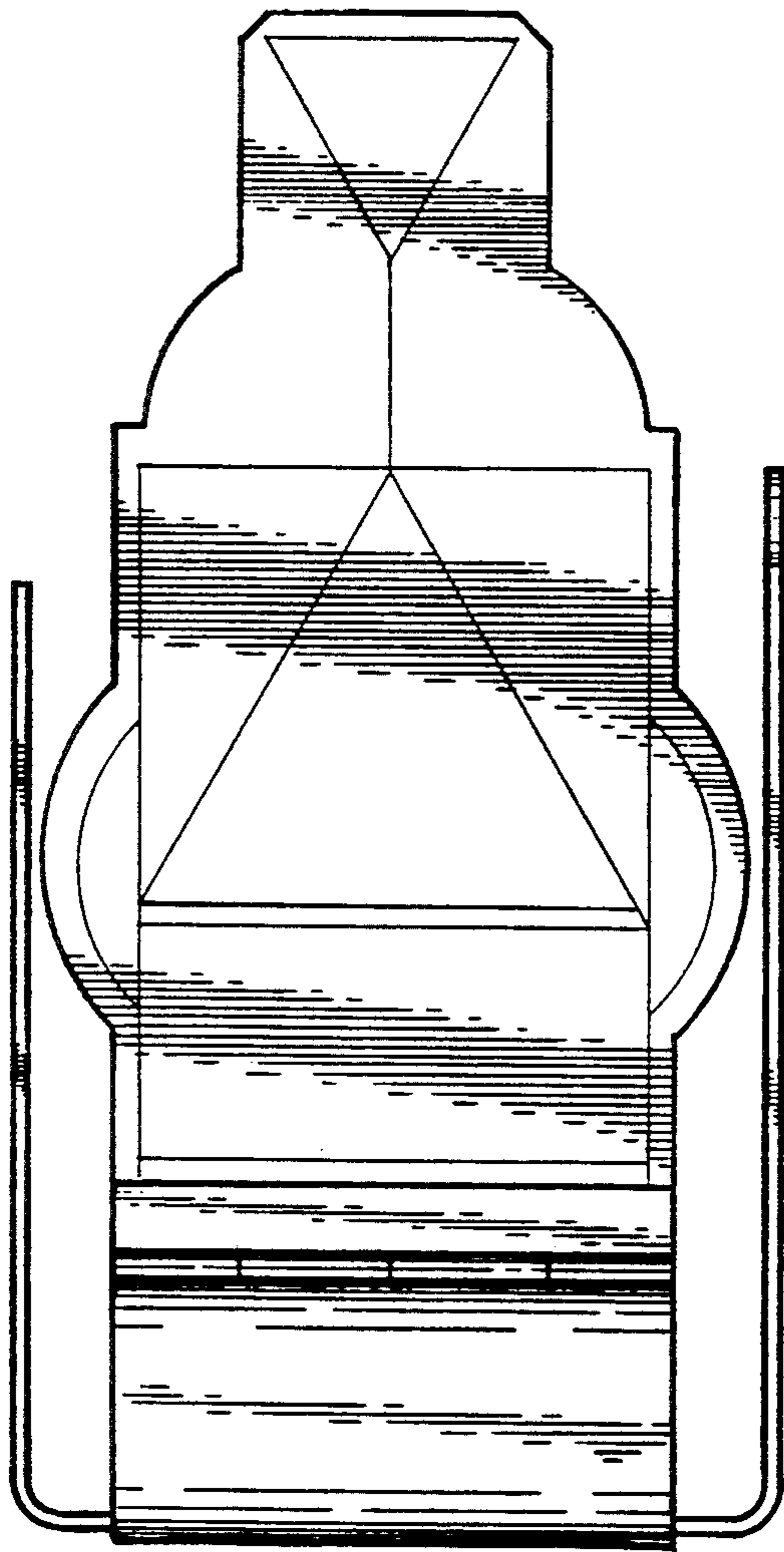


FIG. 6

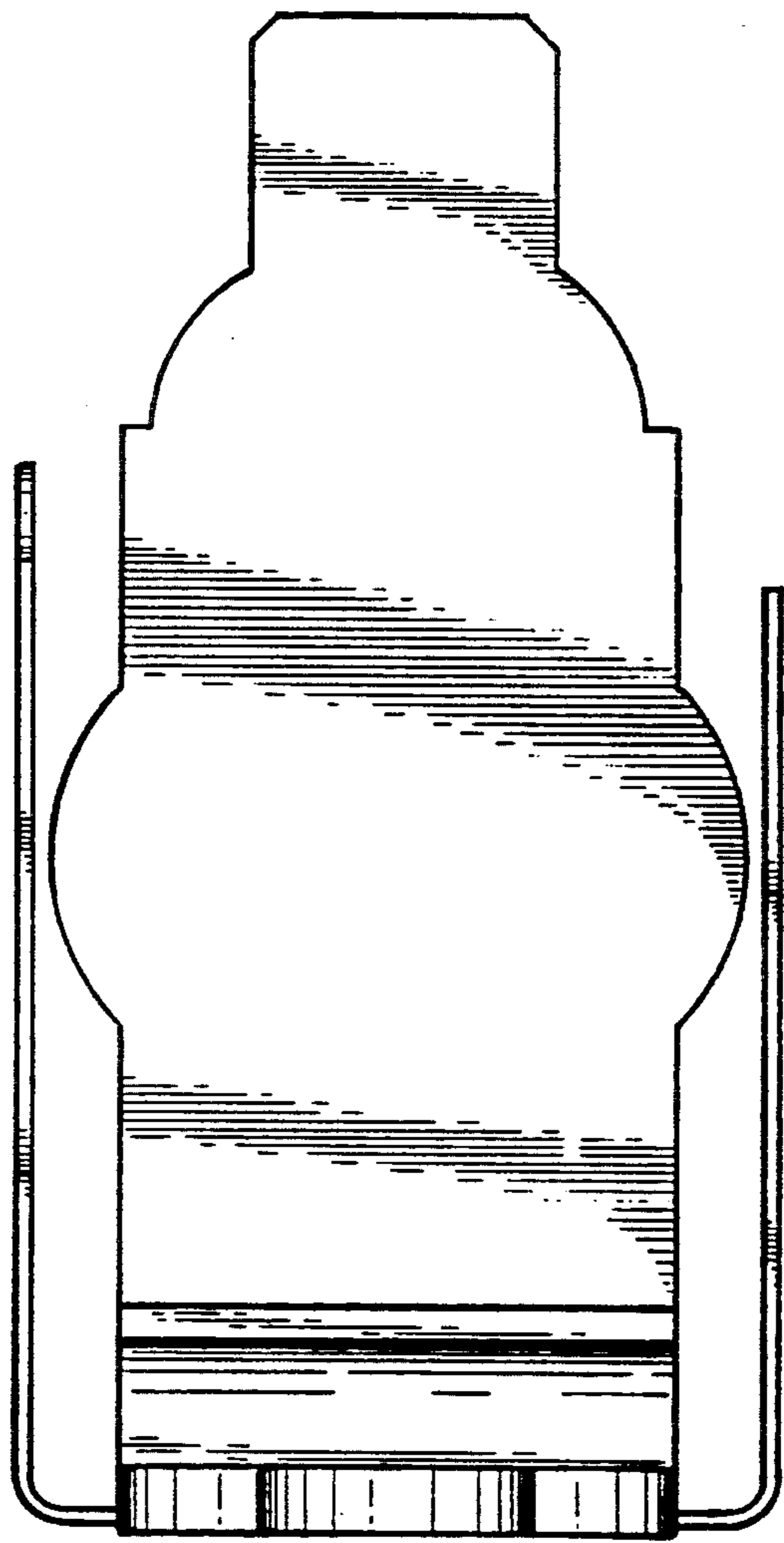


FIG. 7