



US00D329355S

United States Patent [19]

[11] Patent Number: Des. 329,355

Yagi

[45] Date of Patent: ** Sep. 15, 1992

[54] INFANT'S DRINKING MUG

5,020,680 6/1991 Bale 215/11.6

5,033,631 7/1991 Nightingale 215/11.6 X

[75] Inventor: Toshikazu Yagi, Osaka, Japan

Primary Examiner—Donald P. Walsh

[73] Assignee: Jex Co., Ltd., Osaka, Japan

Assistant Examiner—M. N. Pandozzi

[**] Term: 14 Years

Attorney, Agent, or Firm—Nikaido, Marmelstein,
Murray & Oram

[21] Appl. No.: 655,905

[57] CLAIM

[22] Filed: Feb. 14, 1991

The ornamental design for an infant's drinking mug, as shown and described.

[30] Foreign Application Priority Data

DESCRIPTION

Aug. 21, 1990 [JP] Japan 2-28126

[52] U.S. Cl. D7/511; D7/534

[58] Field of Search D7/507, 300.1, 396.2,
D7/510, 412, 510, 536, 392.1, 392, 534, 533,
509, 511, 391, 300; 210/474; 215/11.6, 227,
11.1, 307; 220/709, 705, 735, 707, 708, 367, 700,
737, 712, 713, 714, 23.83, 702; 62/459; 222/570,
147; 229/1.5 B; D9/454, 435

FIG. 1 is a perspective view of a infant's drinking mug showing my new design;

FIG. 2 is a front elevational view thereof;

FIG. 3 is a right side elevational view thereof;

FIG. 4 is a left side elevational view thereof;

FIG. 5 is a rear elevational view thereof;

FIG. 6 is a top plan view thereof;

FIG. 7 is a bottom plan view thereof;

FIG. 8 is an exploded perspective view thereof;

FIG. 9 is a sectional view along line 9—9 in FIG. 6;

FIG. 10 is a sectional view along line 10—10 in FIG. 6;

FIG. 11 is a perspective view of a infant's drinking mug showing a second embodiment of my new design;

FIG. 12 is a front elevational view thereof;

FIG. 13 is a right side elevational view thereof;

FIG. 14 is a left side elevational view thereof;

FIG. 15 is a rear elevational view thereof;

FIG. 16 is a top plan view thereof;

FIG. 17 is a bottom plan view thereof;

FIG. 18 is an exploded perspective view thereof;

FIG. 19 is a sectional view along line 19—19 in FIG. 16; and,

FIG. 20 is a sectional view along line 20—20 in FIG. 16.

[56] References Cited

U.S. PATENT DOCUMENTS

D. 320,559	10/1991	Olson	D9/454 X
D. 321,457	11/1991	Kahl	D7/510 X
1,174,828	3/1916	Copeland	D7/300.1 X
1,480,855	1/1924	Dunkelberger	215/11.6
3,101,857	8/1963	Freedman	220/737 X
3,773,243	11/1973	Greene	220/709 X
4,020,969	5/1977	Ando	220/713 X
4,130,215	12/1978	Corey et al.	D7/510 X
4,347,713	9/1982	Morrison et al.	62/459
4,508,235	4/1985	Steele et al.	215/307
4,818,114	4/1987	Ghavi	215/11.1 X
4,869,390	9/1989	Kennedy	229/1.5 B
4,917,252	4/1990	Chambers et al.	215/11.1

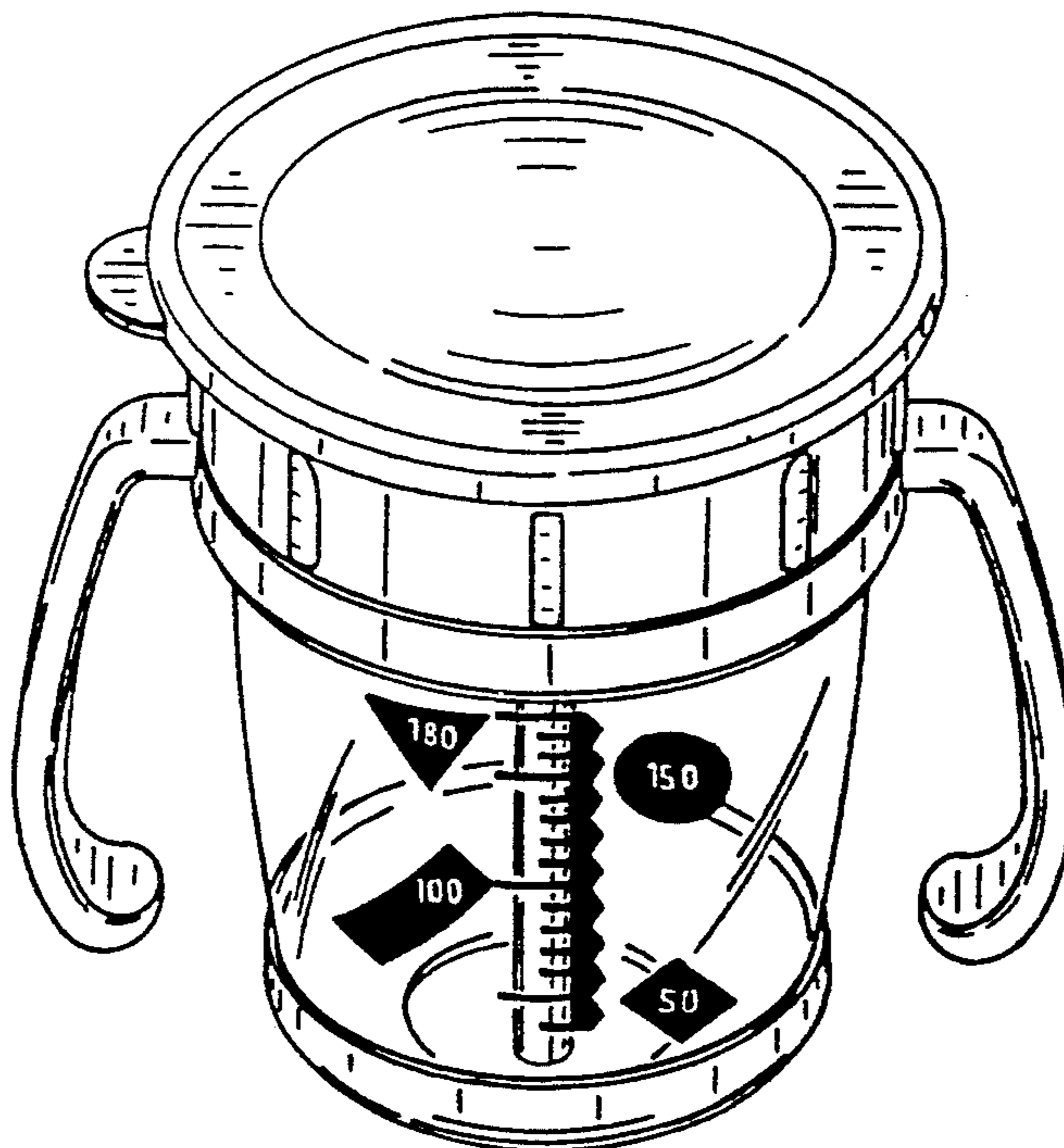


Fig. 1

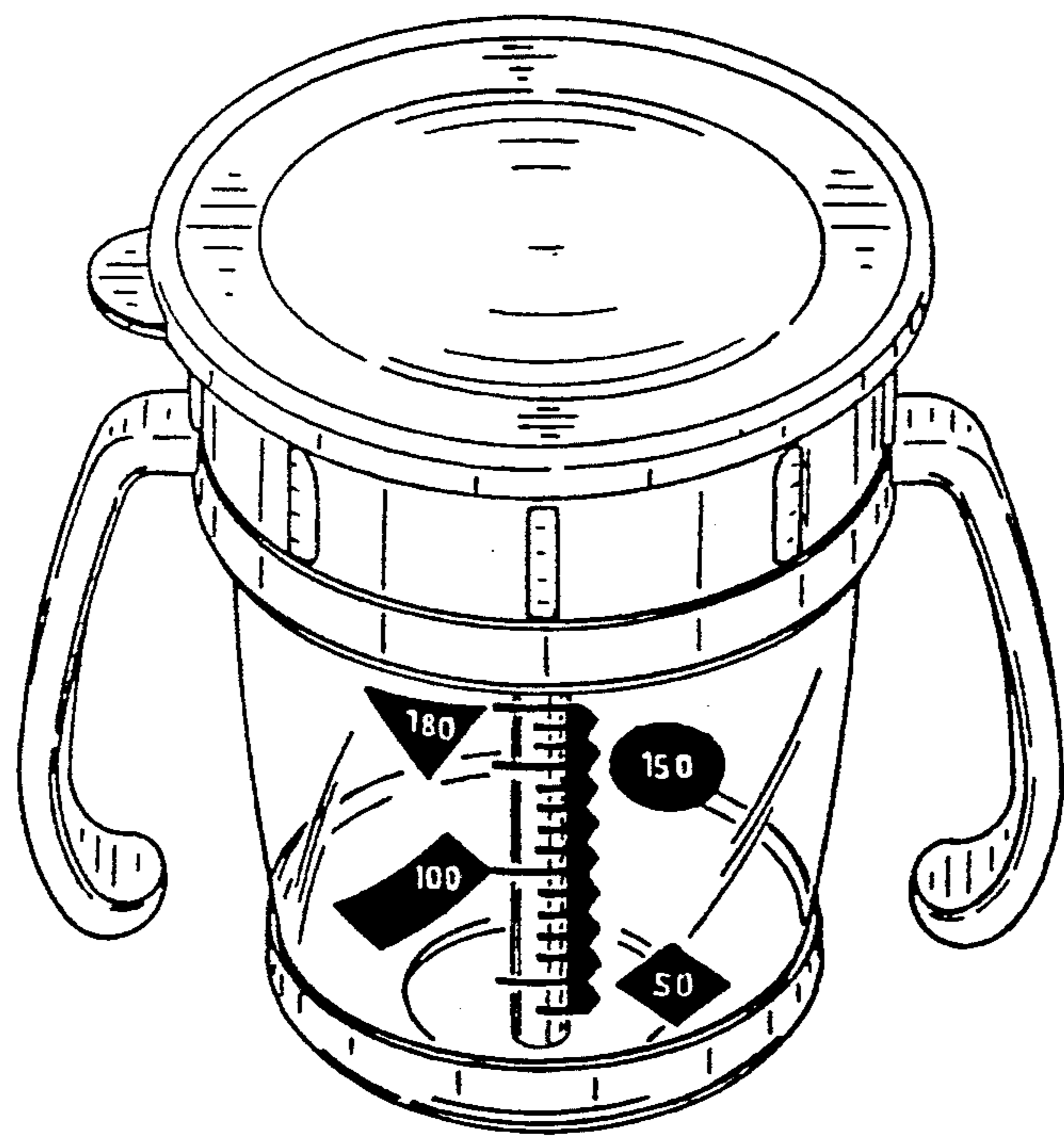


Fig. 2

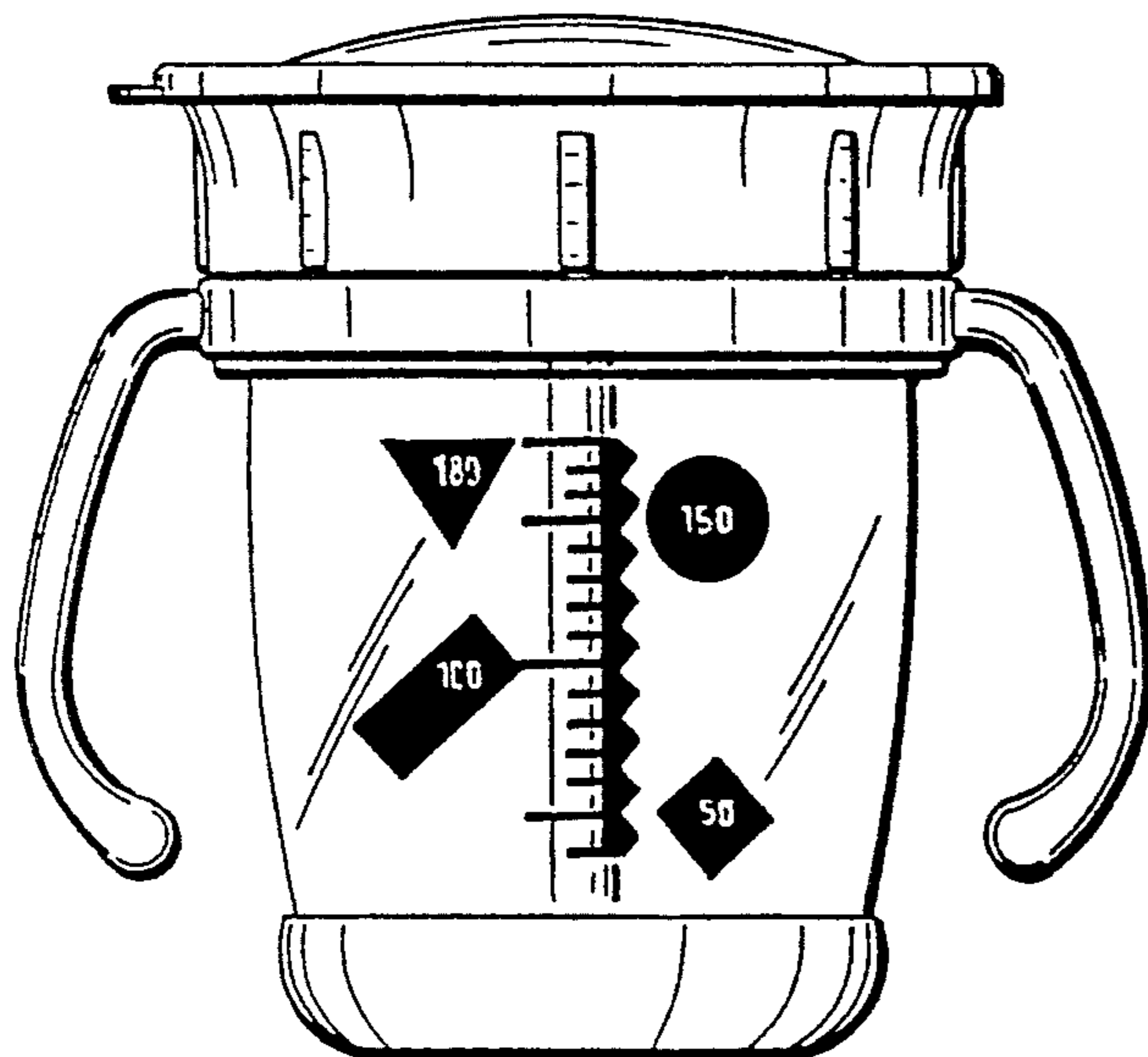


Fig. 3

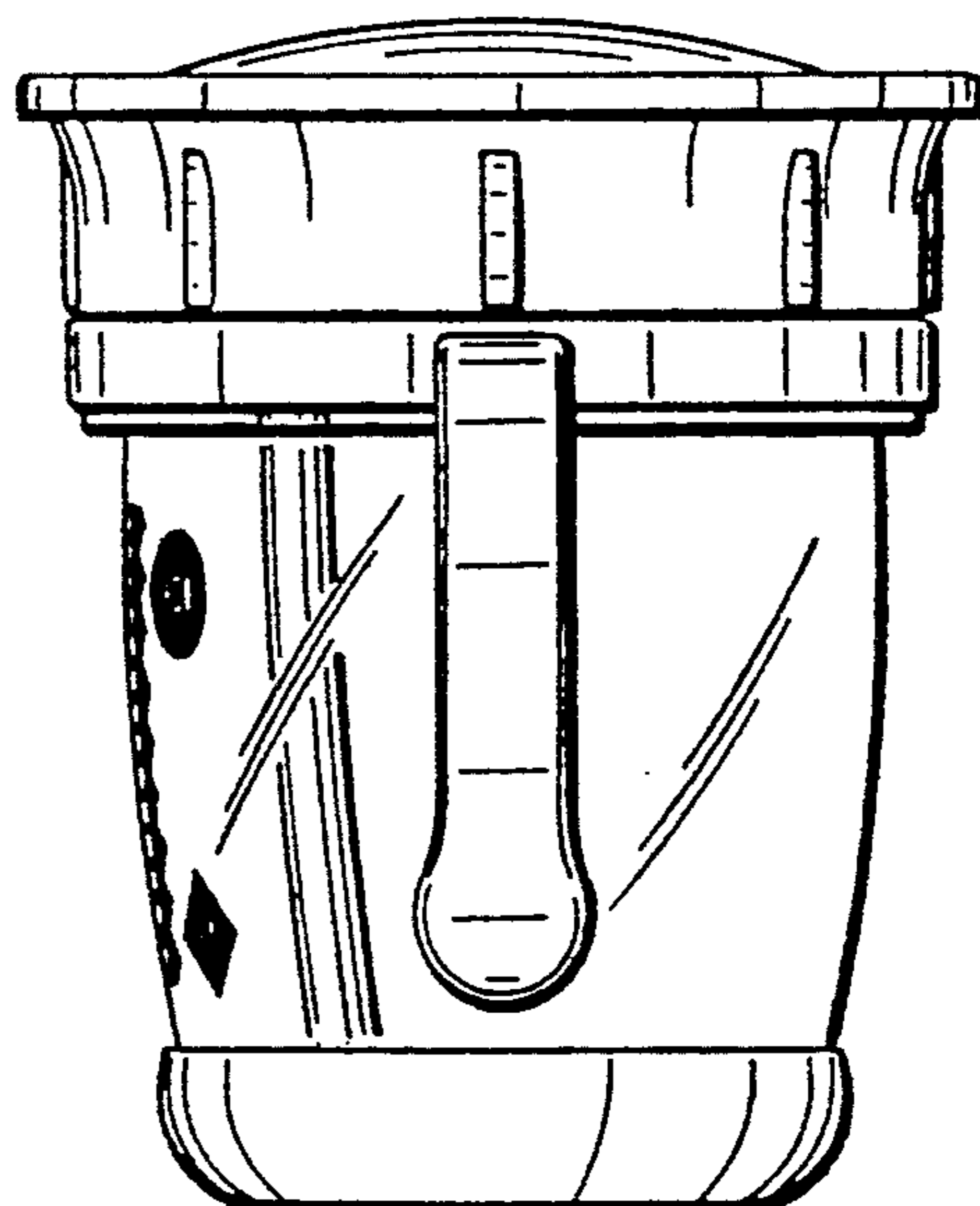


Fig. 4

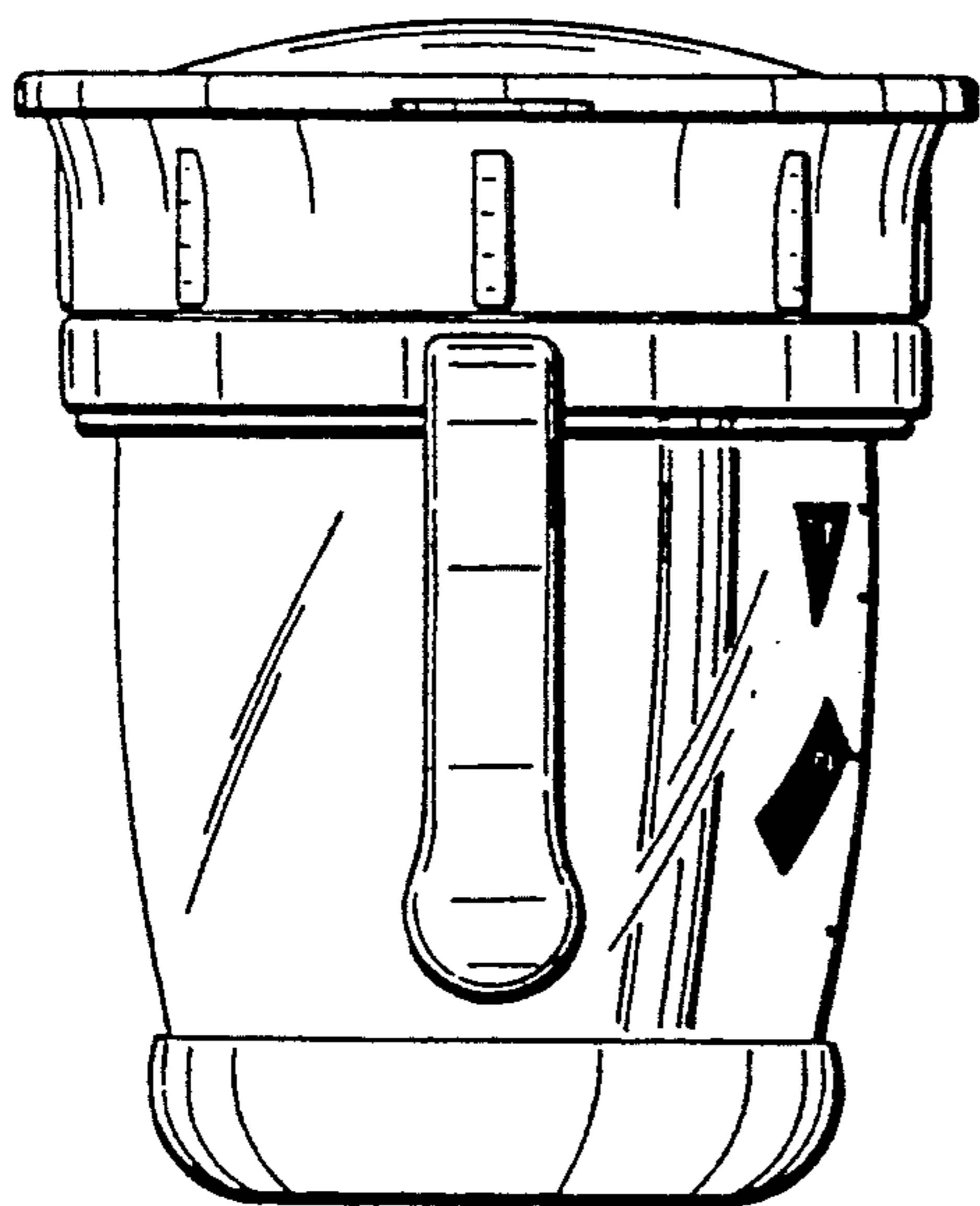


Fig. 5

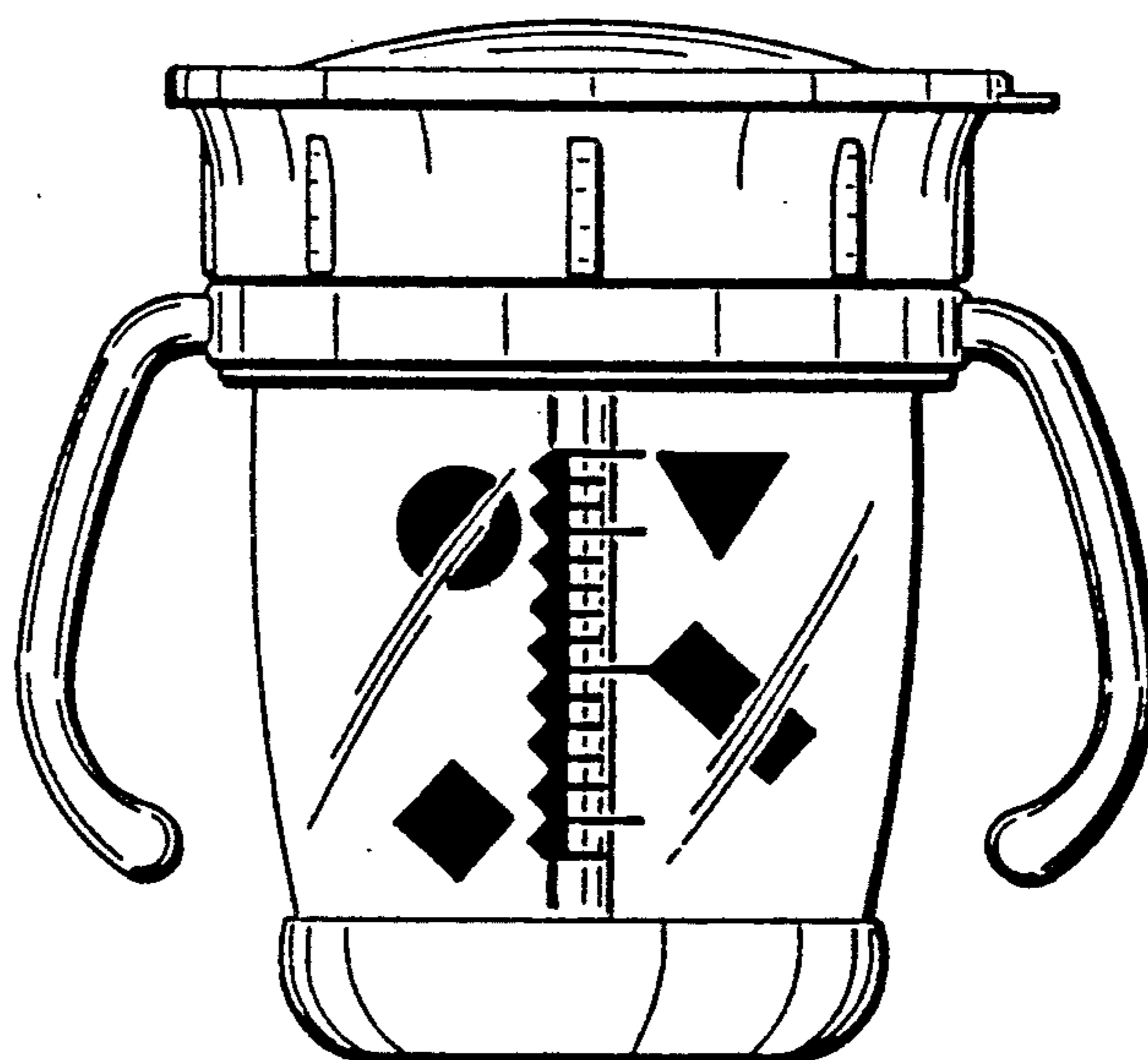


Fig. 6

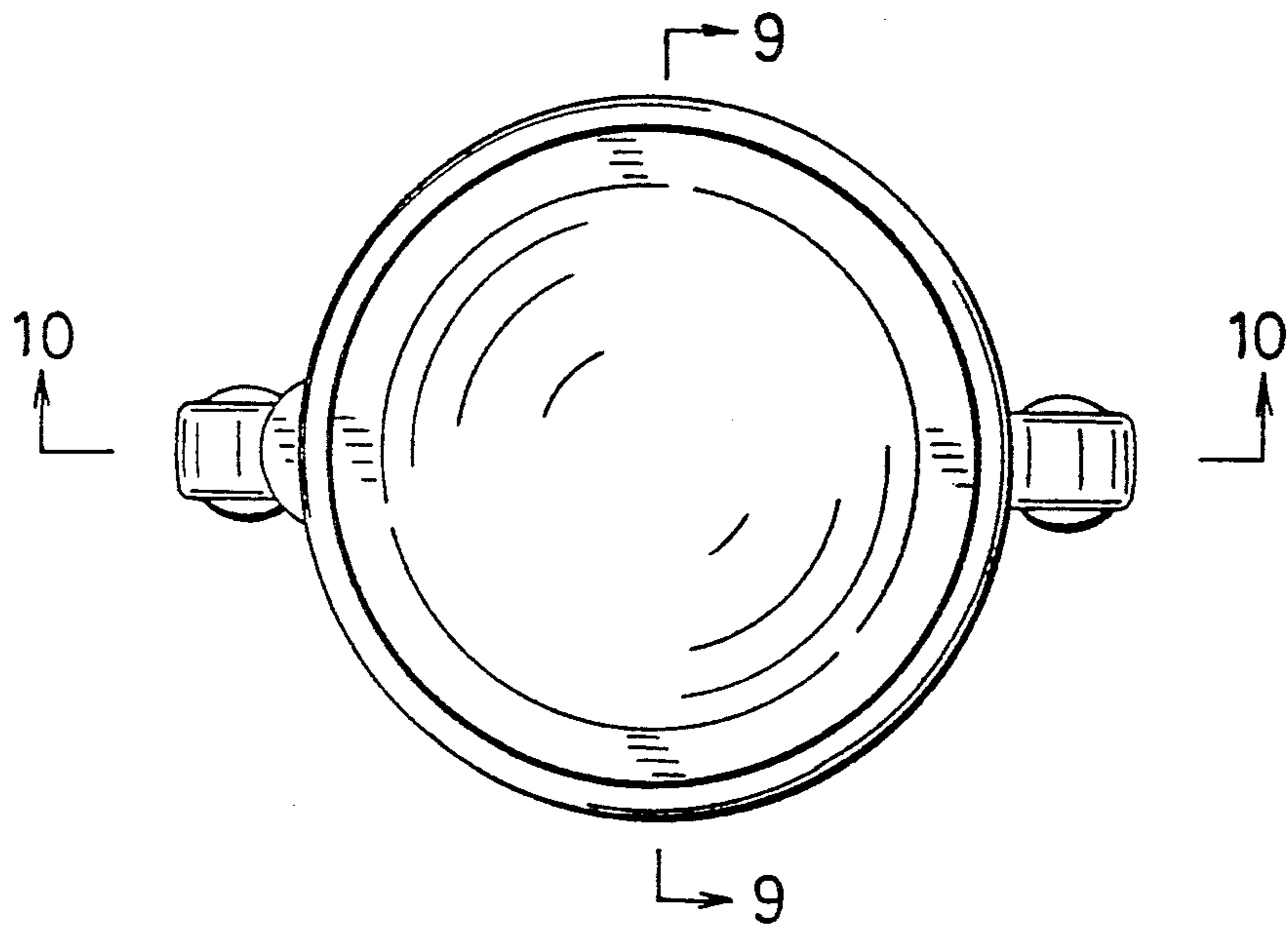


Fig. 7

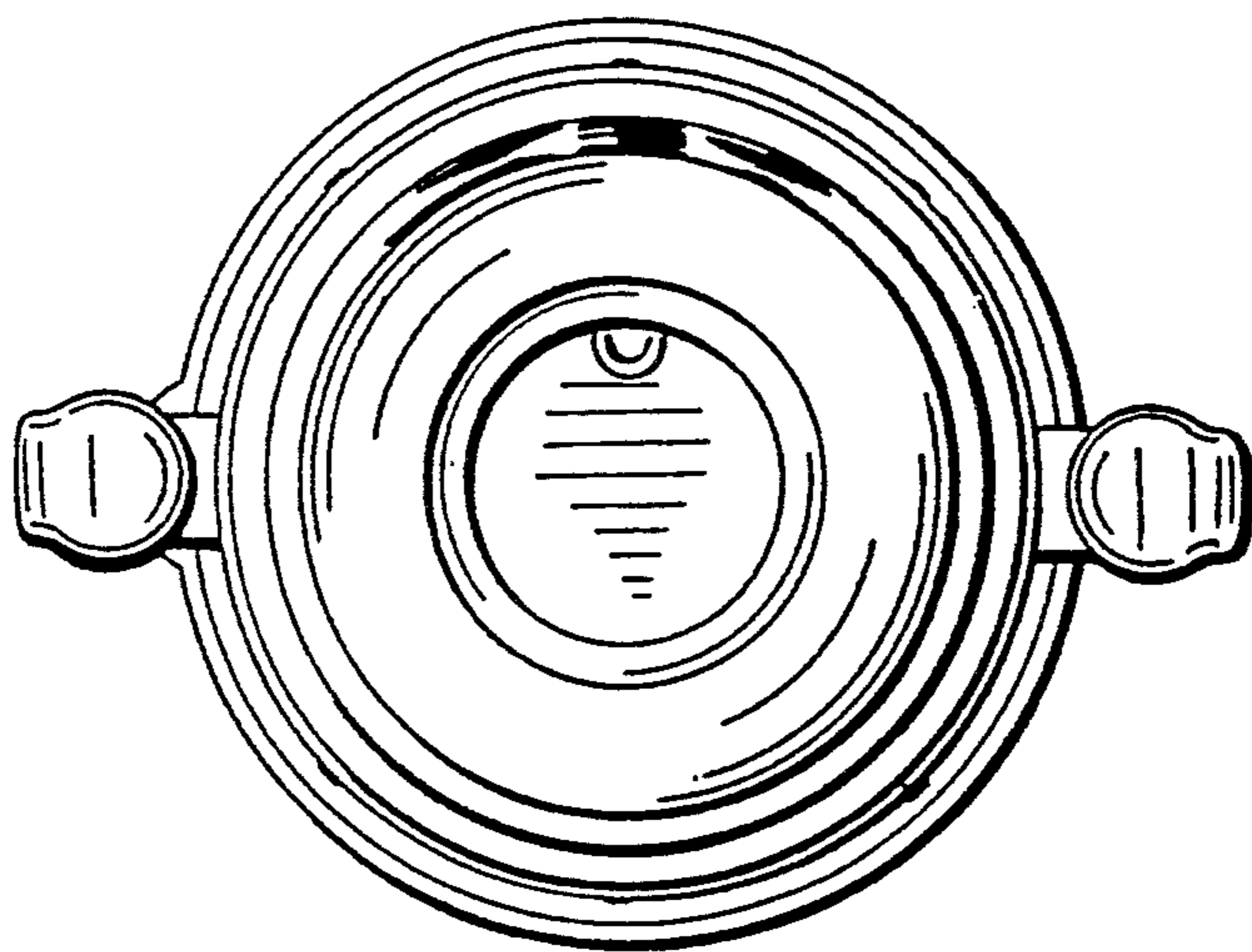


Fig. 8

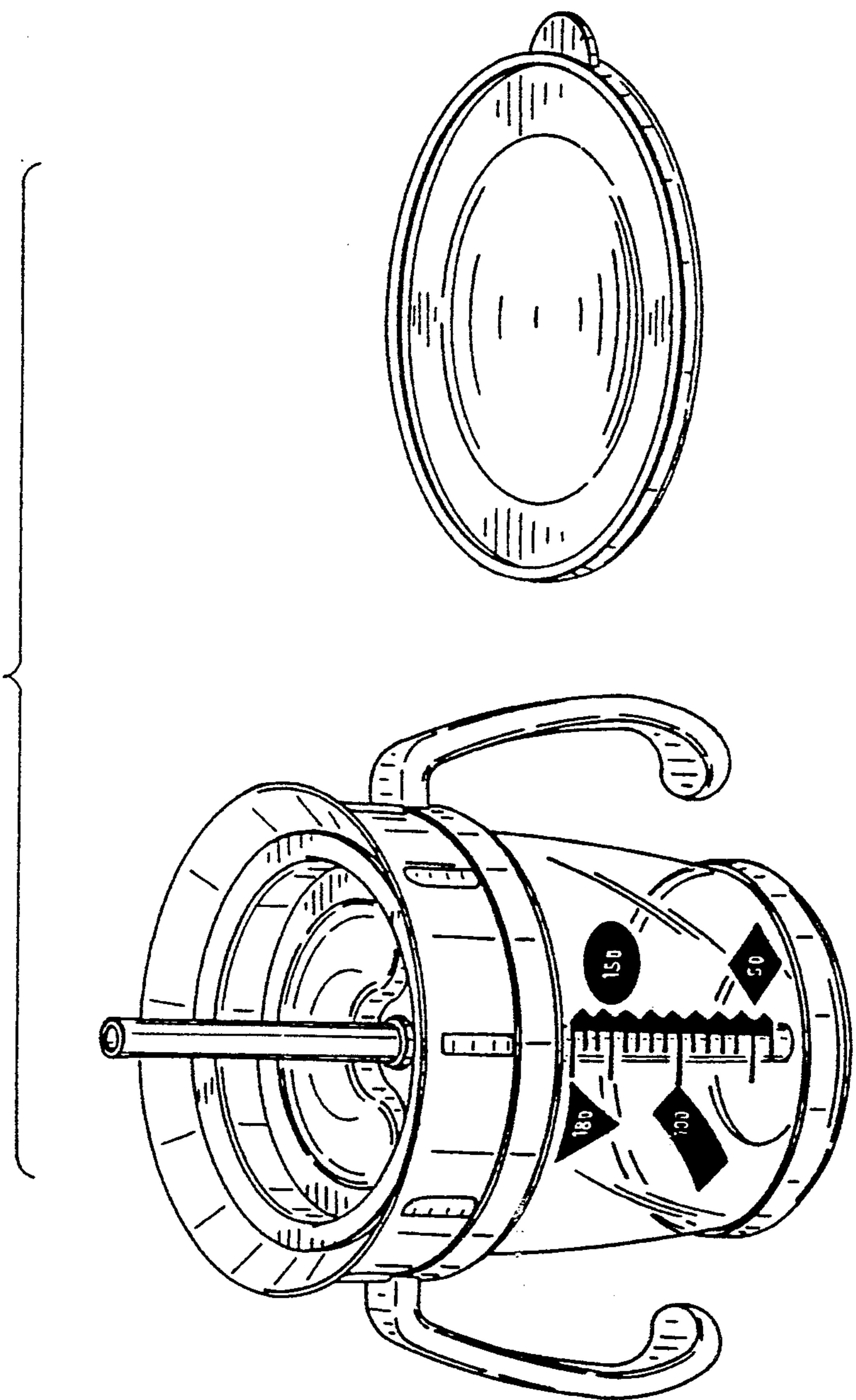


Fig. 9

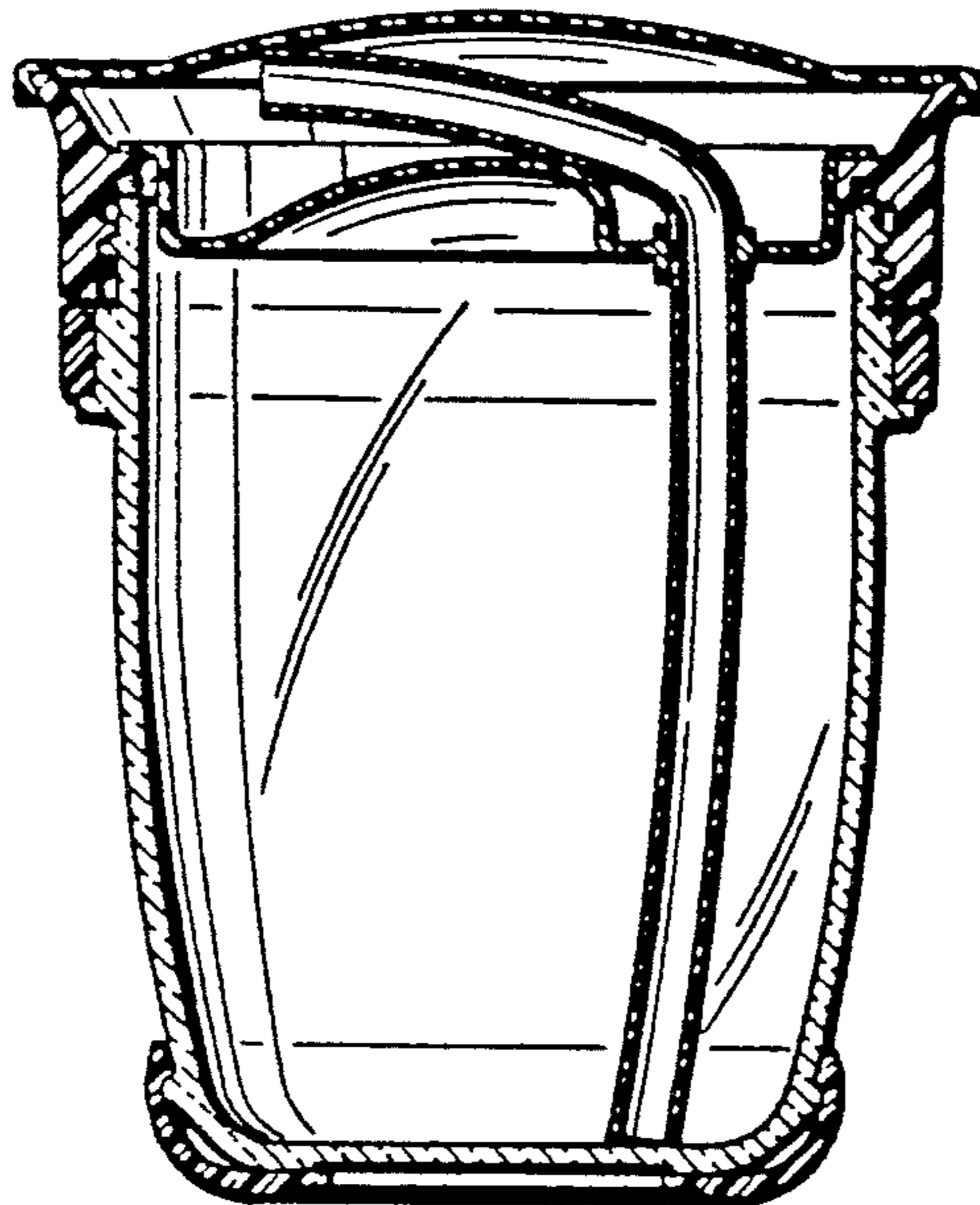


Fig. 10

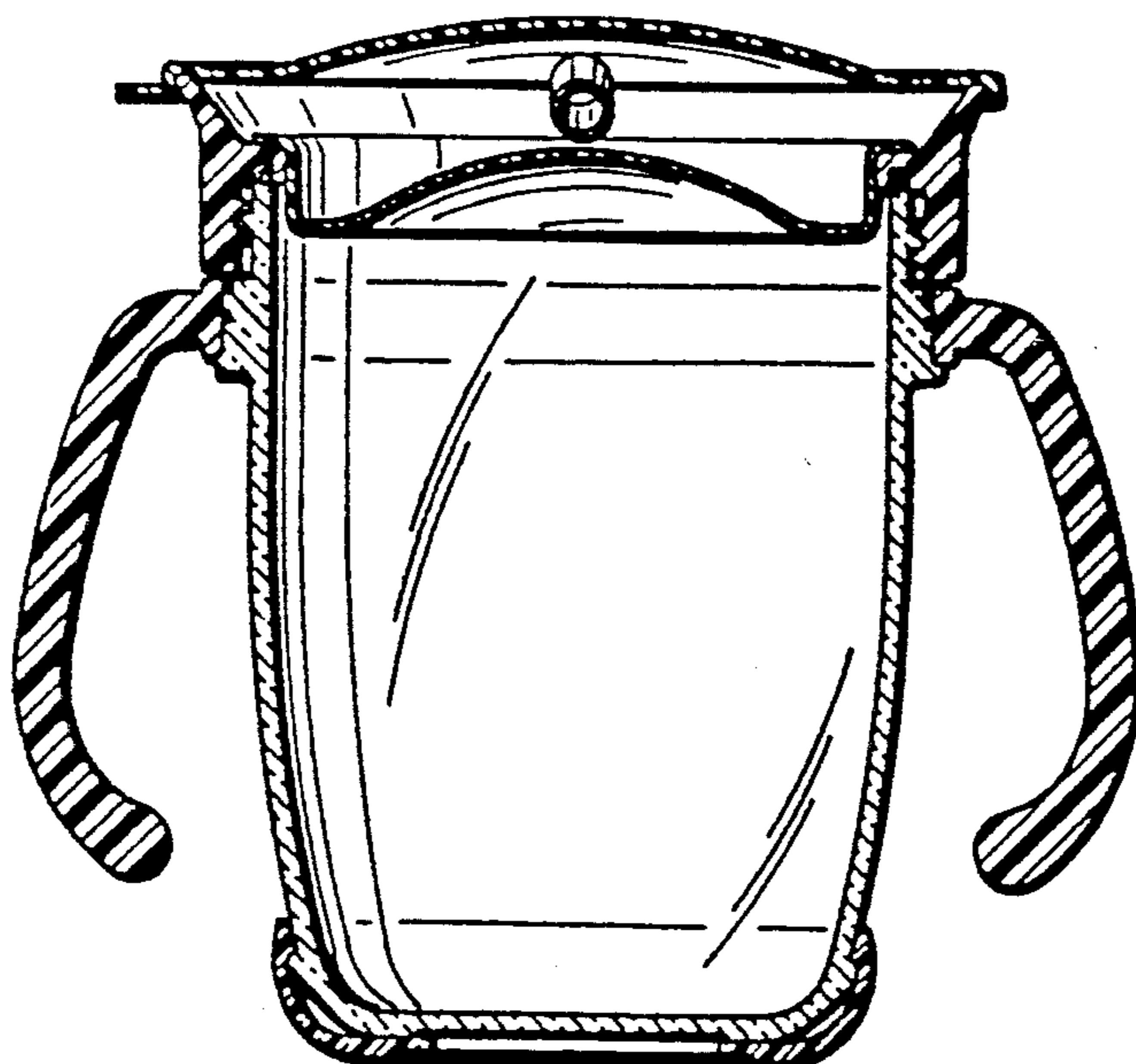


Fig. 11

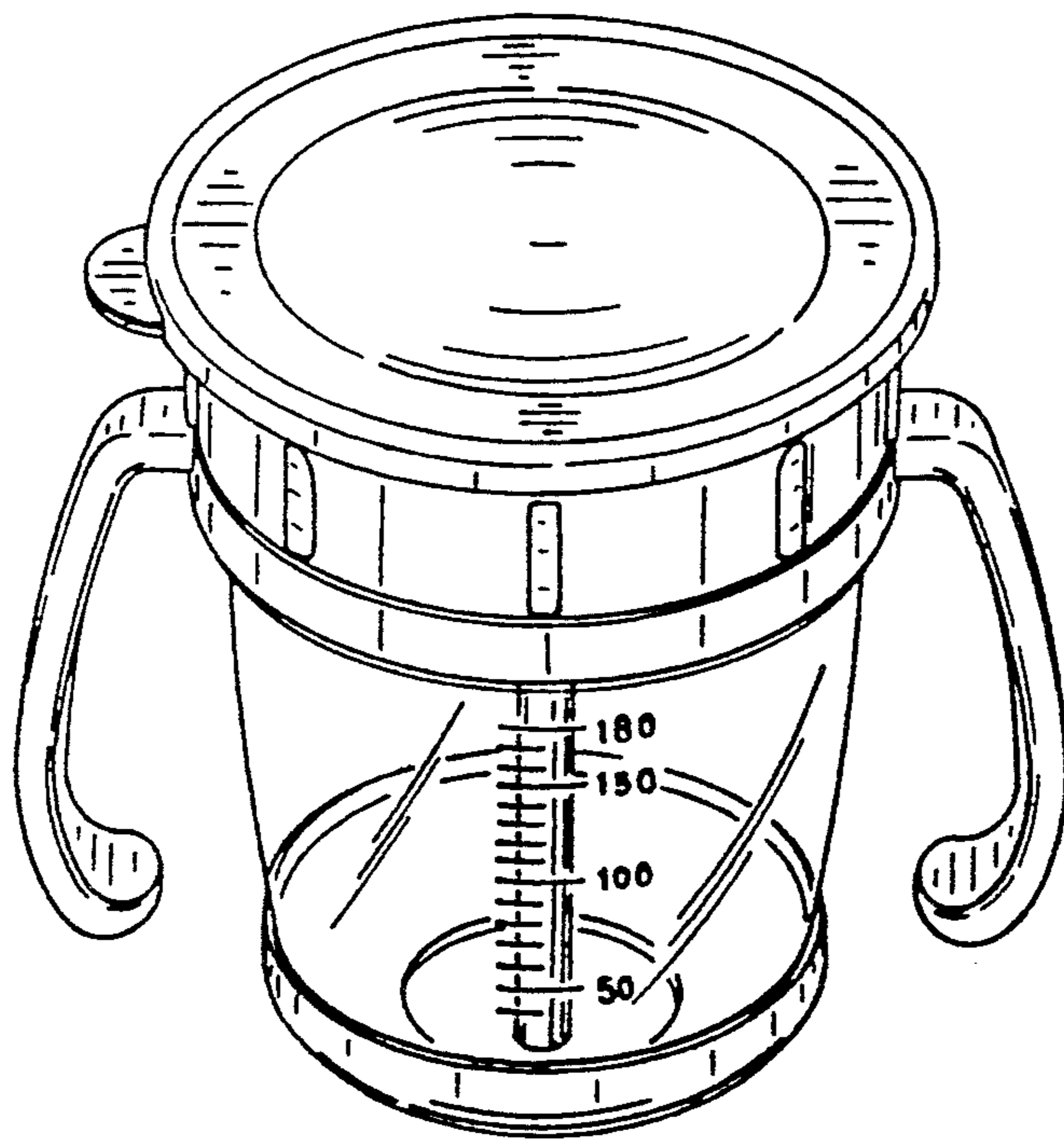


Fig. 12

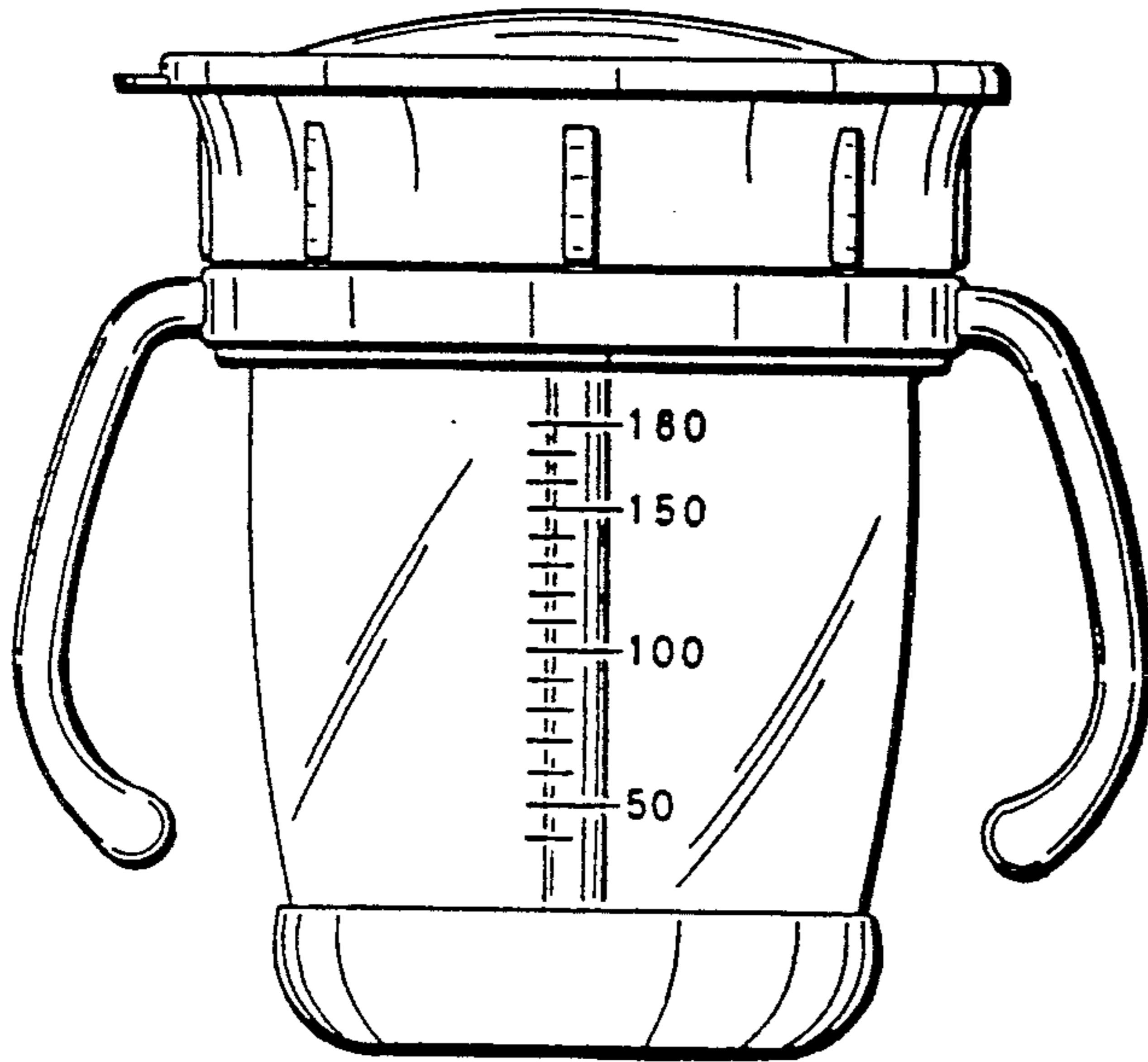


Fig. 13

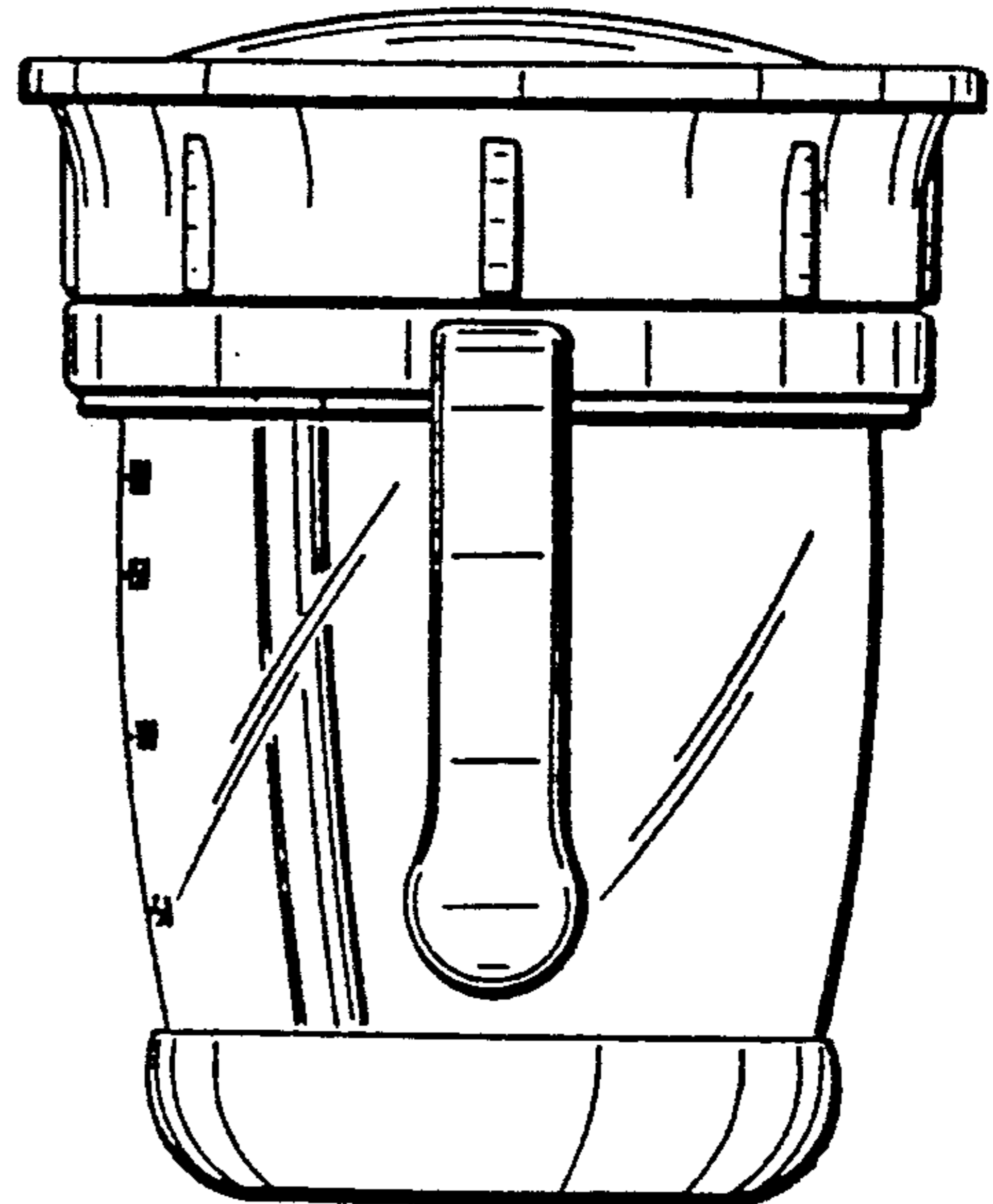


Fig. 14

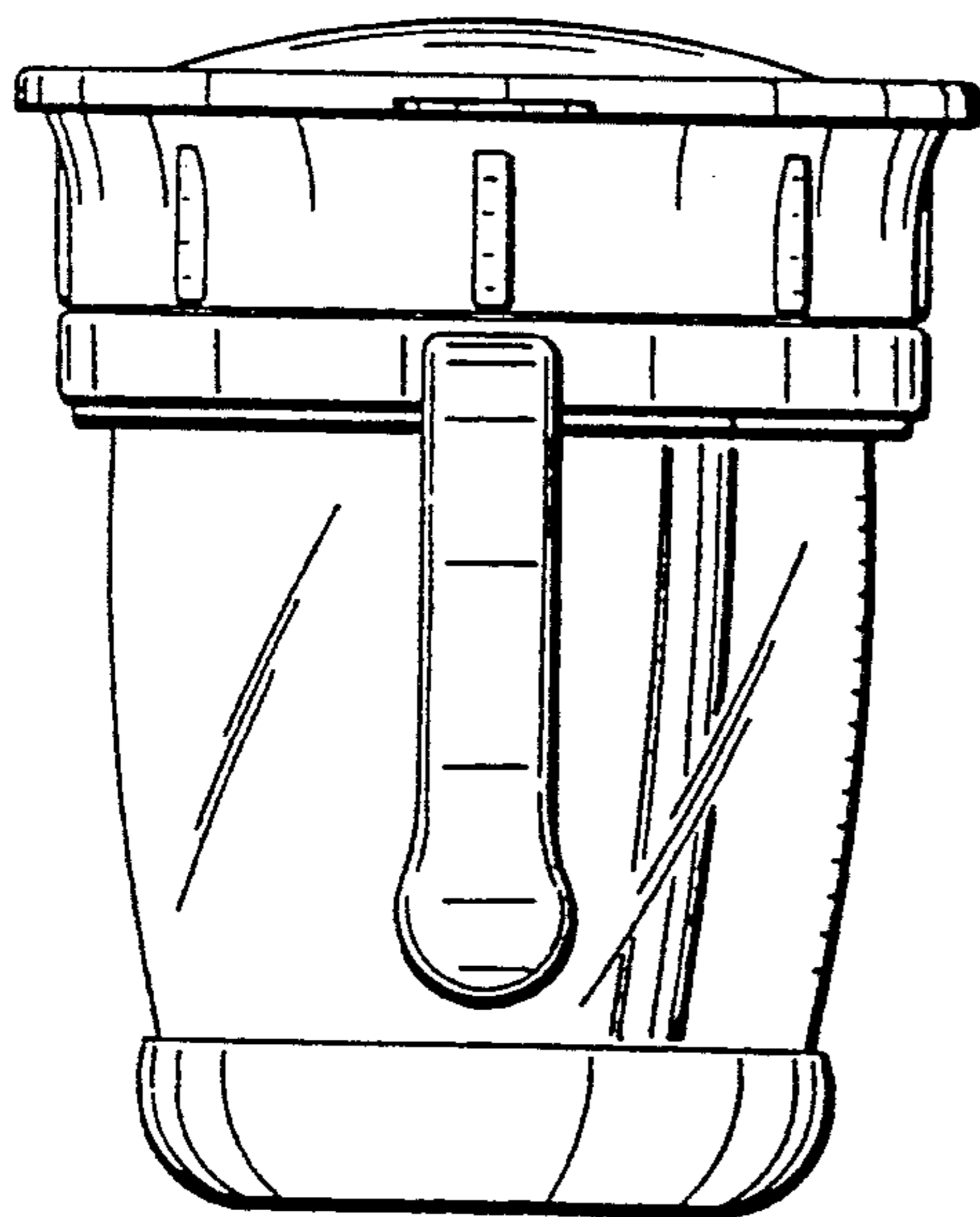


Fig. 15

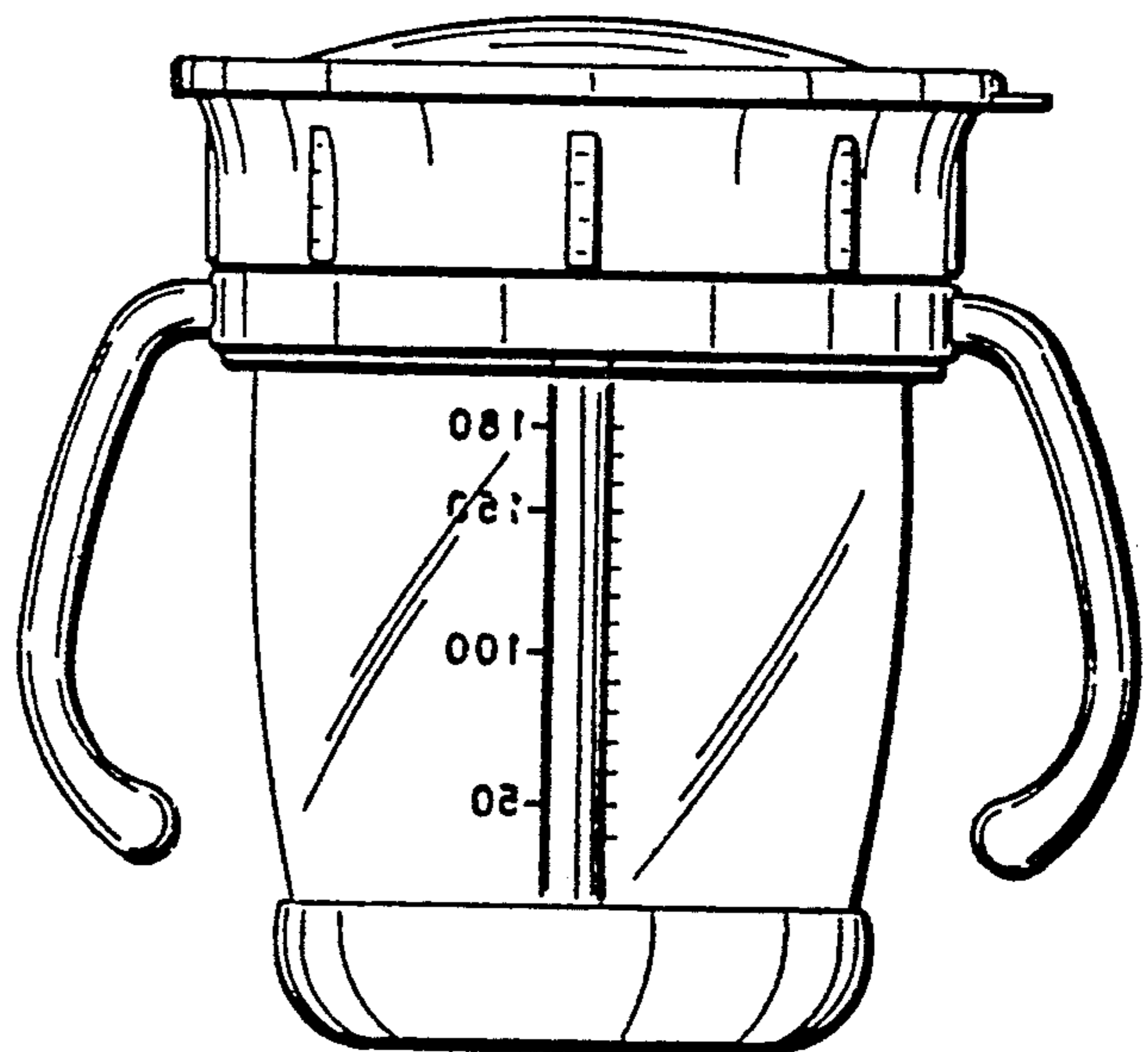


Fig. 16

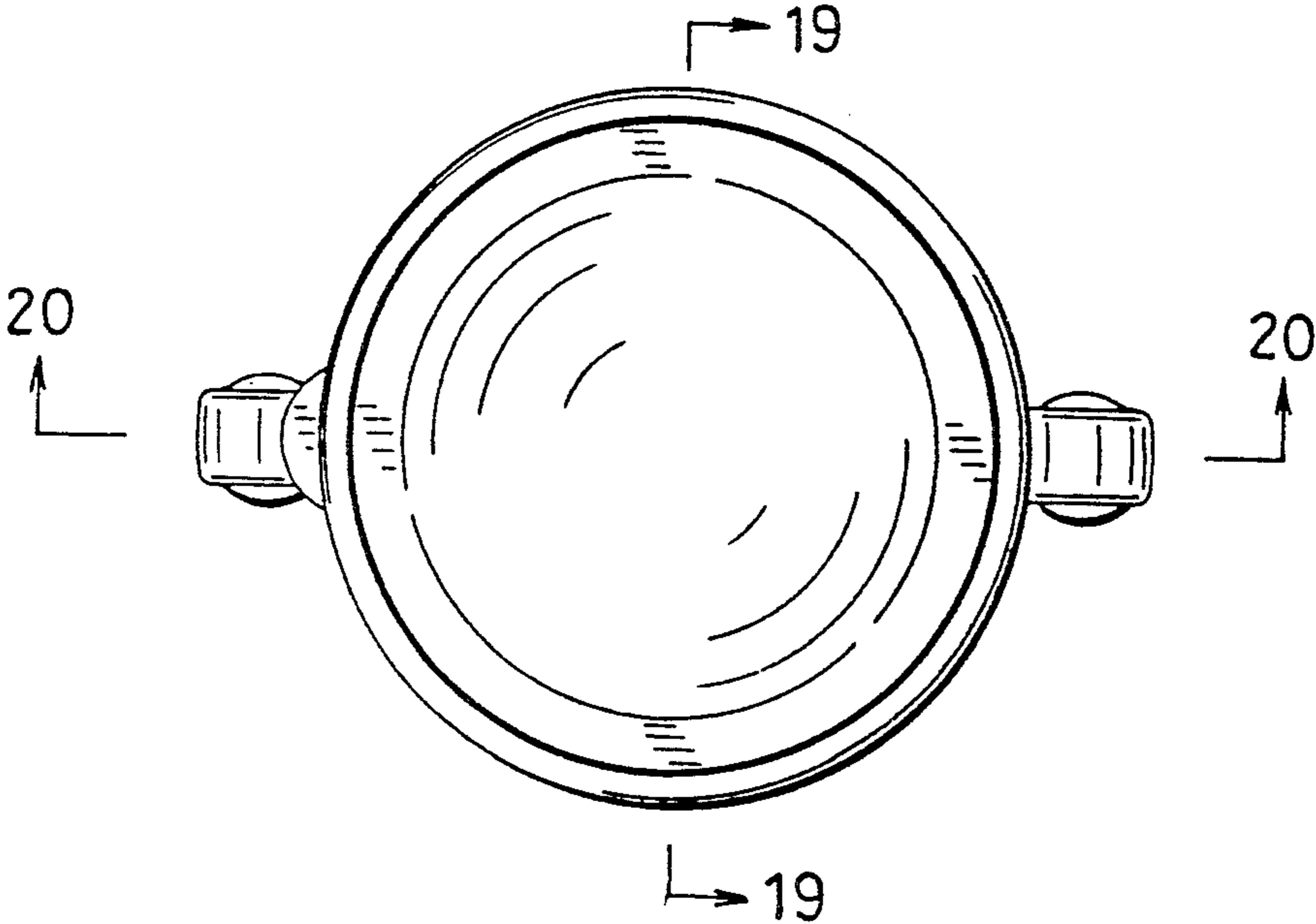


Fig. 17

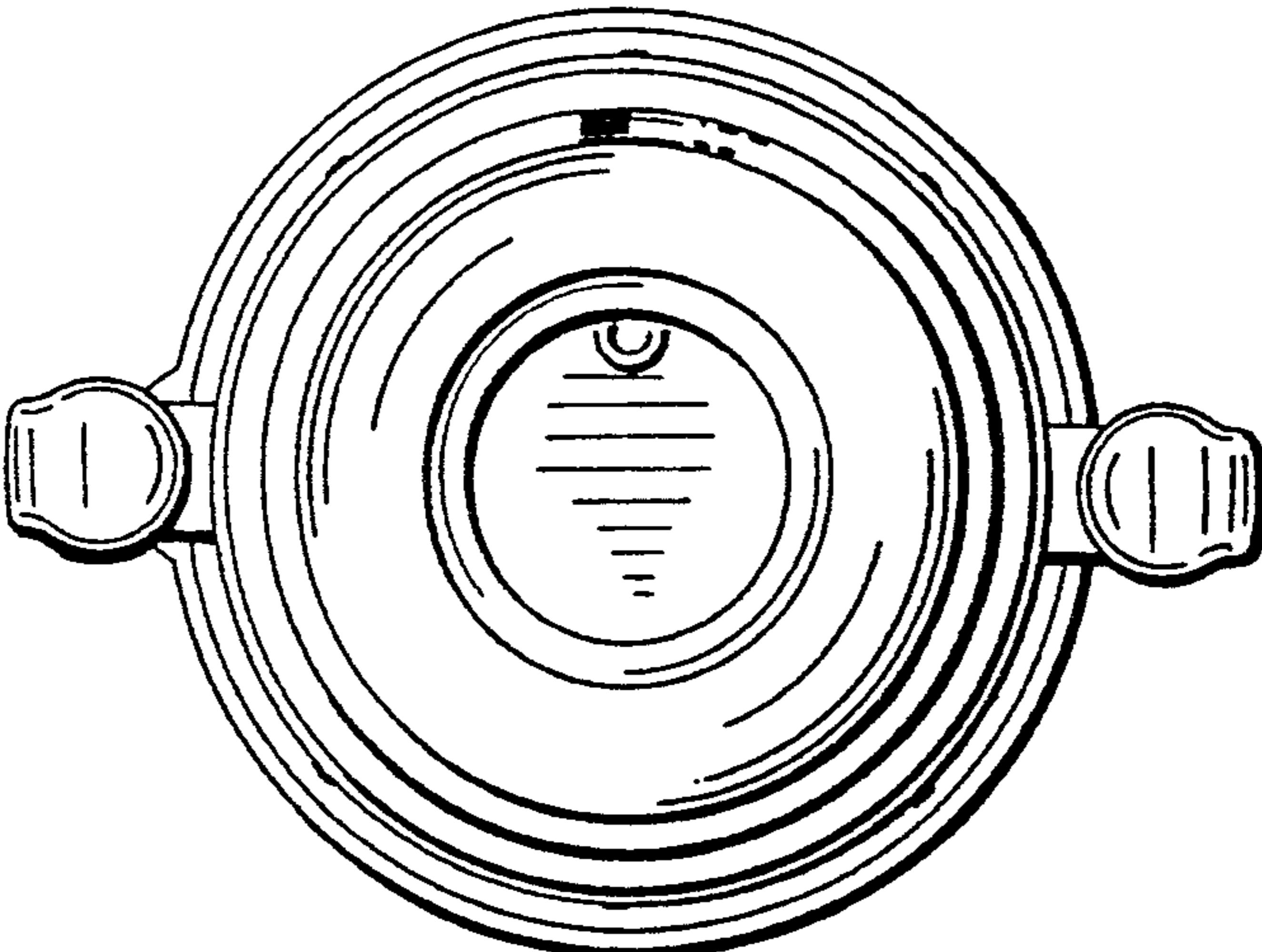


Fig. 18

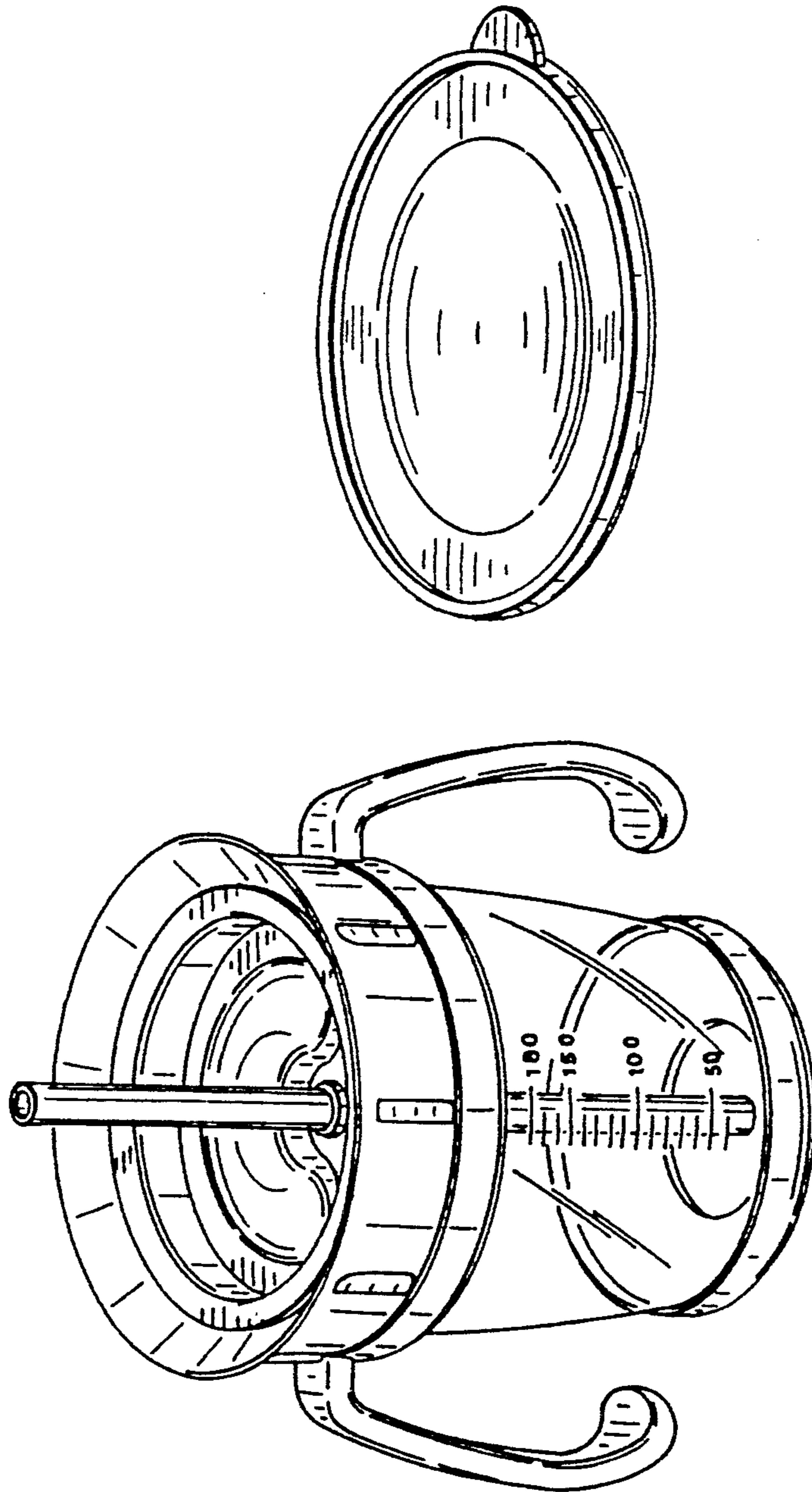


Fig. 19

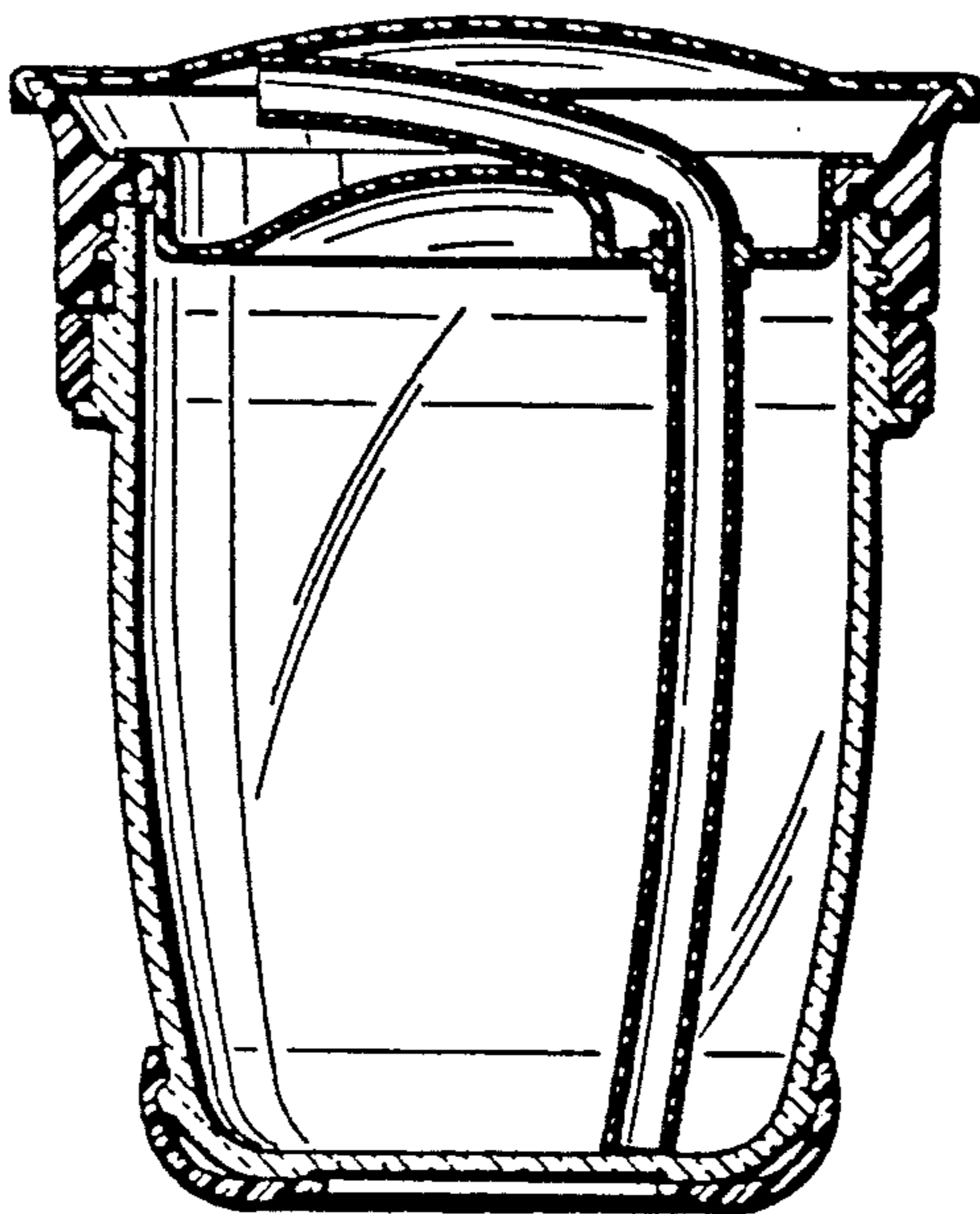


Fig. 20

