



US00D329350S

United States Patent [19]

[11] Patent Number: **Des. 329,350**

Jian

[45] Date of Patent: **** Sep. 15, 1992**

[54] **CORD LOCK FOR A VENETIAN BLIND LIFT CORD**

4,476,909	10/1984	Anderle et al.	160/178.2
4,509,233	4/1985	Shaw	24/136 R
4,627,762	12/1986	Scotti	24/136 R
4,930,193	6/1990	Baker	24/130 X

[76] Inventor: **Be-Suo Jian**, No. 32-1, Hsin Sheng Road, Fu Pao Hs'un, Fu Hsin Hsiang, Changhua Hsien, Taiwan

Primary Examiner—Nelson C. Holtje
Assistant Examiner—Janice E. Seeger
Attorney, Agent, or Firm—Browdy and Neimark

[**] Term: **14 Years**

[21] Appl. No.: **423,162**

[57] **CLAIM**

The ornamental design for a cord lock for a venetian blind lift cord, as shown and described.

[22] Filed: **Oct. 18, 1989**

[52] U.S. Cl. **D6/580**

[58] Field of Search D6/491, 500-502, D6/577, 580, 581; 160/178.2; 24/115 M, 130, 136 R

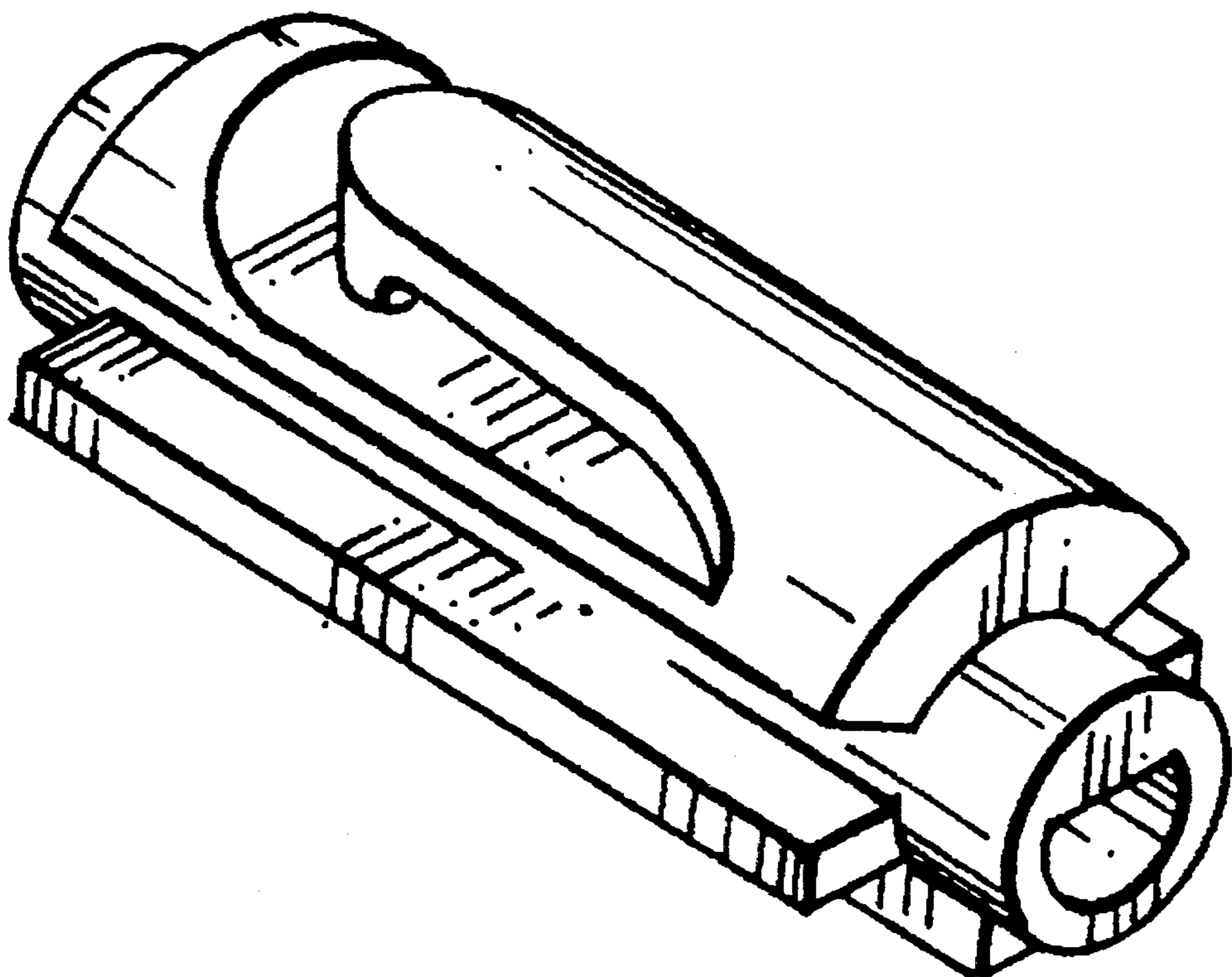
DESCRIPTION

FIG. 1 is a perspective view of a cord lock for a venetian blind lift cord, showing my new design; FIG. 2 is a front elevational view thereof; FIG. 3 is a rear elevational view thereof; FIG. 4 is a left end elevational view thereof; FIG. 5 is a right end elevational view thereof; FIG. 6 is a top plan view thereof; and, FIG. 7 is a bottom plan view thereof.

[56] **References Cited**

U.S. PATENT DOCUMENTS

269,399	12/1882	Ensign	24/130
828,765	8/1906	Nilsson	24/130
2,620,869	12/1952	Friedman	D6/577 X



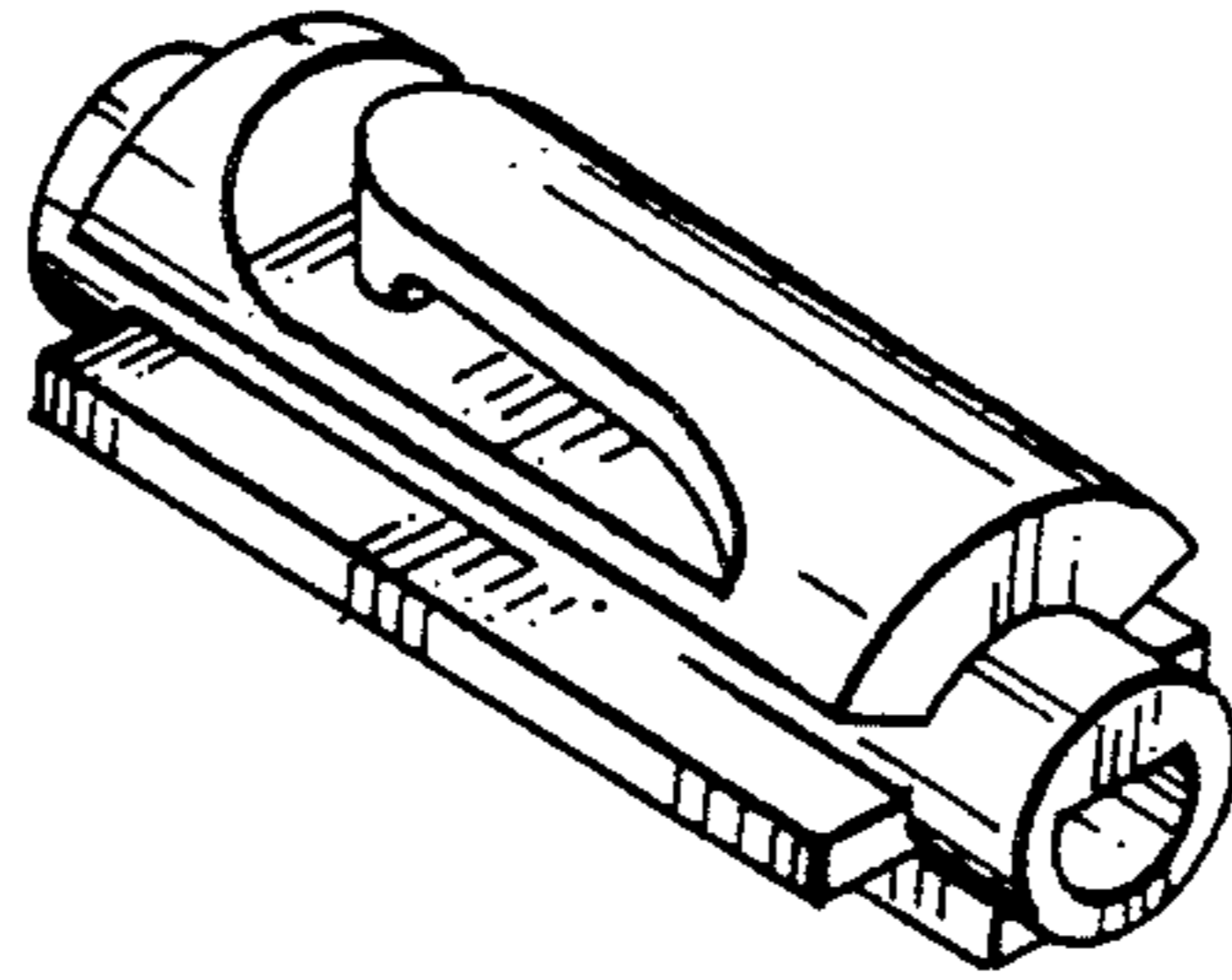


FIG. 1

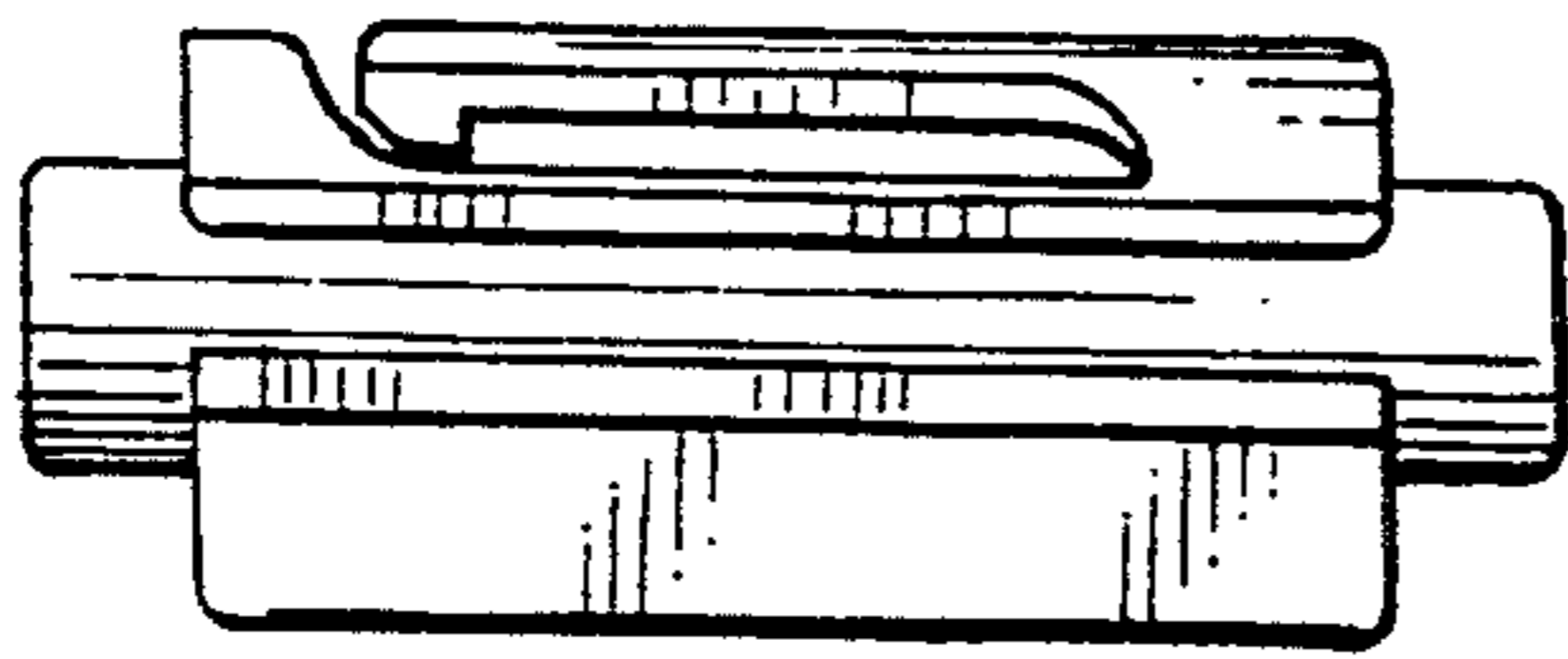


FIG. 2

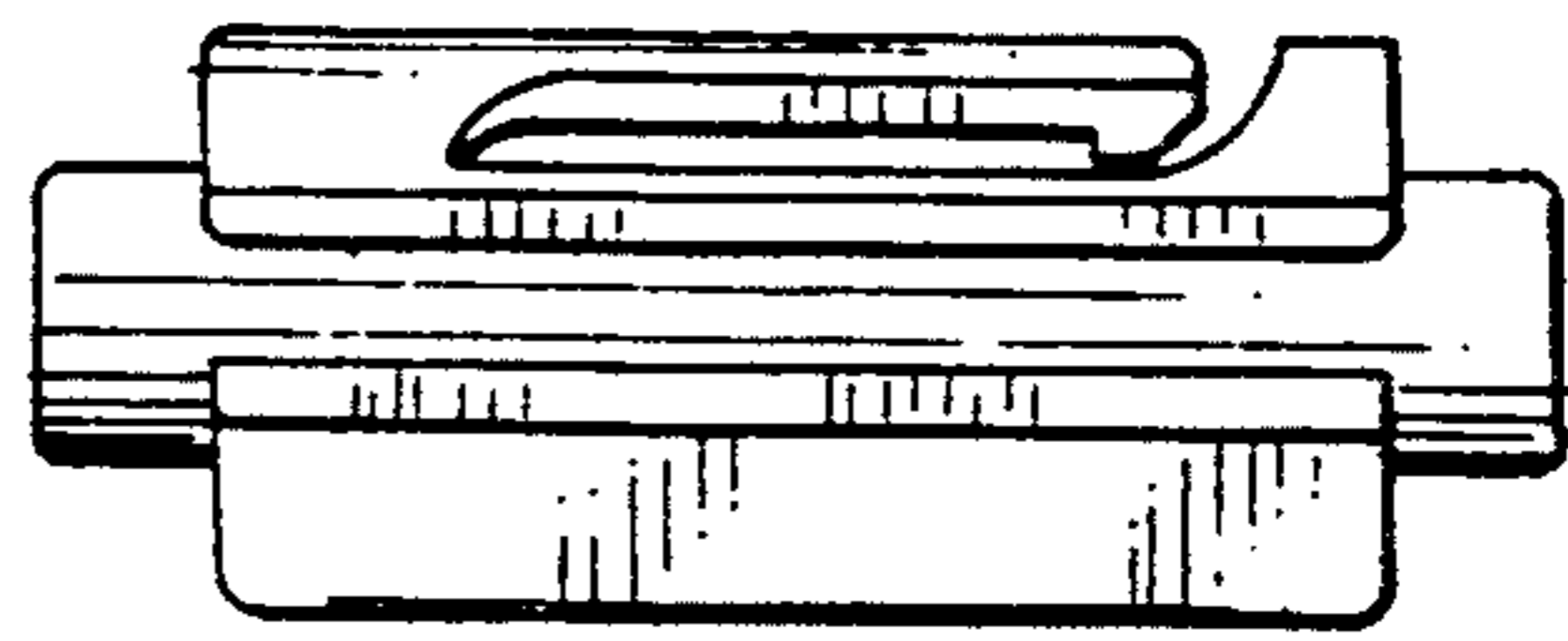


FIG. 3

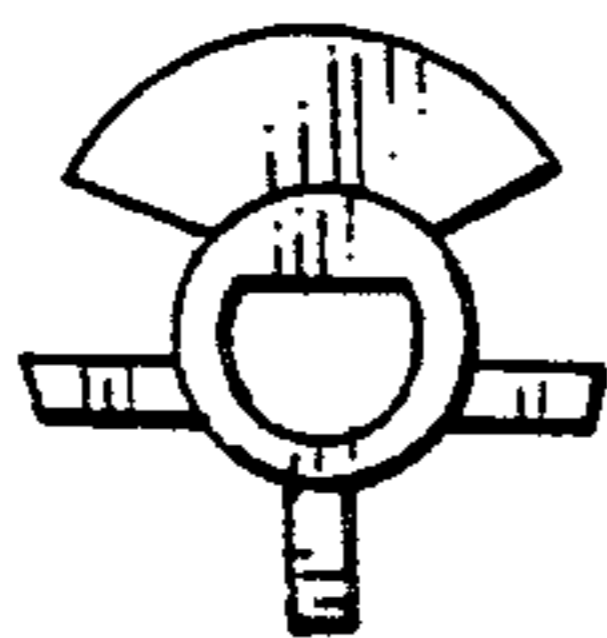


FIG. 4

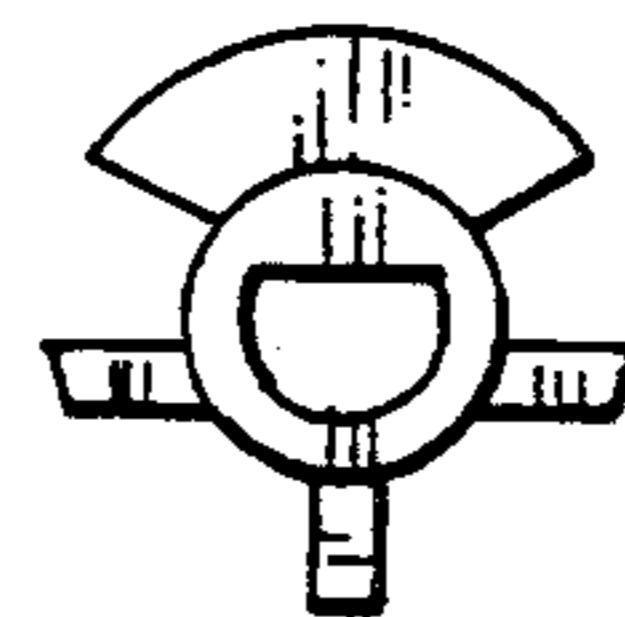


FIG. 5

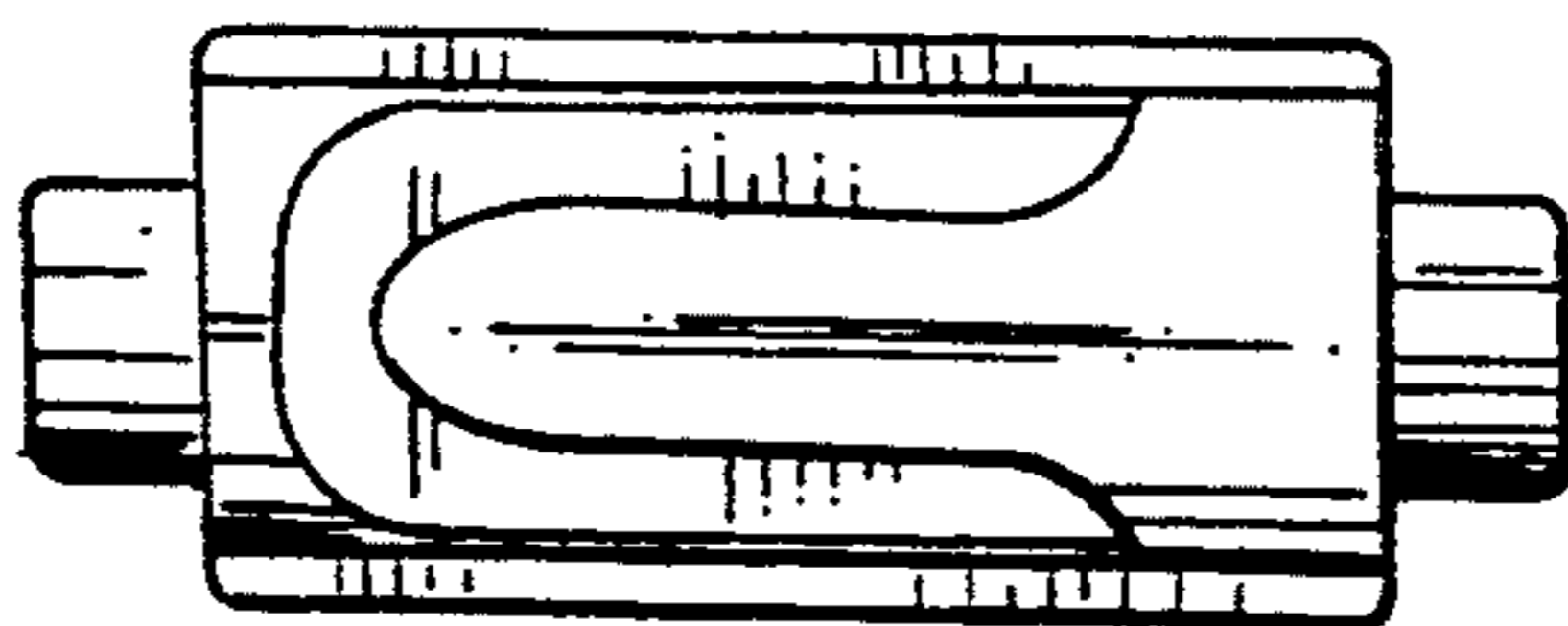


FIG. 6

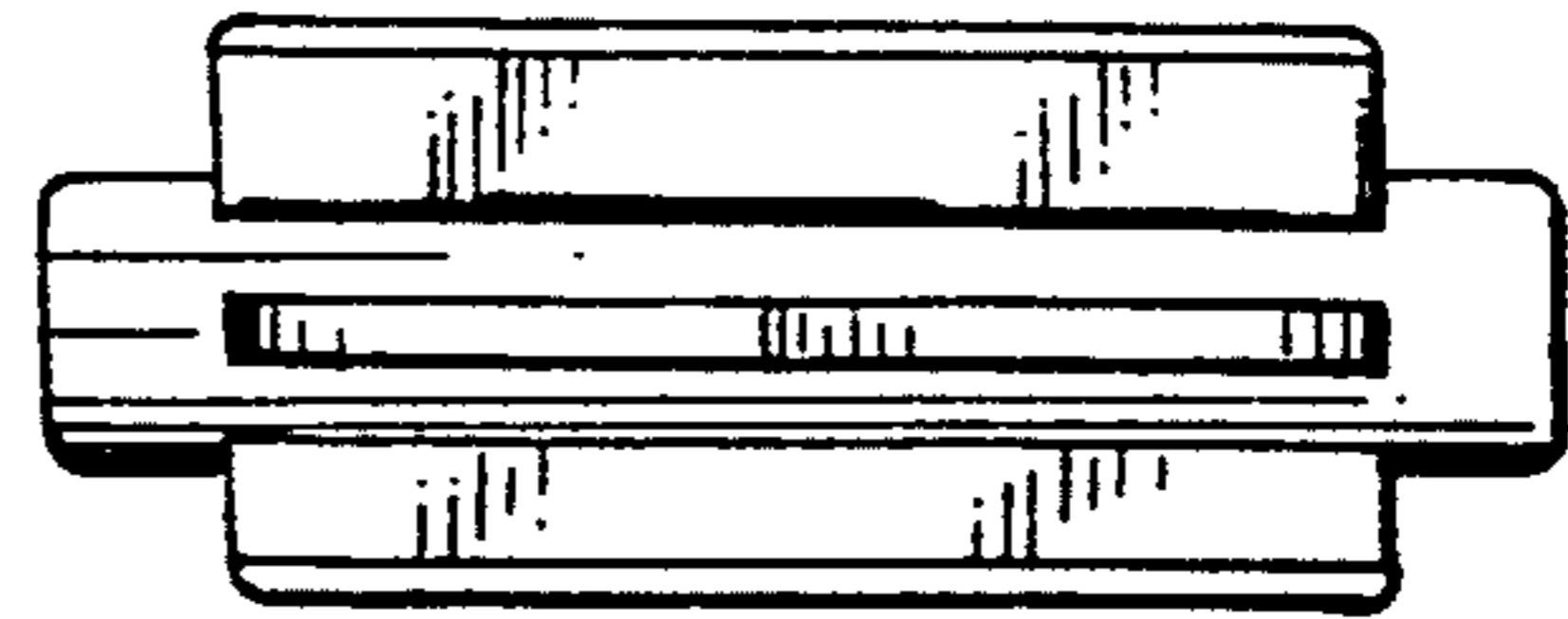


FIG. 7