



US00D329347S

United States Patent [19]

[11] Patent Number: **Des. 329,347**

Gomes

[45] Date of Patent: **** Sep. 15, 1992**

[54] TOWEL BAR

[75] Inventor: **Ricardo J. Gomes**, Santa Monica, Calif.

[73] Assignee: **Emhart Inc.**, Newark, Del.

[**] Term: **14 Years**

[21] Appl. No.: **511,491**

[22] Filed: **Apr. 19, 1990**

[52] U.S. Cl. **D6/549**

[58] Field of Search **D6/524-550;**
D8/300, 305, 307, 310, 312; 211/13, 16, 87,
105.1, 123, 124; 242/55.2, 55.3, 55.42, 55.54;
248/251

[56] **References Cited**

U.S. PATENT DOCUMENTS

D. 42,459	5/1912	Farr	D6/546
D. 74,422	2/1928	Frolking	D6/549
D. 286,963	12/1986	Waghorn	D6/549
D. 289,753	7/1981	Fleischmann et al.	D6/549
D. 290,494	6/1987	Dragos	D8/310 X
D. 290,577	6/1987	Belaiche et al.	D8/305
D. 291,477	8/1987	Lathrop	D8/310 X
D. 291,824	9/1987	Lathrop	D8/310 X
D. 299,099	12/1988	Gresens et al.	D6/550
D. 301,681	6/1989	Jans	D8/310 X
2,956,767	10/1960	Unetic	248/251

OTHER PUBLICATIONS

Balcrank Cat. (1963) p. 4 "Plastic Hand Wheel".

Faries Cat. (1948) Chrome Towel Rod #5022.
Baldwin Bath Cat. (Aug. 1987) p. 4 "Dallas" Towel Rod #3221-030.

Primary Examiner—Brian N. Vinson
Attorney, Agent, or Firm—J. Bruce Hoofnagle

[57] **CLAIM**

The ornamental design for a towel bar, as shown and described.

DESCRIPTION

FIG. 1 is a top plan view of a towel bar showing my new design, the bottom being a mirror image of that shown;

FIG. 2 is a front elevational view thereof;

FIG. 3 is a right side elevational view thereof, the left side being a mirror image of that shown;

FIG. 4 is a top plan view of a second embodiment thereof, the bottom being a mirror image of that shown;

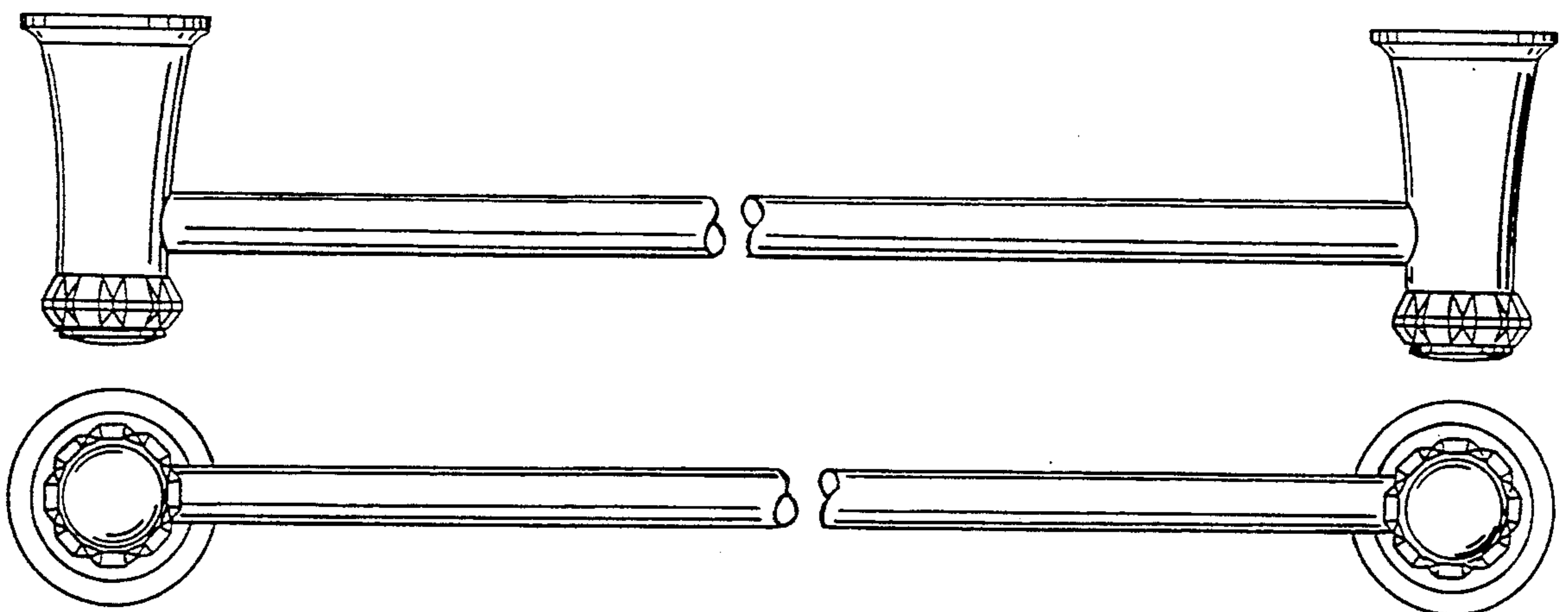
FIG. 5 is a front elevational view of the embodiment of FIG. 4;

FIG. 6 is a right side elevational view of the embodiment of FIG. 4, the left side being a mirror image of that shown;

FIG. 7 is a top plan view of a third embodiment thereof, the bottom being a mirror image of that shown;

FIG. 8 is a front elevational view of the embodiment of FIG. 7; and,

FIG. 9 is a right side elevational view of the embodiment of FIG. 7, the left side being a mirror image of that shown.



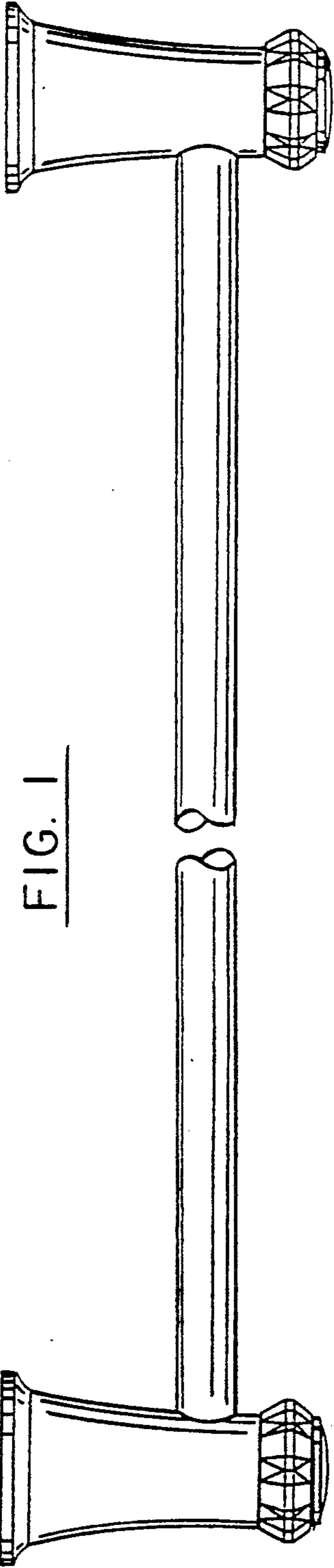


FIG. 1

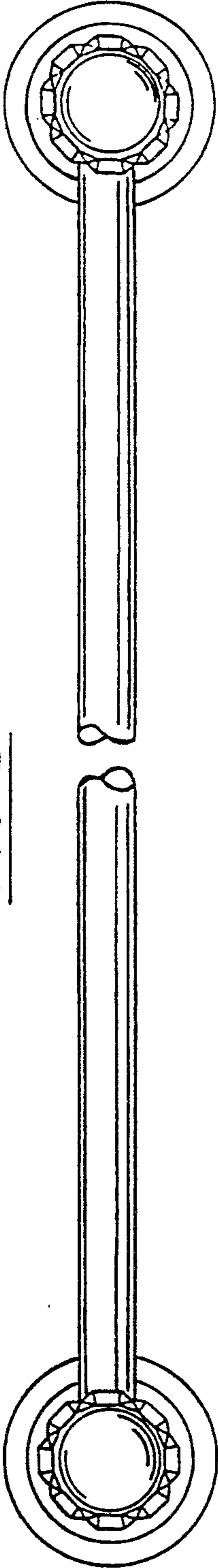
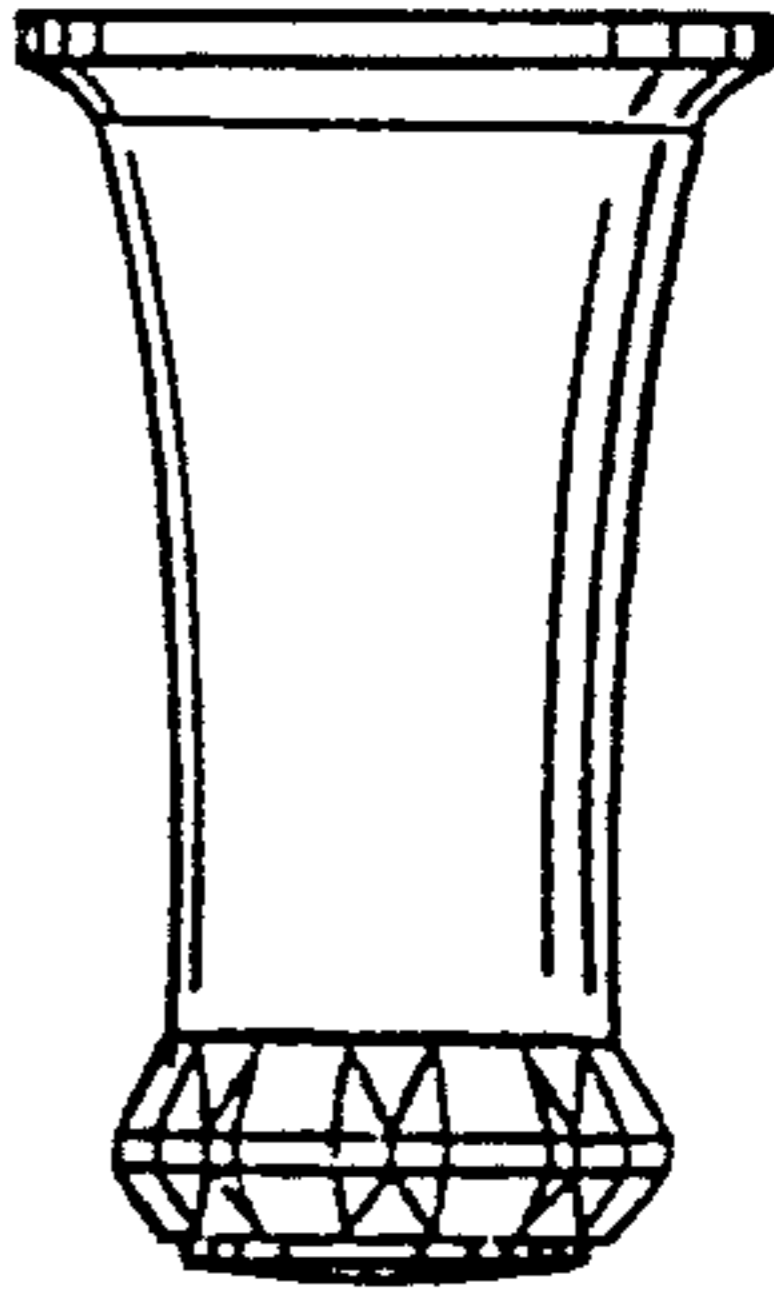


FIG. 2

FIG. 3



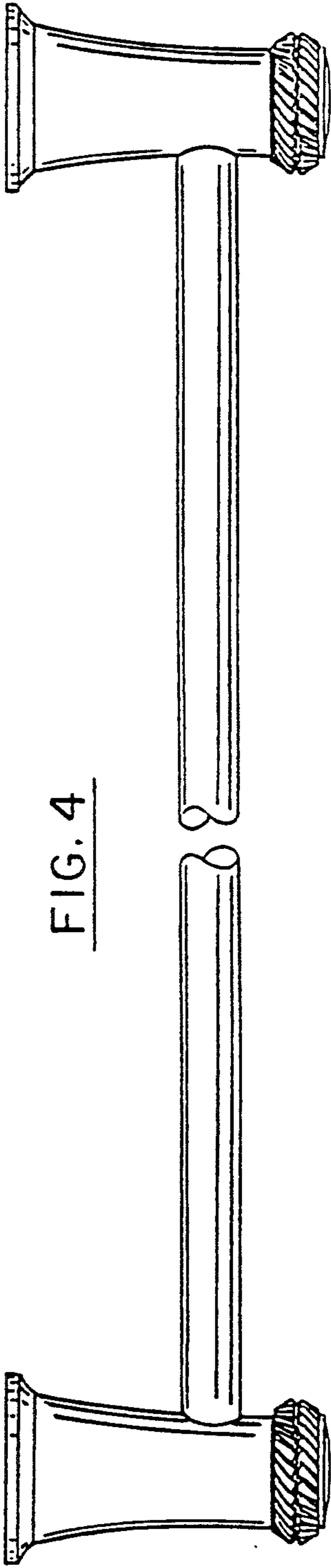


FIG. 4

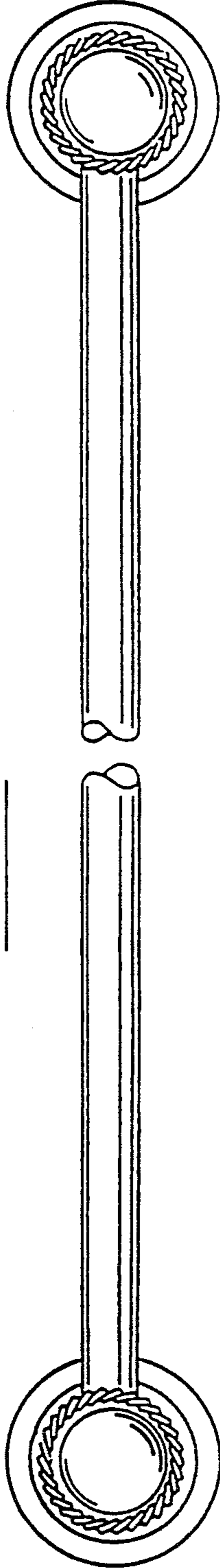


FIG. 5

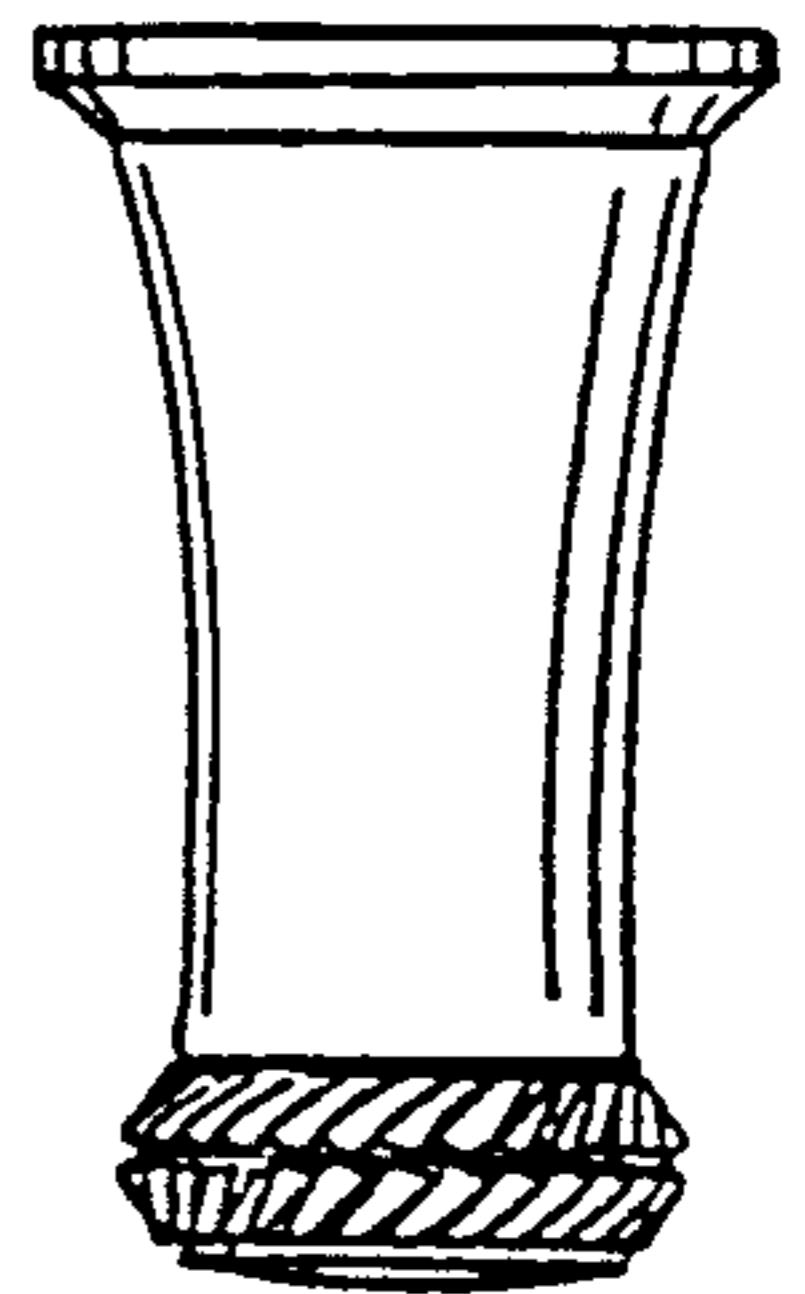


FIG. 6

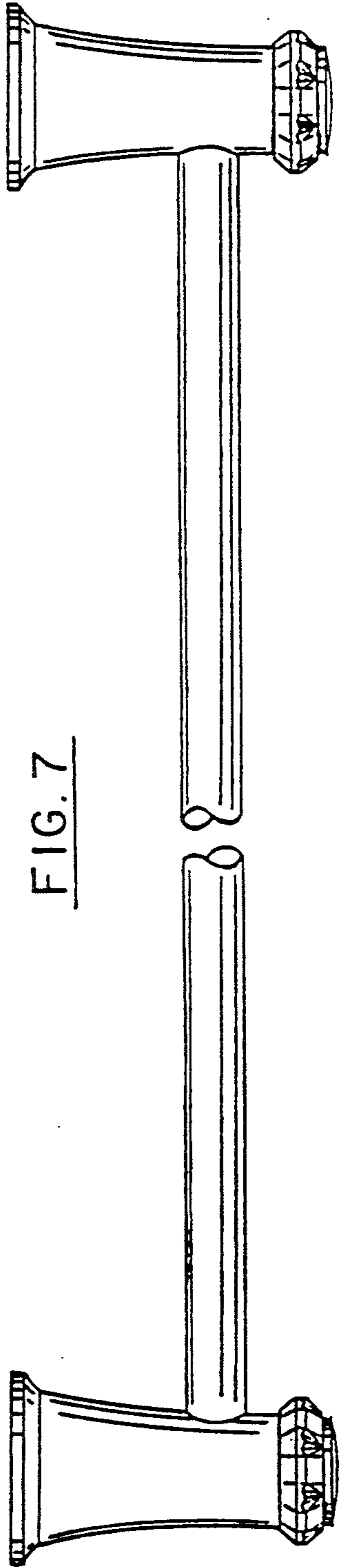


FIG. 7

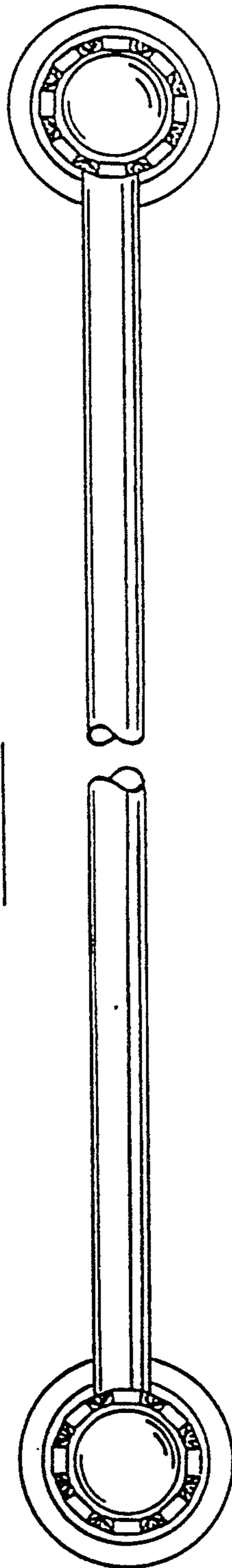


FIG. 8

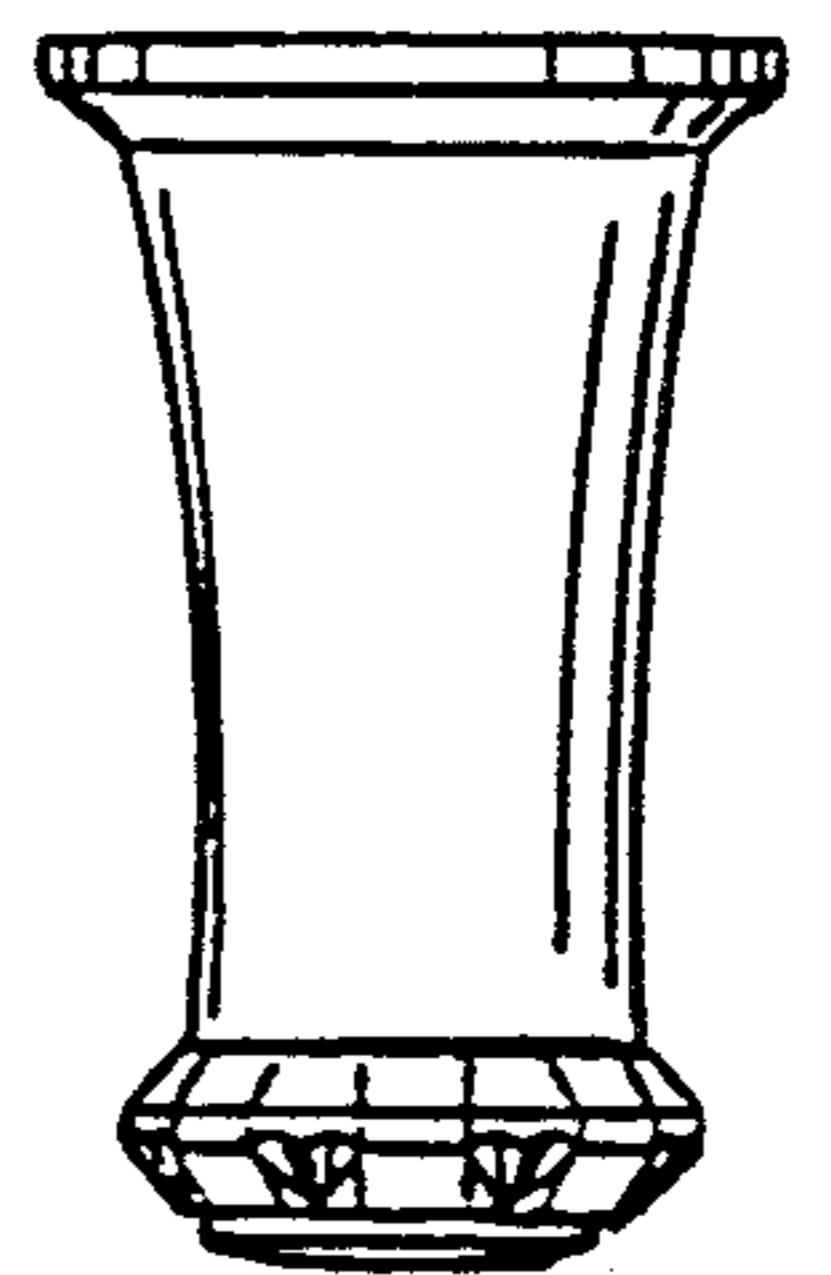


FIG. 9