



US00D329343S

United States Patent [19] Oldorf

[11] Patent Number: **Des. 329,343**

[45] Date of Patent: **** Sep. 15, 1992**

- [54] **SIX COLUMN COUNTER DISPLAY**
- [76] Inventor: **Dennis L. Oldorf**, 8178 Round Hills Cir., Las Vegas, Nev. 89113
- [*] Notice: The portion of the term of this patent subsequent to Jul. 21, 2009 has been disclaimed.
- [**] Term: **14 Years**
- [21] Appl. No.: **481,464**
- [22] Filed: **Feb. 15, 1990**
- [52] U.S. Cl. **D6/515; D6/396; D6/408; D6/445; D6/449; D6/512; D6/517; 221/92**
- [58] Field of Search **D6/436, 408, 411, 415, D6/422, 432, 438, 444, 448, 446; 312/57.1, 71, 278; 221/92**

D. 252,434	7/1949	Wright	D6/408
D. 260,955	9/1981	Schaler et al.	D6/408
D. 280,581	9/1985	Altadonna	D6/445 X
D. 309,224	7/1990	Rabin	D6/408
D. 316,638	5/1991	Oldorf	D6/408
3,184,104	5/1965	DeDomenico et al.	221/92
4,767,022	8/1988	Oldorf	221/92
4,807,779	2/1989	Clapper	221/92

FOREIGN PATENT DOCUMENTS

1187388	4/1970	United Kingdom	221/92
2026984	2/1980	United Kingdom	221/92

Primary Examiner—Donald P. Walsh
Assistant Examiner—Monica A. Hannon
Attorney, Agent, or Firm—Allan L. Harms

[57] CLAIM

The ornamental design for a six column counter display, as shown and described.

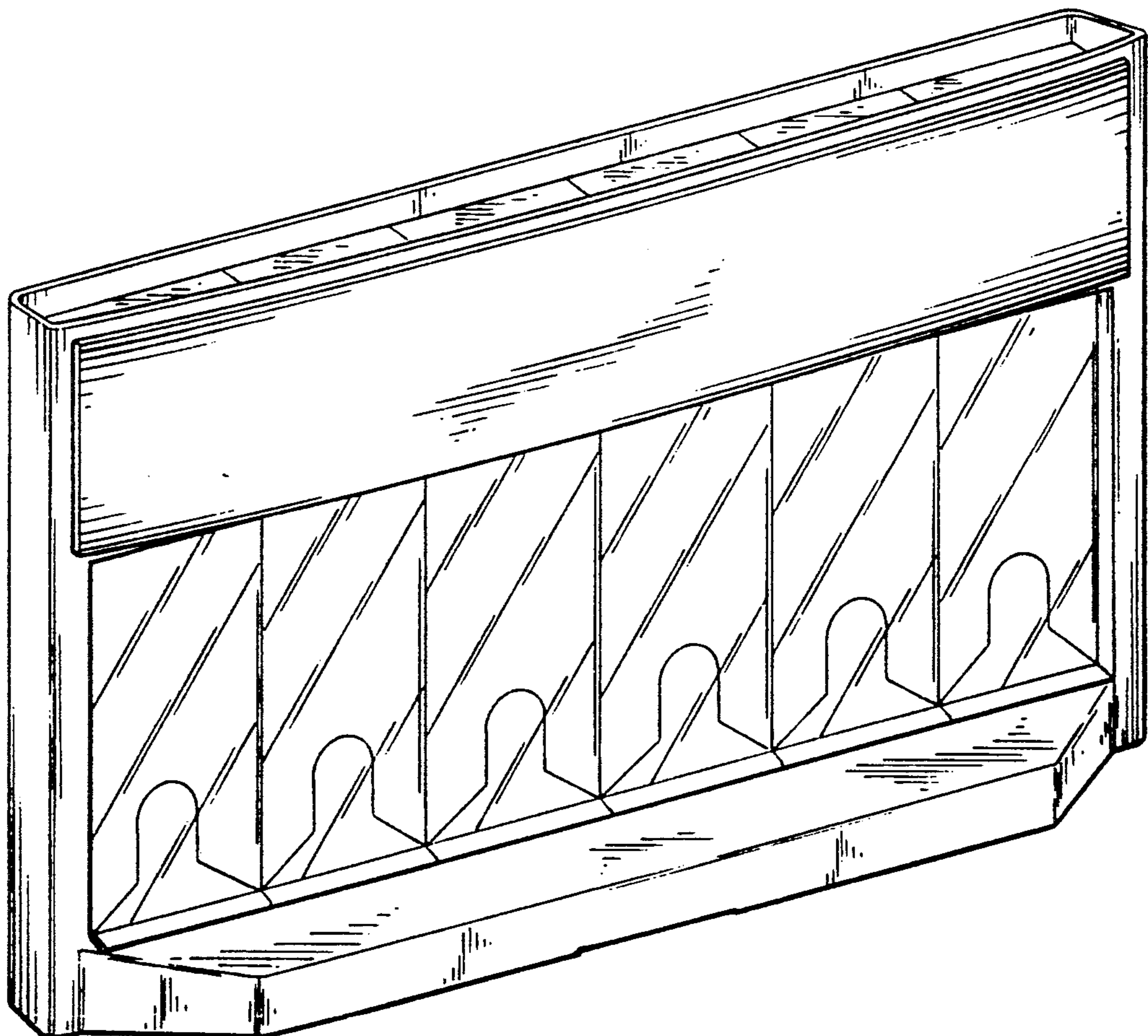
DESCRIPTION

FIG. 1 is a front perspective view of a six column counter display showing my new design; and, FIG. 2 is a rear perspective view thereof. The side of the article not shown is a mirror image of the side shown.

[56] References Cited

U.S. PATENT DOCUMENTS

D. 128,778	8/1941	Gerber	D6/408
D. 151,988	12/1948	Hayman	D6/408 X
D. 157,345	12/1948	Cook	D6/408
D. 214,218	5/1969	Resnick	D6/408
D. 229,998	1/1974	Kleinman	D6/408



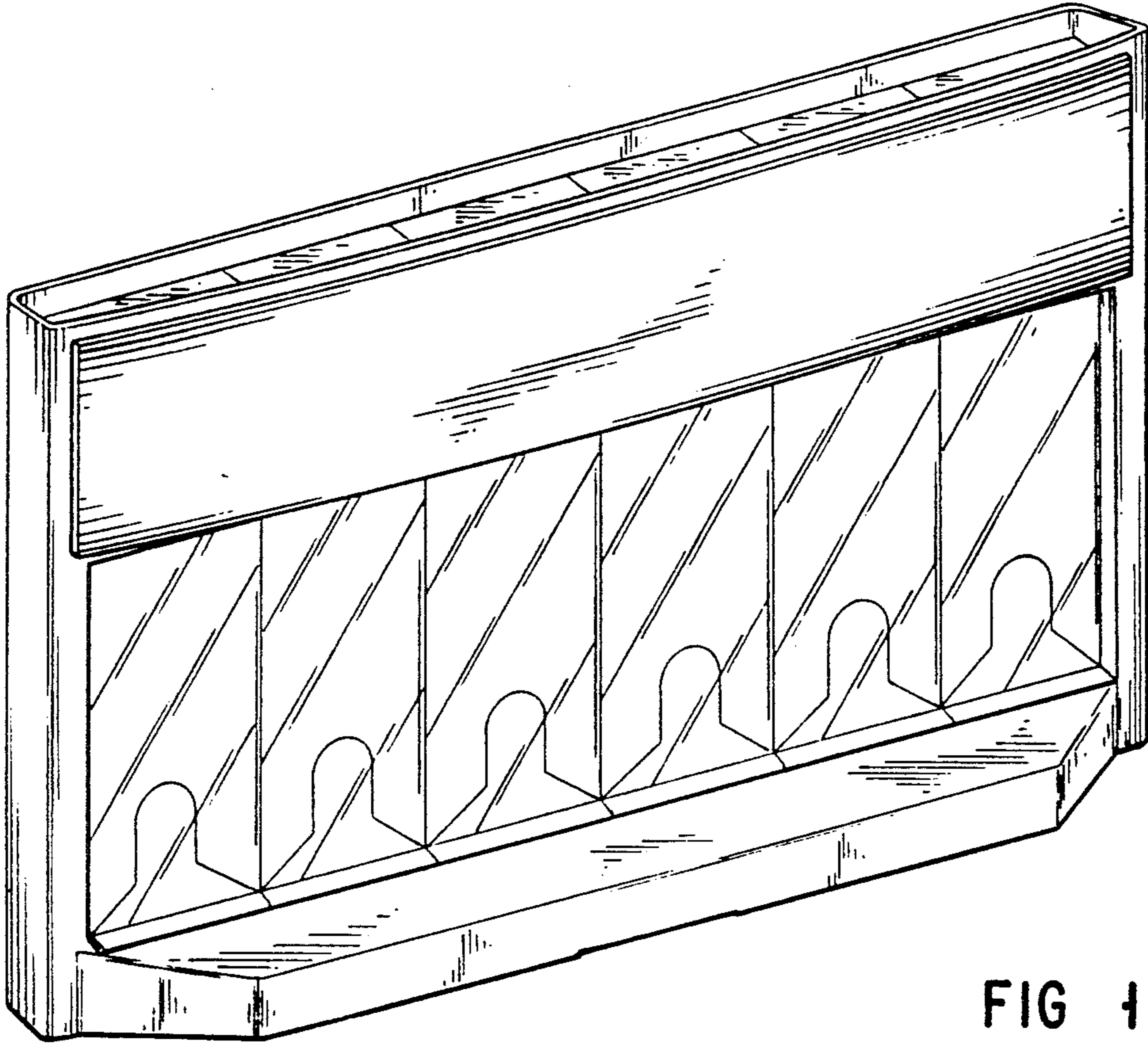


FIG 1

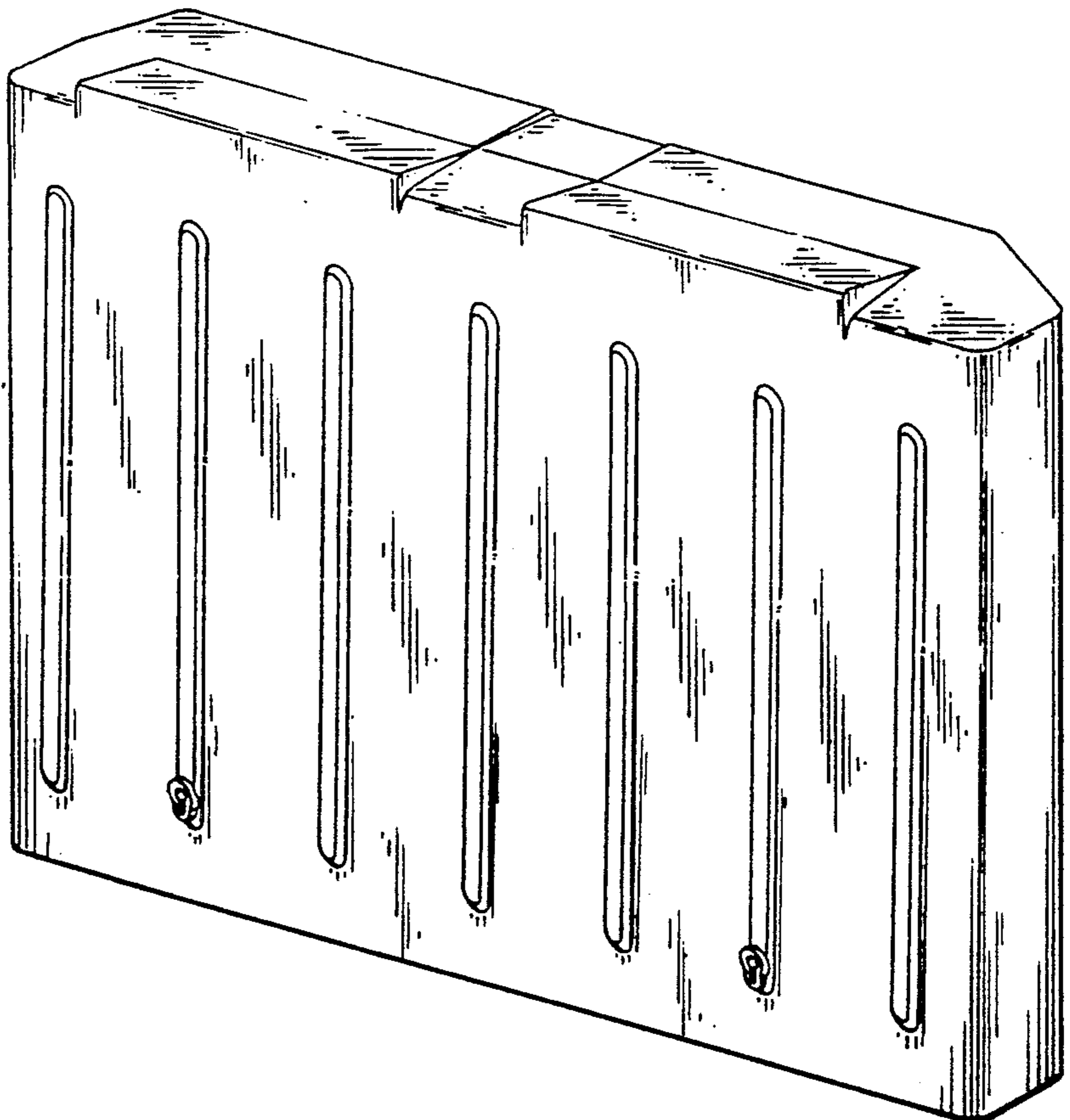


FIG 2