



US00D329341S

United States Patent [19]

[11] Patent Number: **Des. 329,341**

Rhodes

[45] Date of Patent: **** Sep. 15, 1992**

- [54] **EARRING CAROUSEL**
- [76] Inventor: **Flora B. Rhodes**, 3929 Maple St.,
Ventura, Calif. 93003
- [**] Term: **14 Years**
- [21] Appl. No.: **605,182**
- [22] Filed: **Oct. 29, 1990**
- [52] U.S. Cl. **D6/457; D6/458;**
D6/469
- [58] Field of Search **D6/346, 449, 411-415,**
D6/455, 457-461, 462, 467, 469; 211/40, 163,
13; 206/495, 566; D3/75

- 4,101,037 7/1978 Allesch .
- 4,141,453 2/1979 Hanan .
- 4,322,007 3/1982 Feibelman .
- 4,420,084 12/1983 Whelan .
- 4,424,904 1/1984 Applegate, Jr. 211/40
- 4,463,856 8/1984 Strasser .
- 4,838,625 6/1989 Taylor .
- 4,850,658 7/1989 Sandor .

OTHER PUBLICATIONS

Counter Display Fixtures Catalog; item R10/3012.

Primary Examiner—Donald P. Walsh
Assistant Examiner—Jeffrey Asch
Attorney, Agent, or Firm—Kenneth J. Hovet

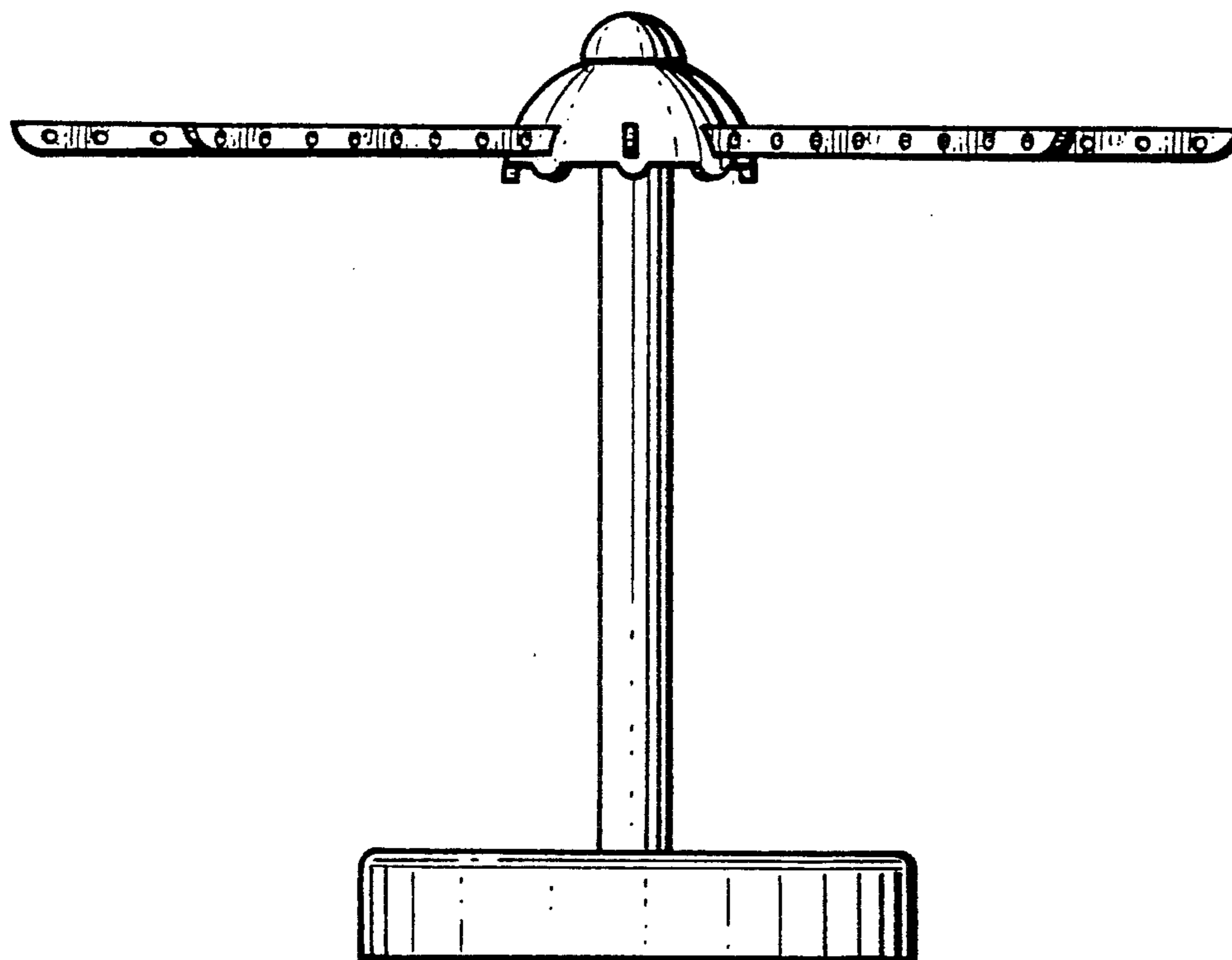
[56] **References Cited**
U.S. PATENT DOCUMENTS

- D. 95,797 6/1935 Berger D6/458 X
- D. 122,170 8/1940 McCann D6/458 X
- D. 152,529 2/1949 Halpern D6/415
- D. 166,425 4/1952 Stolz D6/415
- D. 220,046 3/1971 Pascarella et al. D6/458
- D. 220,298 3/1971 Naglowsky D6/455 X
- D. 241,192 8/1976 Salcer D6/415
- D. 290,196 6/1987 Miller D6/415
- 2,565,700 8/1951 Schiller .
- 3,204,779 9/1965 Warner .
- 3,997,050 12/1976 Patterson .
- 4,058,356 11/1977 Michal .
- 4,093,077 6/1978 Strasser .

[57] **CLAIM**
 The ornamental design for an earring carousel, as shown and described.

DESCRIPTION

FIG. 1 is a typical side elevational view of an earring carousel showing my new design; FIG. 2 is a top plan view thereof; FIG. 3 is a bottom plan view thereof; FIG. 4 is a slightly enlarged cross-sectional view thereof, taken along lines 4-4 of FIG. 2; and, FIG. 5 is a typical side elevational view of a second embodiment of the earring carousel of FIG. 1, the top plan view being the same in appearance as FIG. 2.



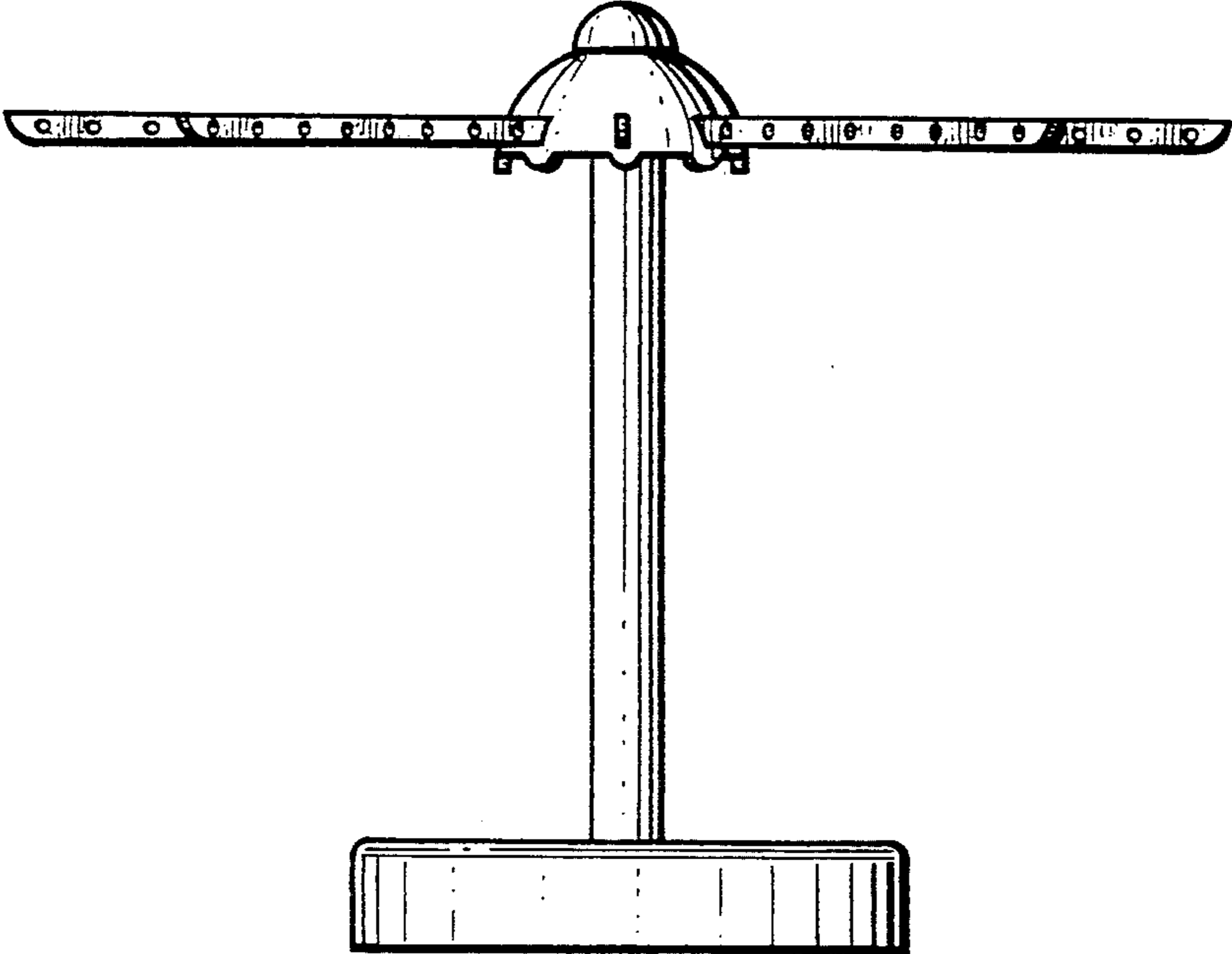


Fig. 1.

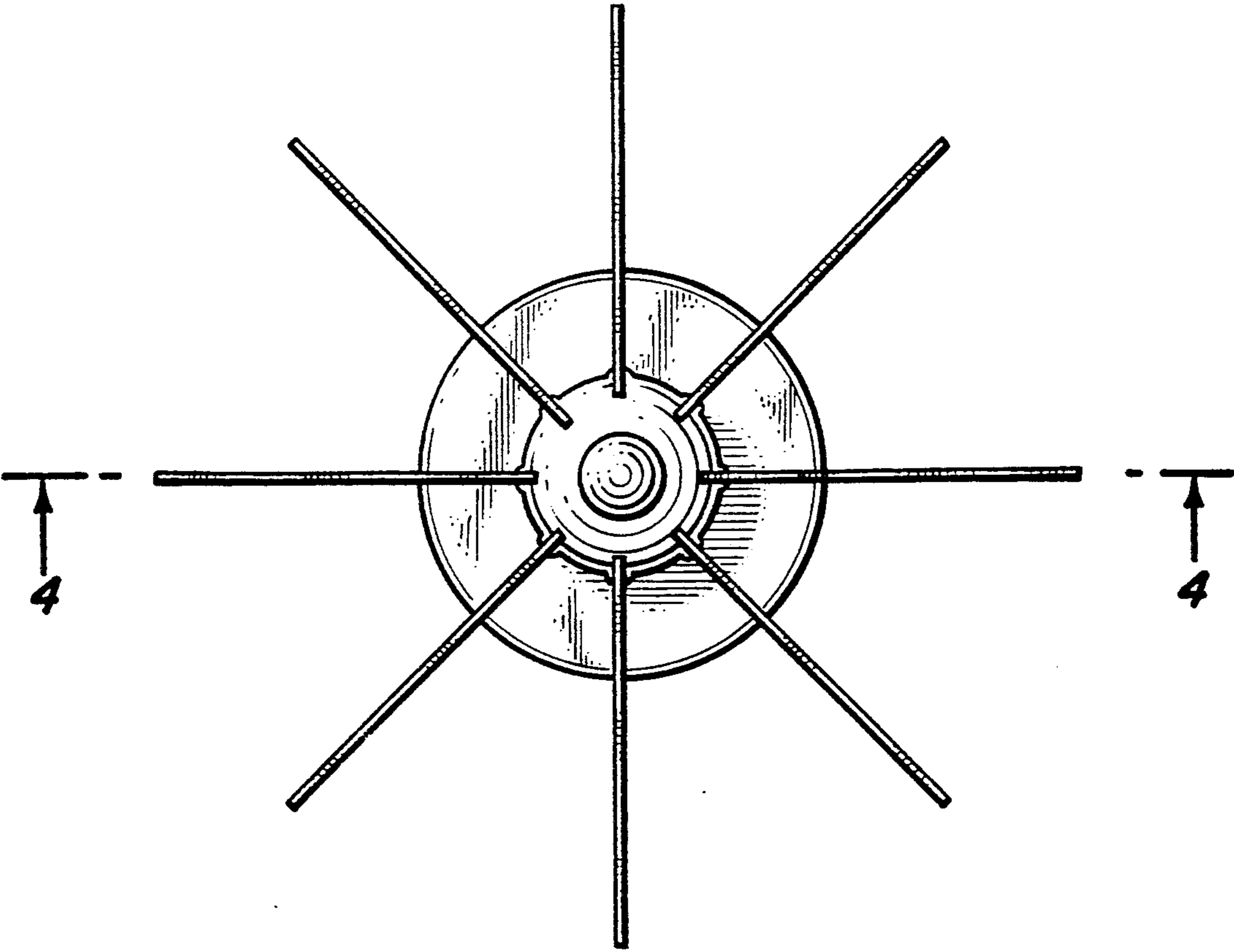


Fig. 2.

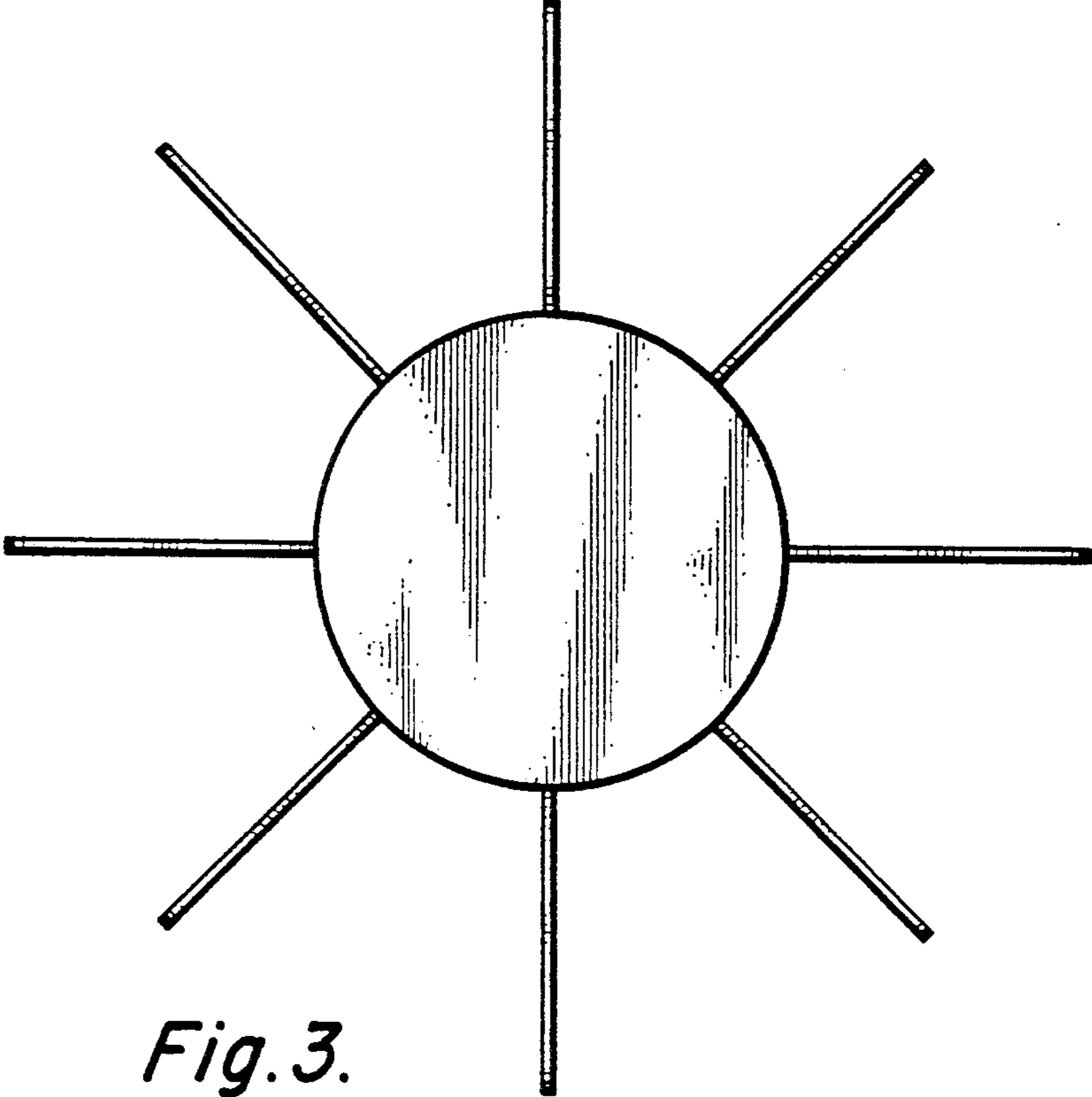


Fig. 3.

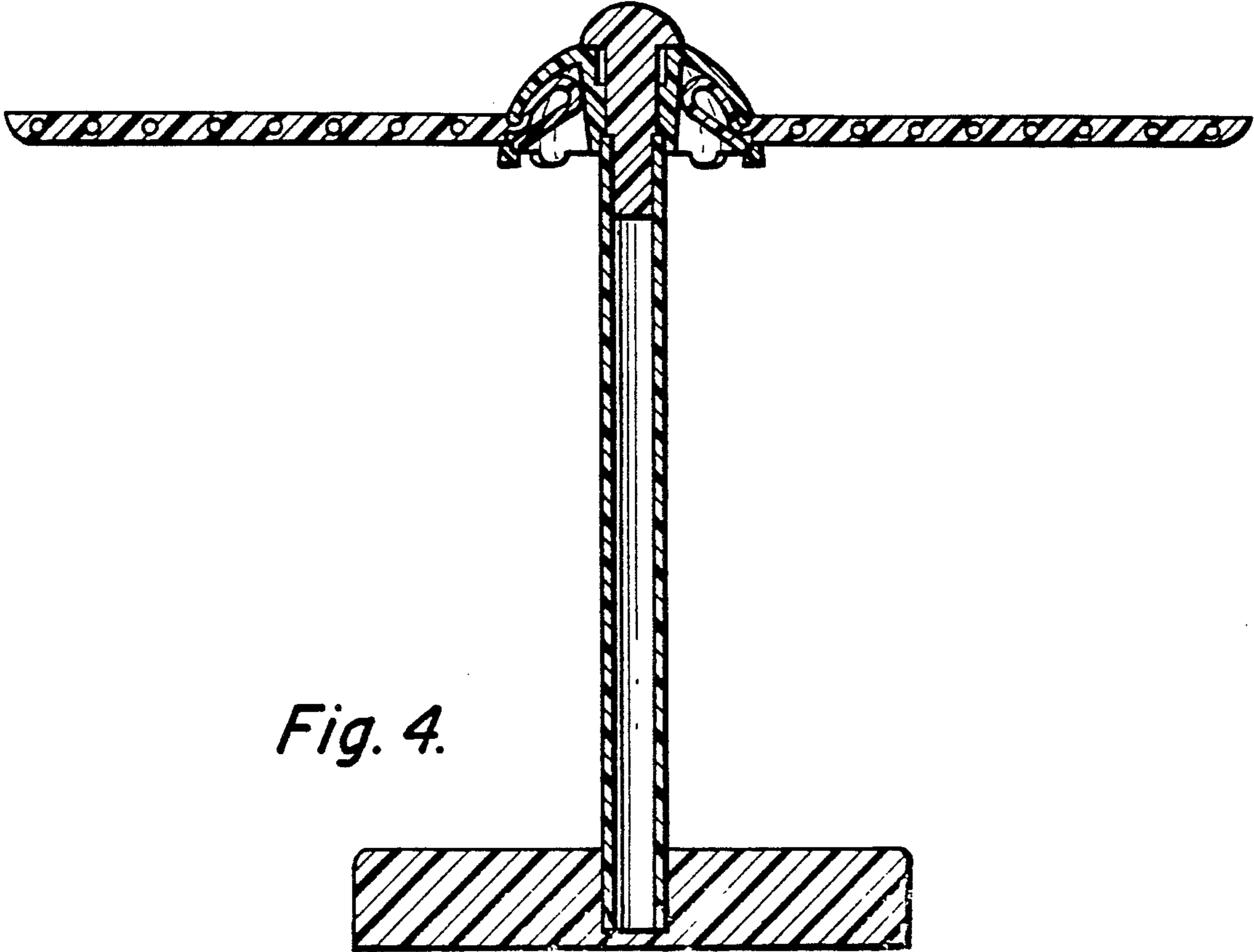


Fig. 4.

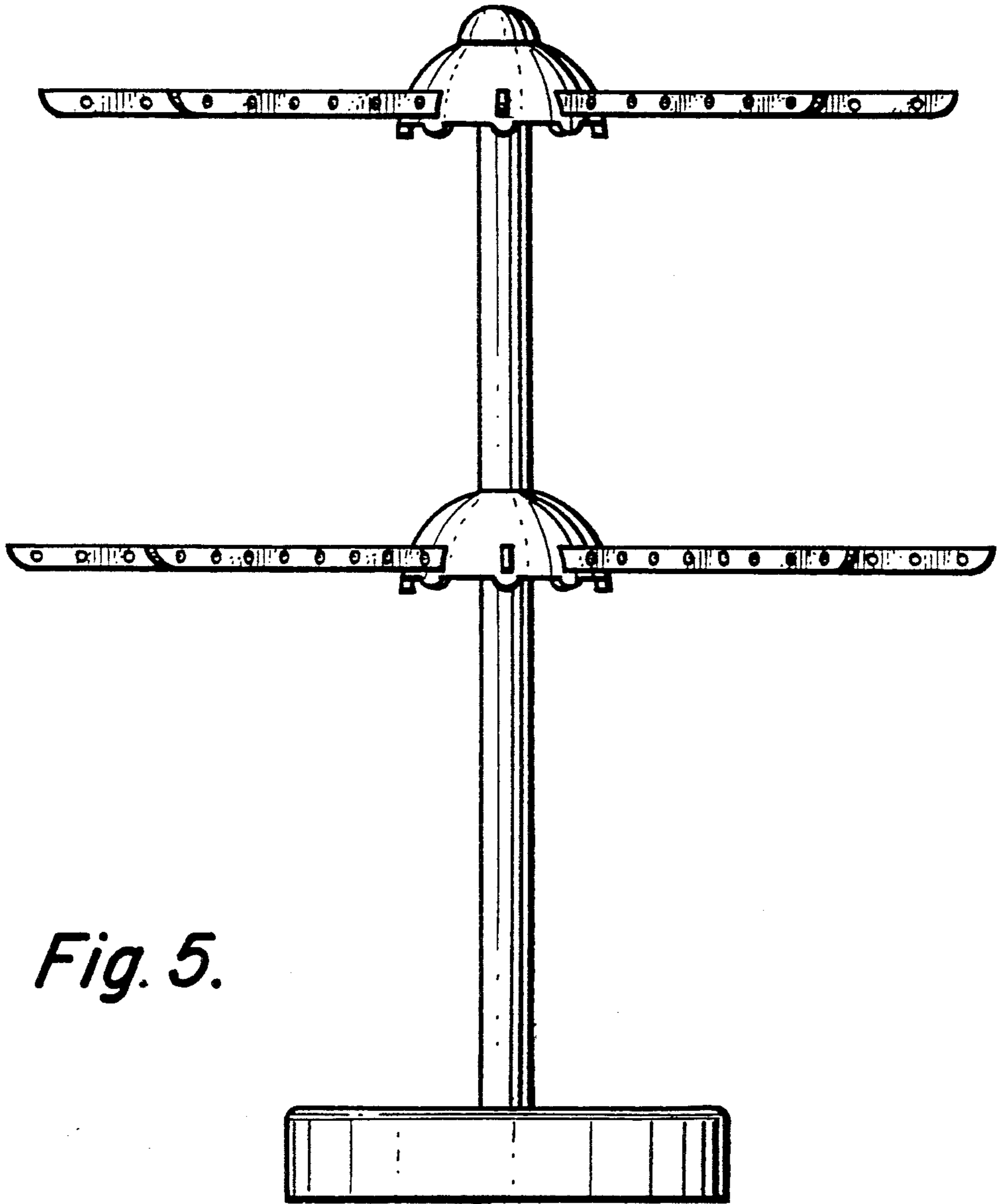


Fig. 5.