



US00D329335S

United States Patent [19]

[11] Patent Number: **Des. 329,335**

Komai et al.

[45] Date of Patent: **** Sep. 15, 1992**

[54] CHAISE LOUNGE

[76] Inventors: **Neil M. Komai**, 5019 Golden West, Temple City, Calif. 91780; **Joseph D. Ricchio, Jr.**, 7119 Mezzanine Way, Long Beach, Calif. 90808

[**] Term: **14 Years**

[21] Appl. No.: **379,535**

[22] Filed: **Jul. 13, 1989**

[52] U.S. Cl. **D6/361**

[58] Field of Search **D6/334, 360, 361, 368, D6/376, 500, 501**

[56] References Cited

U.S. PATENT DOCUMENTS

D. 268,235	3/1983	Bergquist	D6/361
D. 279,335	6/1985	Frinier et al.	D6/361
D. 280,276	8/1985	McKay	D6/501
D. 316,490	4/1991	Martin	D6/376
D. 317,087	5/1991	Frinier	D6/361

OTHER PUBLICATIONS

Schöner Wohnen, Mar. 1985, p. 159, lounge at mid-page in block 6.

Tradewinds/Windjammer II, Nov. 1988, lounge #81450 AW at bottom.

Primary Examiner—Donald P. Walsh

Assistant Examiner—Gary D. Watson

Attorney, Agent, or Firm—Graham & James

[57] CLAIM

The ornamental design for a chaise lounge, as shown and described.

DESCRIPTION

FIG. 1 is a left-front perspective view of a chaise lounge showing our new design;

FIG. 2 is a front elevational view;

FIG. 3 is a right side elevational view;

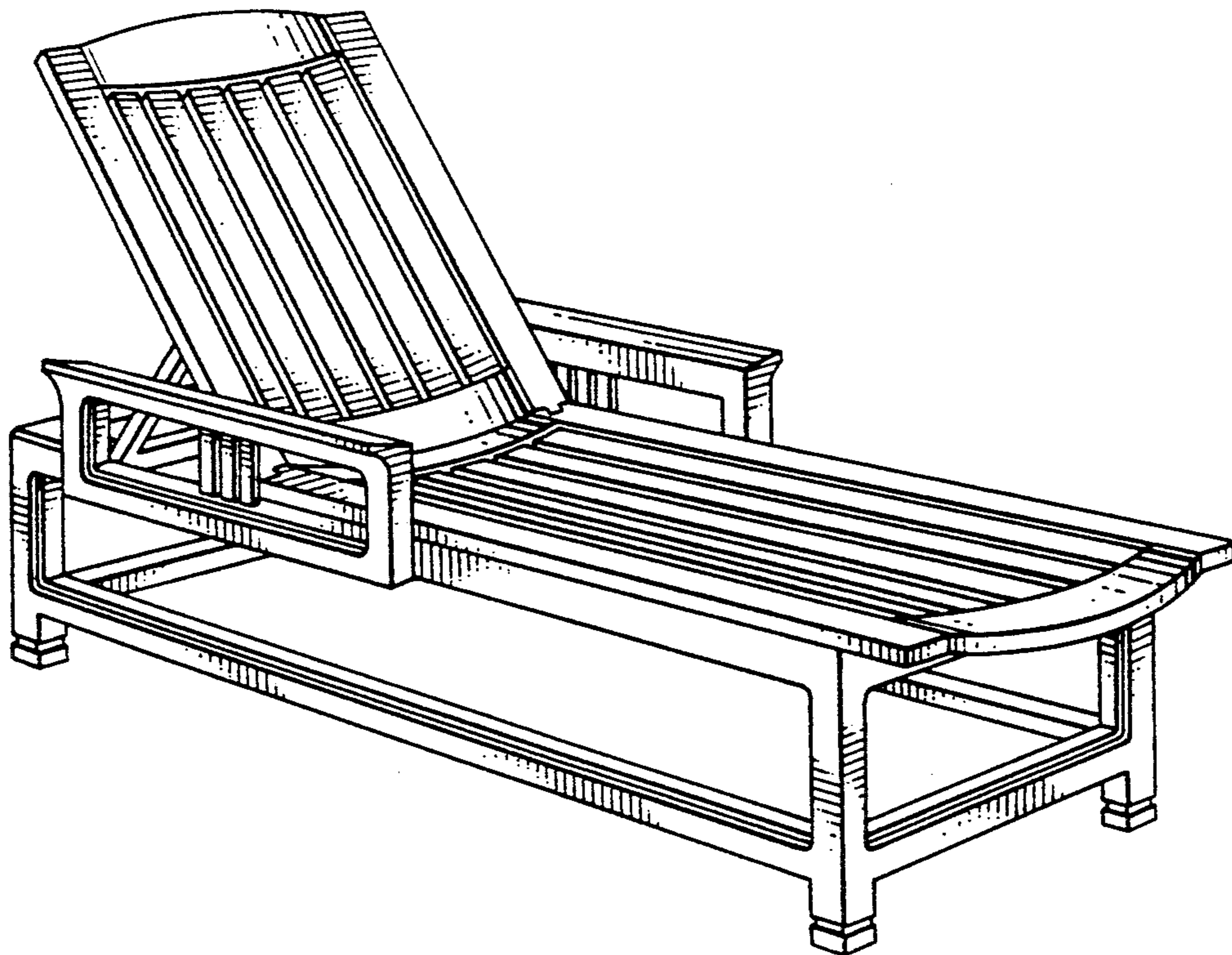
FIG. 4 is a rear elevational view;

FIG. 5 is a left side elevational view;

FIG. 6 is a top plan view;

FIG. 7 is a bottom plan view thereof; and,

FIG. 8 is a left-front perspective view of a chaise lounge showing our new design in a reclined condition.



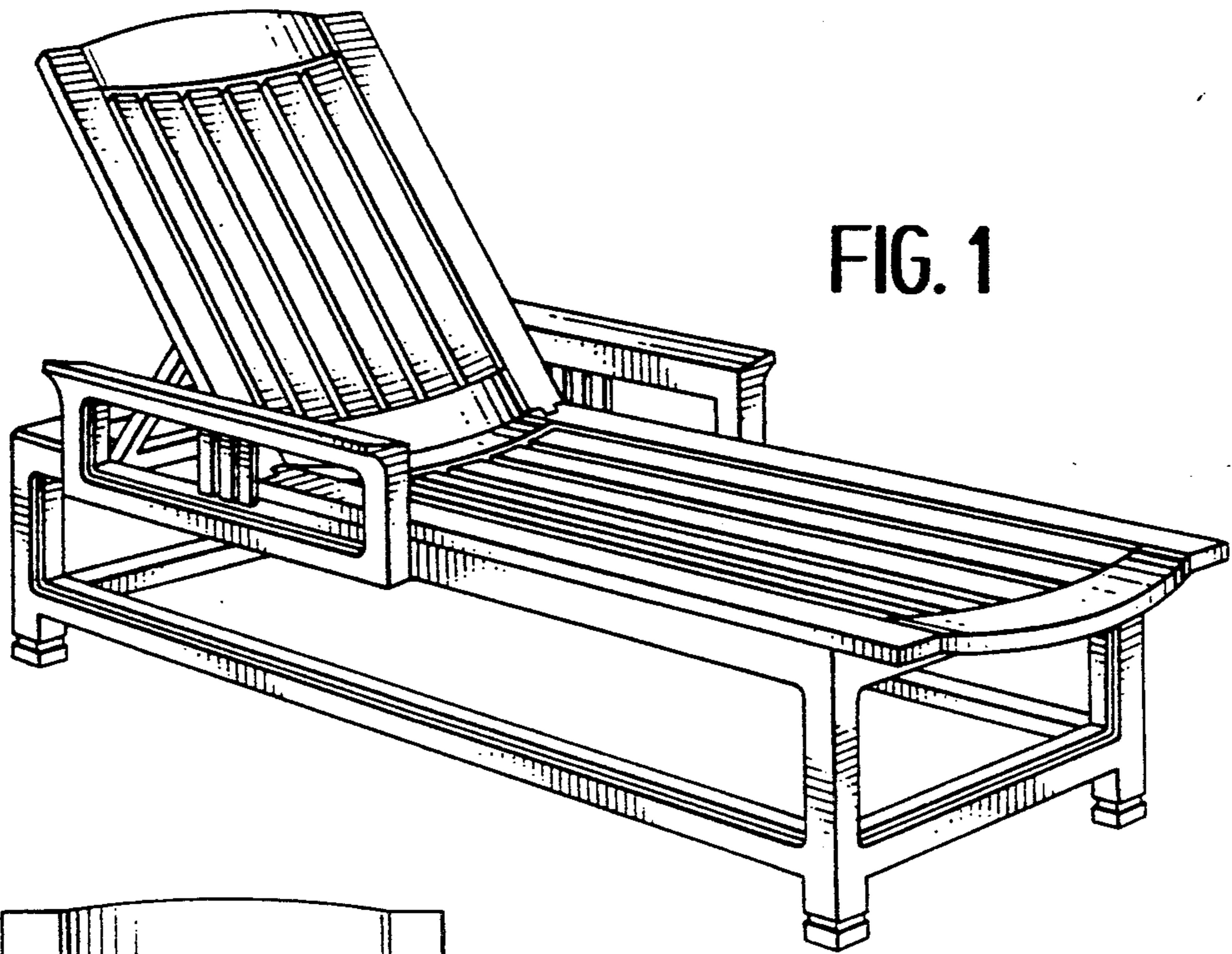


FIG. 1

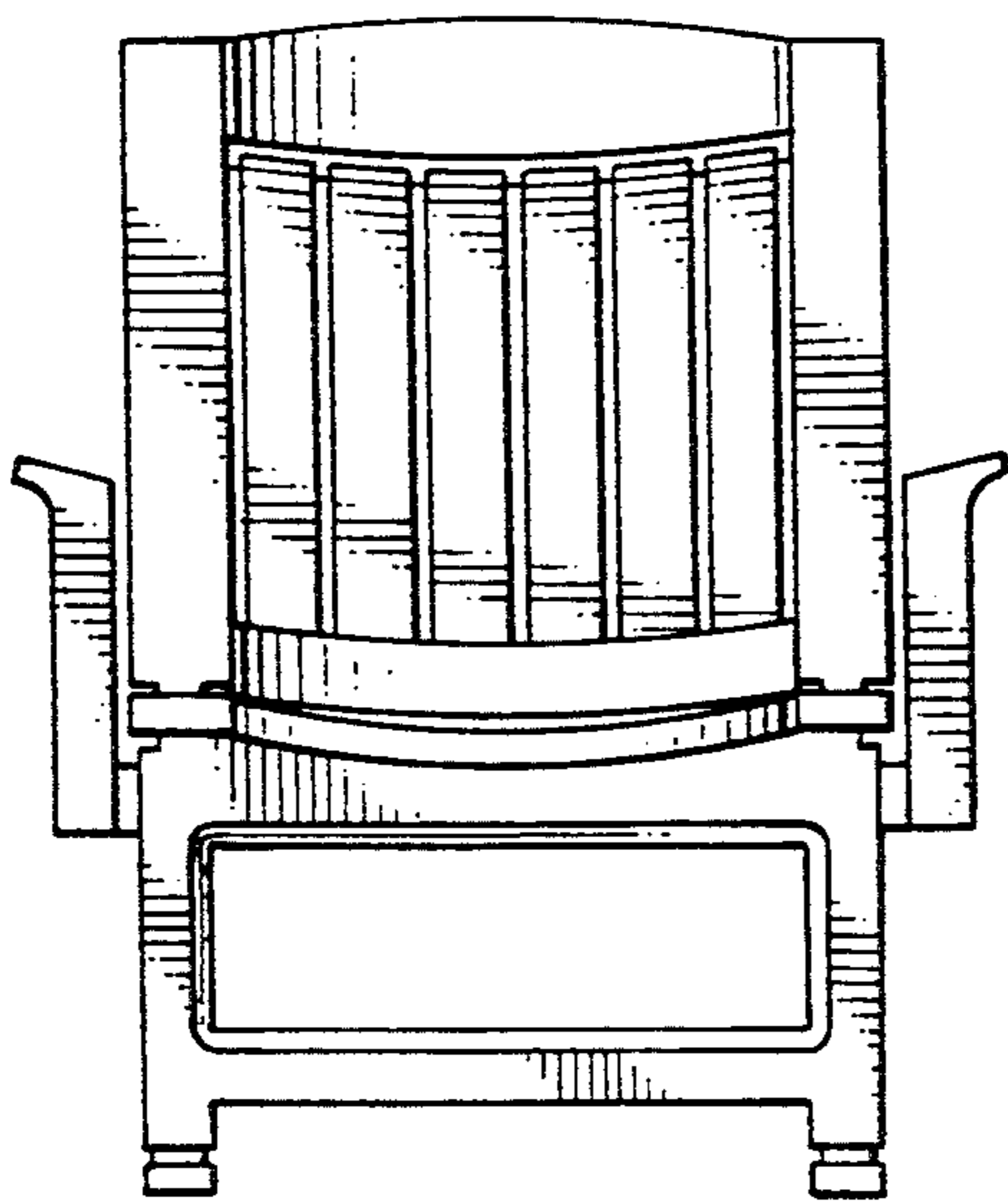


FIG. 2

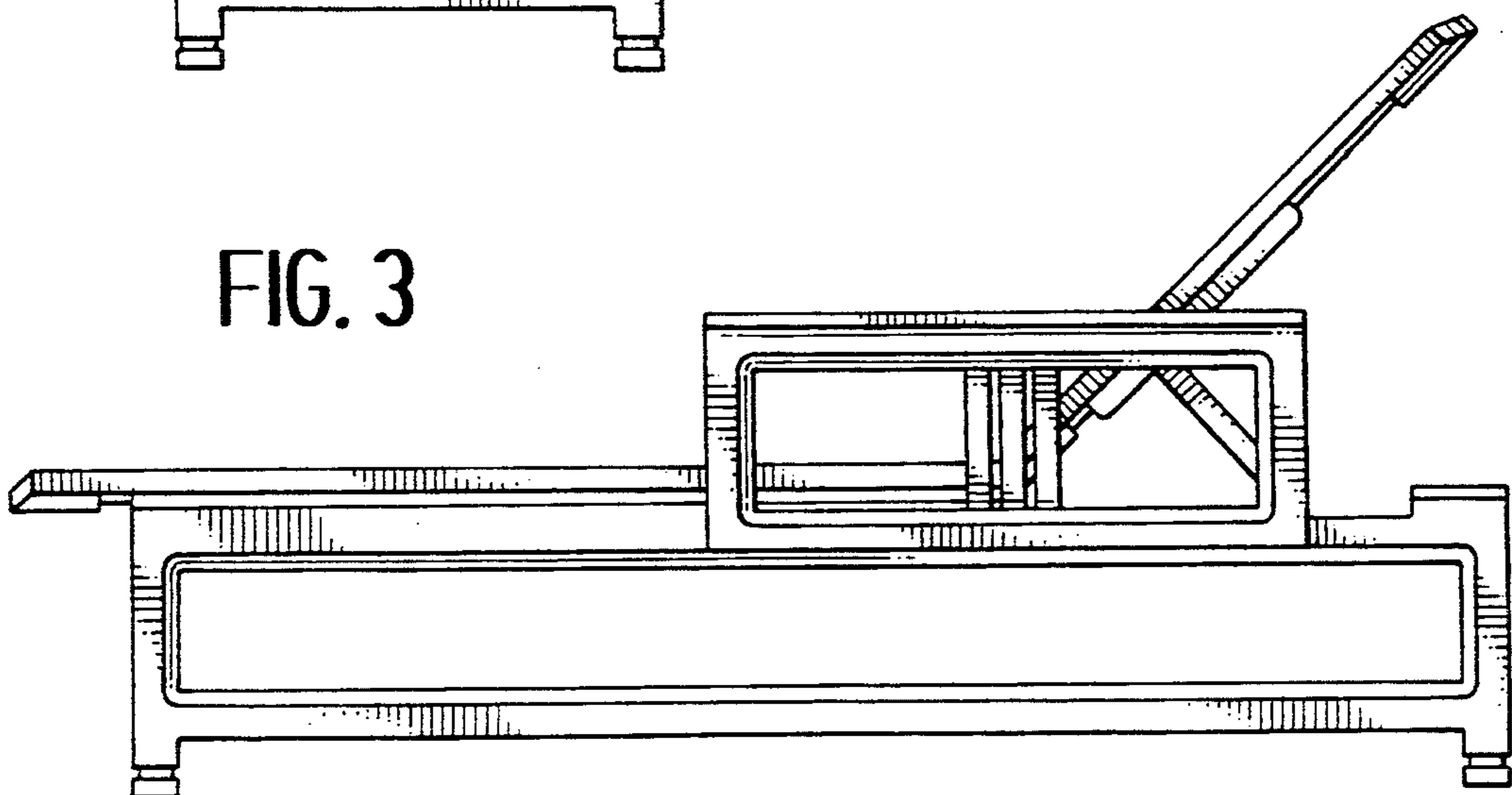


FIG. 3

FIG. 4

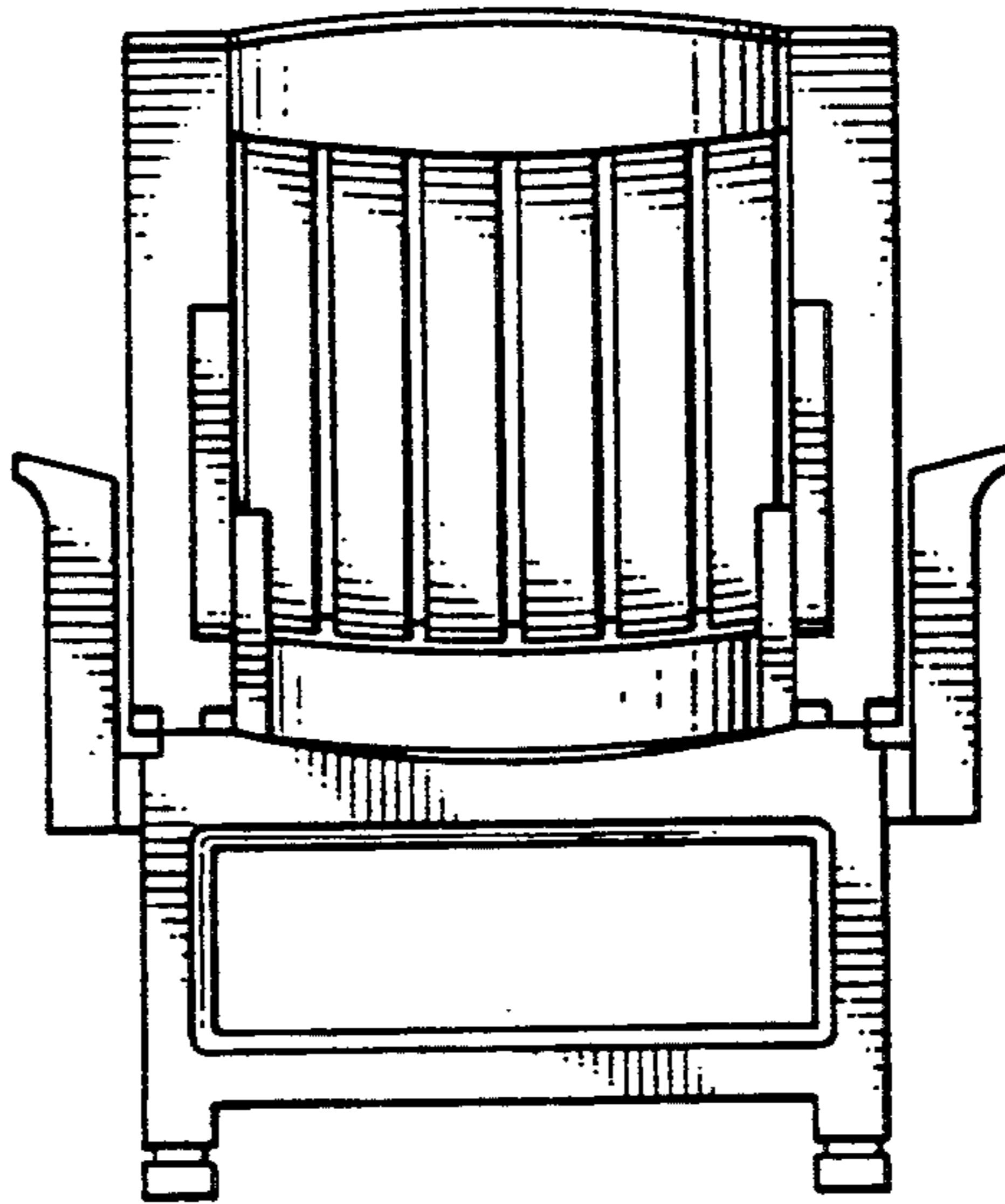


FIG. 5

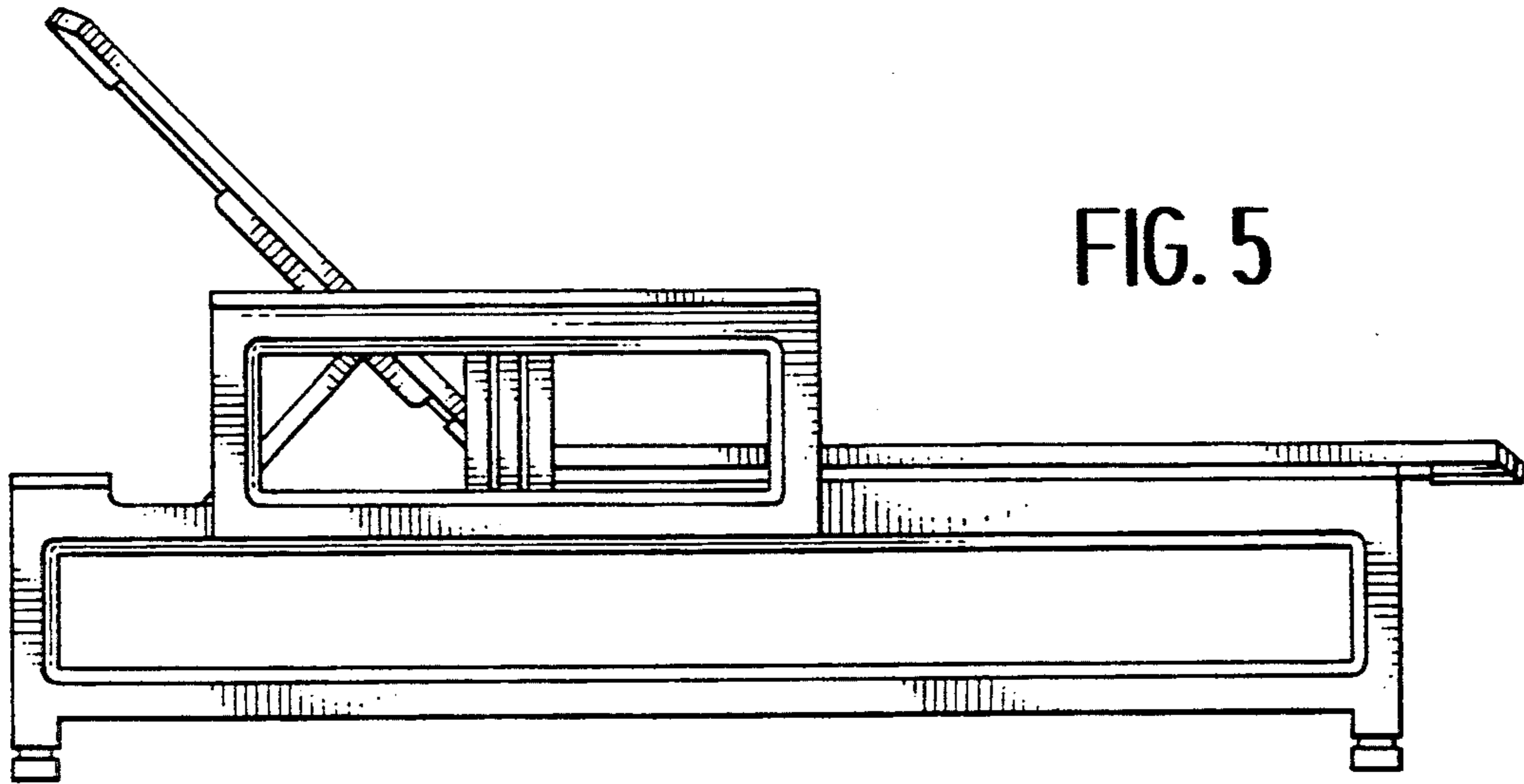
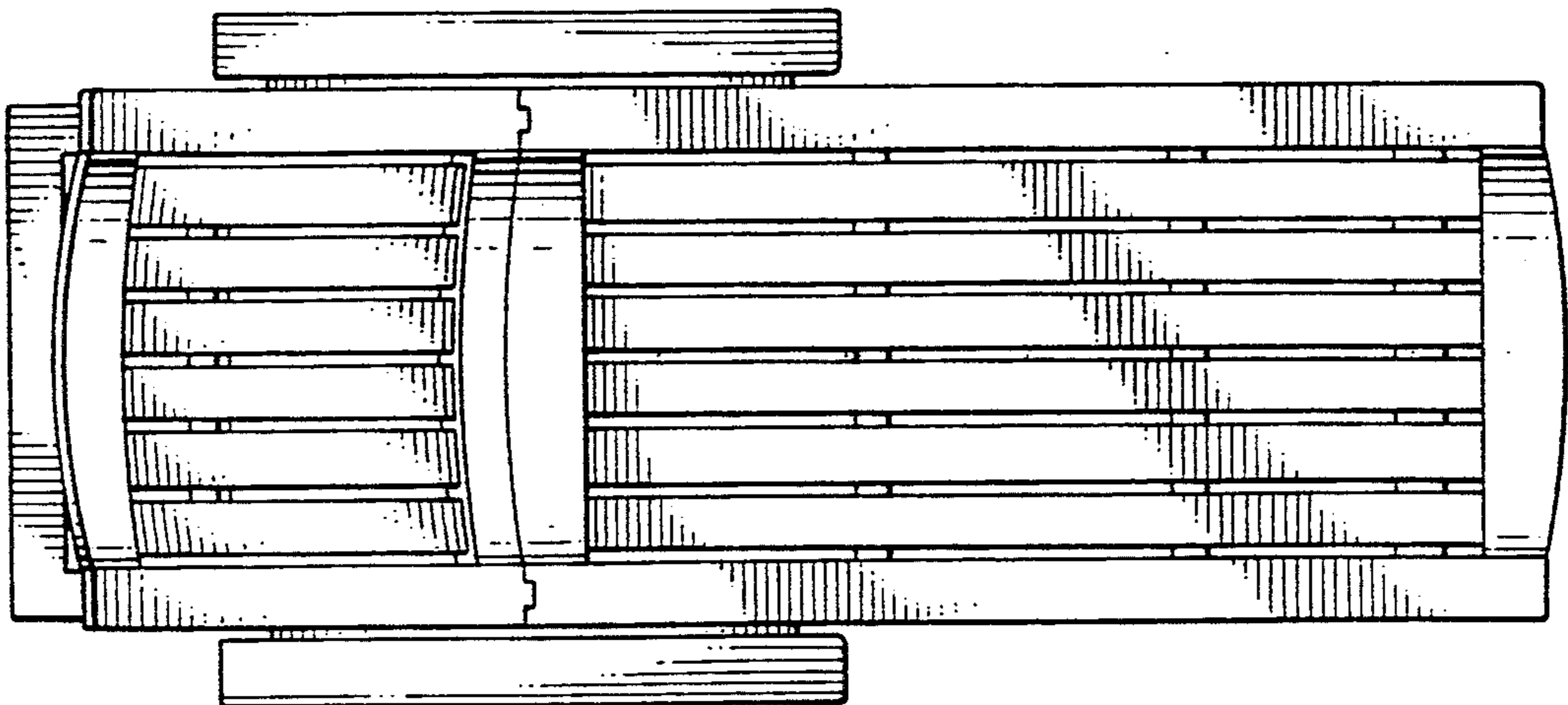


FIG. 6



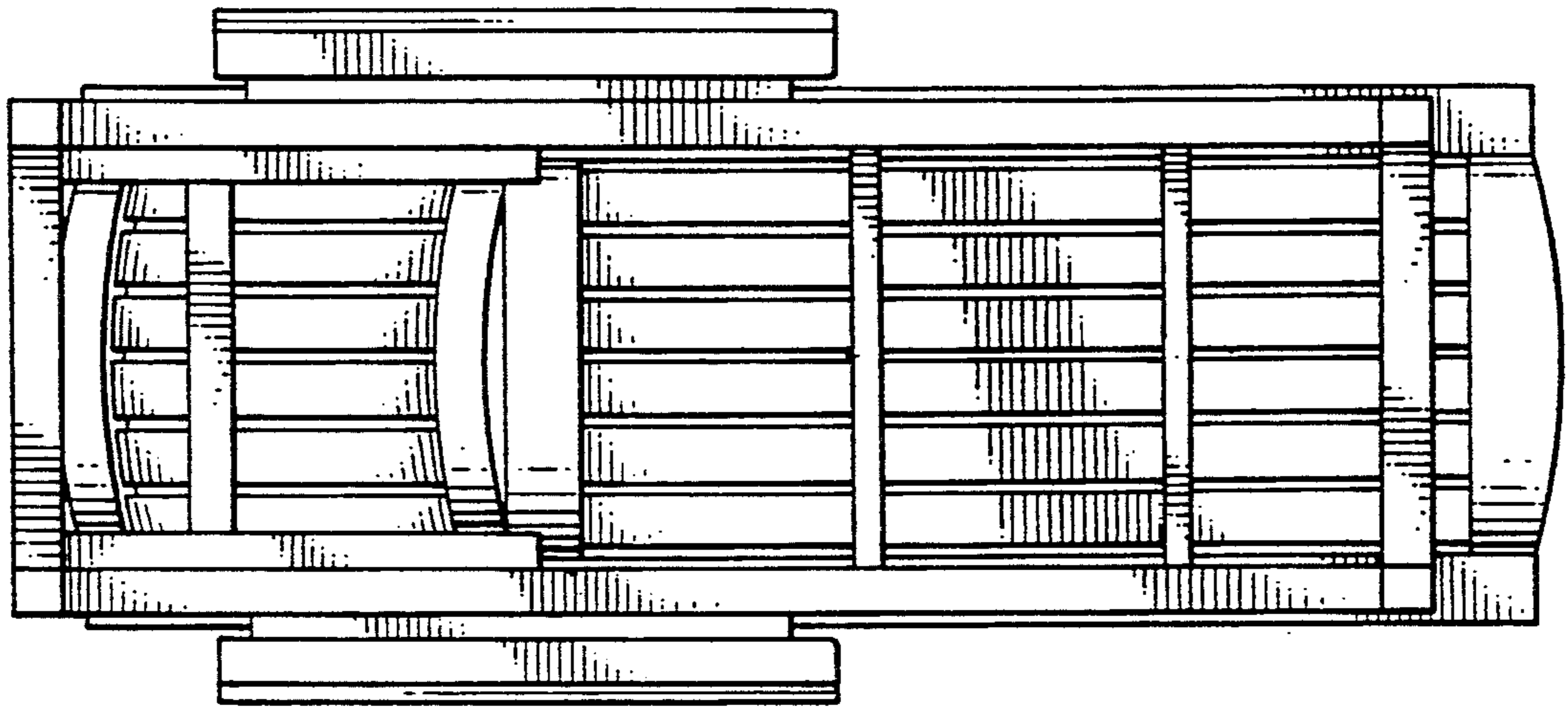


FIG. 7

FIG. 8

