



US00D329328S

United States Patent [19]

Stephens

[11] Patent Number: **Des. 329,328**

[45] Date of Patent: **** Sep. 15, 1992**

[54] **CASE FOR FEMININE HYGIENE PRODUCTS**

[76] Inventor: **Chandra D. Stephens, P.O. Box 725082, Atlanta, Ga. 30339**

[**] Term: **14 Years**

[21] Appl. No.: **602,074**

[22] Filed: **Oct. 22, 1990**

D. 270,387 8/1983 Rutherford D3/39 X
 2,014,696 9/1935 Pitman et al. 220/DIG. 26 X
 2,628,625 9/1951 Pike 132/315
 4,555,020 11/1985 Campello et al. 206/581 X
 4,821,751 4/1989 Chen 132/315 X
 4,826,014 5/1989 Schefor 206/581

Primary Examiner—A. Hugo Word
Assistant Examiner—Paula A. Mortimer
Attorney, Agent, or Firm—Michael V. Drew

Related U.S. Application Data

[63] Continuation-in-part of Ser. No. 387,990, Aug. 1, 1989, Pat. No. 4,964,526.

[52] U.S. Cl. **D3/39; D3/74; D28/78**

[58] Field of Search **D3/78, 39, 74; 220/4, 220/24, DIG. 26, 326; D28/78, 91, 99, 82; 206/235, 351, 314, 581; 132/315**

References Cited

U.S. PATENT DOCUMENTS

D. 157,610 3/1950 Ligon D3/74 X
 D. 212,068 8/1968 Ash D3/39
 D. 268,618 4/1983 Napolitane D28/78

[57] CLAIM

The ornamental design for a case for feminine hygiene products, as shown and described.

DESCRIPTION

FIG. 1 is a front perspective view of a case for feminine hygiene products showing my new design, with the lid in an open position;

FIG. 2 is a front perspective view thereof, with the lid in a closed position;

FIG. 3 is a top plan view thereof;

FIG. 4 is a front elevational view thereof;

FIG. 5 is a side elevational view the opposite side is a mirror image thereof;

FIG. 6 is a bottom plan view thereof; and,

FIG. 7 is a rear elevational view thereof.

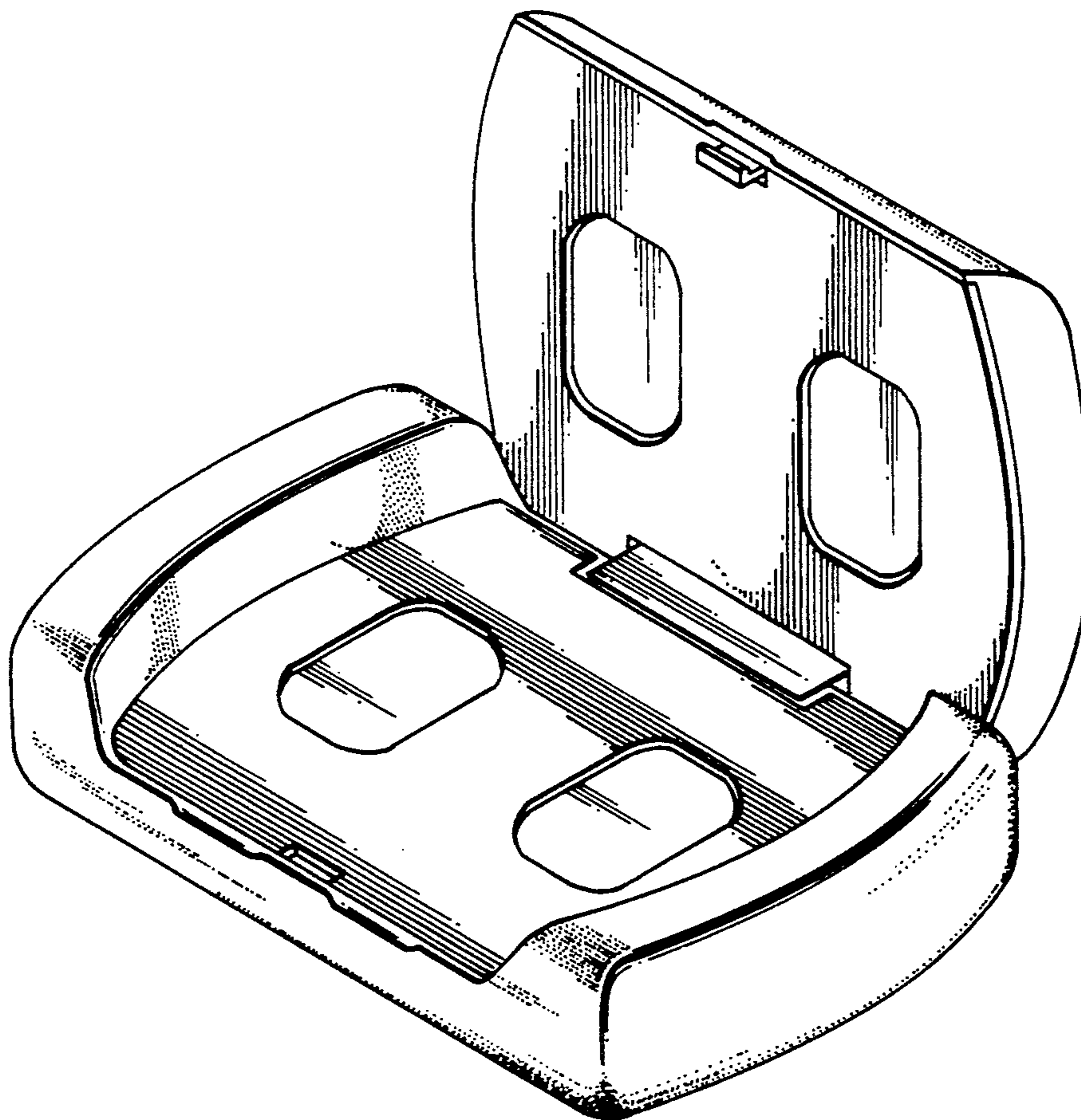


Fig. 1

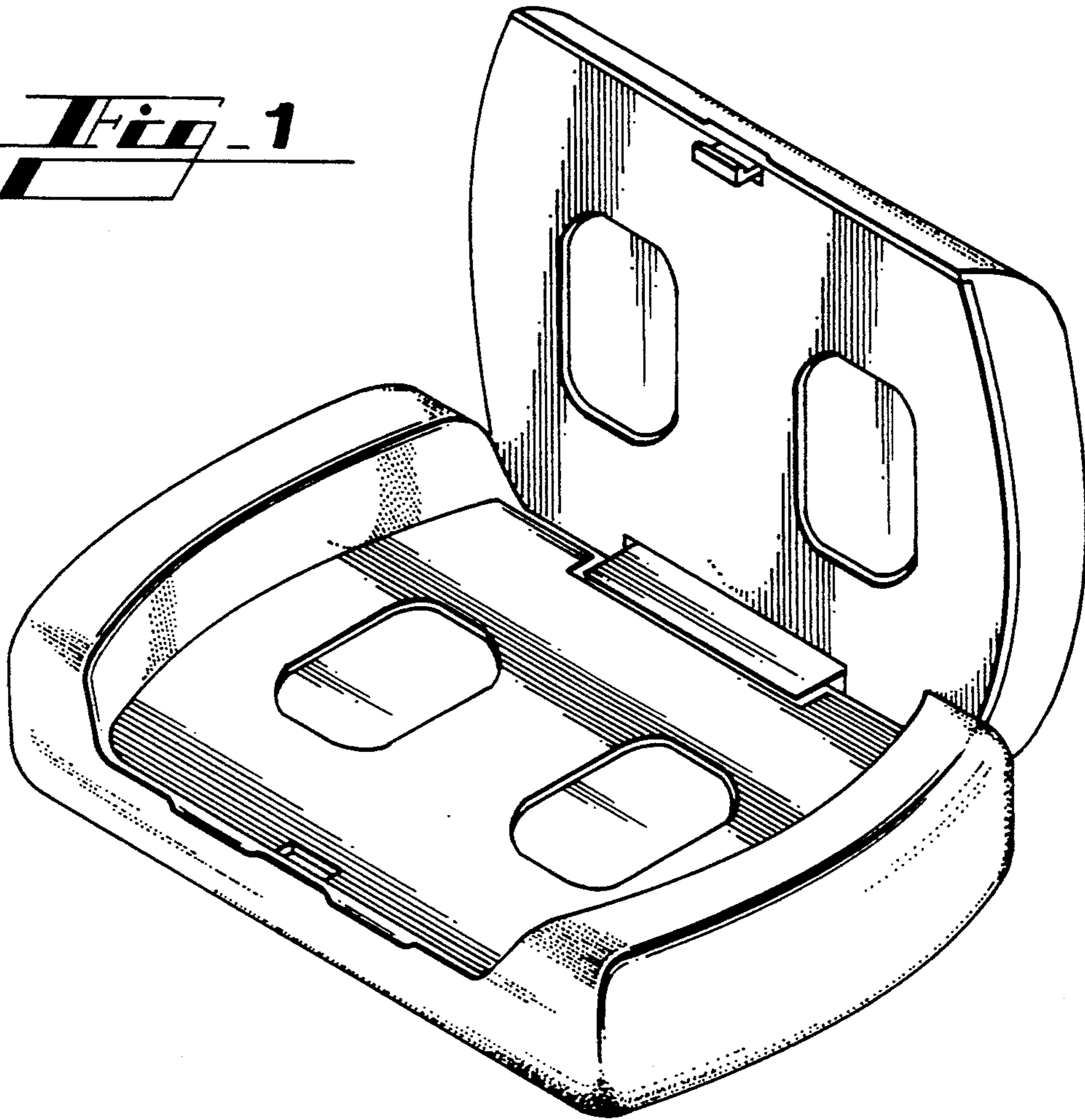


Fig. 2

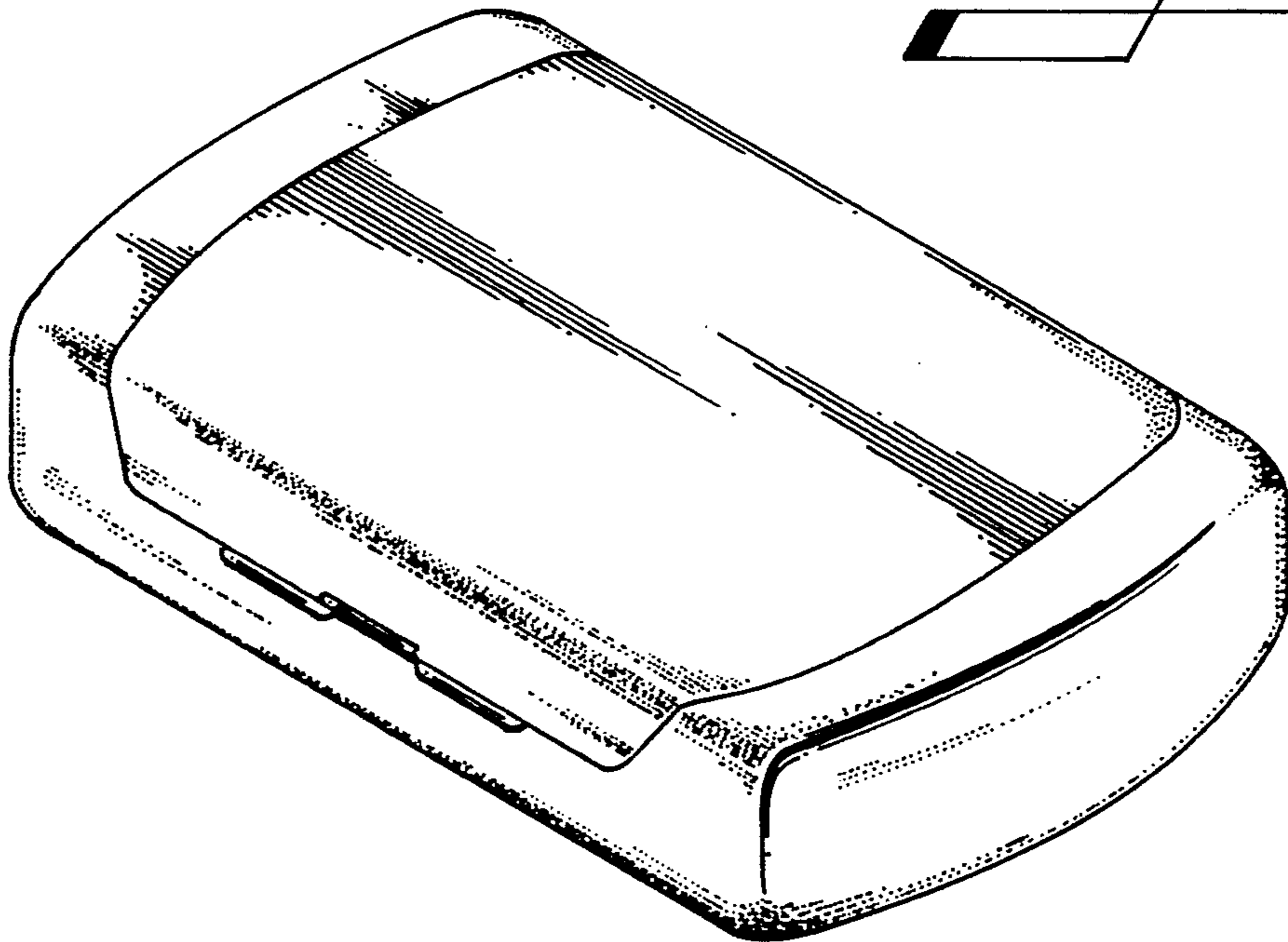




Fig. 3

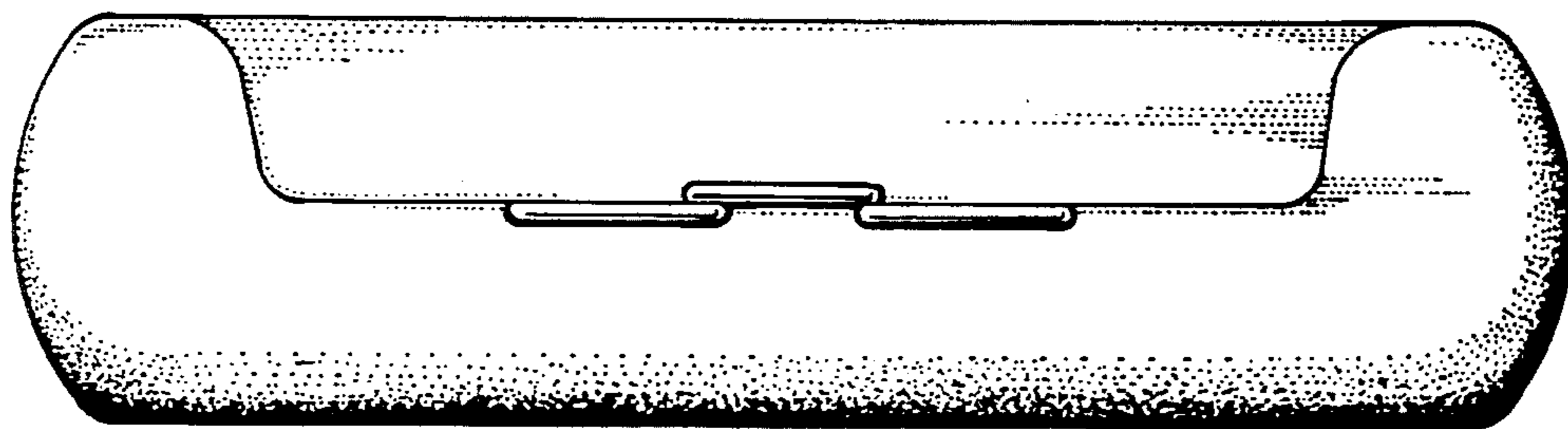


Fig. 4

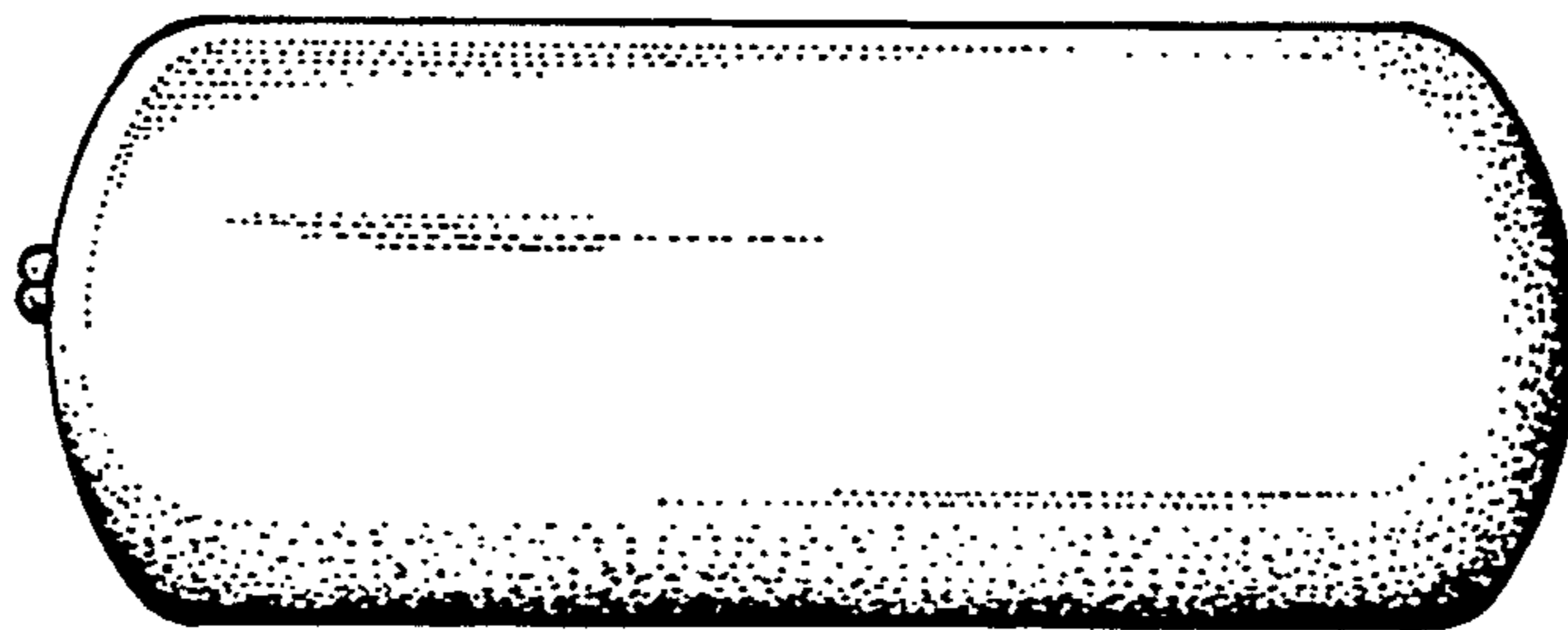


Fig. 5

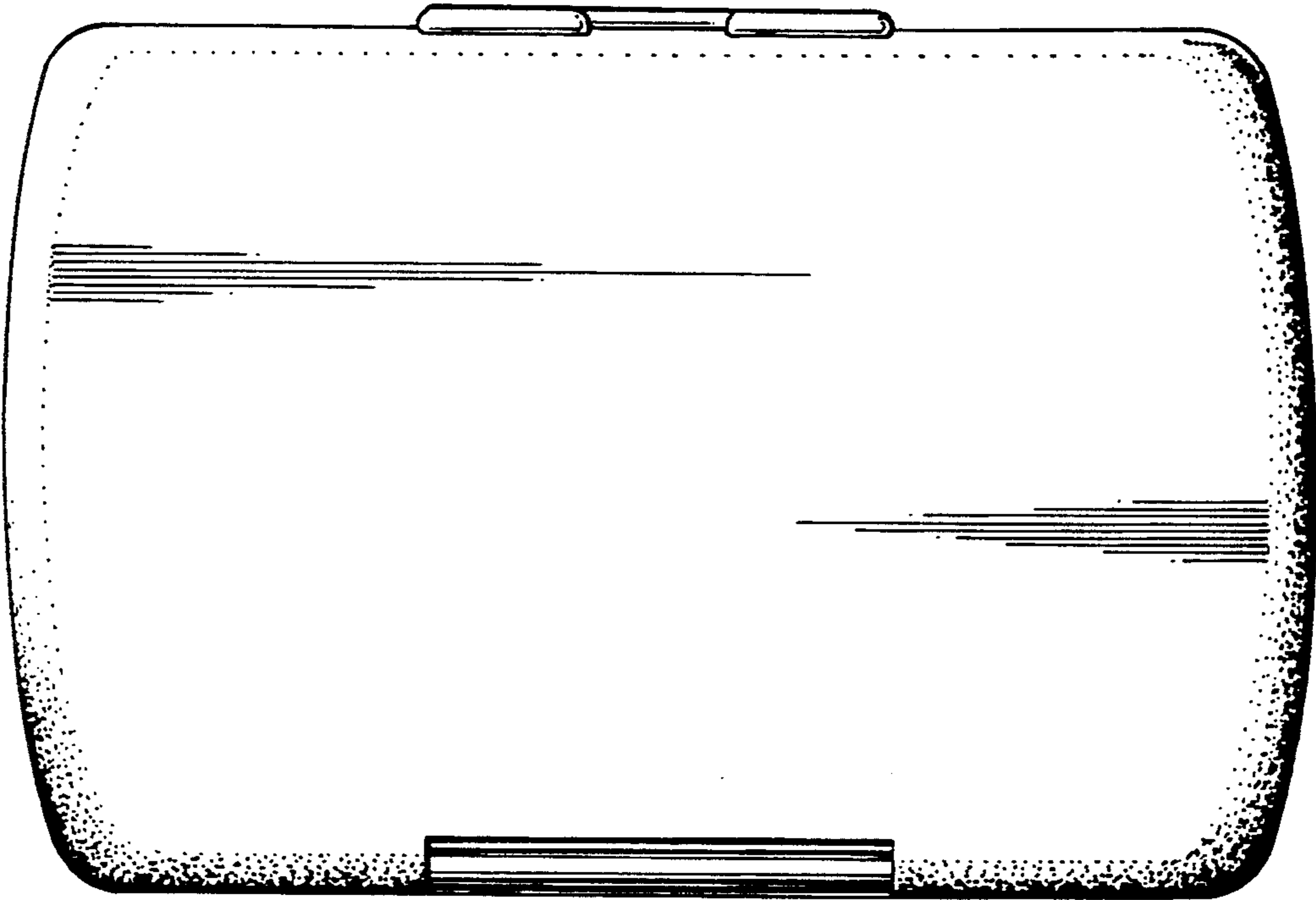


Fig. 6

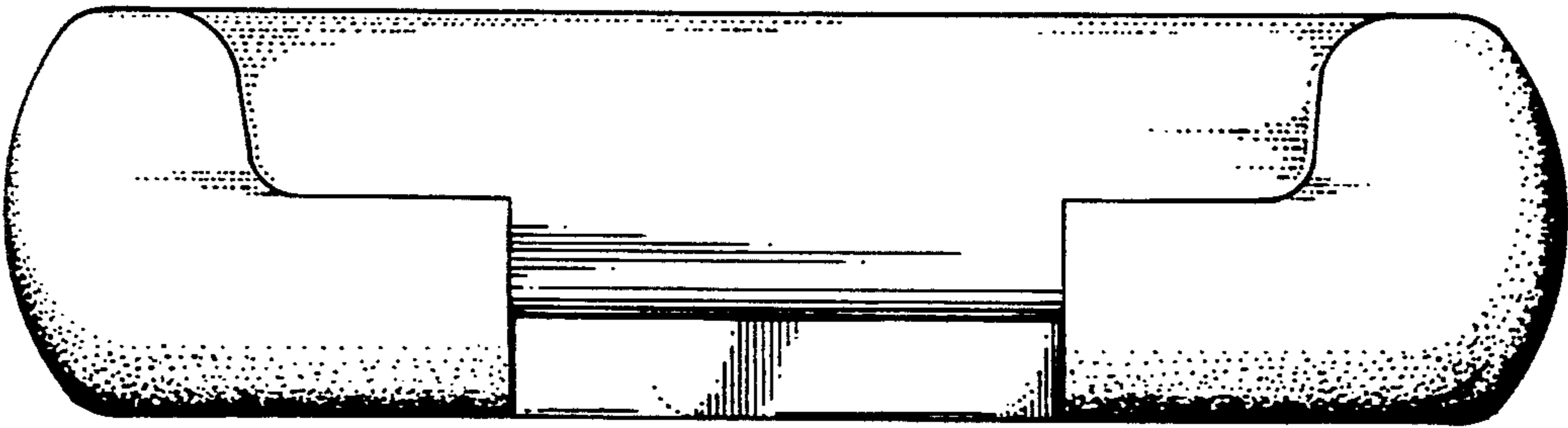


Fig. 7