



US00D329316S

United States Patent [19]

Adams

[11] Patent Number: **Des. 329,316**

[45] Date of Patent: **** Sep. 8, 1992**

[54] **CONVEYER BELT FOR A CHECKOUT COUNTER**

[76] Inventor: **Greg Adams, 9538 Bakers Bridge Rd., Douglasville, Ga. 30134**

[**] Term: **14 Years**

[21] Appl. No.: **588,422**

[22] Filed: **Sep. 26, 1990**

[52] U.S. Cl. **D34/29**

[58] Field of Search **D34/29; D6/402; 186/66, 186/68; 198/572, 577**

4,979,591 12/1990 Habegger et al. 186/68

FOREIGN PATENT DOCUMENTS

1506665 12/1966 France 186/68

387901 3/1965 Switzerland .

2057258 4/1981 United Kingdom 186/68

Primary Examiner—Wallace R. Burke

Assistant Examiner—H. Baynham

Attorney, Agent, or Firm—Jones, Askew & Lunsford

[57] CLAIM

The ornamental design for a conveyer belt for a checkout counter, as shown.

DESCRIPTION

FIG. 1 is a perspective view of a conveyor belt for a checkout counter showing my new design;

FIG. 2 is a side elevational view with the opposite side being a mirror image thereof;

FIG. 3 is a front elevational view thereof; and,

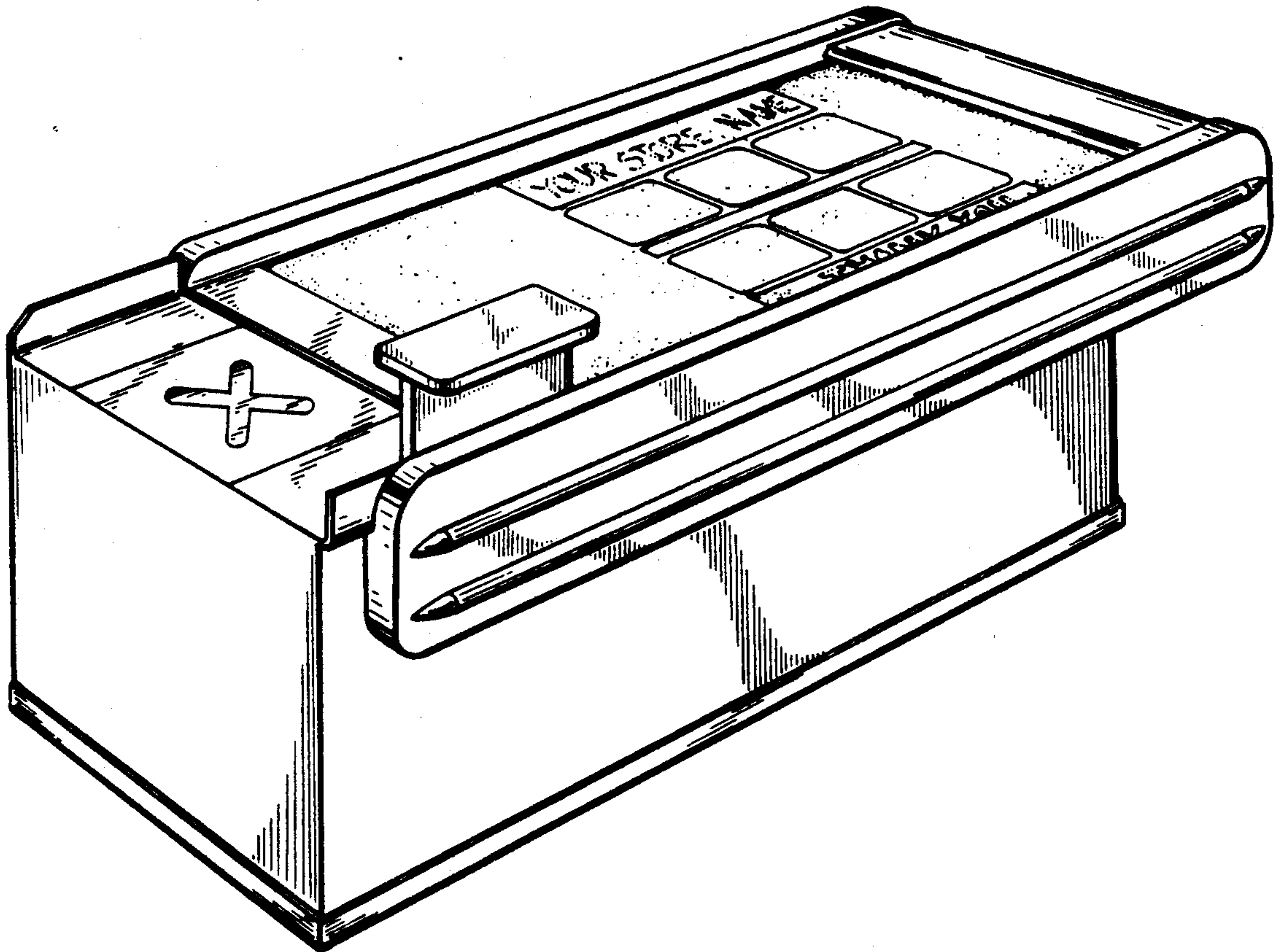
FIG. 4 is a top plan view thereof.

The broken line showing of the descriptive writing is for illustrative purposes only and forms no part of the claimed design.

[56] References Cited

U.S. PATENT DOCUMENTS

D. 183,026	6/1958	Slikkers	D6/402
D. 183,447	9/1958	Crawford	D6/402
D. 241,996	10/1976	Fenwick et al.	D6/402
D. 283,379	4/1986	Adams	D6/402
D. 293,384	12/1987	Brule	D34/29
2,569,711	10/1951	Foster	186/68
2,625,256	1/1953	Smith	186/68
3,982,625	9/1976	Wentz et al.	..	



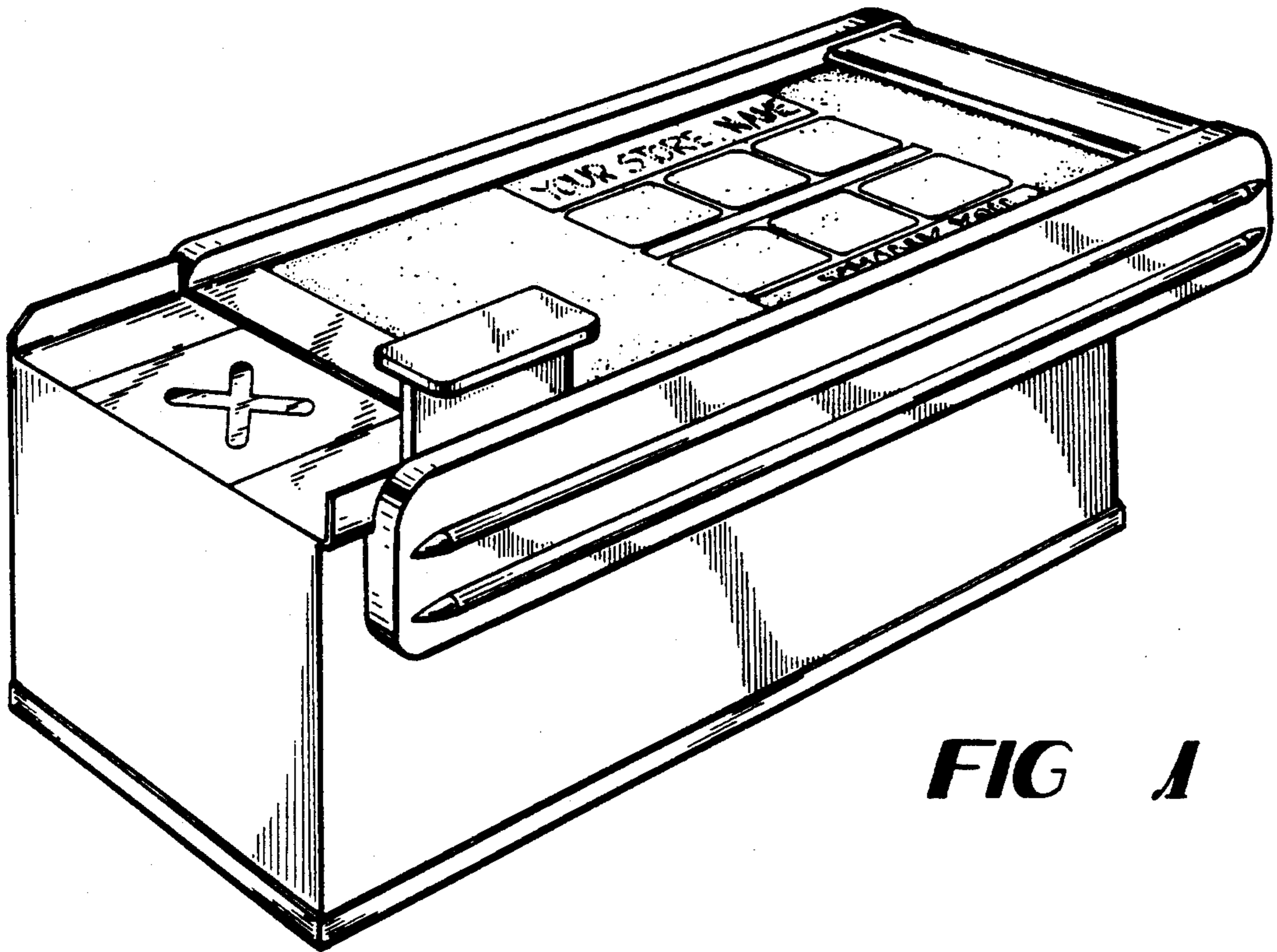


FIG 1

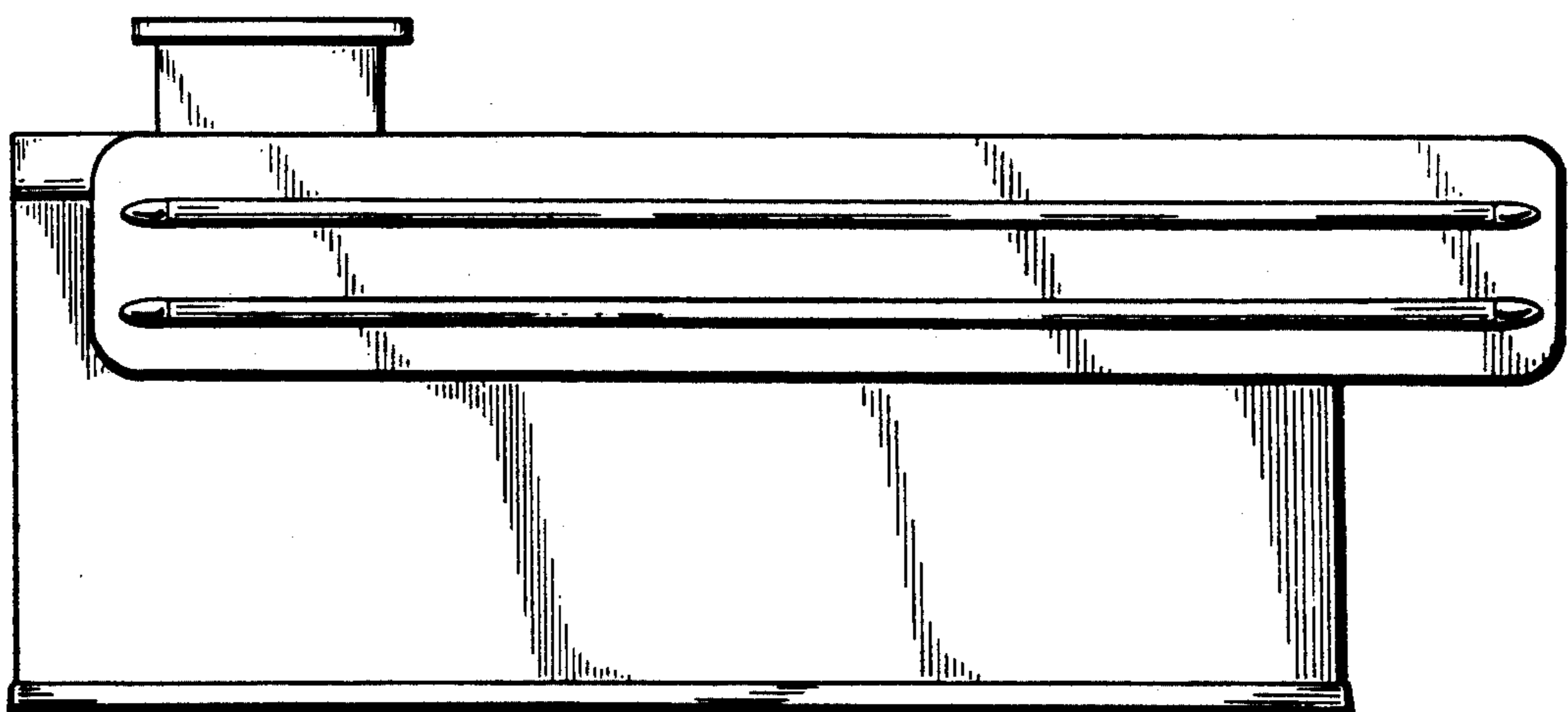


FIG 2

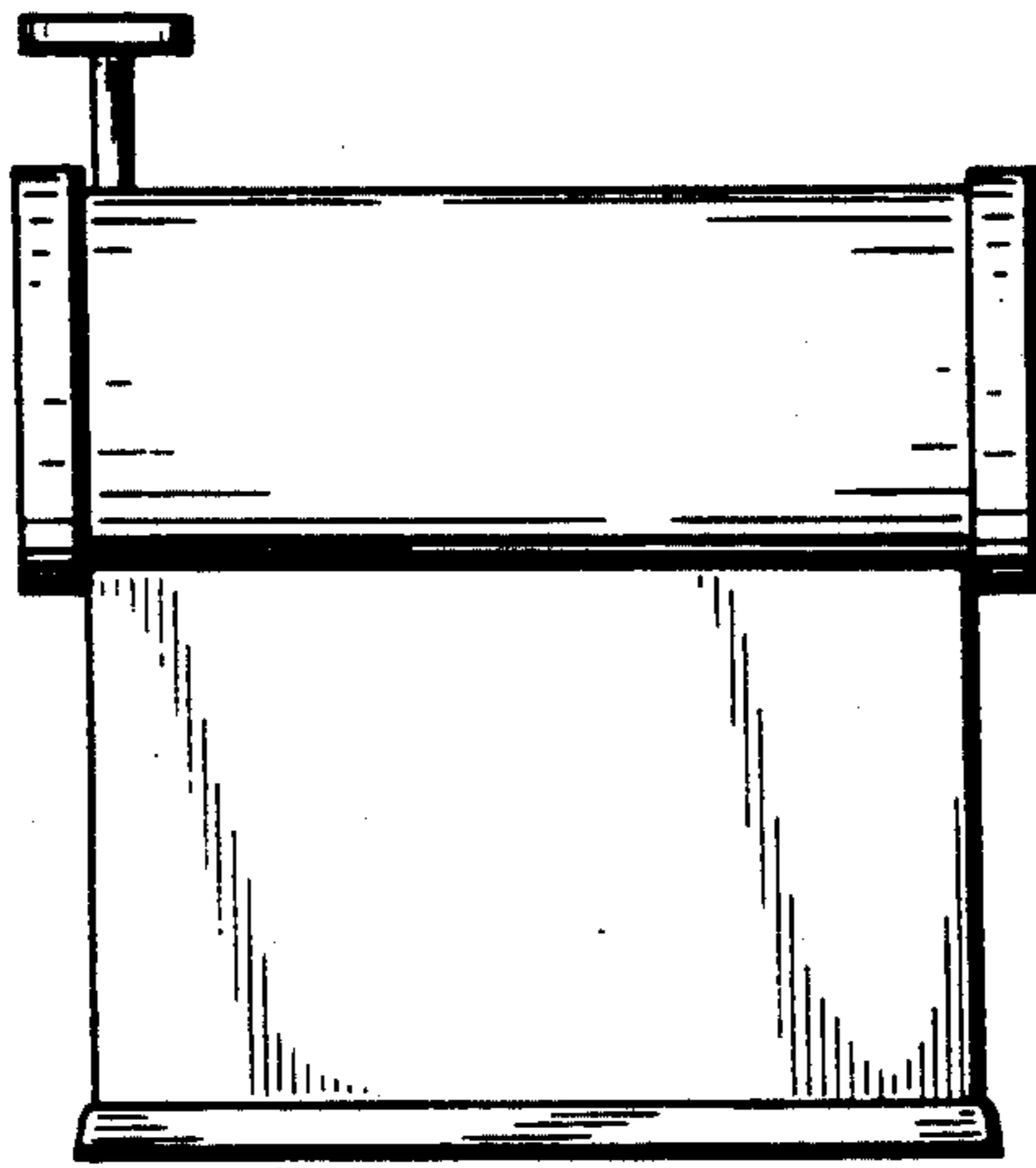


FIG 3



FIG 4