



US00D329309S

United States Patent [19] Washington

[11] Patent Number: **Des. 329,309**

[45] Date of Patent: **** Sep. 8, 1992**

[54] WHIPLEASH

728380 4/1955 United Kingdom 231/2.1

[76] Inventor: Cheryl Washington, 1239 W. Greenleaf, #2 South, Chicago, Ill. 60626

[**] Term: 14 Years

[21] Appl. No.: 551,723

[22] Filed: Jul. 12, 1990

[52] U.S. Cl. D30/153; D30/156

[58] Field of Search D30/144-145, D30/151-154, 156; 119/106, 109, 96, 101, 156; 231/2.1, 3; D8/82, 83, 370, 382, DIG. 7

[56] **References Cited**

U.S. PATENT DOCUMENTS

D. 175,316	8/1955	Roccia	D30/153
D. 201,171	5/1965	Knudsen et al.	D8/83
D. 232,744	9/1974	McGrew	D30/153
D. 244,869	6/1977	Manley et al.	D30/153
D. 259,237	5/1981	Savnik	D8/83
D. 304,543	11/1989	Somers et al.	D8/82
382,258	5/1888	Harrington	231/2.1
1,509,781	9/1924	Roth	119/96
2,322,897	6/1943	Van den Bogaerde	119/109
3,799,429	3/1974	Henry	231/2.1
4,154,391	5/1979	Girty	231/3

FOREIGN PATENT DOCUMENTS

680717	2/1964	Canada	231/2.1
31307	of 1813	United Kingdom	231/2.1
18681	of 1911	United Kingdom	119/106

OTHER PUBLICATIONS

Wilcox, Crittenden & Co., Inc. brochure; hook right side of page.
Handsome Rewards brochure; Full Shank Screwdrivers.
Brauer Dog Furnishings and Accessories Catalog; p. 10, item No. 4, Round Leather Plaited Lead.
Brauer Bros. Mfg. Co. Catalog; p. 30, item Calf Skin Plaited Riding Crop.

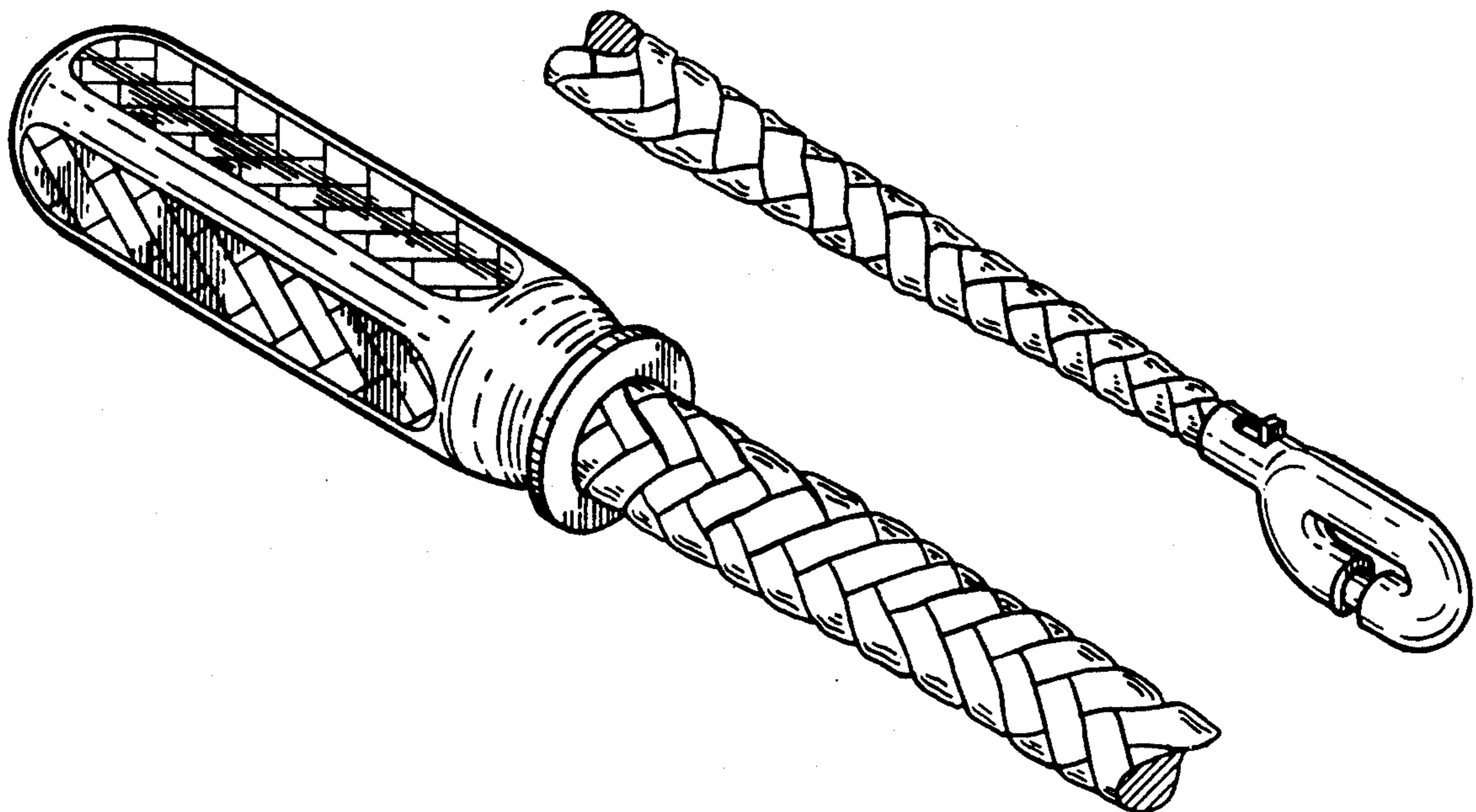
Primary Examiner—A. Hugo Word
Assistant Examiner—Cathy Anne MacCormac
Attorney, Agent, or Firm—Terry M. Gernstein

[57] **CLAIM**

The ornamental design for a whiplash, as shown and described.

DESCRIPTION

FIG. 1 is a top perspective view of a whiplash showing my new design shown broken away for ease of illustration, the bottom of the handle being identical to the top view shown;
FIG. 2 is a side elevational view thereof the opposite side being a mirror image of the side shown;
FIG. 3 is an elevational view thereof taken from the handle end;
FIG. 4 is an elevational view thereof taken from the hook end;
FIG. 5 is a fragmentary top plan view of the hook; and,
FIG. 6 is a fragmentary bottom plan view of the hook.



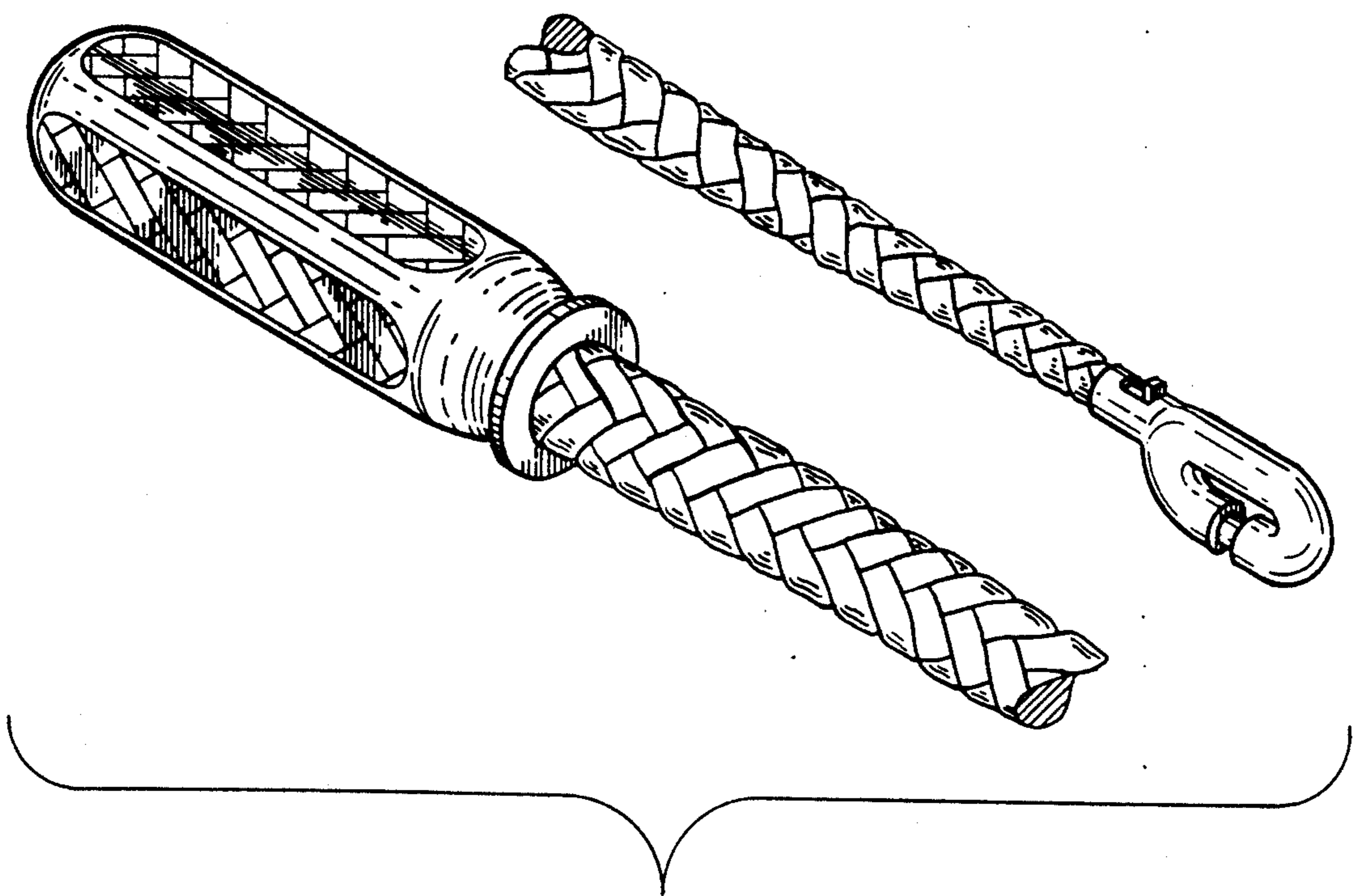
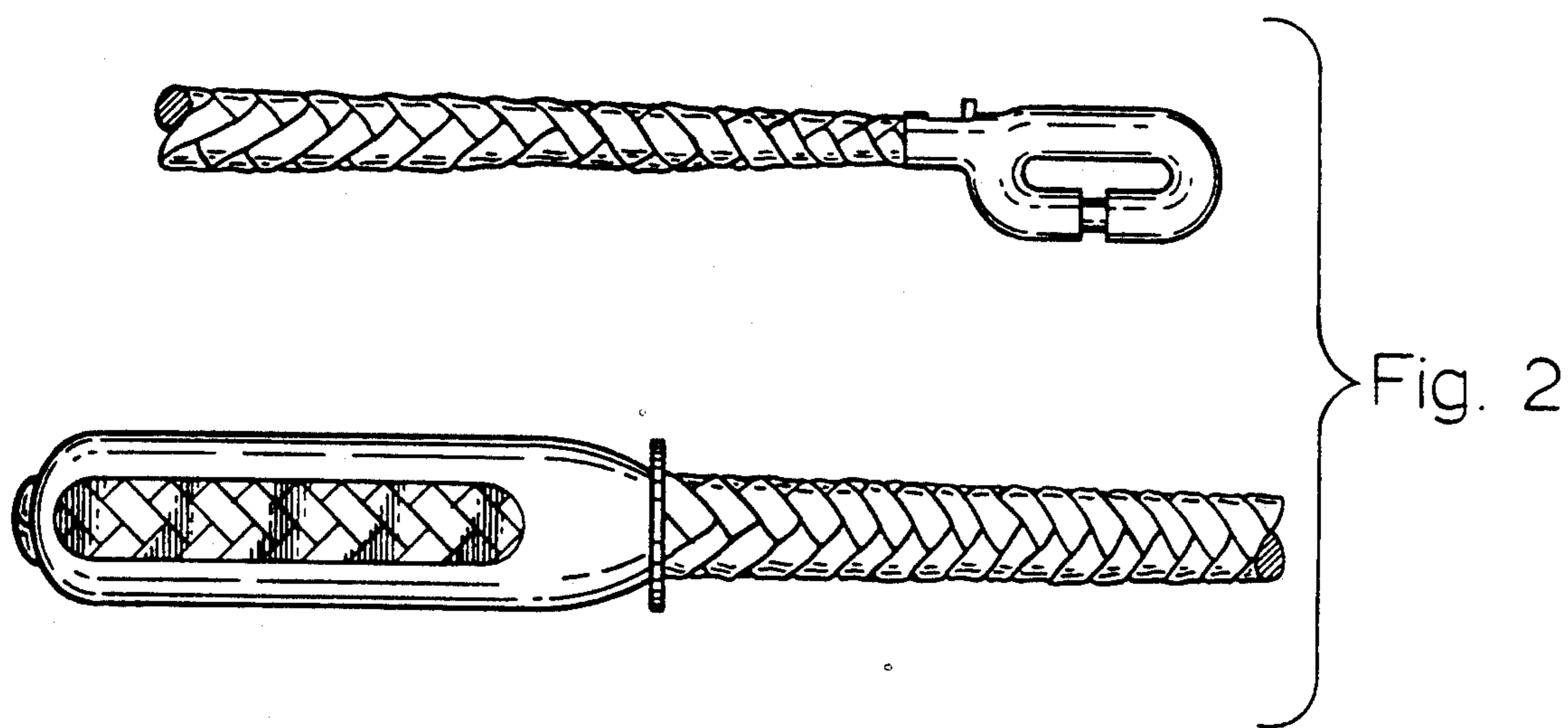


Fig. 1



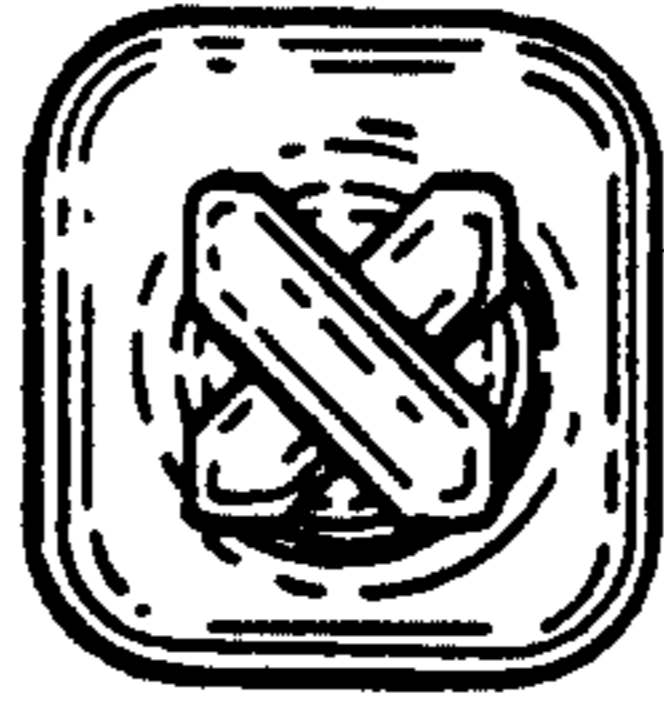


Fig. 3

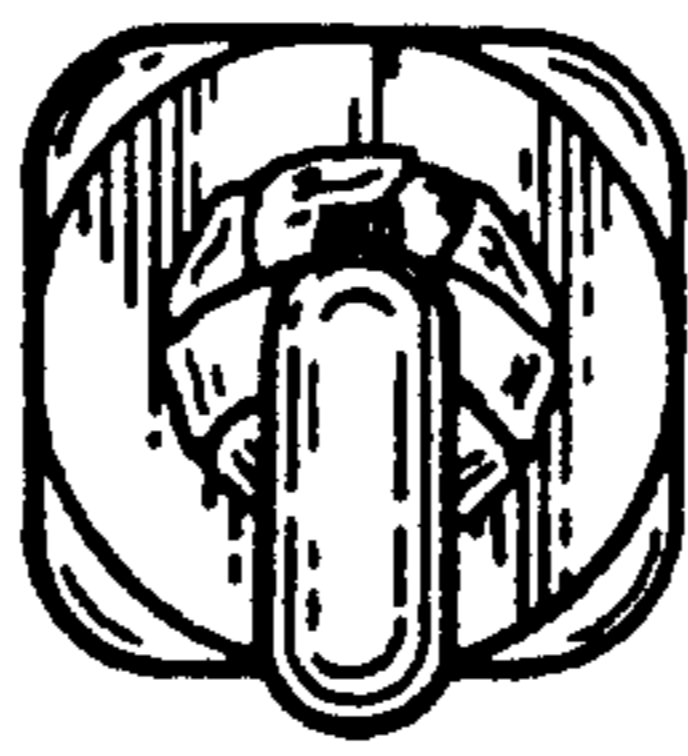


Fig. 4



Fig. 5



Fig. 6