



US00D329305S

# United States Patent [19] Billings

[11] Patent Number: **Des. 329,305**  
[45] Date of Patent: **\*\* Sep. 8, 1992**

[54] **FINGERNAIL POLISH REMOVER**  
[76] Inventor: **Calvert Billings, 23221 Peralta, Suite H, Laguna Hills, Calif. 92653**  
[\*\*] Term: **14 Years**  
[21] Appl. No.: **531,542**  
[22] Filed: **Jun. 1, 1990**  
[52] U.S. Cl. .... **D28/56**  
[58] Field of Search ..... **D28/9, 56-59, D28/99; 132/73, 73.5, 74.5, 75; 15/104.92, 210 R; 401/6, 7**

4,255,826 3/1981 Boyd ..... D28/58 X  
4,474,195 10/1984 Warner ..... 401/7 X  
4,964,372 10/1990 Zeeni et al. .... 132/74.5

*Primary Examiner*—Bernard Ansher  
*Assistant Examiner*—C. Tuttle  
*Attorney, Agent, or Firm*—Francis X. LoJacono

### [57] CLAIM

The ornamental design for a fingernail polish remover, as shown and described.

### DESCRIPTION

FIG. 1 is a top front perspective view of a fingernail polish remover showing my new design; FIG. 2 is a right side elevational view thereof, the side opposite being a mirror image of the side shown; FIG. 3 is a top rear perspective view thereof; and, FIG. 4 is a top plan view thereof. The undisclosed bottom portion is flat, plain and unornamented.

[56] **References Cited**  
**U.S. PATENT DOCUMENTS**  
D. 180,940 9/1957 Erickson ..... D28/58  
D. 277,322 1/1985 West ..... D28/58  
2,703,422 3/1955 Roosa ..... 132/75  
3,375,538 4/1968 Mains et al. .... 15/210 R

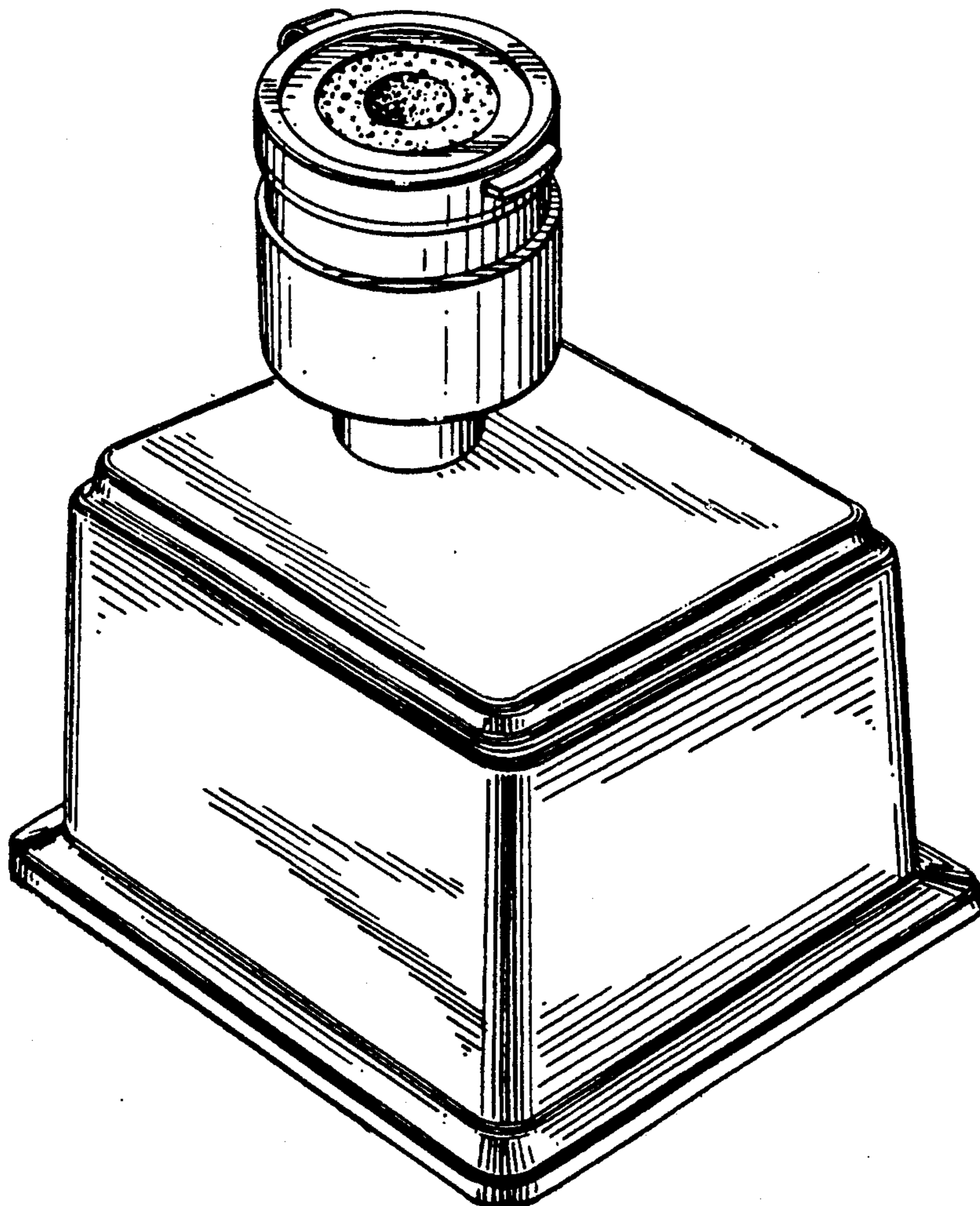


FIG. 1

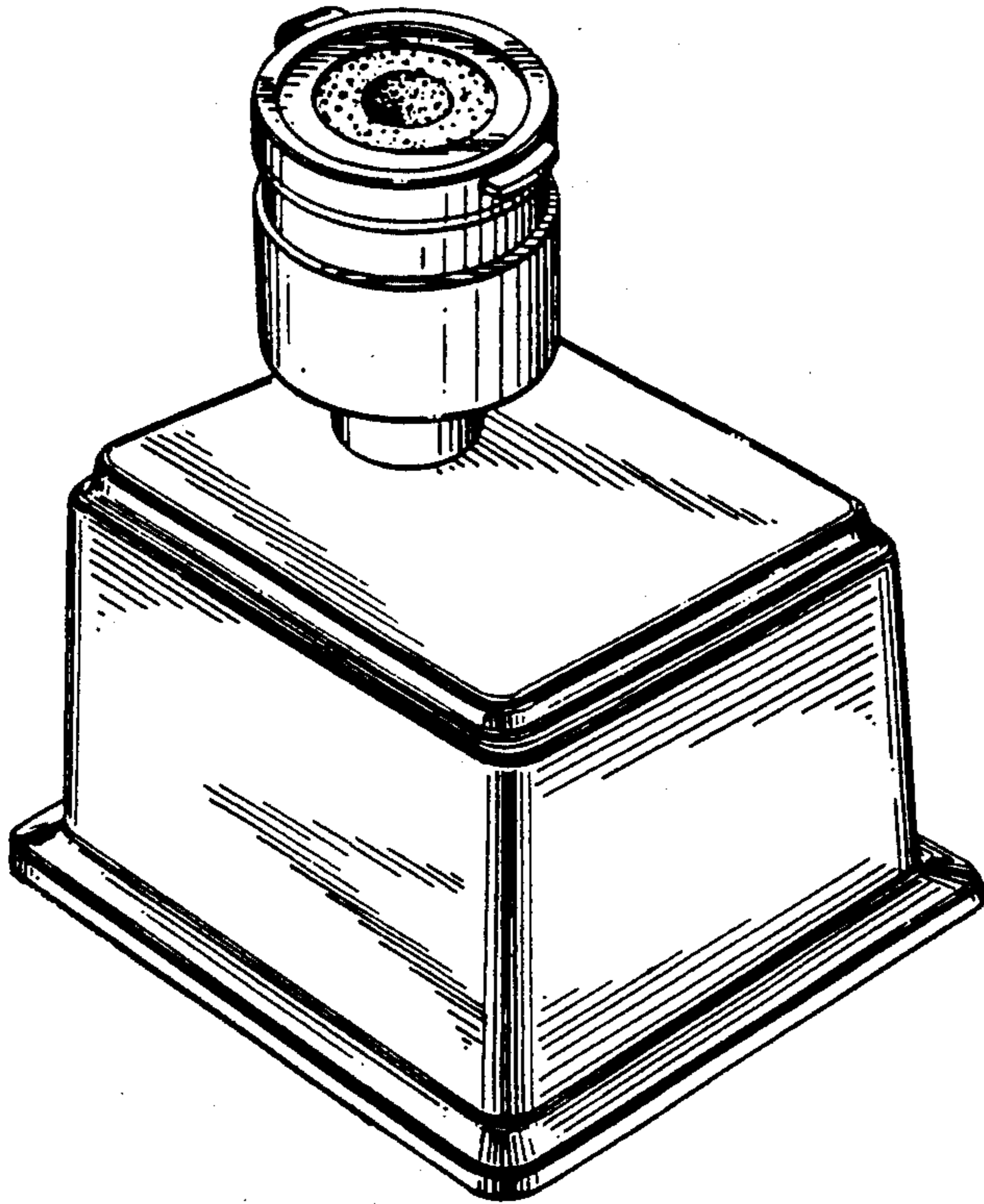


FIG. 2

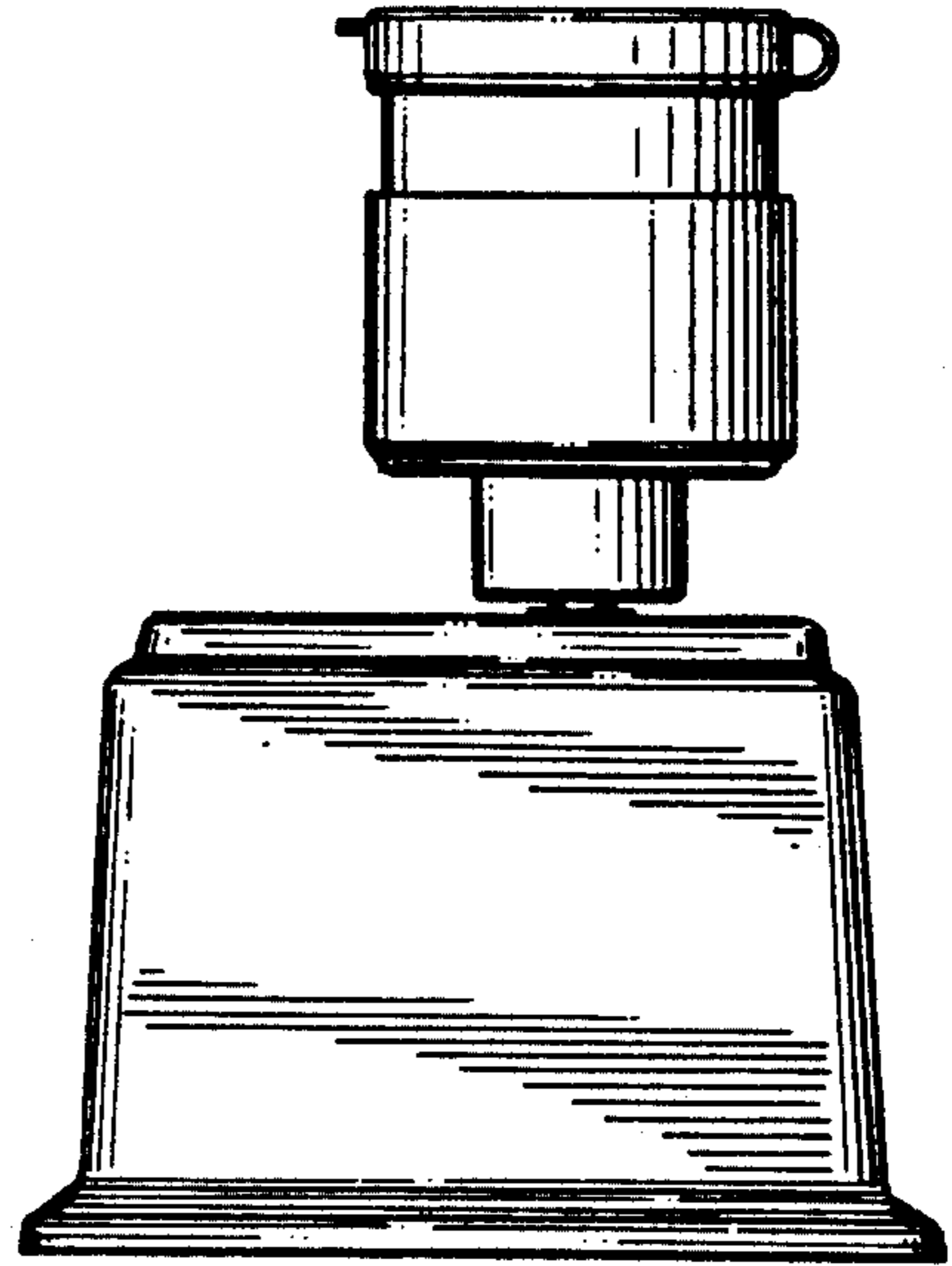


FIG. 3

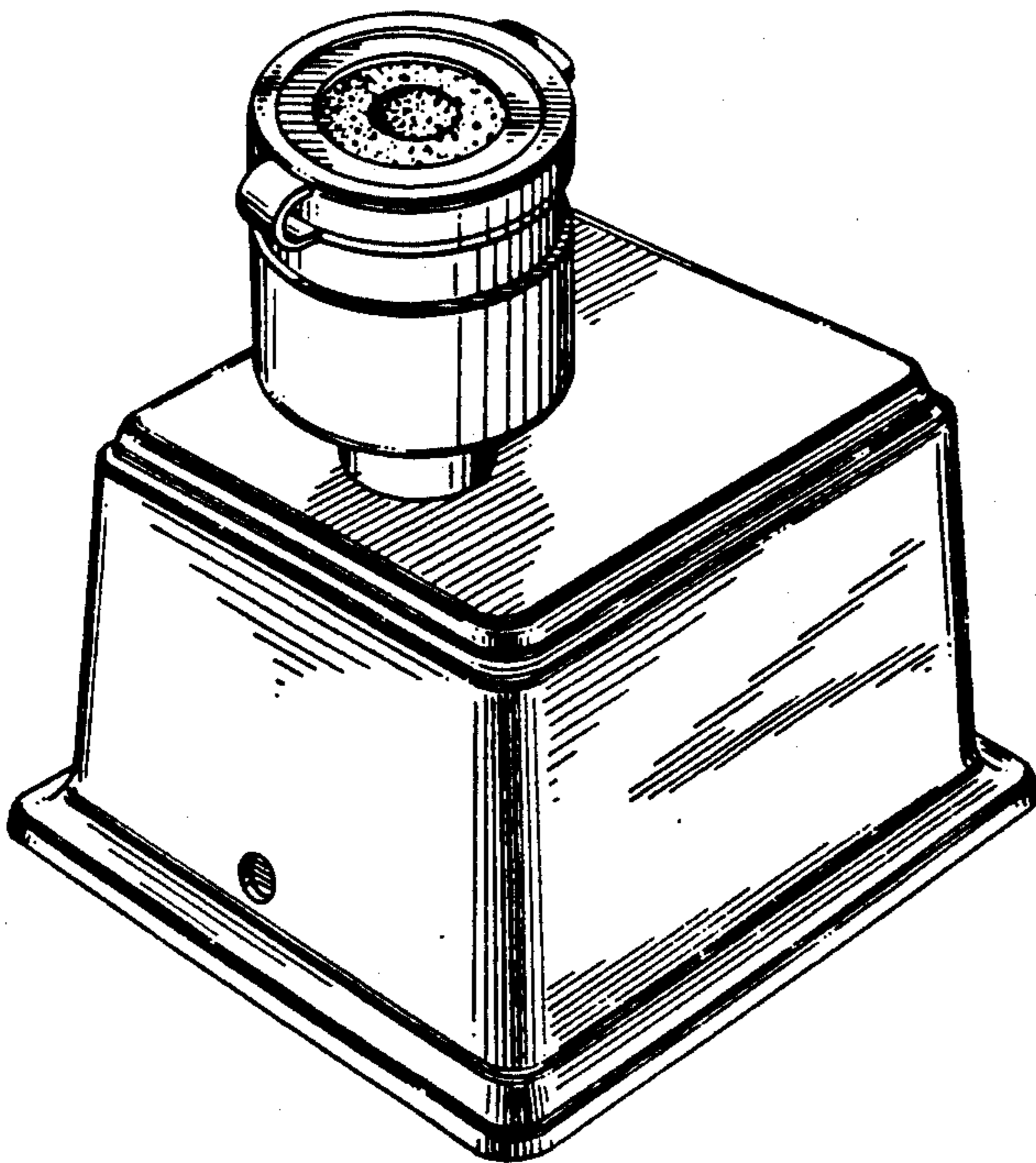


FIG. 4

