



US00D329304S

# United States Patent [19]

[11] Patent Number: **Des. 329,304**

**Tipp**

[45] Date of Patent: **\*\* Sep. 8, 1992**

[54] **STAND FOR HANDHELD CURLING IRON OR SIMILAR ARTICLE**

4,093,171	6/1978	Mengo, Sr. ....	248/515
4,103,145	7/1978	Oliveri .....	219/222
4,159,096	6/1979	Chase .....	248/523
4,308,878	1/1982	Silva .....	219/242 X
4,456,816	6/1984	Fortune .....	219/242
4,662,022	5/1987	Vogler .....	219/242 X

[76] Inventor: **Charles S. Tipp, 6427 Quarry La., Dublin, Ohio 43017**

[\*\*] Term: **14 Years**

### FOREIGN PATENT DOCUMENTS

[21] Appl. No.: **499,672**

382385	11/1964	Switzerland .....	248/346
2042326	9/1980	United Kingdom .	

[22] Filed: **Mar. 27, 1990**

[52] U.S. Cl. .... **D28/38**

[58] Field of Search ..... **D28/38, 18, 73, 61; D8/71; D19/84, 85; D6/512, 524, 466, 469, 462; 219/222, 242; 248/176, 117.1-117.7, 346, 309.1, 314, 146; 211/13, 60.1, 69.1, 69.5, 70.1**

*Primary Examiner*—Bernard Ansher  
*Assistant Examiner*—C. Tuttle  
*Attorney, Agent, or Firm*—Vorys, Sater, Seymour & Pease

### [56] References Cited

#### U.S. PATENT DOCUMENTS

D. 149,171	4/1948	Cohen .....	D6/466 X
D. 217,789	6/1970	Oddo .....	D19/85
D. 223,101	3/1972	Sylvester .....	D6/462
D. 223,968	6/1972	Collura .....	D19/84 X
D. 305,944	2/1990	Mellott .....	D28/38
1,474,428	11/1923	Bain .....	248/346
1,502,385	7/1924	Havenstein .....	248/176 X
2,169,965	8/1939	Neidermaier .....	248/538
3,294,348	12/1966	Cerisano .....	248/117.4
3,946,196	3/1976	Waters et al. ....	219/222
3,964,708	6/1976	Reeves .....	248/126

### [57] CLAIM

The ornamental design for a stand for handheld curling iron or similar article, as shown and described.

### DESCRIPTION

FIG. 1 is a right side elevational view of a stand for a handheld curling iron or similar article showing my new design, the side opposite being a mirror image of the side shown;

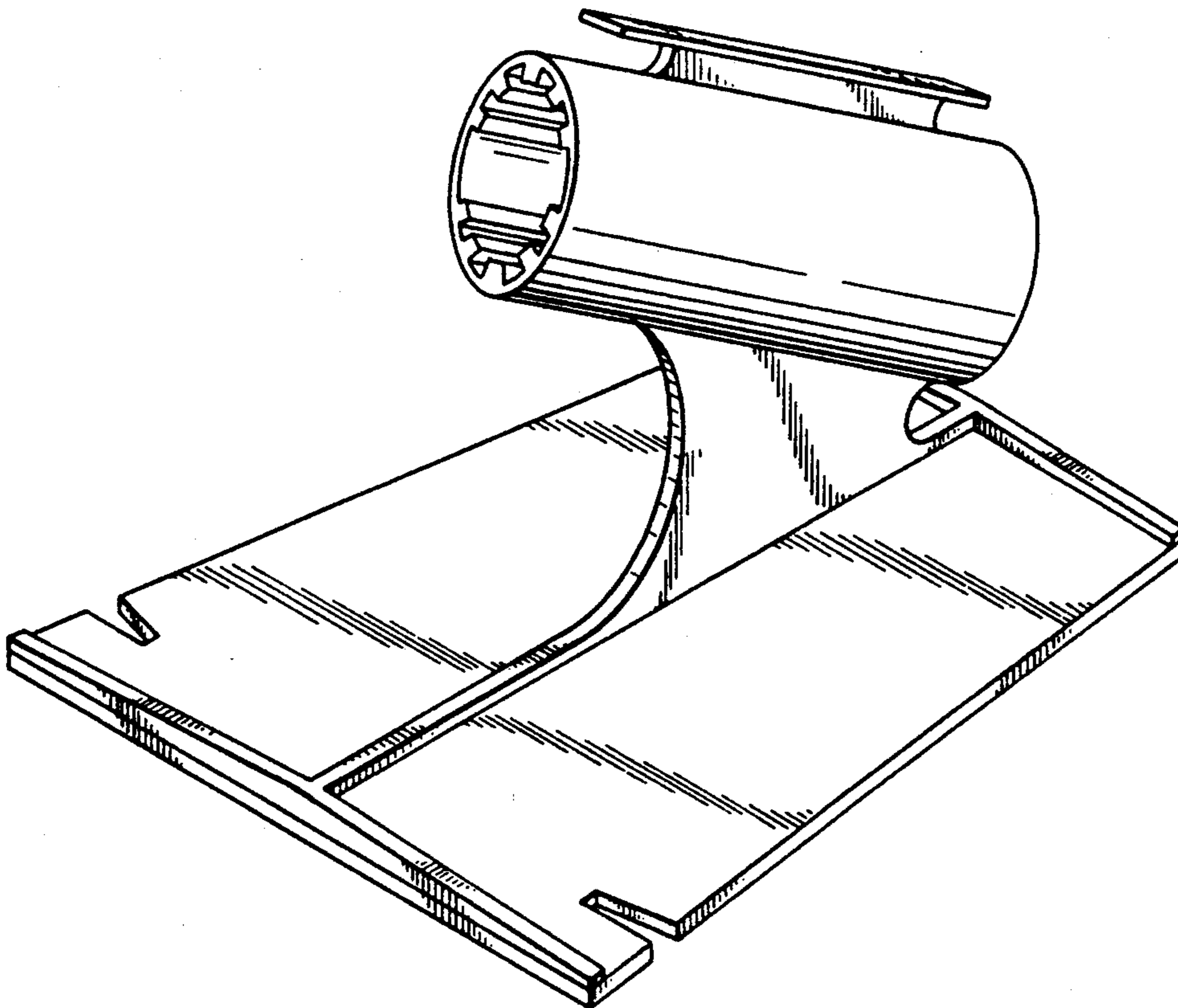
FIG. 2 is a top plan view thereof;

FIG. 3 is a front elevational view thereof;

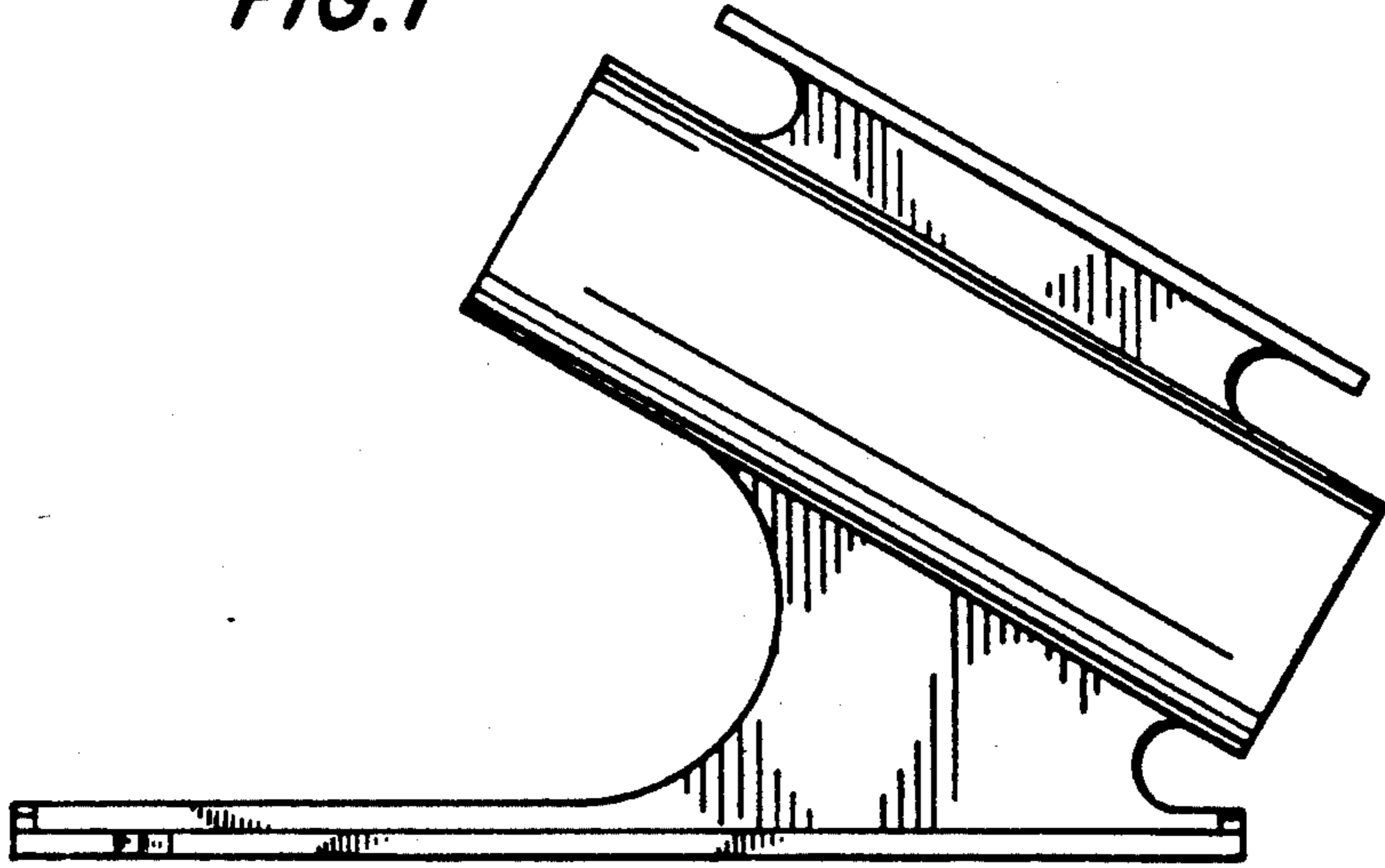
FIG. 4 is a rear elevational view thereof;

FIG. 5 is a bottom plan view thereof; and,

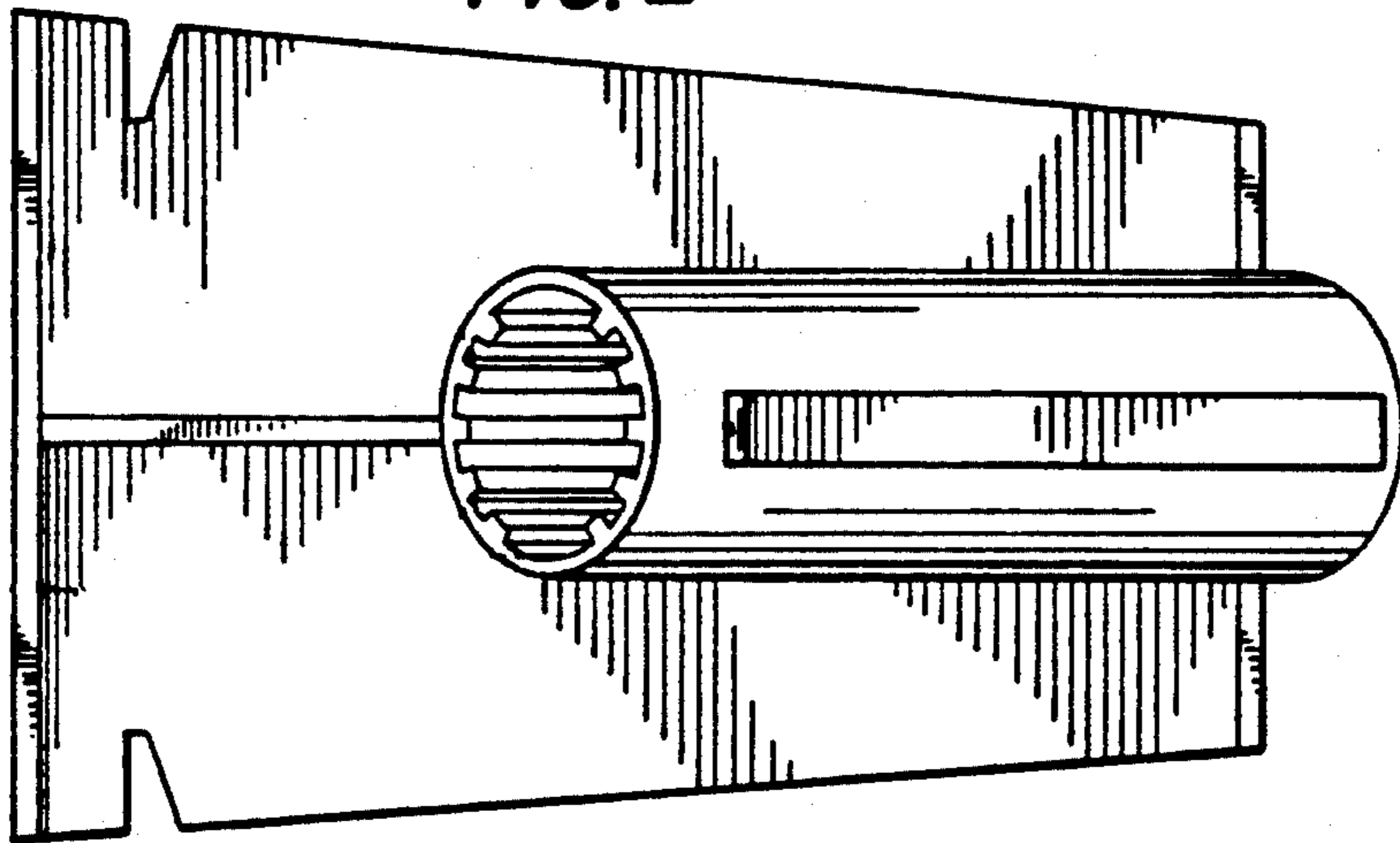
FIG. 6 is a perspective view thereof.



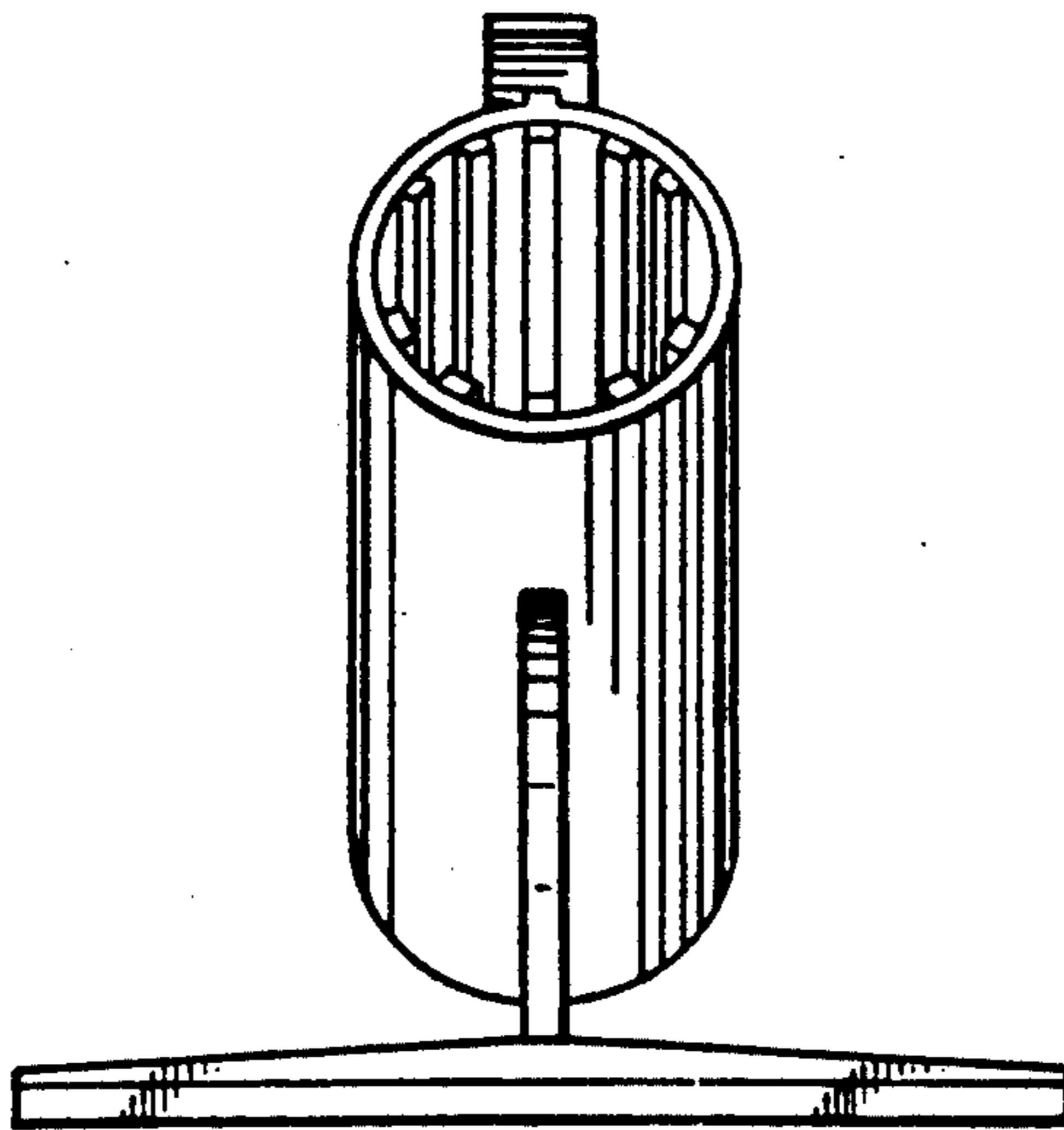
**FIG. 1**



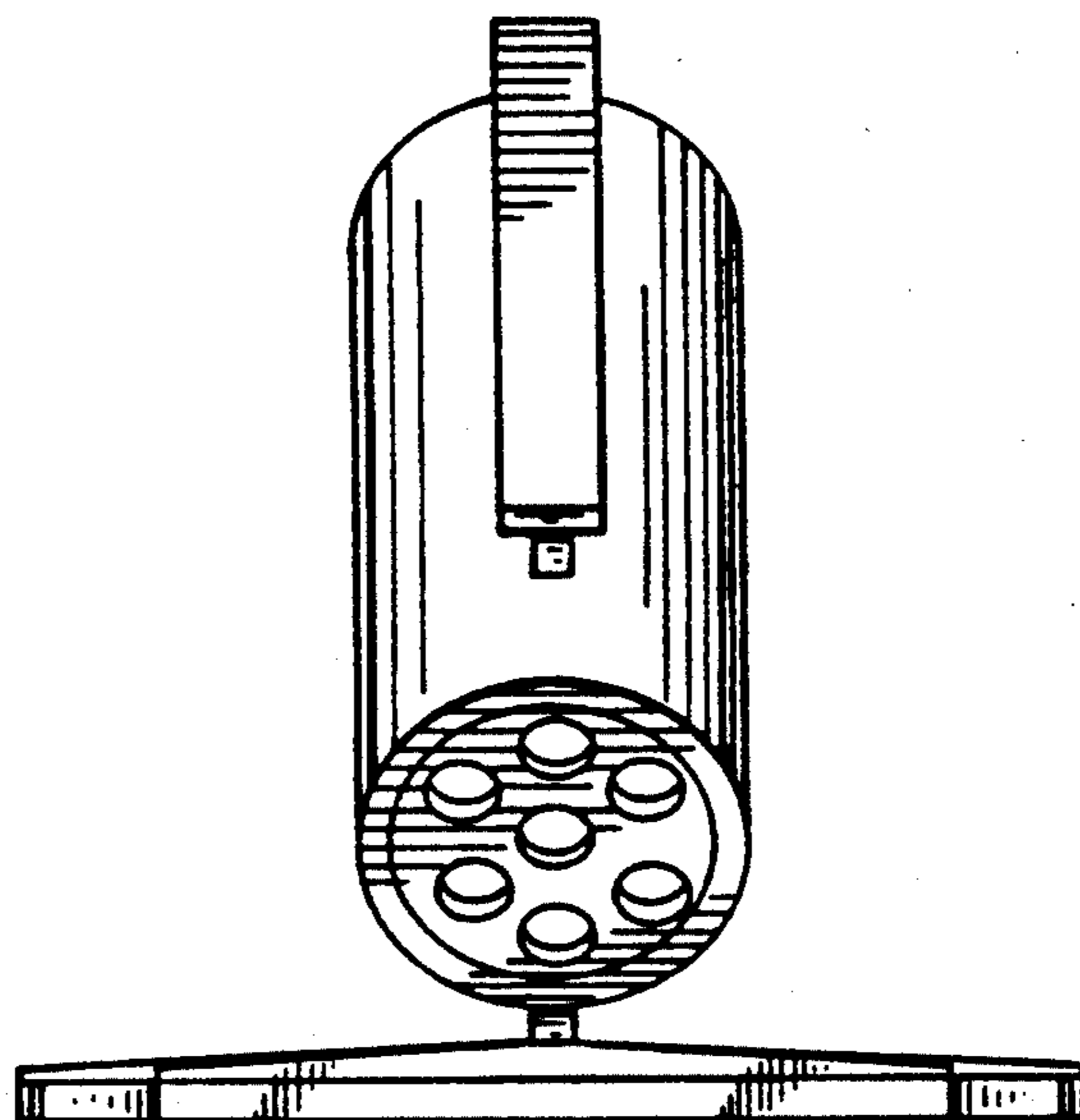
**FIG. 2**



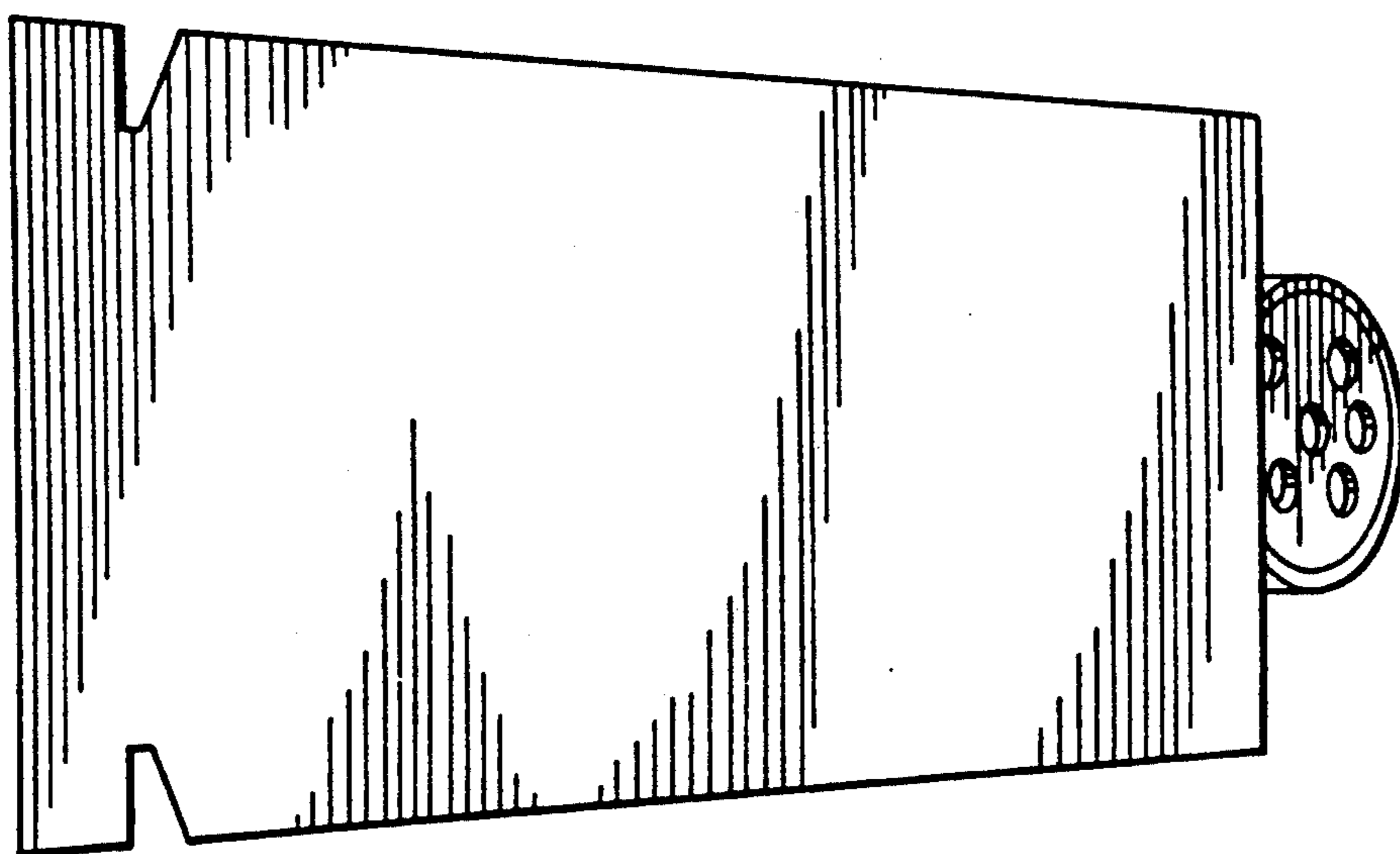
**FIG. 3**



**FIG. 4**



**FIG. 5**



**FIG. 6**

