



US00D329301S

# United States Patent [19]

[11] Patent Number: **Des. 329,301**

Leonard

[45] Date of Patent: **\*\* Sep. 8, 1992**

[54] ILLUMINATED SCULPTURE

4,812,954 3/1989 Marton ..... 362/806 X

[76] Inventor: **Miranda Leonard**, Church Court Condominiums, 492 Beacon St., Boston, Mass. 02115

### OTHER PUBLICATIONS

American Home, Oct. 1969, p. 81, Flashing Cube. Habitat Architectural Supplements, 1976, single page Table Lamp 9306.

[\*\*] Term: **14 Years**

*Primary Examiner*—Susan J. Lucas  
*Attorney, Agent, or Firm*—Townsend and Townsend

[21] Appl. No.: **533,040**

### [57] CLAIM

[22] Filed: **Jun. 4, 1990**

The ornamental design for an illuminated sculpture, as shown and described.

[52] U.S. Cl. .... **D26/104; D11/131; D11/157; D26/110**

[58] Field of Search ..... **D26/93, 102-112; 362/410, 411, 412, 413, 414, 437, 806, 367, 352; D11/131, 157**

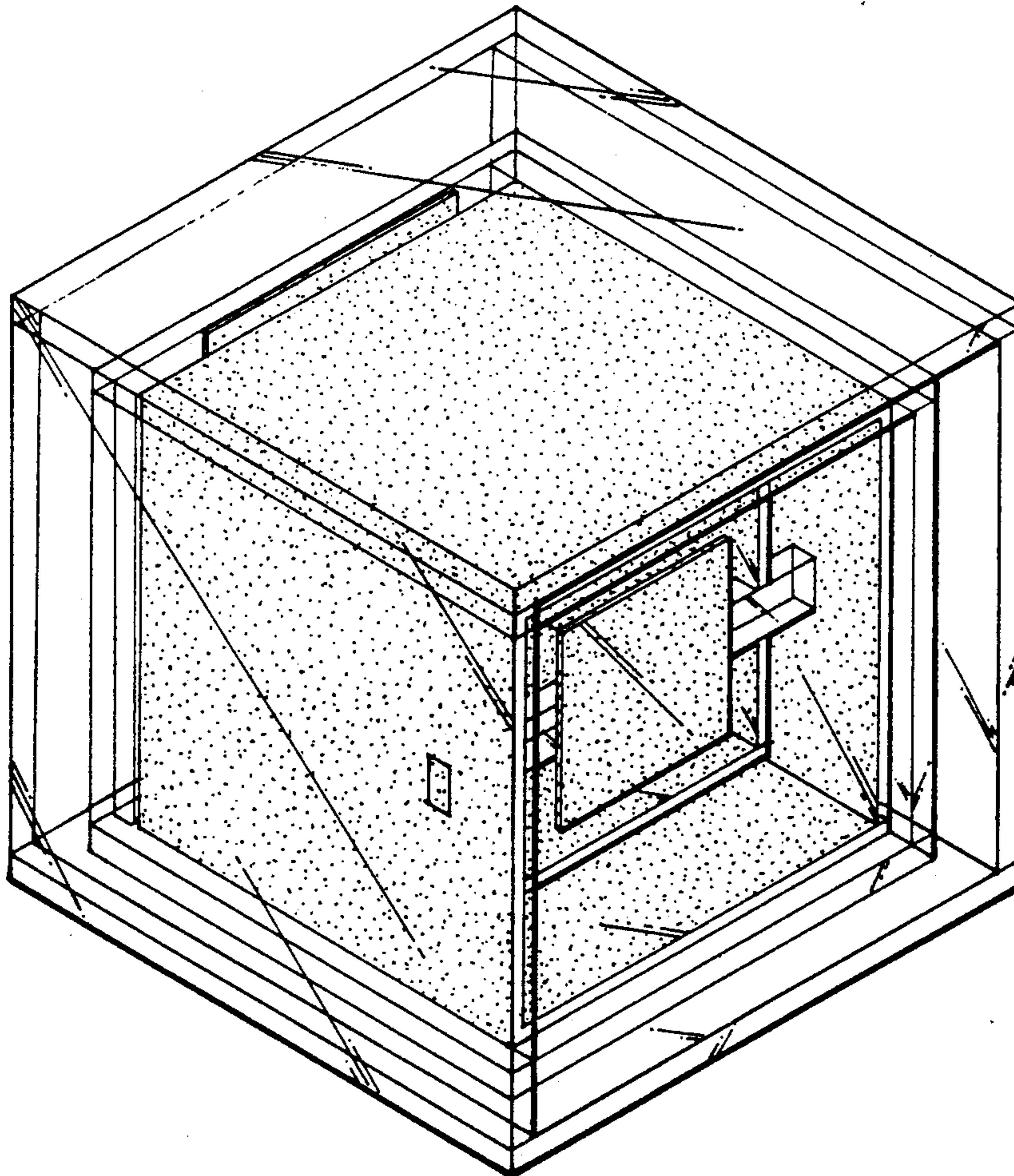
### DESCRIPTION

### [56] References Cited

#### U.S. PATENT DOCUMENTS

D. 145,026	6/1946	Karp .....	D26/104
D. 153,585	5/1949	Culwell .....	D26/104
D. 245,285	8/1977	Whitesel .....	D26/104
3,689,762	9/1972	Shatan .....	362/352 X
3,840,732	10/1974	Cohen .....	D26/93 X

FIG. 1 is a front isometric view of an illuminated sculpture showing my new design; FIG. 2 is a back isometric view thereof; FIG. 3 is a top plan view thereof; FIG. 4 is a front elevational view thereof; FIG. 5 is a back elevational view thereof; FIG. 6 is a right side elevational view thereof; and, FIG. 7 is a left side elevational view thereof. The stippled surfaces of the design are translucent.



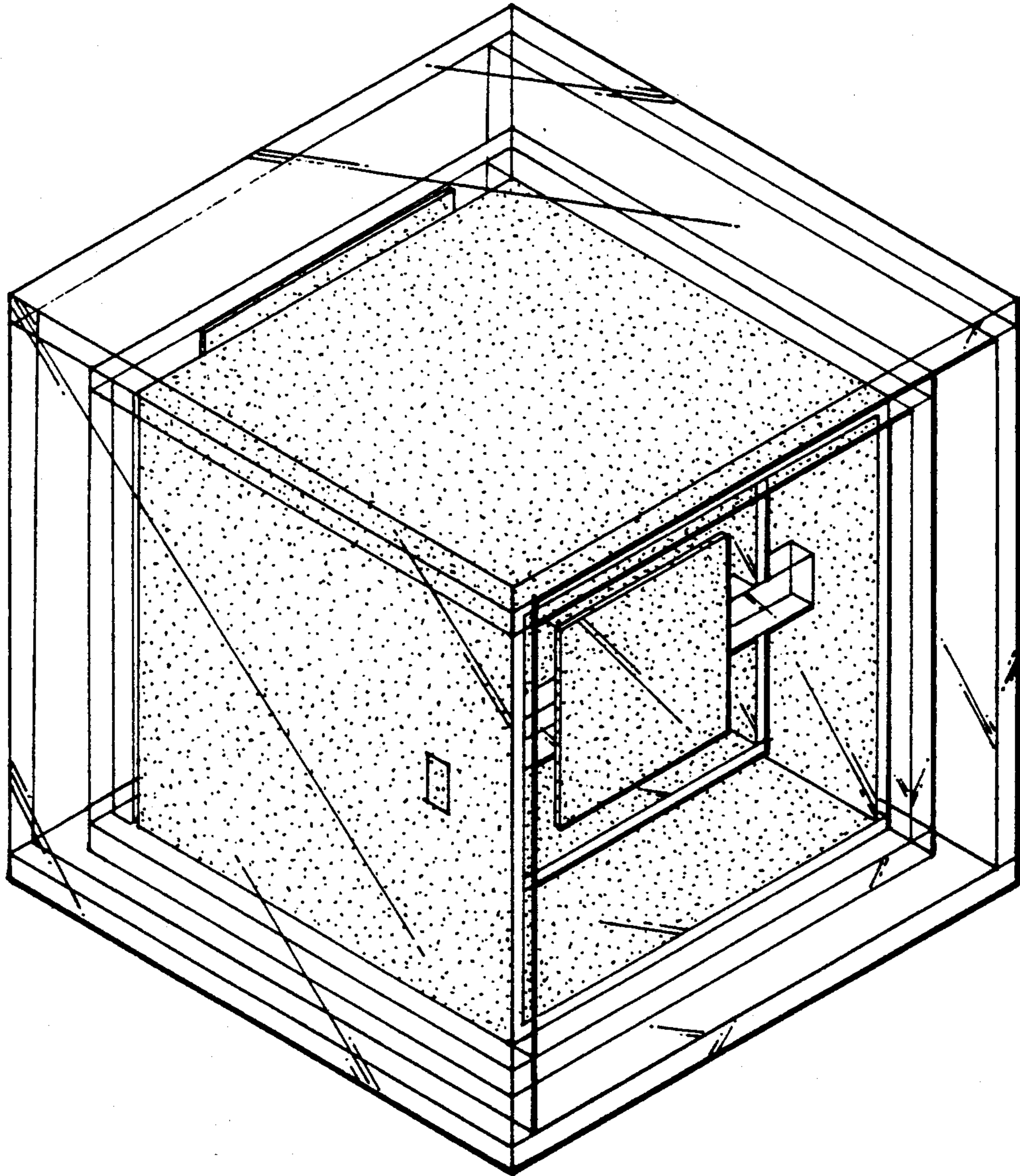


FIG. 1.

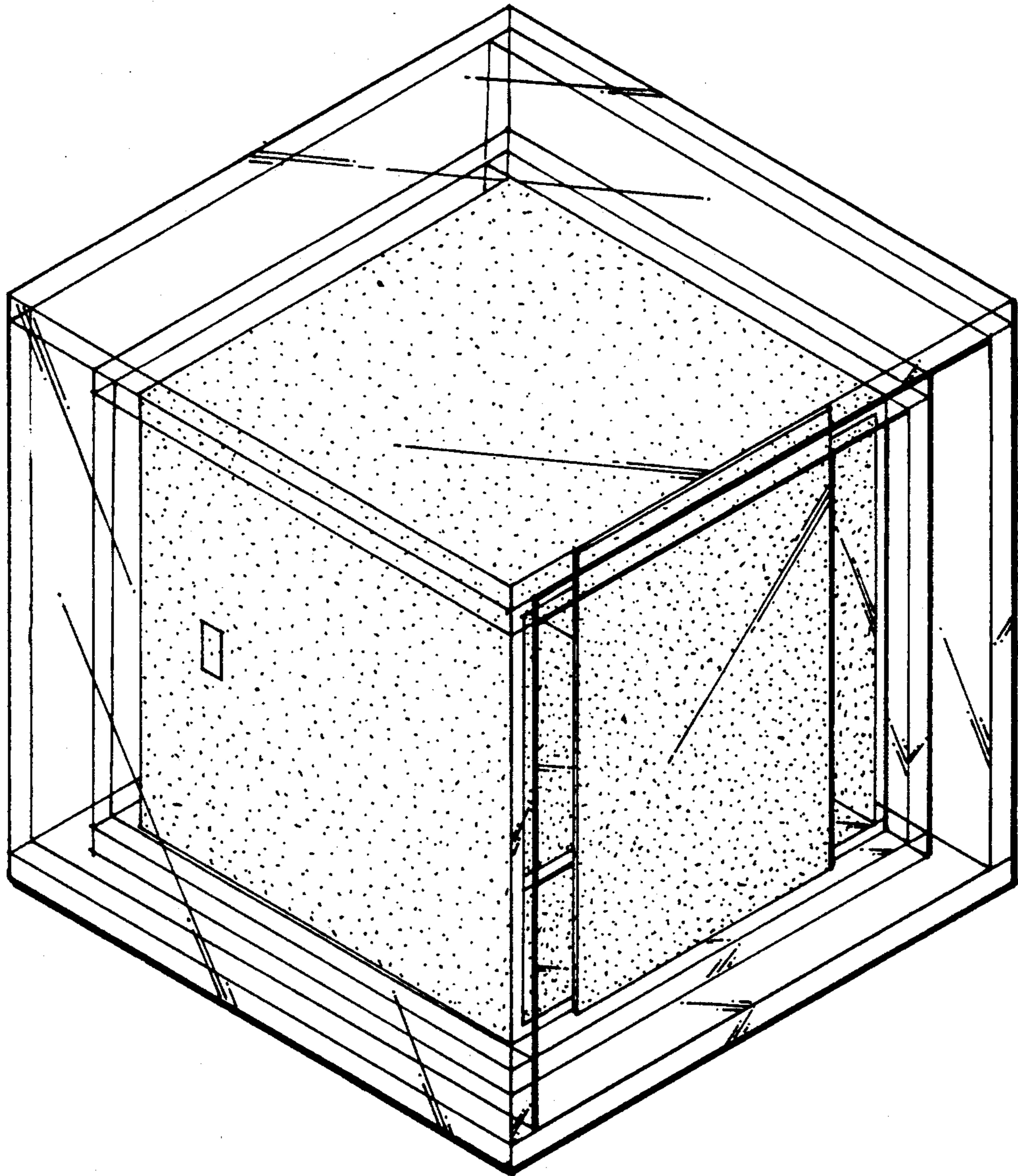


FIG. 2.

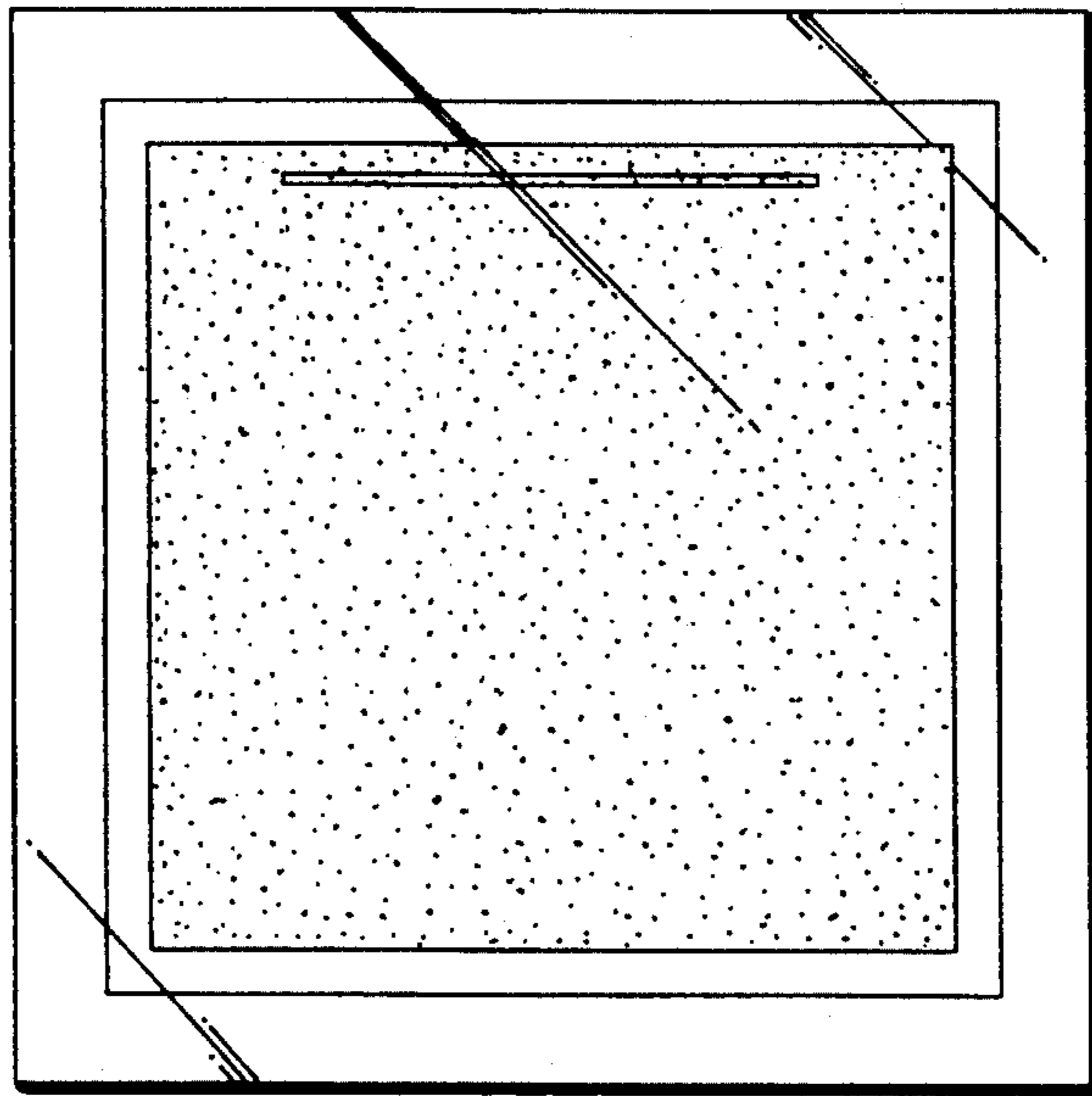


FIG. 3.

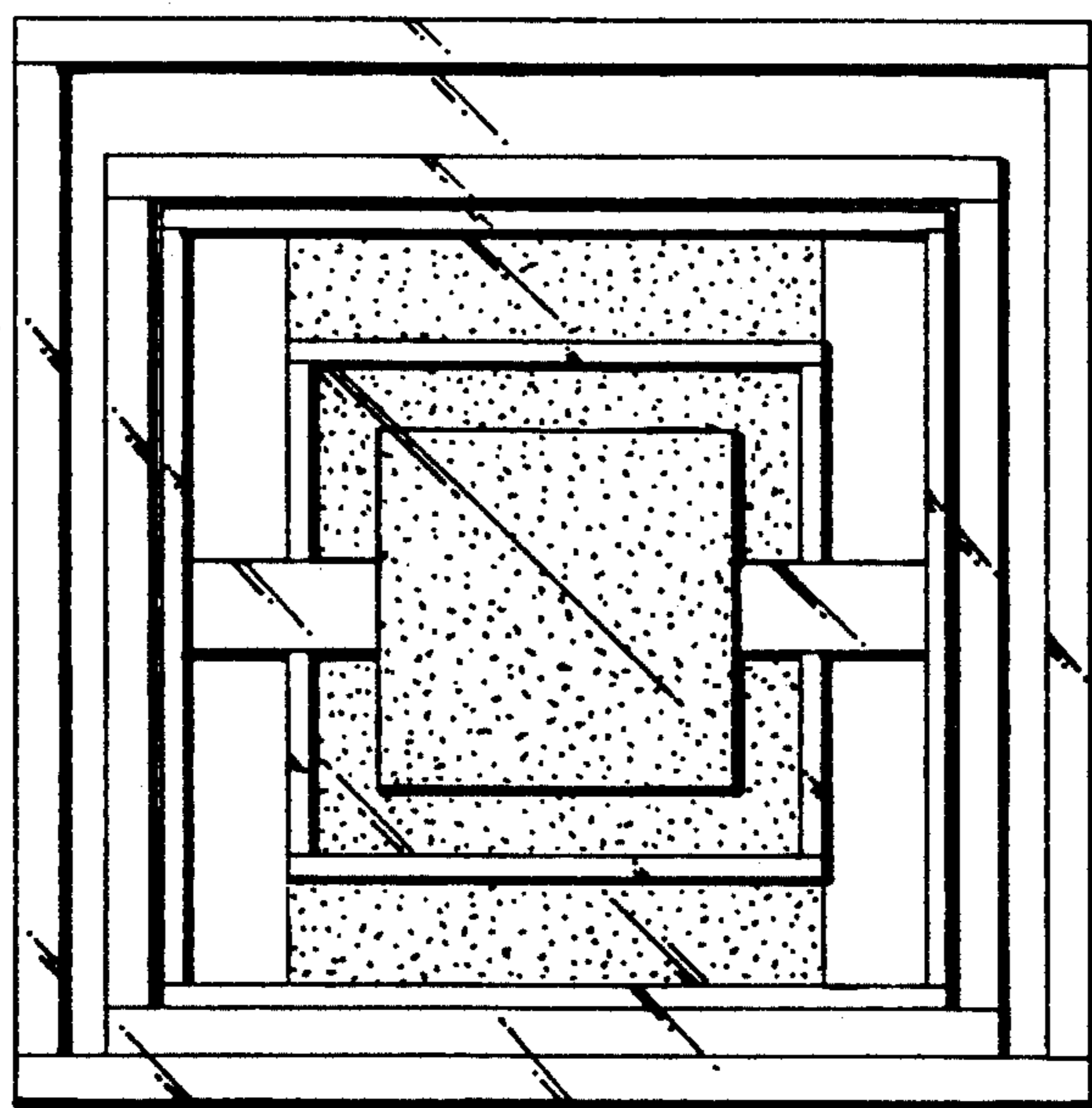


FIG. 4.

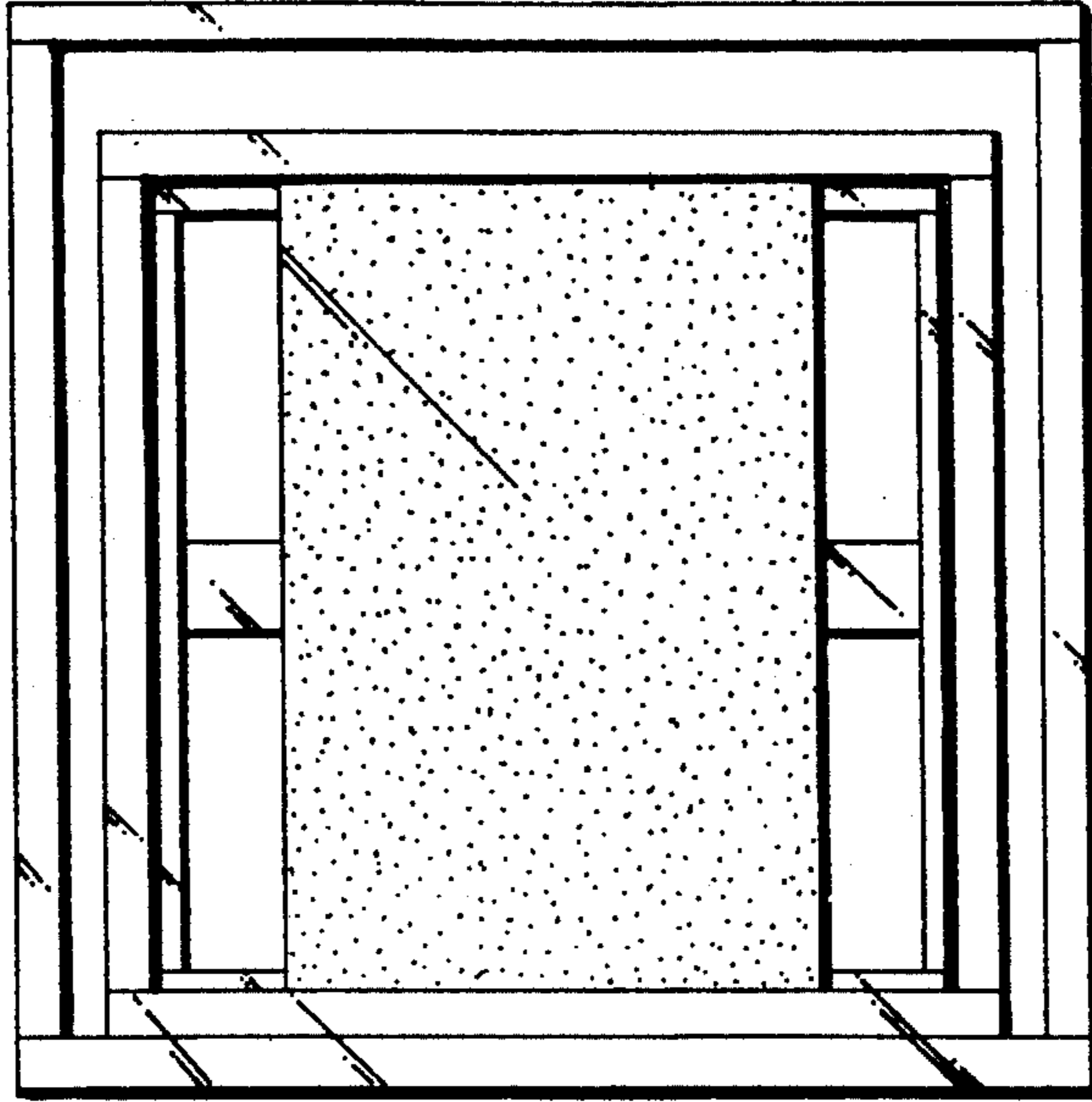


FIG. 5.

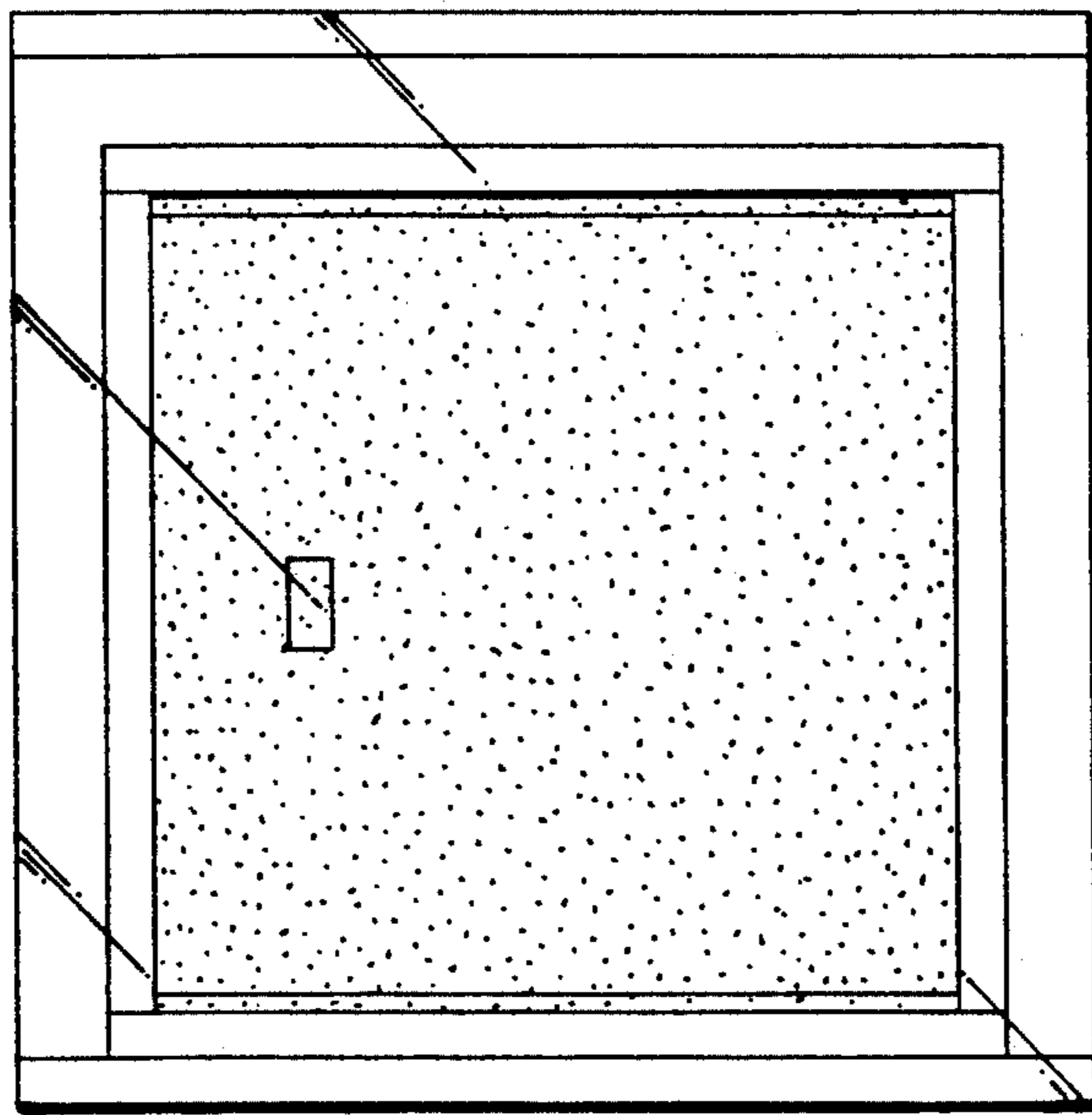
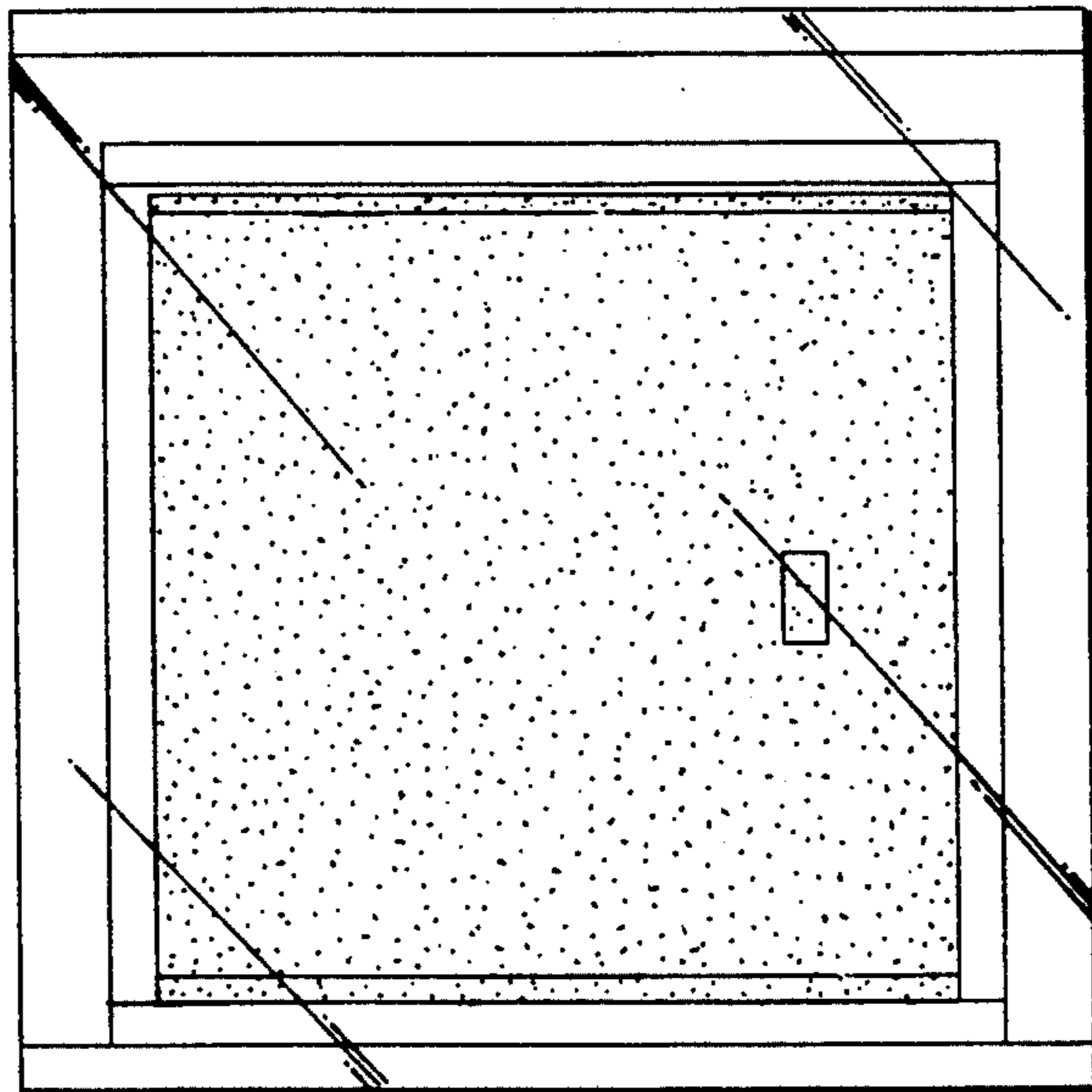


FIG. 6.



*FIG. 7.*