



US00D329277S

# United States Patent [19]

Keske et al.

[11] Patent Number: **Des. 329,277**

[45] Date of Patent: **\*\* Sep. 8, 1992**

[54] URETHANE FOAM GUN

[76] Inventors: **David G. Keske**, 1510 Page Ind. Blvd., St. Louis, Mo. 63132; **Donald L. Kahmke**; **Donald R. Kahmke**, both of 12940 Bellefontaine, St. Louis, Mo. 63138

[\*\*] Term: **14 Years**

[21] Appl. No.: **450,728**

[22] Filed: **Dec. 14, 1989**

[52] U.S. Cl. .... **D23/226**

[58] Field of Search ..... **D23/213, 223-227; 222/1, 132, 135, 137, 141, 145, 148-149, 485, 513; 239/112-118, 414-415, 525-528; D8/29.1**

[56] **References Cited**

**U.S. PATENT DOCUMENTS**

D. 285,960 9/1986 Keske ..... D23/226  
4,159,079 6/1979 Phillips, Jr. .  
4,262,284 4/1981 Stitzer et al. .... 239/112

4,377,256 3/1983 Commette et al. .  
4,399,930 8/1983 Harding ..... 222/145  
4,550,863 11/1985 Farrey ..... 239/414 X  
4,838,458 6/1989 Davidson ..... 222/135  
4,993,596 2/1991 Brown ..... 239/526 X

*Primary Examiner*—Susan J. Lucas  
*Assistant Examiner*—M. H. Tung  
*Attorney, Agent, or Firm*—Sandler, Greenblum & Bernstein

[57] **CLAIM**

The ornamental design for a urethane foam gun, as shown and described.

**DESCRIPTION**

FIG. 1 is a perspective view of a urethane foam gun showing our new design;  
FIG. 2 is a front elevational view thereof;  
FIG. 3 is a rear elevational view thereof;  
FIG. 4 is a top plan view thereof;  
FIG. 5 is a bottom plan view thereof;  
FIG. 6 is a right side elevational view thereof; and,  
FIG. 7 is a left side elevational view thereof.

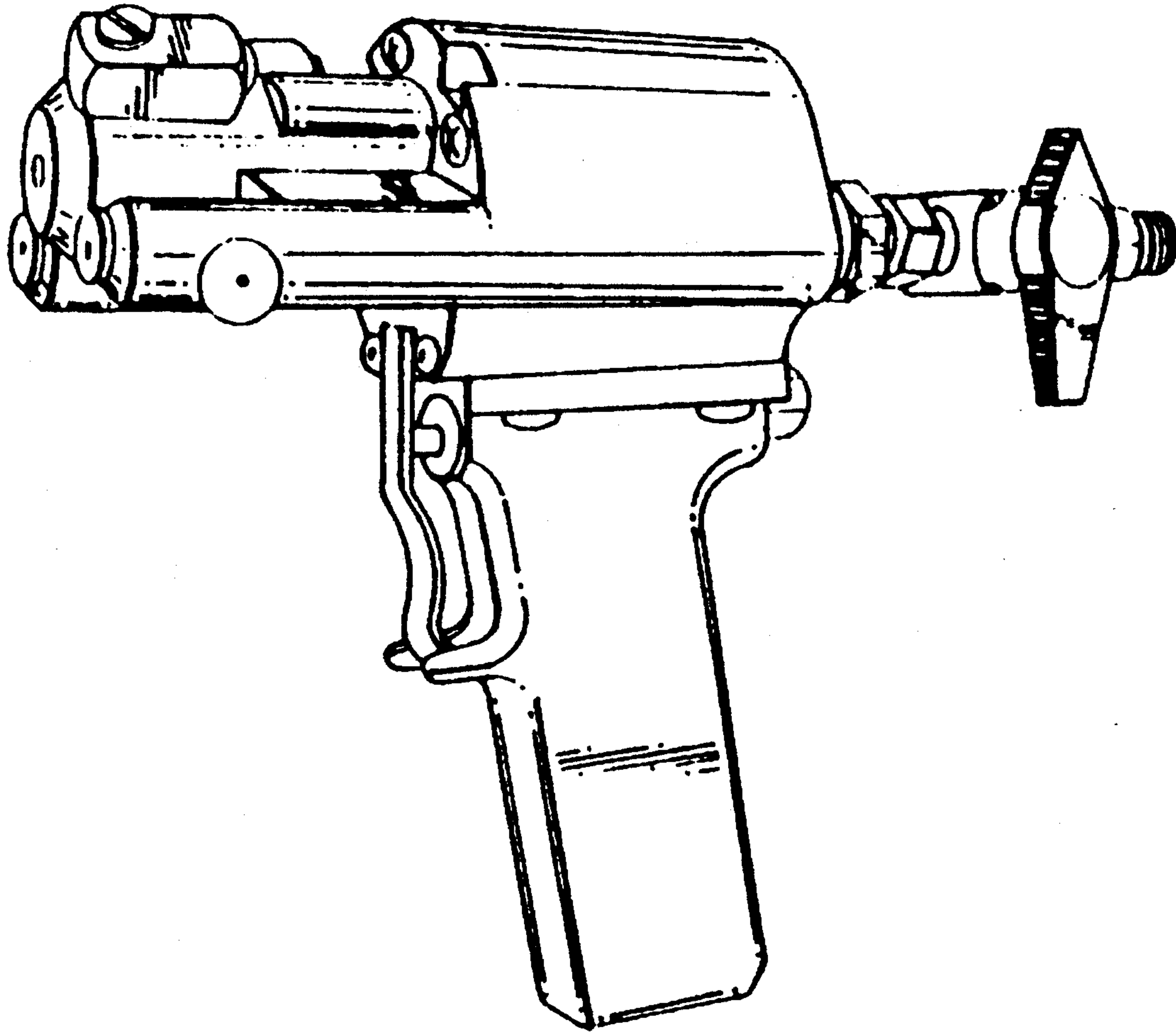


Fig. 1

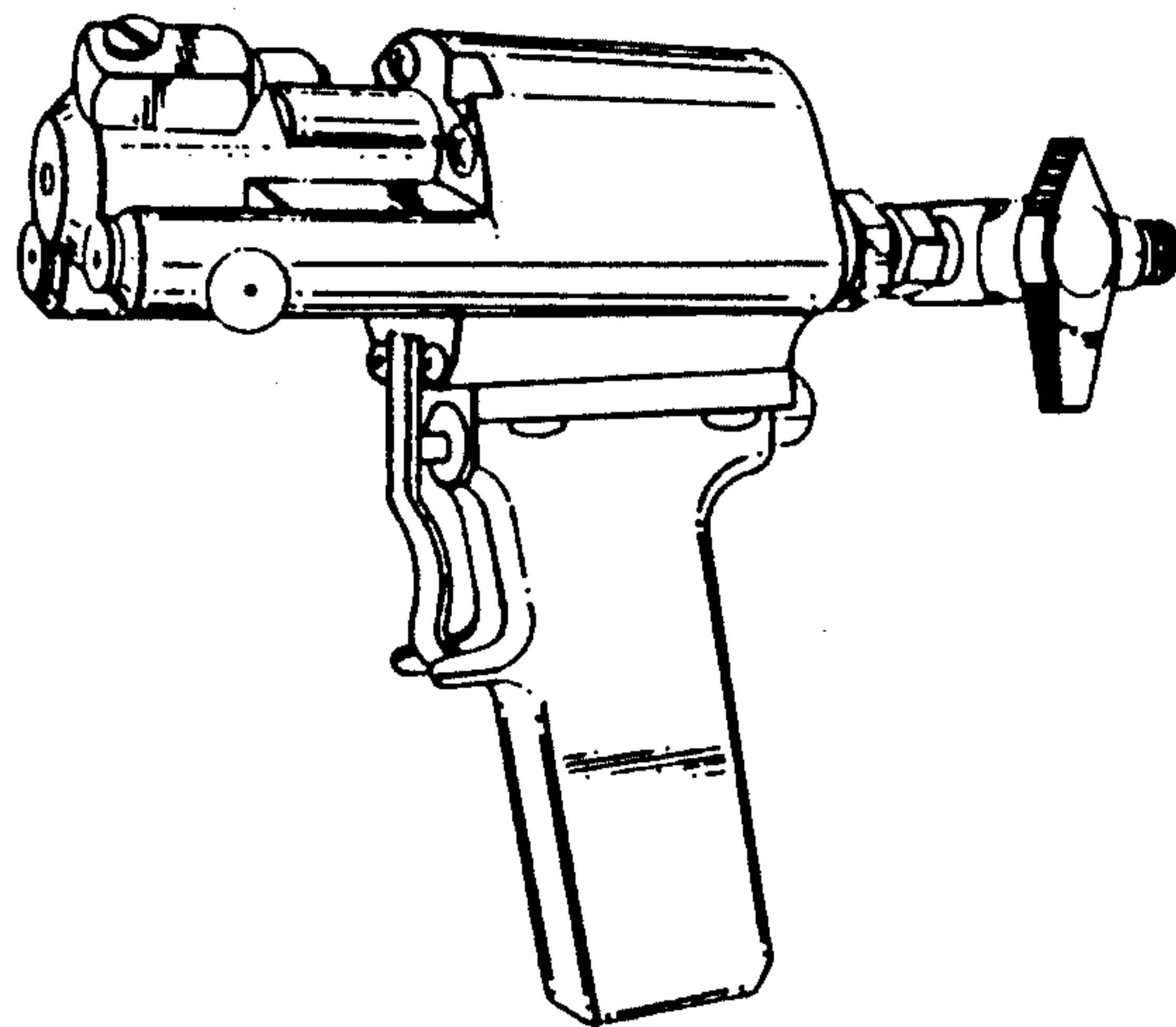


Fig. 2

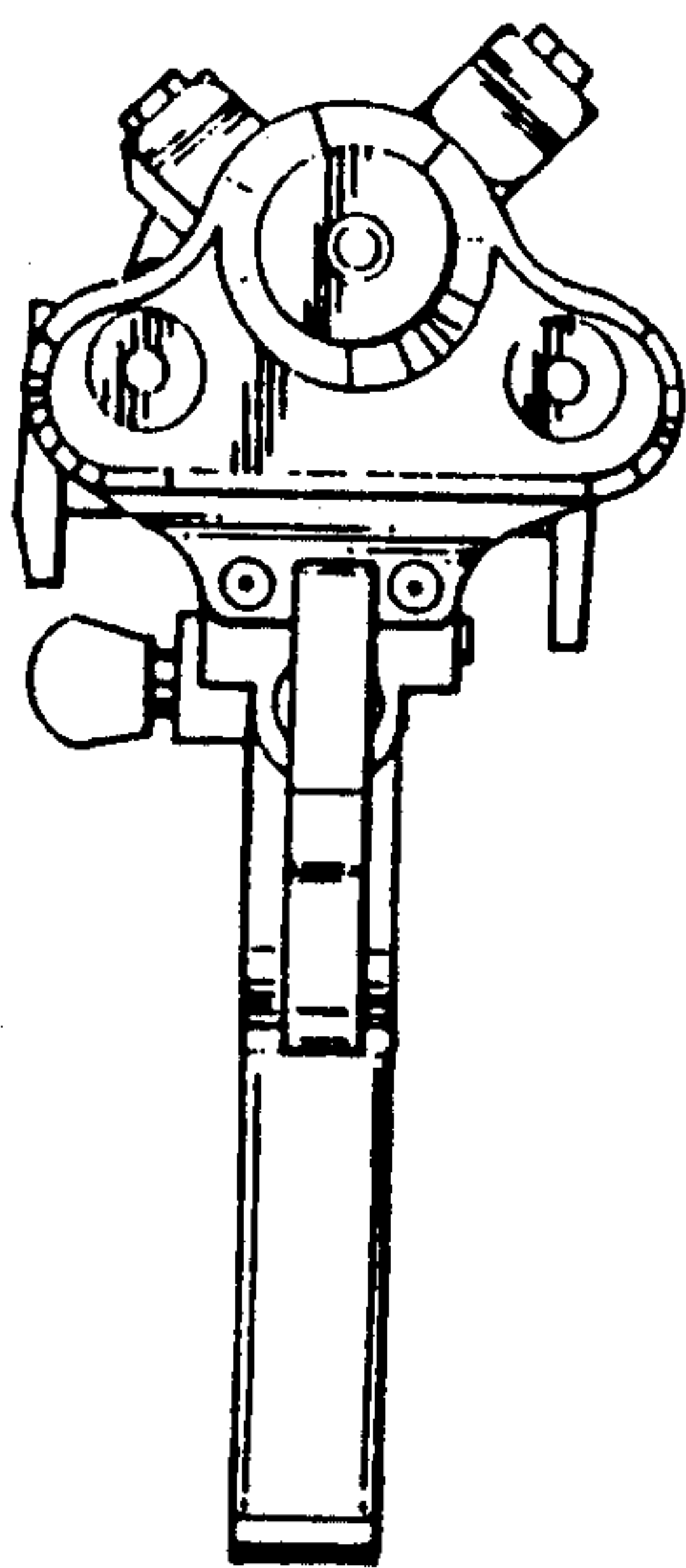
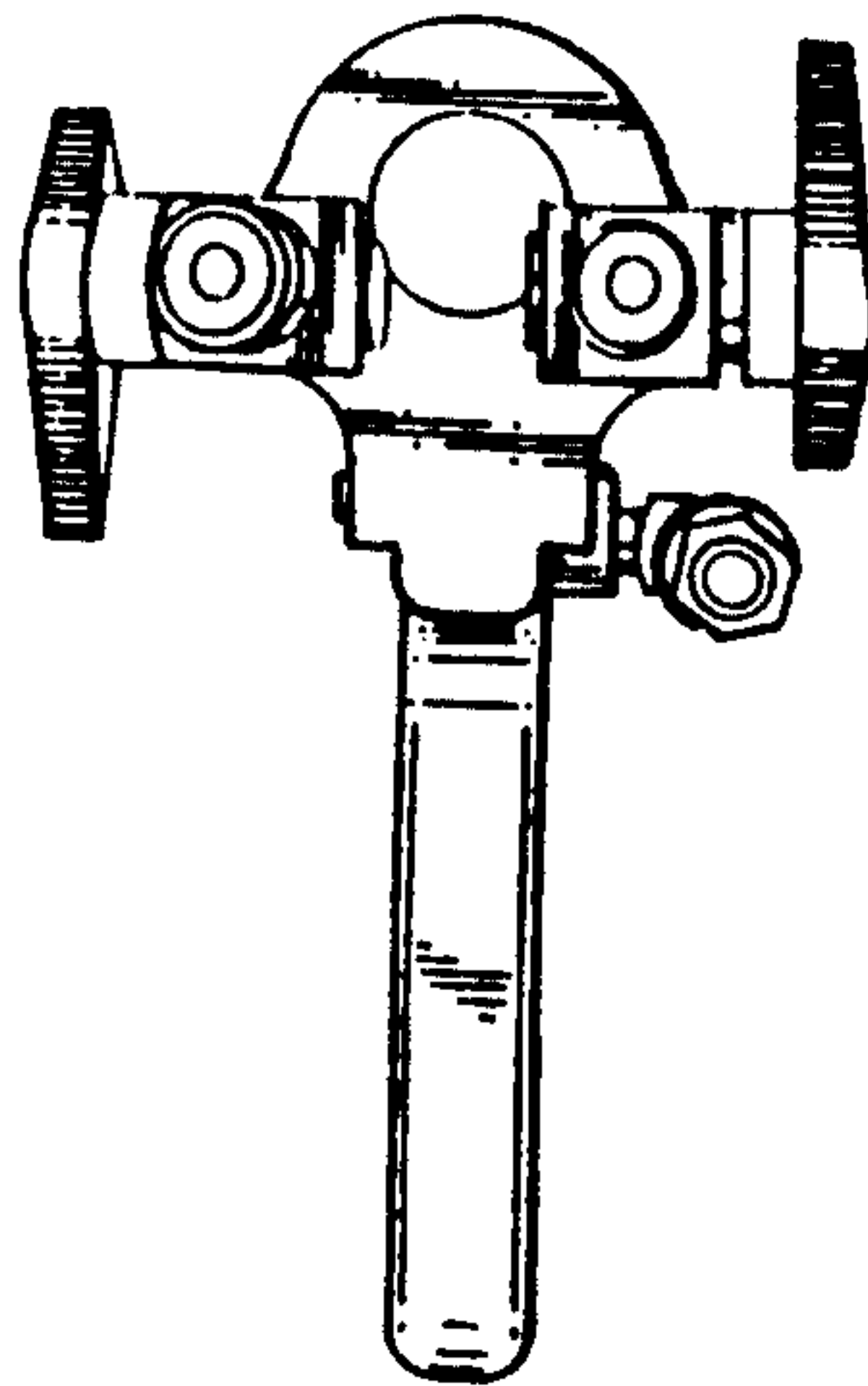


Fig. 3



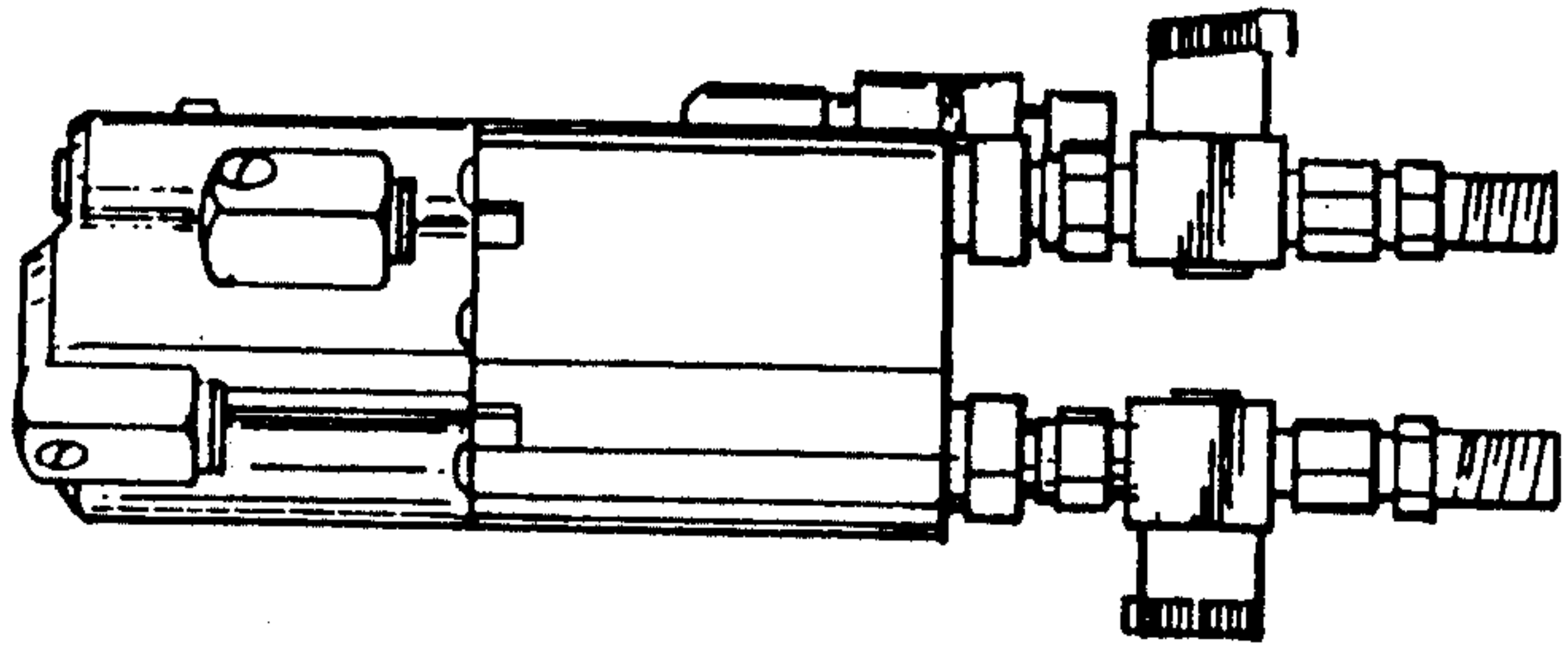


Fig. 4

Fig. 5

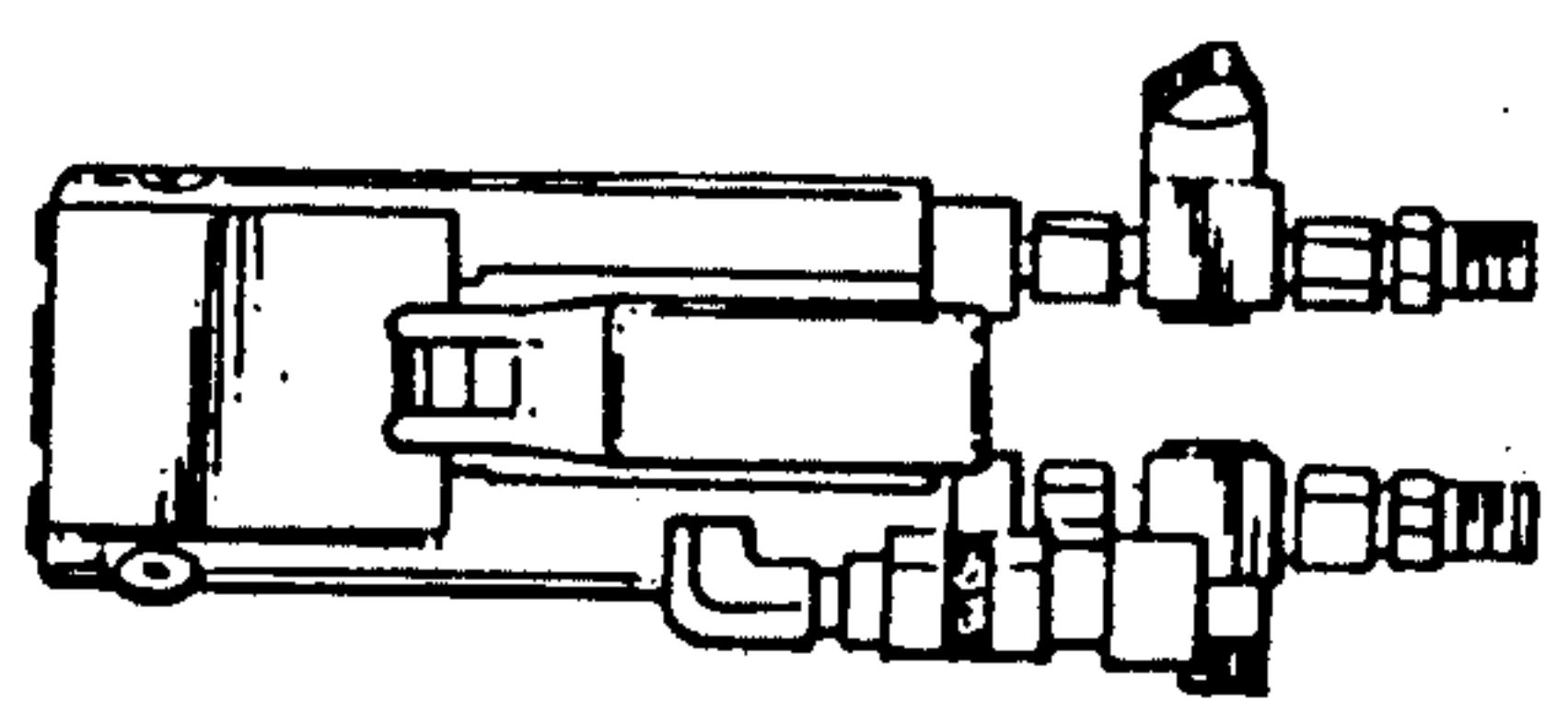


Fig. 6

