



US00D329271S

United States Patent [19]

[11] Patent Number: **Des. 329,271**

Shiozaki

[45] Date of Patent: **** Sep. 8, 1992**

[54] **FISHING REEL BODY**

[75] Inventor: **Akihisa Shiozaki, Musashino, Japan**

[73] Assignee: **Daiwa Seiko, Inc., Tokyo, Japan**

[**] Term: **14 Years**

[21] Appl. No.: **473,191**

[22] Filed: **Jan. 31, 1990**

[30] **Foreign Application Priority Data**

Aug. 1, 1989 [JP] Japan 1-28380

[52] U.S. Cl. **D22/141**

[58] Field of Search **D22/141; 242/230-233, 242/224, 245, 246**

[56] **References Cited**

U.S. PATENT DOCUMENTS

D. 300,766	4/1989	Iinuma	D22/141
D. 300,844	4/1989	Hiraishi et al.	D22/141
D. 307,785	5/1990	Yoshikawa	D22/141
D. 309,340	7/1990	Kameda et al.	D22/141
D. 309,650	7/1990	Kameda et al.	D22/141
D. 315,777	3/1991	Kameda et al.	D22/141
D. 316,443	4/1991	Yoshikawa et al.	D22/141
D. 321,741	11/1991	Kameda et al.	D22/141

OTHER PUBLICATIONS

Japanese Design Journal (S) issued on Jun. 1, 1985; Japanese Design Registration No. 652501 (Registrant: Shimano Industrial Company Limited), pp. 111-112.

Japanese Design Journal (S) issued on Jun. 8, 1985; Japanese Design Registration No. 652503-Similar Design No. 1 (Registrant: Shimano Industrial Company Limited), pp. 123-124.

Japanese Design Journal (S) issued on Sep. 3, 1987; Japanese Design Registration No. 652503-Similar De-

sign No. 3 (Registrant; Shimano Industrial Company Limited), pp. 167-168.

Japanese Design Journal (S) issued on Dec. 23, 1985; Japanese Design Registration No. 668839 (Registrant: Shimano Industrial Company Limited), pp. 143-144.

Japanese Design Journal (S) issued on Sep. 2, 1987; Japanese Design Registration No. 712317 (Registrant: Shimano Industrial Company Limited), pp. 89-90.

Japanese Design Journal (S) issued on Apr. 6, 1988; Japanese Design Registration No. 728883 (Registrant: Daiwa Seiko, Inc.), pp. 59-60.

Japanese Design Journal (S) issued on Jun. 12, 1989; Japanese Design Registration No. 763964 (Registrant: Daiwa Seiko, Inc.), pp. 161-162.

Japanese Design Journal (S) issued on Jun. 12, 1989; Japanese Design Registration No. 763965 (Registrant: Daiwa Seiko, Inc.), pp. 163-164.

Japanese Design Journal (S) issued on Aug., 4, 1989; Japanese Design Registration No. 767482 (Registrant: Daiwa Seiko, Inc.), pp. 87-88.

Primary Examiner—A. Hugo Word
Assistant Examiner—Doris V. Coles
Attorney, Agent, or Firm—Cushman, Darby & Cushman

[57] **CLAIM**

The ornamental design for a fishing reel body, as shown and described.

DESCRIPTION

FIG. 1 is a front and right side perspective view of a fishing reel body, showing my new design;

FIG. 2 is a rear, top and left side perspective view thereof;

FIG. 3 is a right side elevational view thereof;

FIG. 4 is a left side elevational view thereof;

FIG. 5 is a top plan view thereof;

FIG. 6 is a bottom plan view thereof;

FIG. 7 is a front elevational view thereof; and,

FIG. 8 is a rear elevational view thereof.

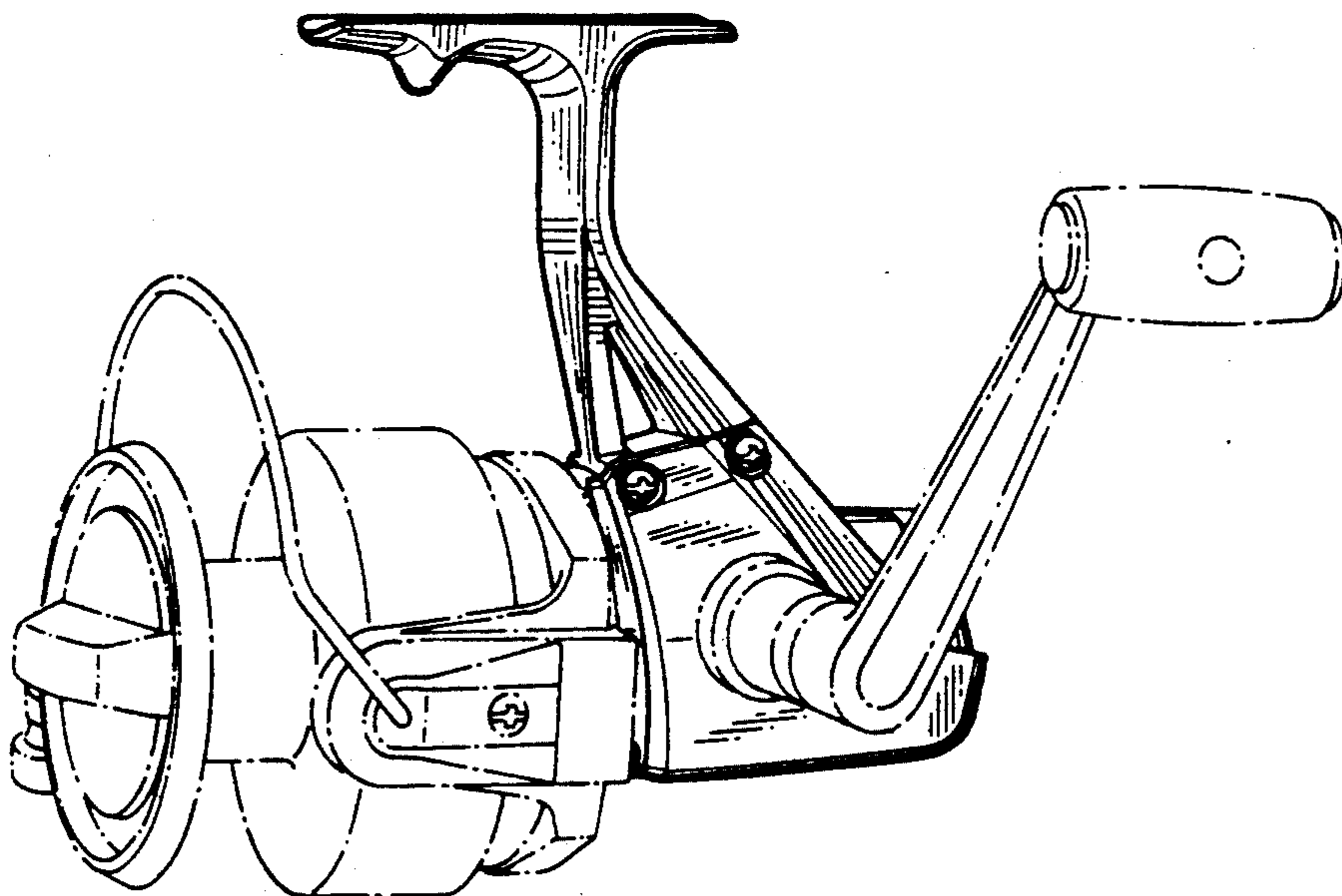


Fig. 1

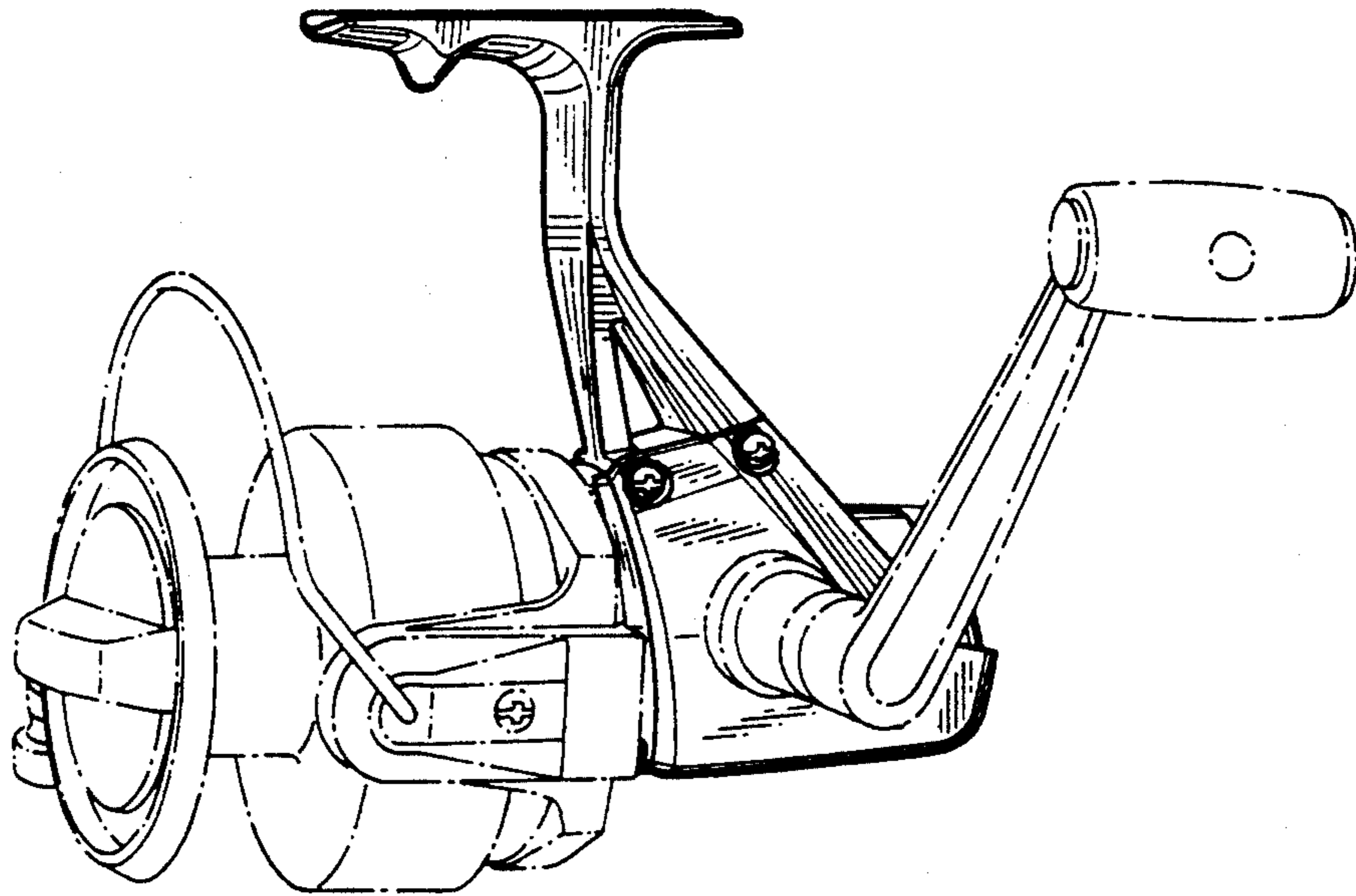


Fig. 2

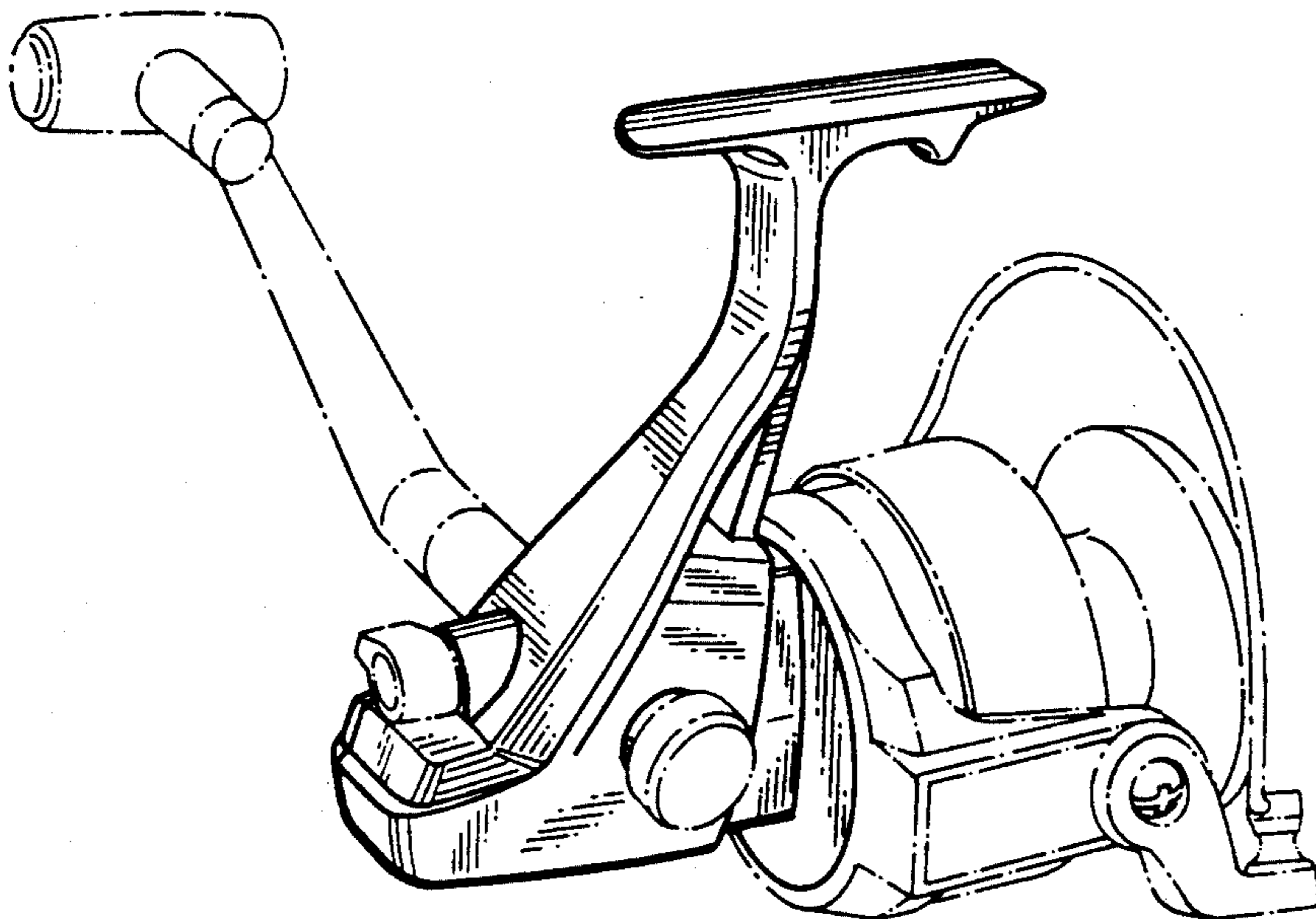


Fig. 3

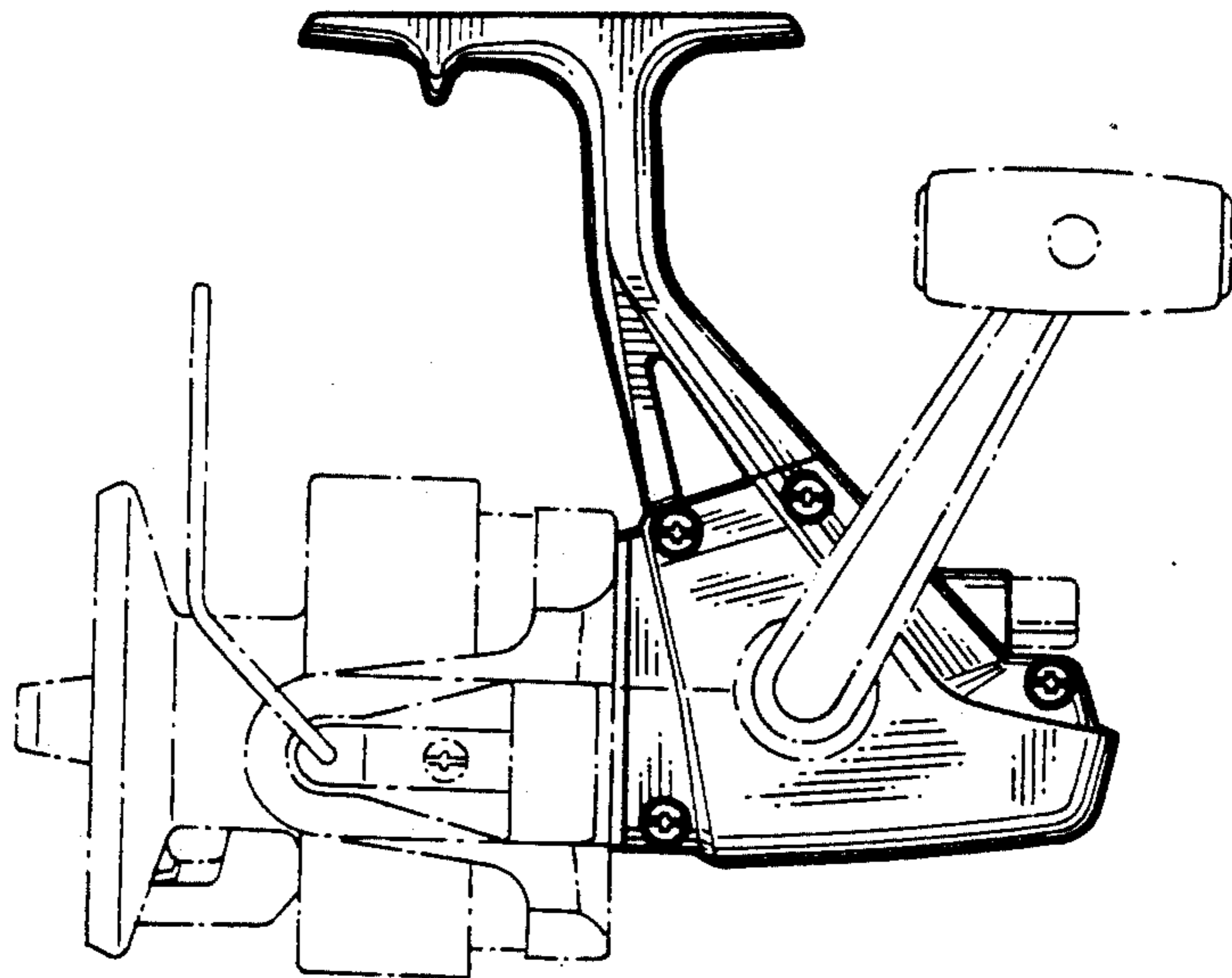


Fig. 4

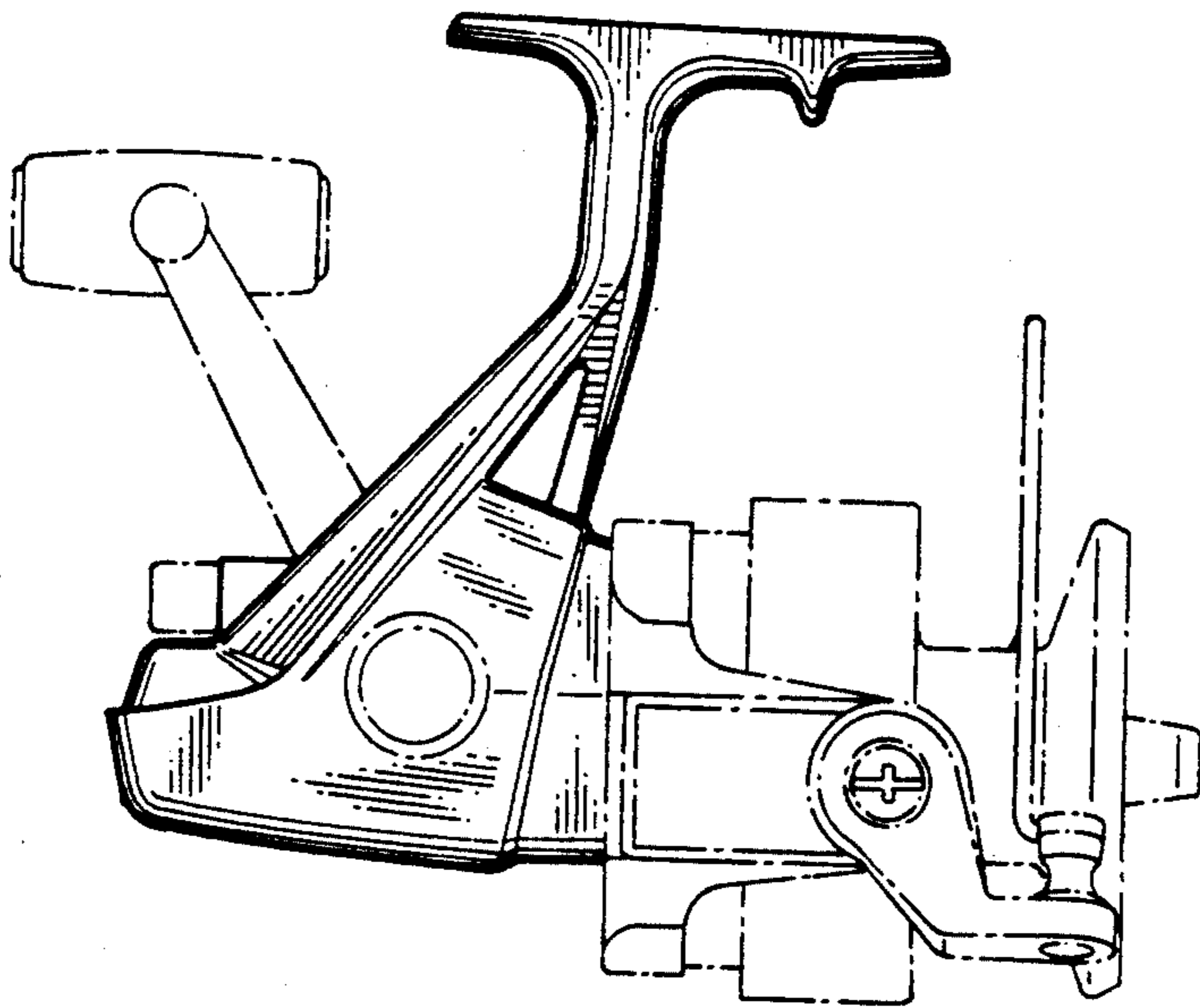


Fig. 5

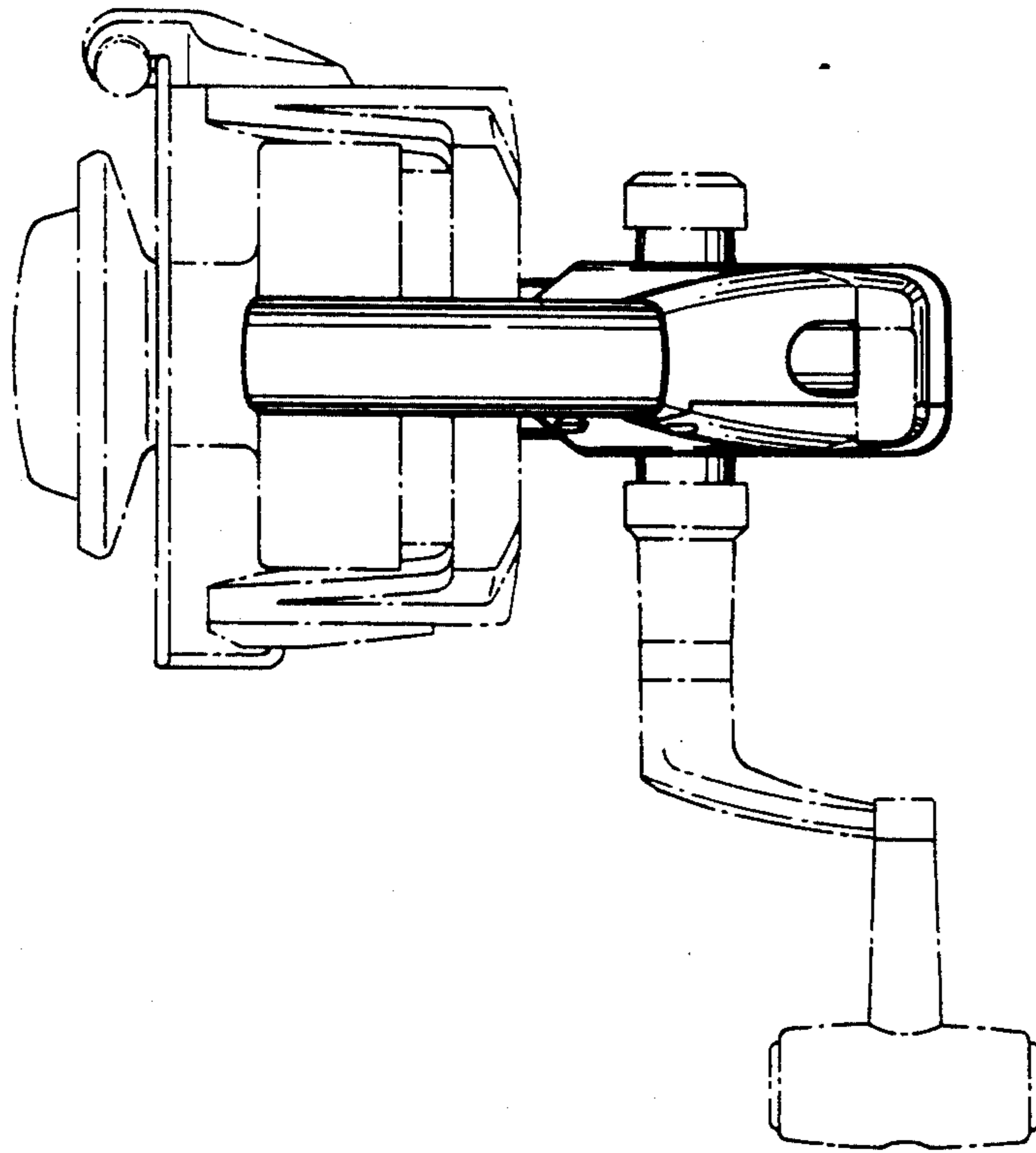


Fig. 6

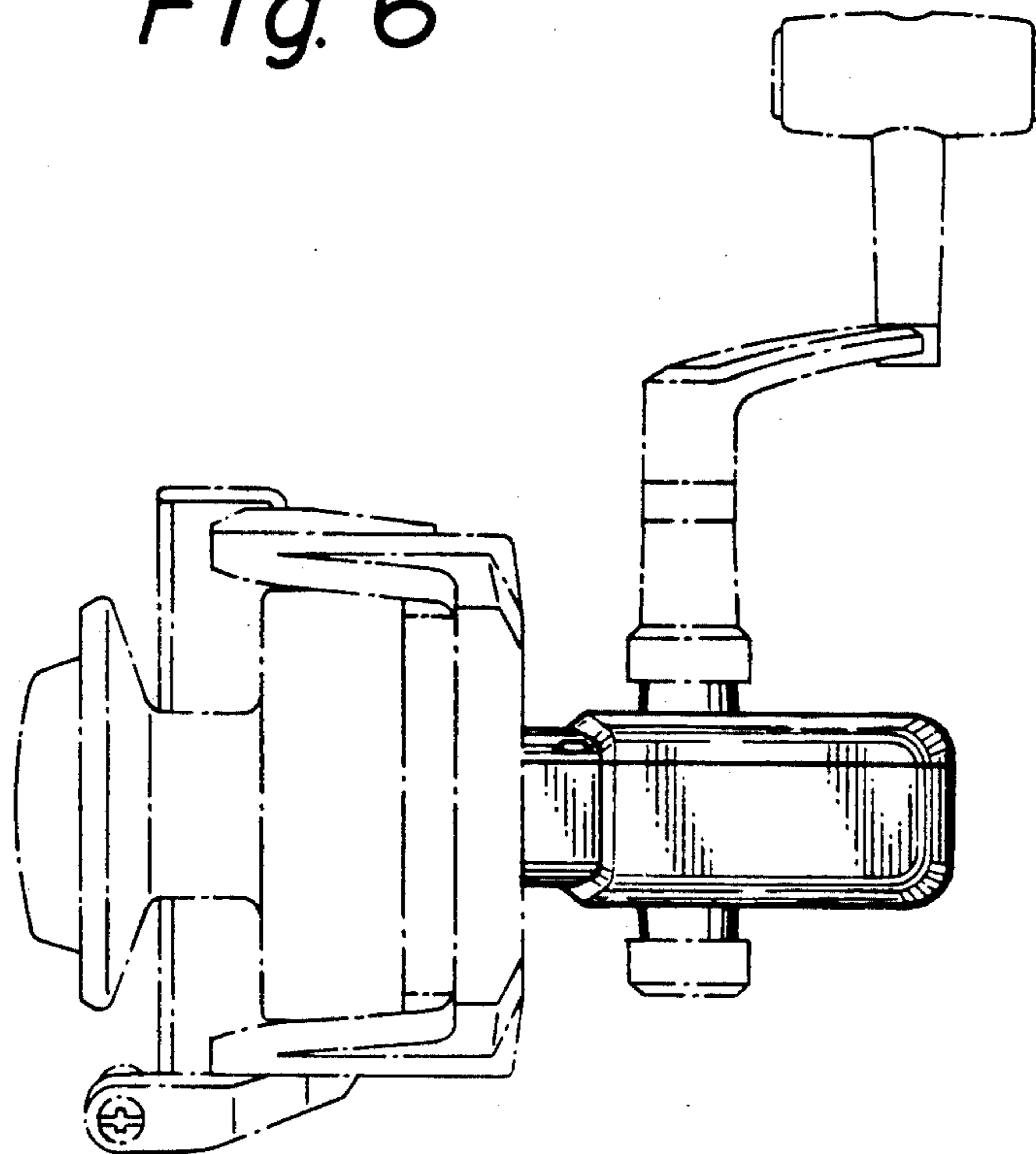


Fig. 7

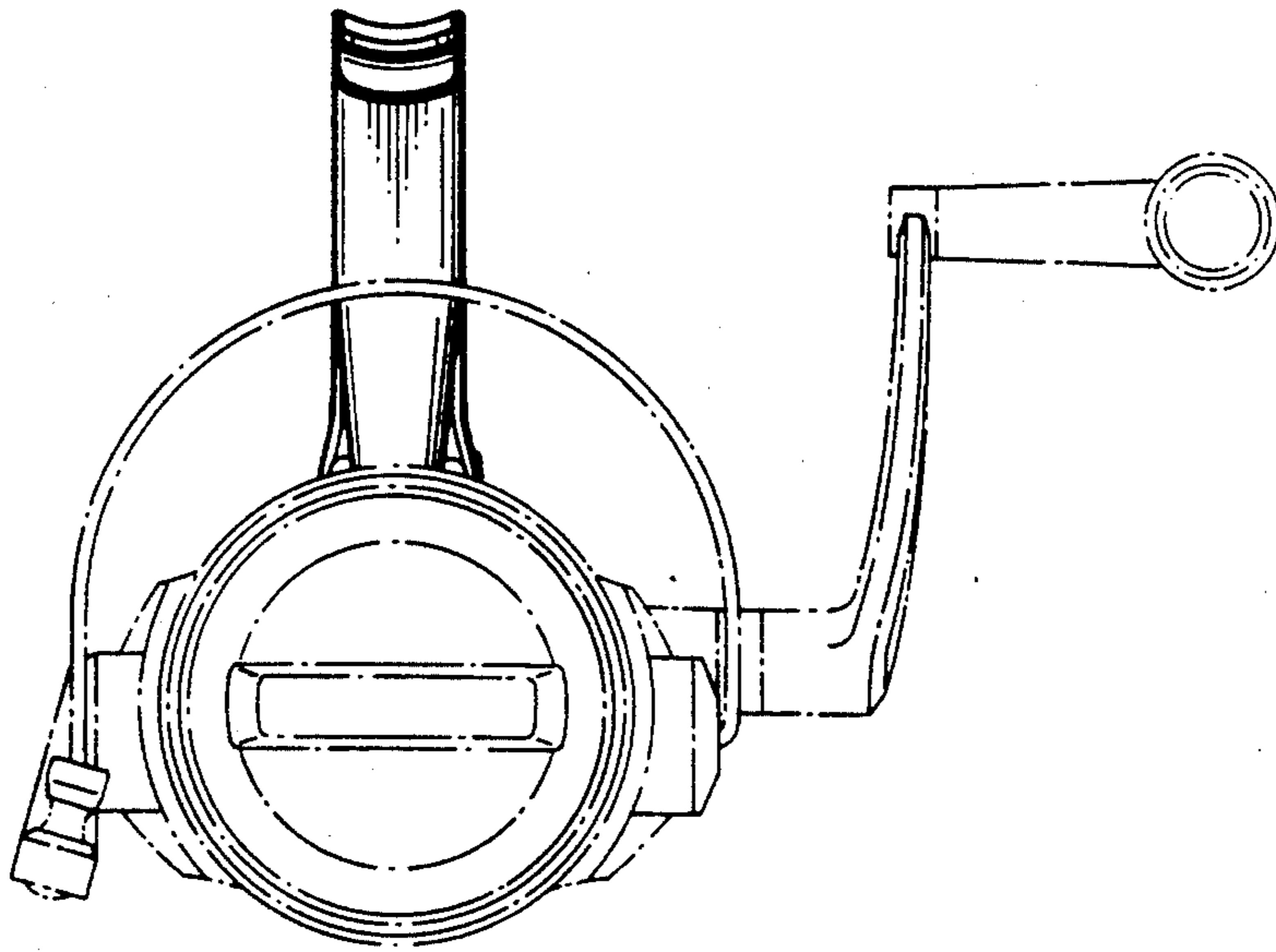


Fig. 8

