



US00D329266S

United States Patent [19]

[11] Patent Number: **Des. 329,266**

Antonious

[45] Date of Patent: **** Sep. 8, 1992**

[54] IRON TYPE GOLF CLUB HEAD

[76] Inventor: **Anthony J. Antonious**, 205 E. Joppa Rd., Towson, Md. 21204

[**] Term: **14 Years**

[21] Appl. No.: **490,261**

[22] Filed: **Mar. 8, 1990**

[52] U.S. Cl. **D21/220**

[58] Field of Search **D21/214-220;**
273/167-175

[56] References Cited

U.S. PATENT DOCUMENTS

D. 313,829	1/1991	Antonious	D21/220
D. 315,588	3/1991	Antonious	D21/220
4,826,172	5/1989	Antonious	273/164
4,883,274	11/1989	Hsien	273/164

OTHER PUBLICATIONS

Golf Digest, Feb., 1976, p. 144, golf iron.
Golf Digest, Dec., 1989, p. 124, left, Slazenger Crown Sterling, iron.

Primary Examiner—Melvin B. Feifer

[57] CLAIM

The ornamental design for an iron type golf club head, as shown and described.

DESCRIPTION

FIG. 1 is a front elevational view of an iron type golf club head showing my new design;
FIG. 2 is a top rear perspective view thereof;
FIG. 3 is a rear elevational view thereof;
FIG. 4 is a bottom view thereof;
FIG. 5 is an end elevational view thereof;
FIG. 6 is an end elevational view taken from the opposite side of FIG. 5; and,
FIG. 7 is a top plan view thereof.

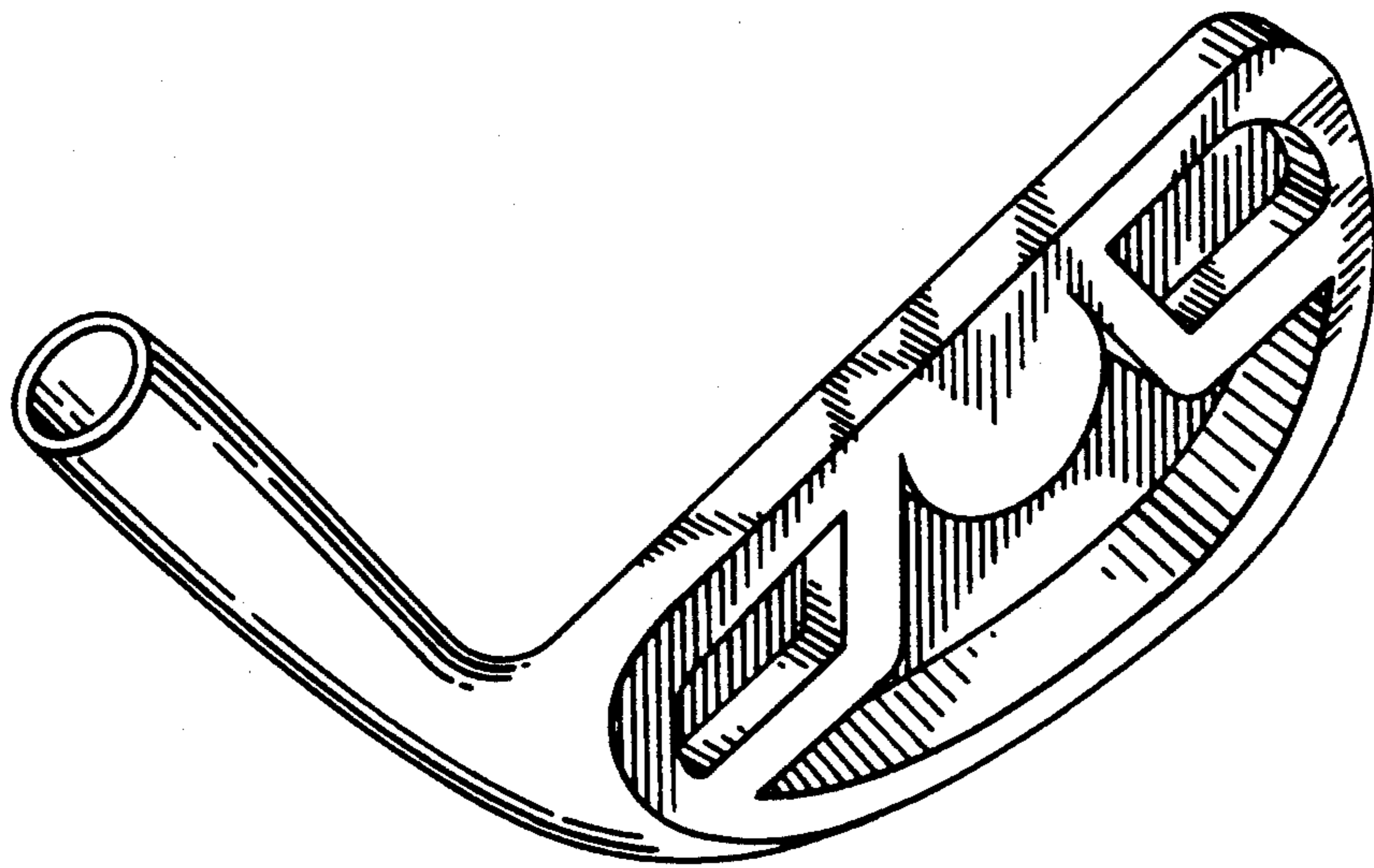


FIG. 1

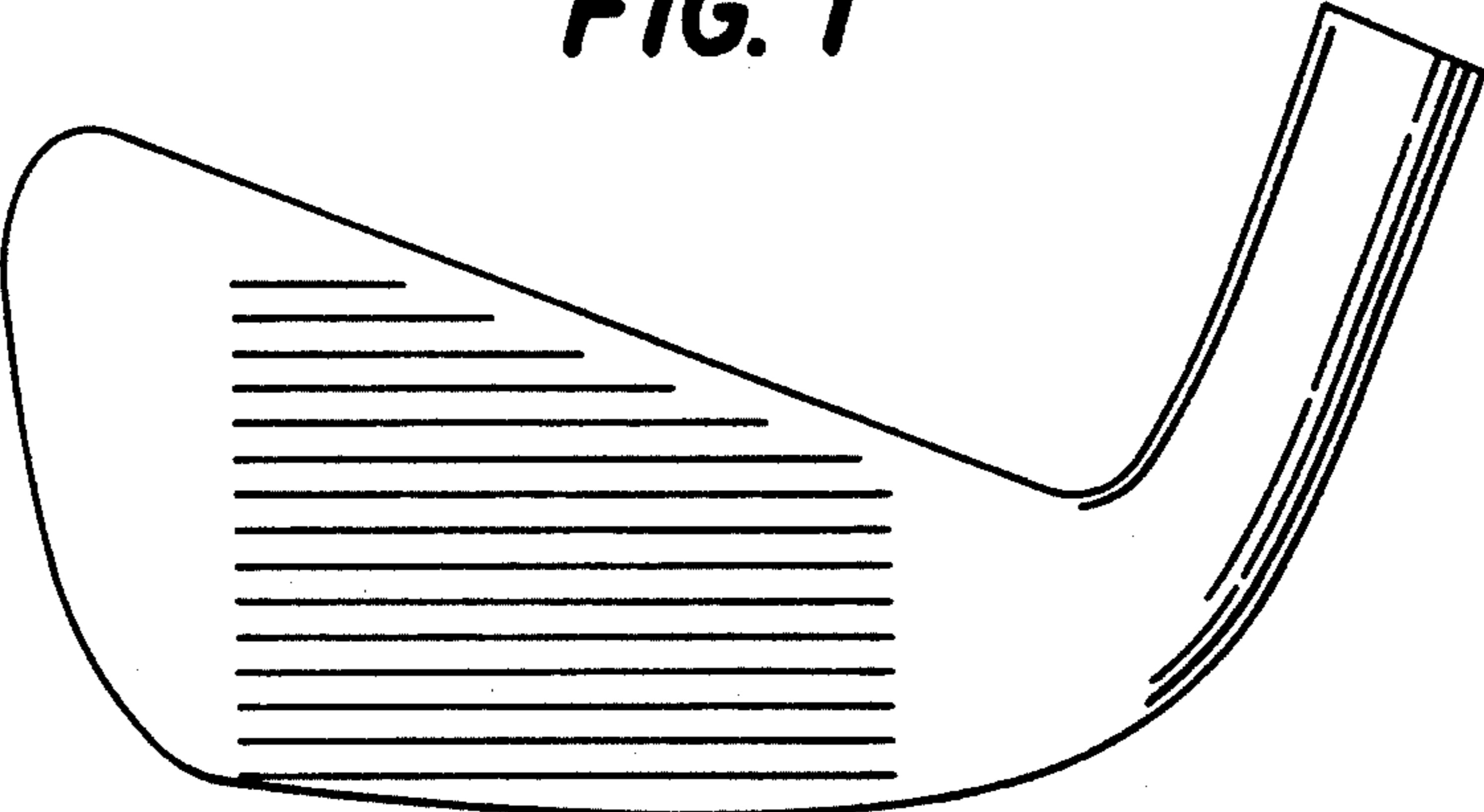


FIG. 2

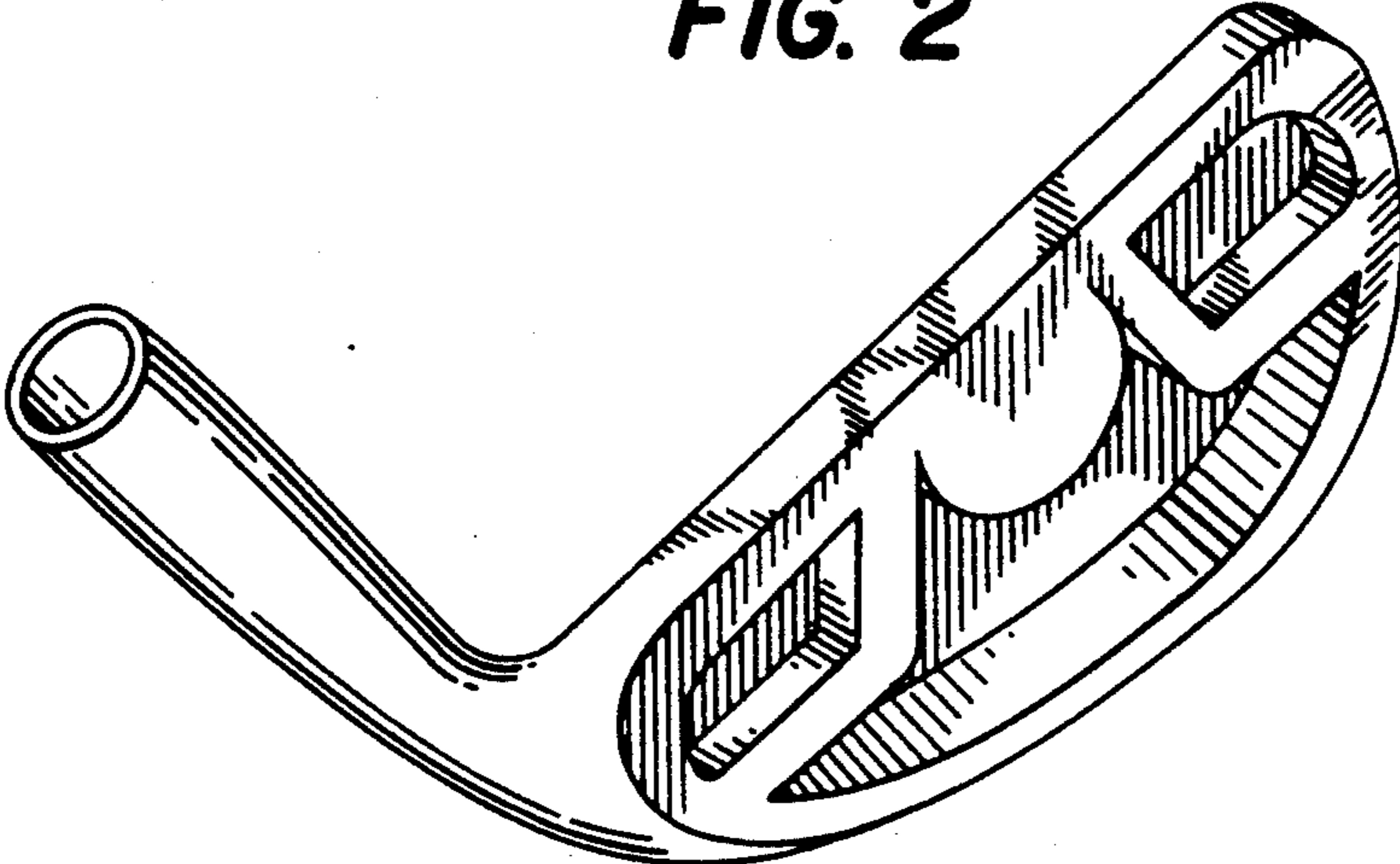


FIG. 3

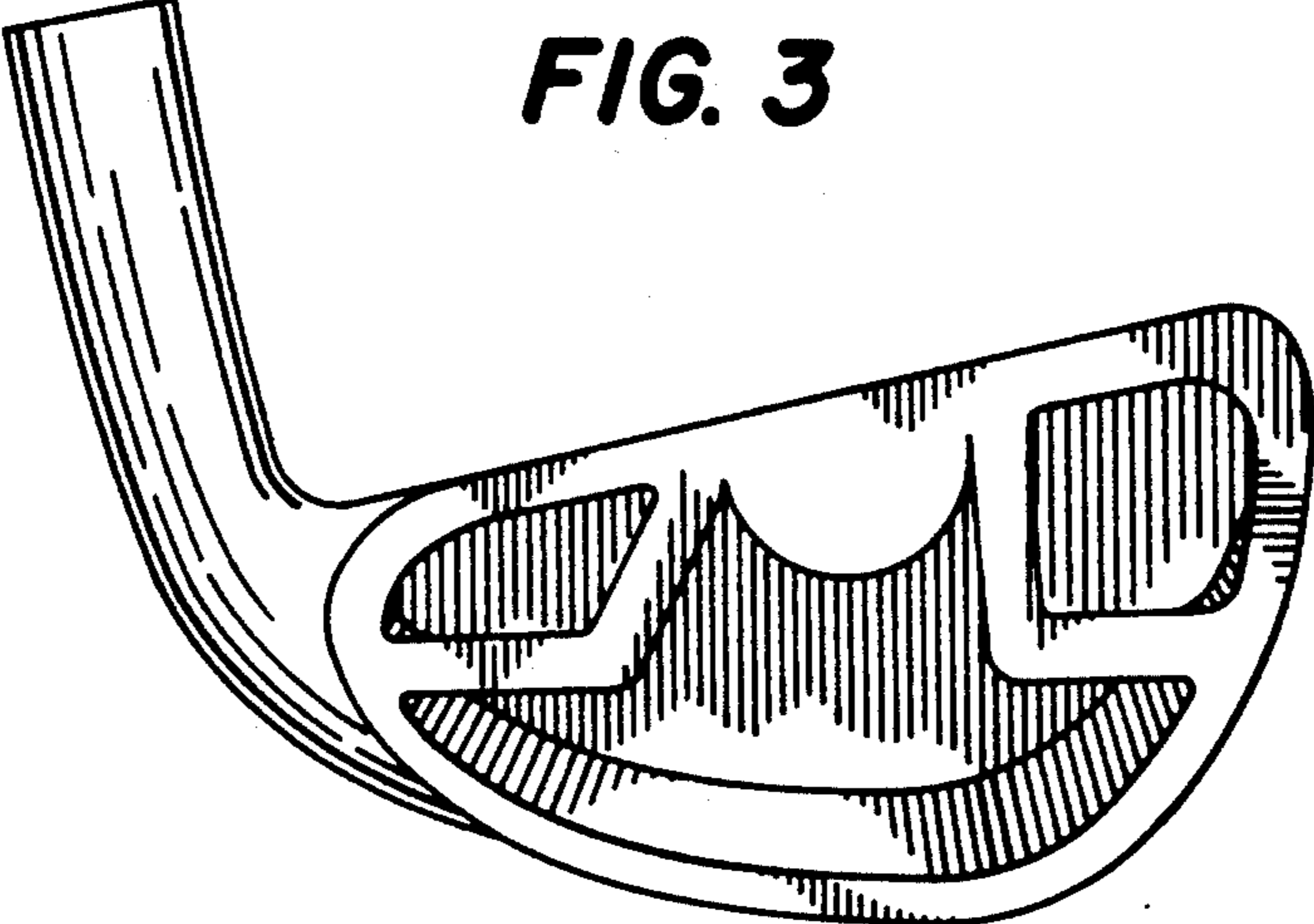


FIG. 4

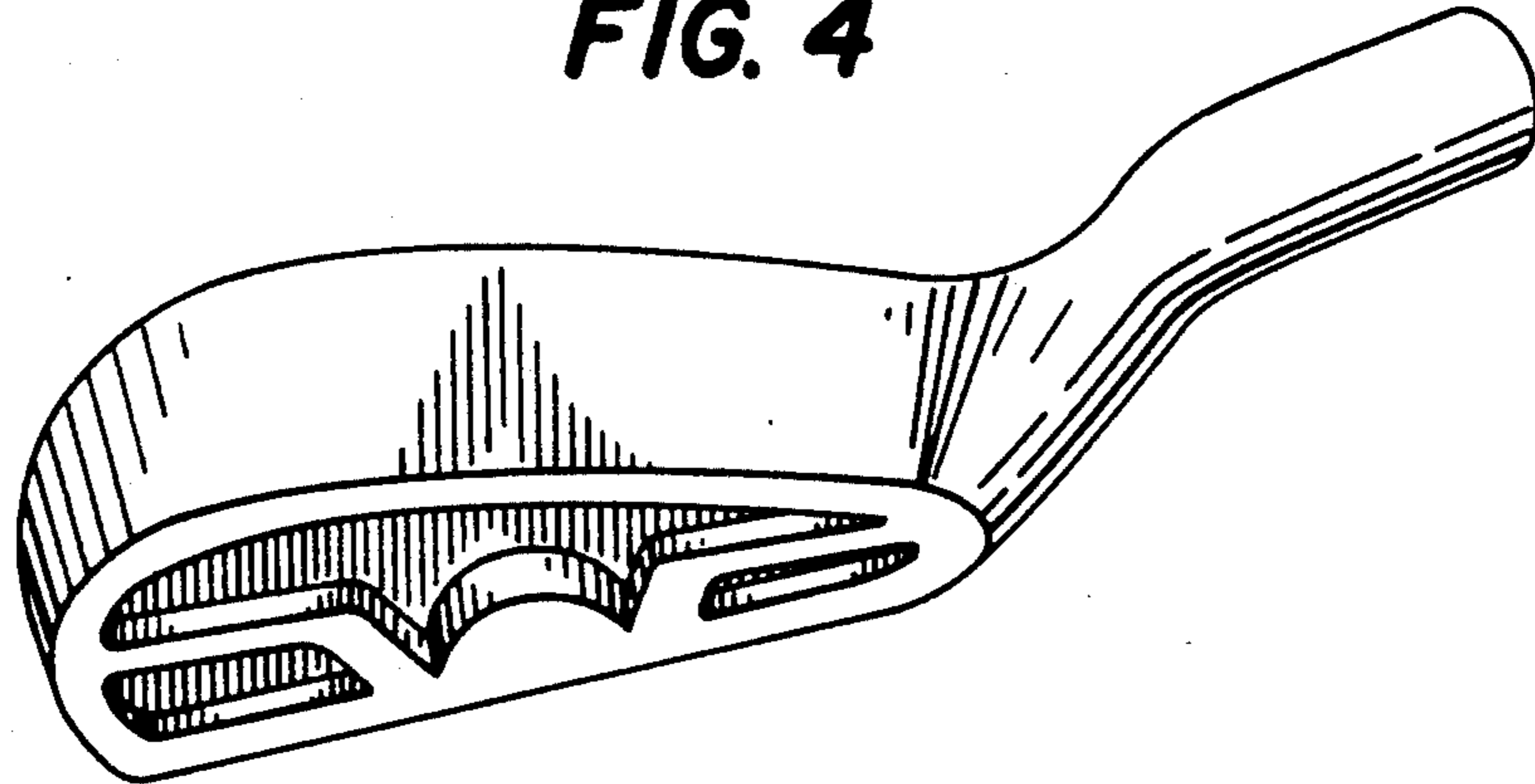


FIG. 5

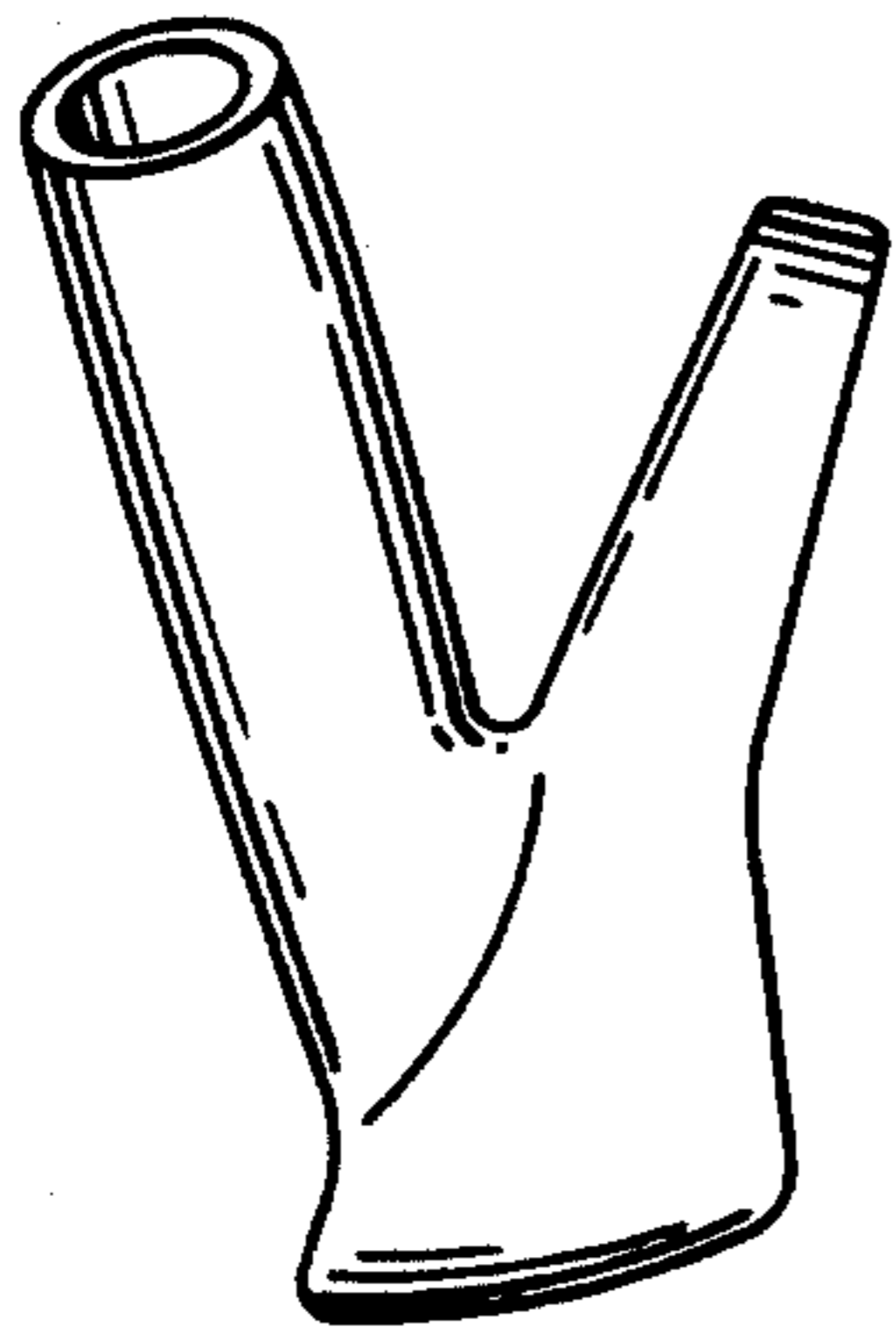


FIG. 6

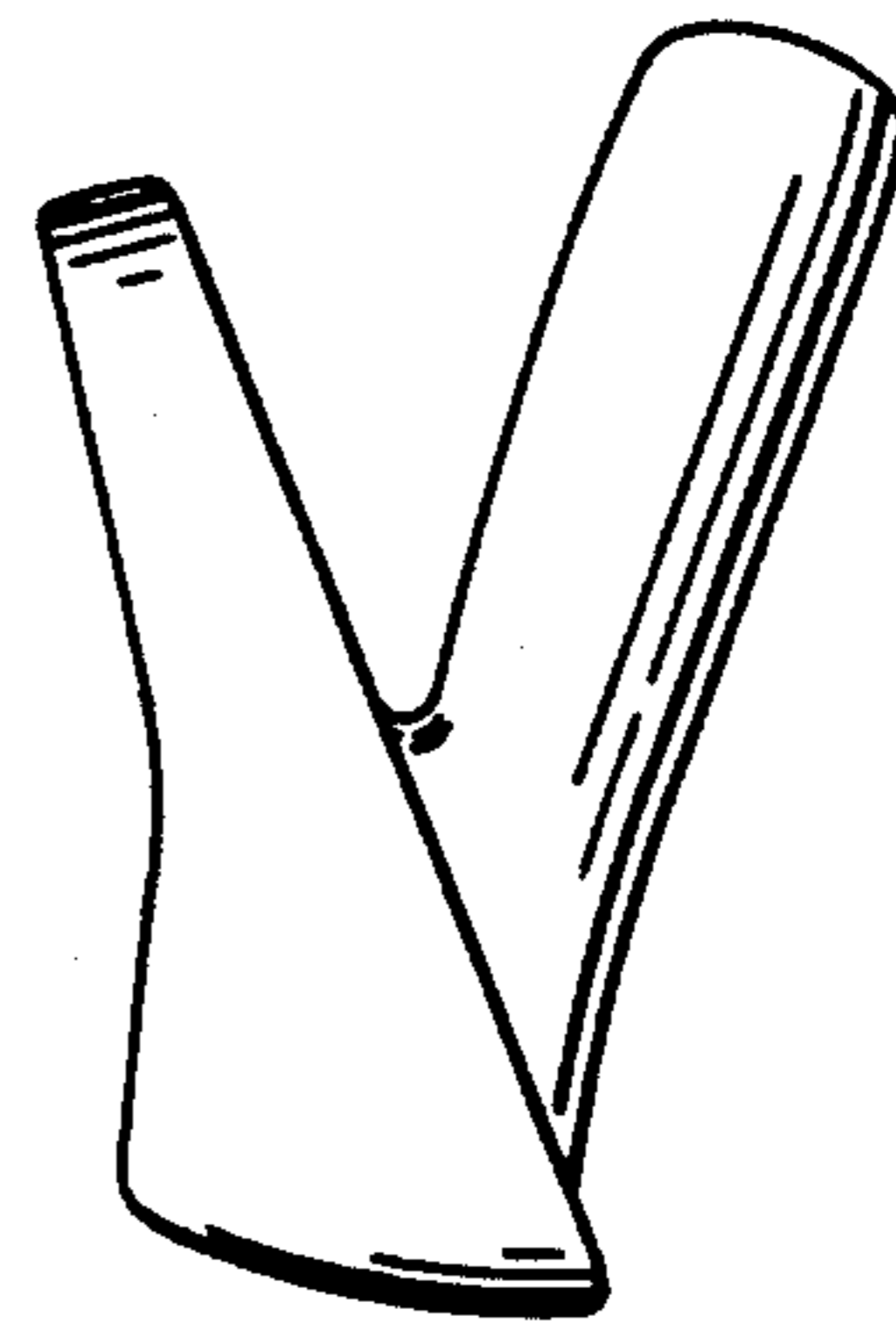


FIG. 7

