



US00D329263S

United States Patent [19]

[11] Patent Number: **Des. 329,263**

Cimock

[45] Date of Patent: **** Sep. 8, 1992**

[54] **SIMULATIVE TOY FLASHLIGHT**

D. 209,067	10/1967	Tarrson	D21/173
D. 267,279	12/1982	Yau	D26/49
D. 268,507	4/1983	Alwou et al.	D21/173
2,470,612	5/1949	Galter	362/186
2,726,321	12/1955	Riotto	D26/49

[75] Inventor: **Benjamin J. Cimock**, Altamonte Springs, Fla.

[73] Assignee: **I & K Trading Company**, Vienna, Va.

[**] Term: **14 Years**

Primary Examiner—Charles A. Rademaker
Attorney, Agent, or Firm—Blum Kaplan

[21] Appl. No.: **522,355**

[57] **CLAIM**

[22] Filed: **May 11, 1990**

The ornamental design for a simulative toy flashlight, as shown and described.

Related U.S. Application Data

DESCRIPTION

- [63] Continuation-in-part of Ser. No. 231,415, Aug. 12, 1988, abandoned.
- [52] U.S. Cl. **D21/109; D26/49**
- [58] Field of Search **D21/59, 63, 37, 39, D21/173; D26/37-50, 8; 362/157-158, 183-208**

FIG. 1 is a perspective view of a simulative toy flashlight showing my new design;
 FIG. 2 is a front elevational view thereof, shown on an enlarged scale;
 FIG. 3 is a right side elevational view thereof, the side opposite being substantially a mirror image;
 FIG. 4 is a top plan view thereof;
 FIG. 5 is a rear elevational view thereof;
 FIG. 6 is a bottom plan view thereof; and,
 FIG. 7 is a partial cross-sectional view thereof taken along line 4—4 in FIG. 4.

[56] References Cited

U.S. PATENT DOCUMENTS

- D. 166,881 5/1952 Russell D21/173
- D. 170,971 12/1953 Del Mas D21/173

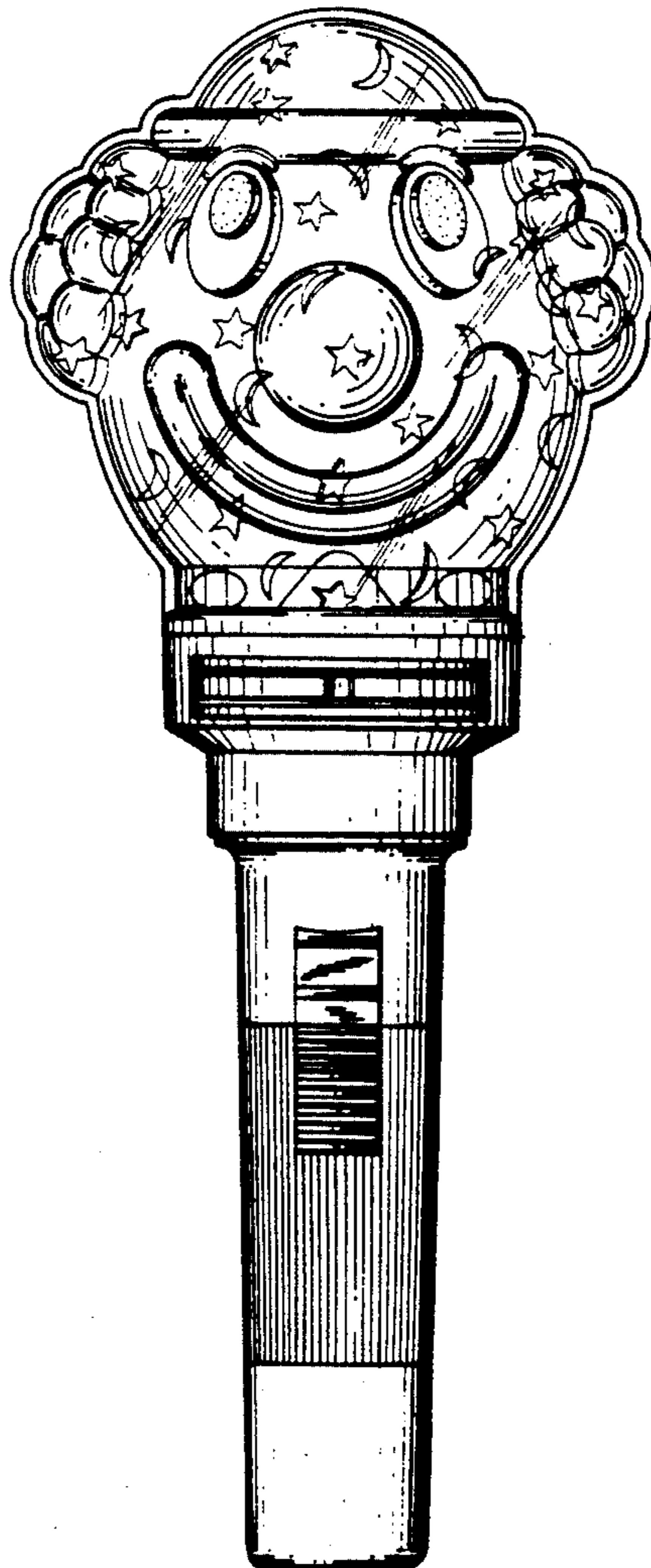


FIG. 1

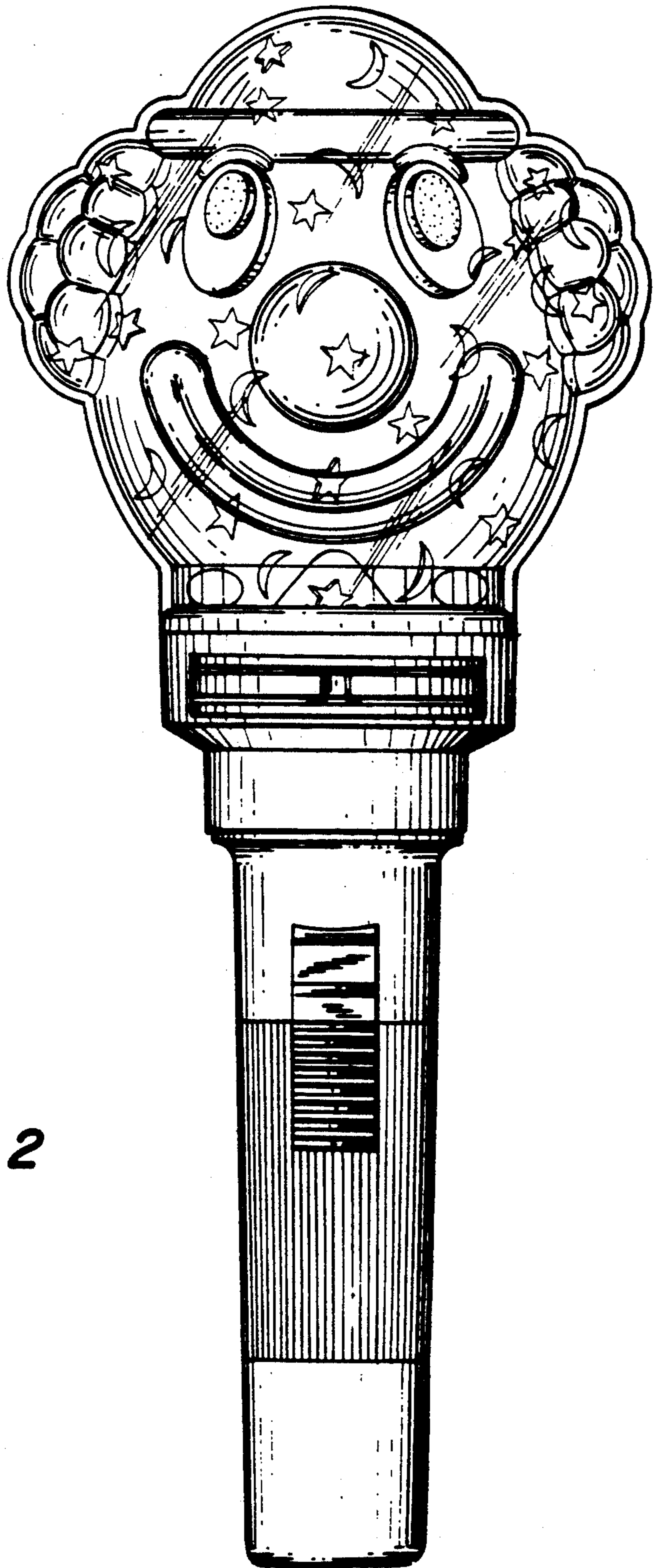
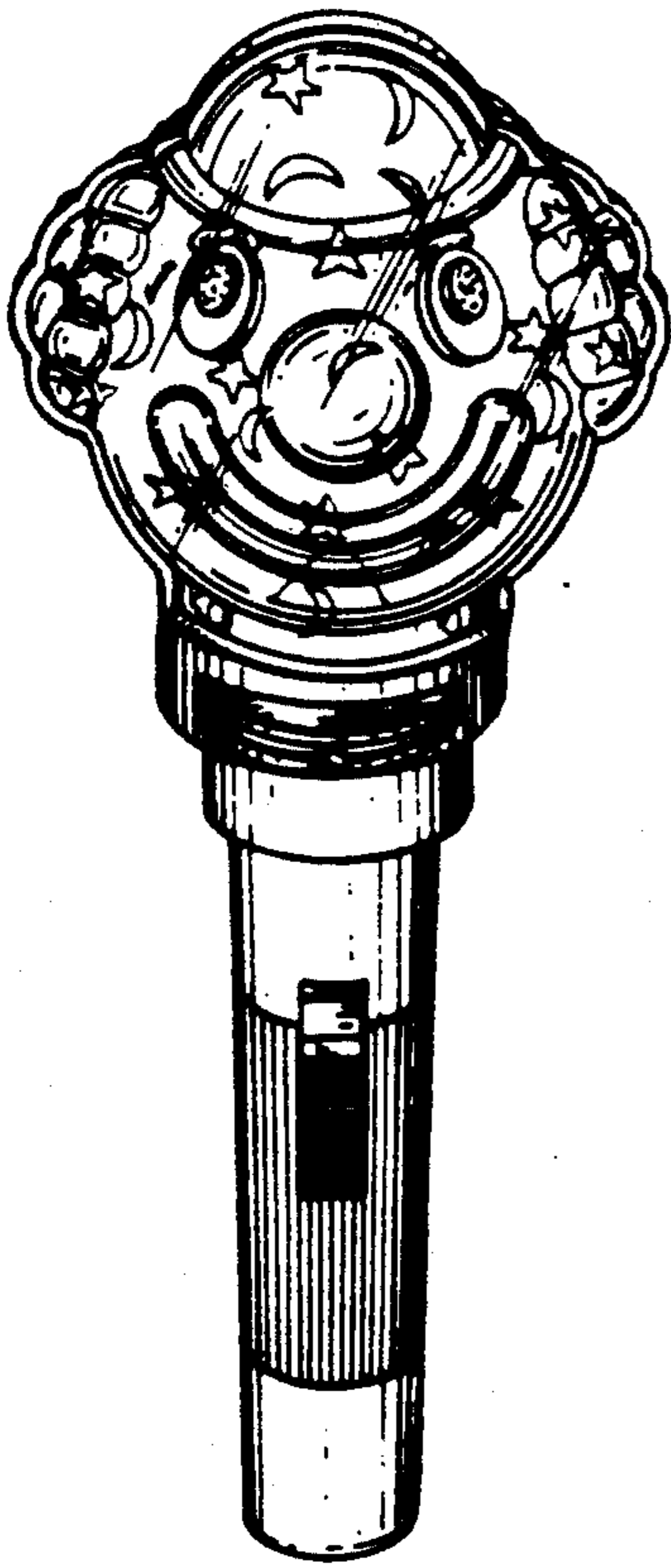


FIG. 2

FIG. 3

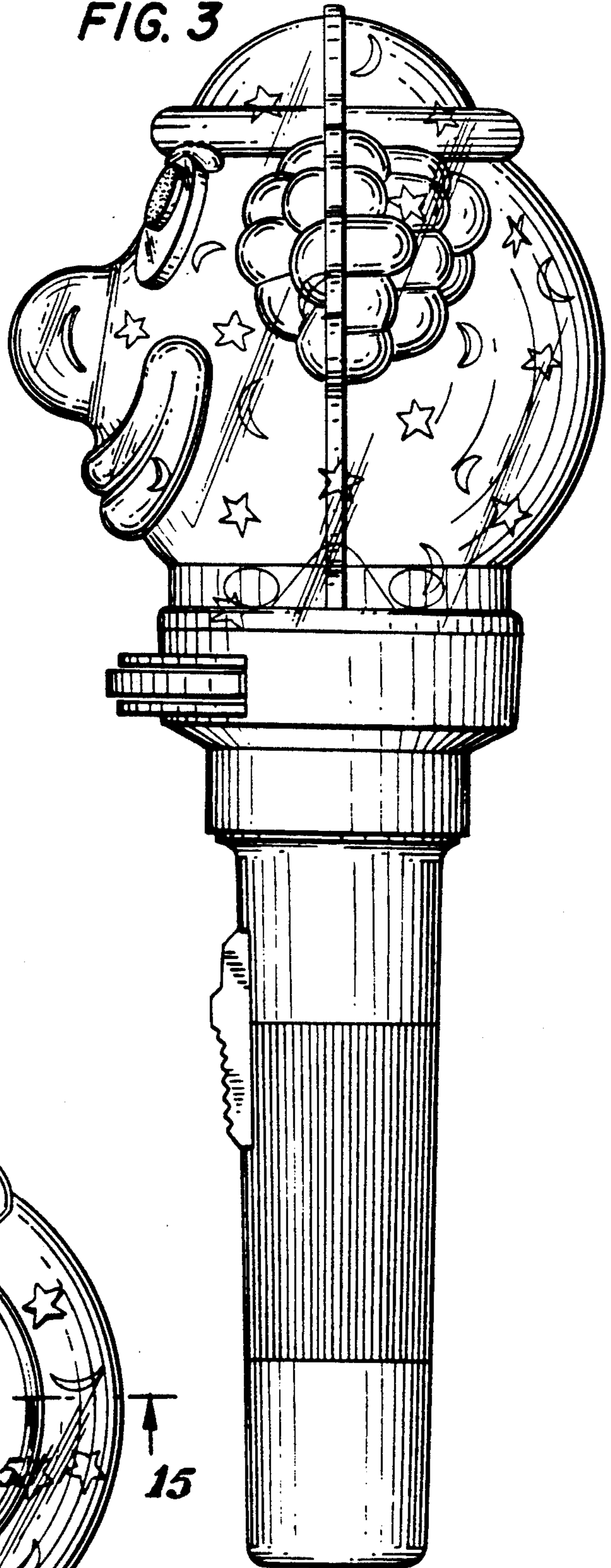
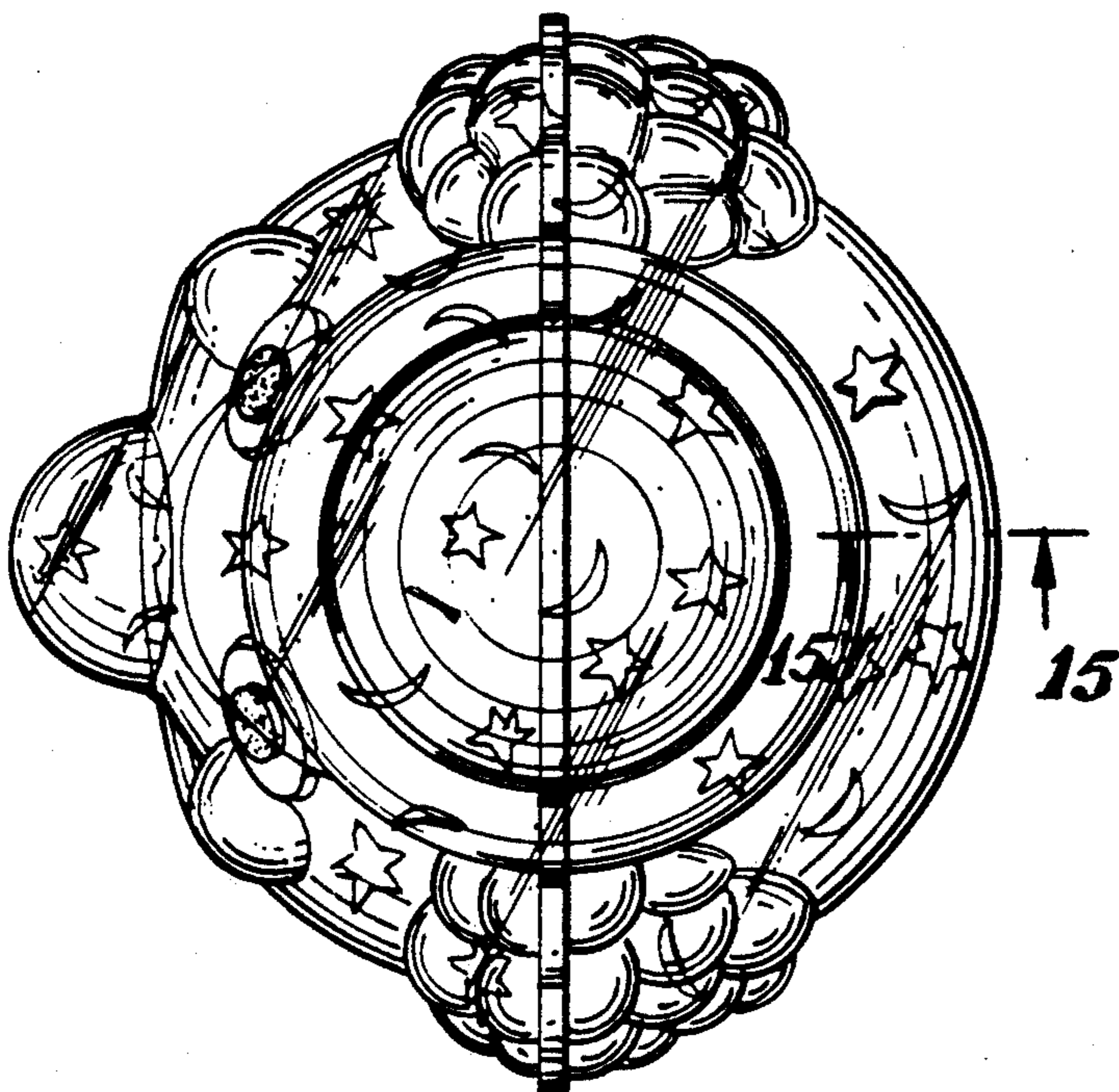


FIG. 4



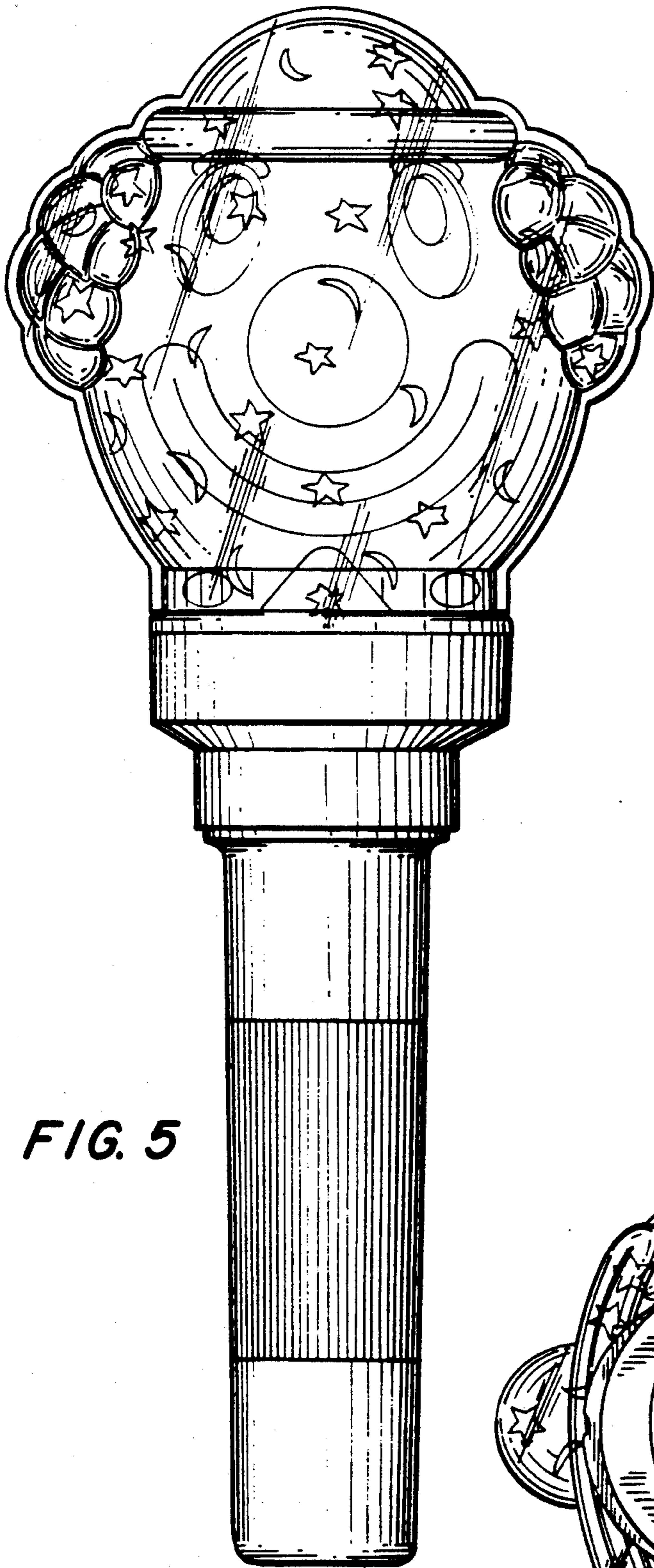


FIG. 5

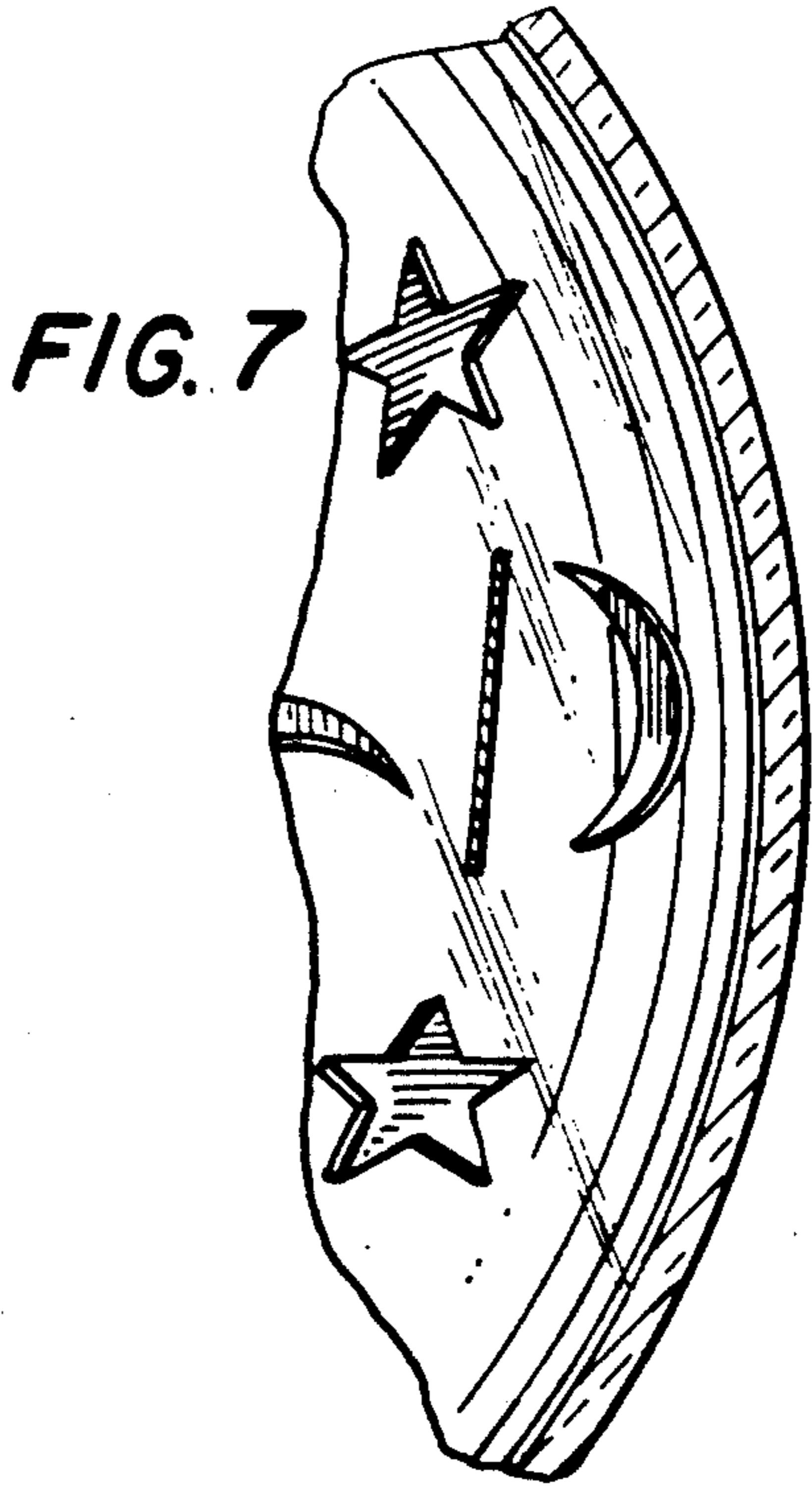


FIG. 7

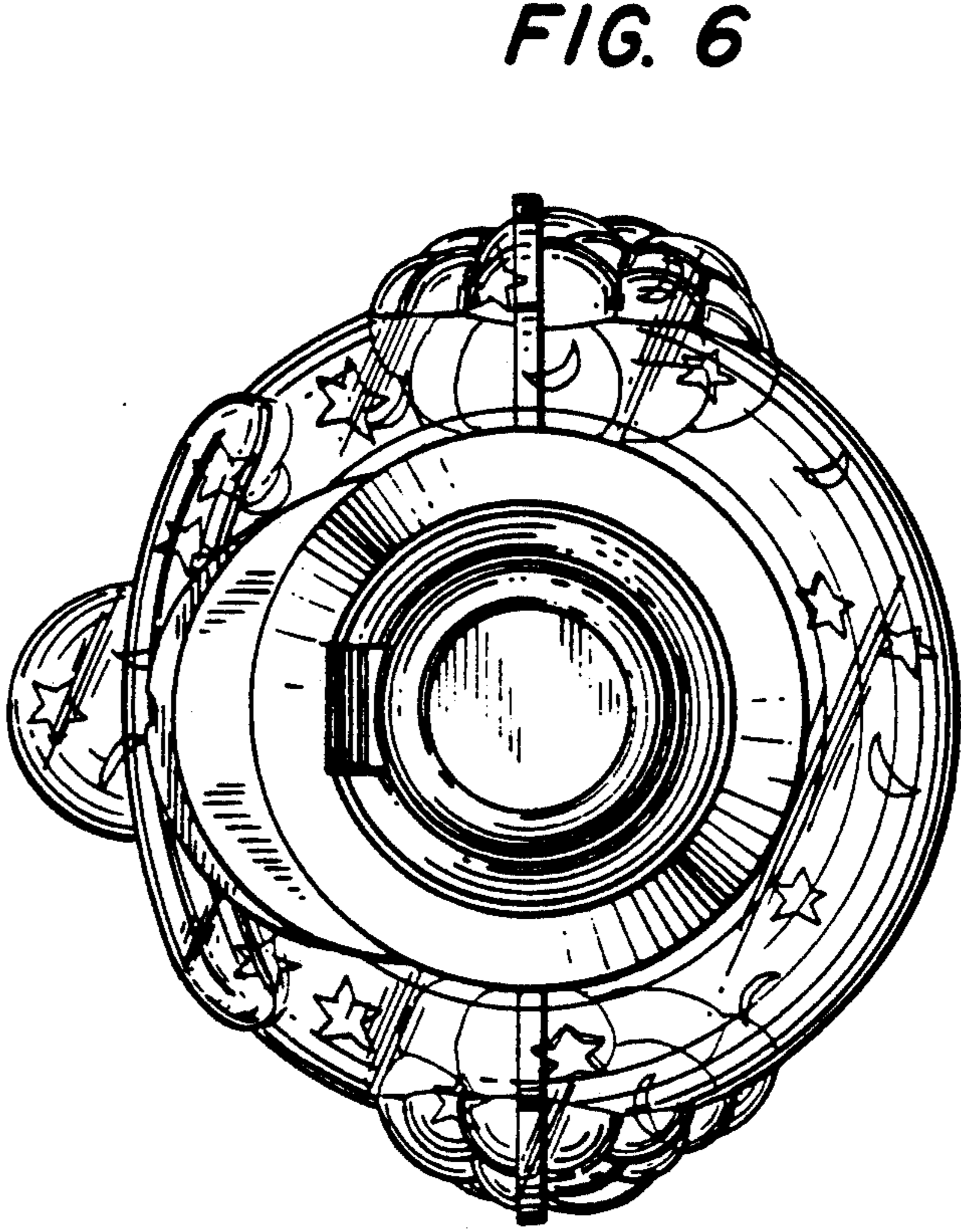


FIG. 6