



US00D329262S

United States Patent [19]

Hatting et al.

[11] Patent Number: Des. 329,262

[45] Date of Patent: ** Sep. 8, 1992

[54] TOY CONSTRUCTION ELEMENT

[75] Inventors: **Jan Hatting, Vejle; Olav Krøigaard, Egtved, both of Denmark**

[73] Assignee: **Interlego A.G., Baar, Switzerland**

[**] Term: **14 Years**

[21] Appl. No.: **621,924**

[22] Filed: **Dec. 4, 1990**

[52] U.S. Cl. **D21/108**

[58] Field of Search **D21/108, 141; D25/115, D25/118; 446/93, 94, 95, 113, 118, 121, 128**

[56] **References Cited**

U.S. PATENT DOCUMENTS

- D. 204,003 3/1966 Ford D21/141
- D. 281,263 11/1985 Volpe D21/108
- D. 285,584 9/1986 Kassai D21/108
- D. 304,221 10/1989 Poulsen D21/141

- D. 310,399 9/1990 Dideriksen D21/141
- 1,732,799 10/1929 Gilbert 446/95

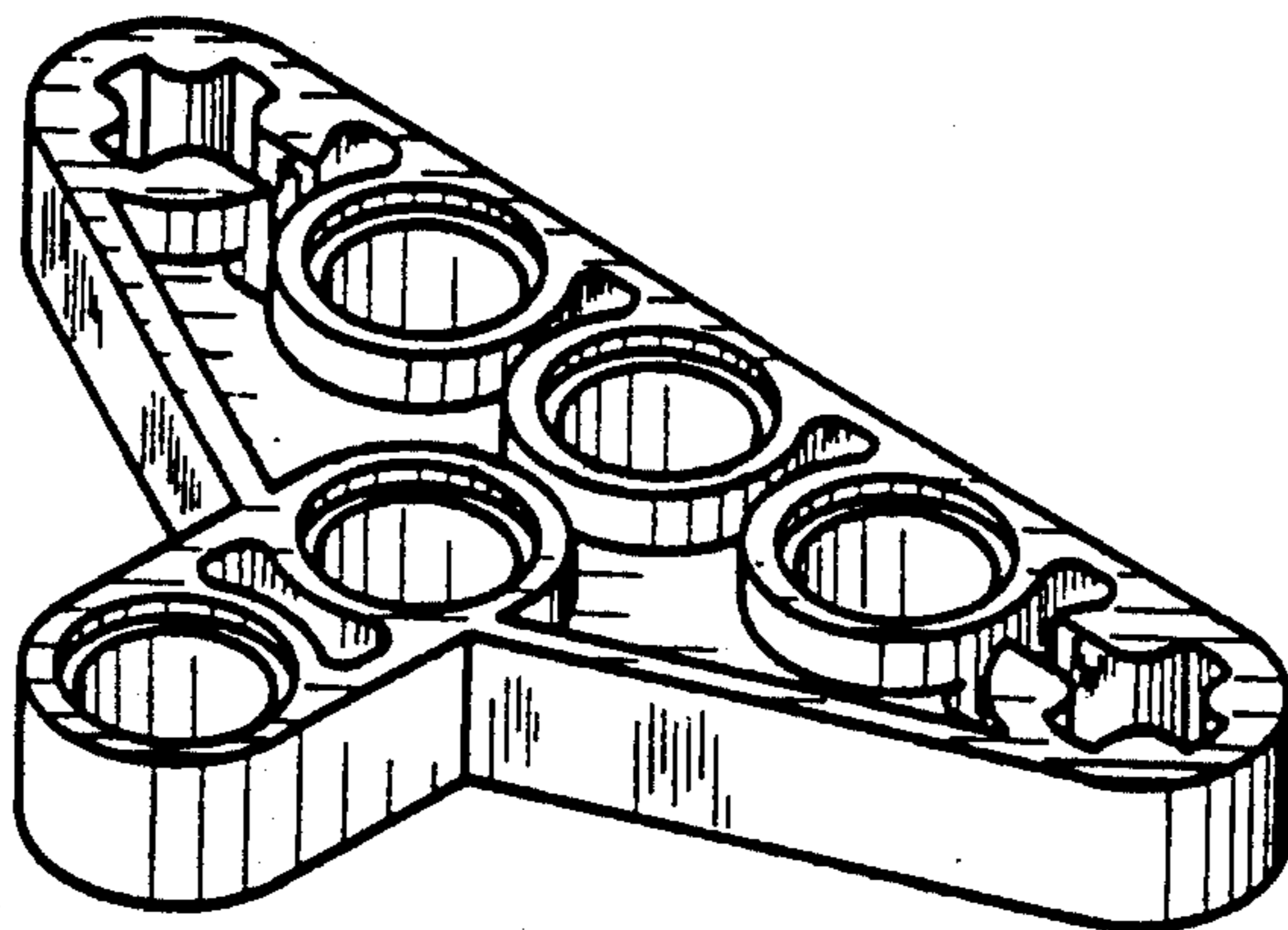
Primary Examiner—Bernard Ansher
Assistant Examiner—R. Barkai
Attorney, Agent, or Firm—Kane, Dalsimer, Sullivan, Kurucz, Levy, Eisele and Richard

[57] **CLAIM**

The ornamental design for a toy construction element, as shown and described.

DESCRIPTION

FIG. 1 is a top perspective view of a toy construction element showing our new design;
 FIG. 2 is a front elevational view thereof;
 FIG. 3 is a right side elevational view thereof, the left side elevational view being a mirror image;
 FIG. 4 is a rear elevational view thereof; and,
 FIG. 5 is a top plan view thereof, the bottom plan being identical.



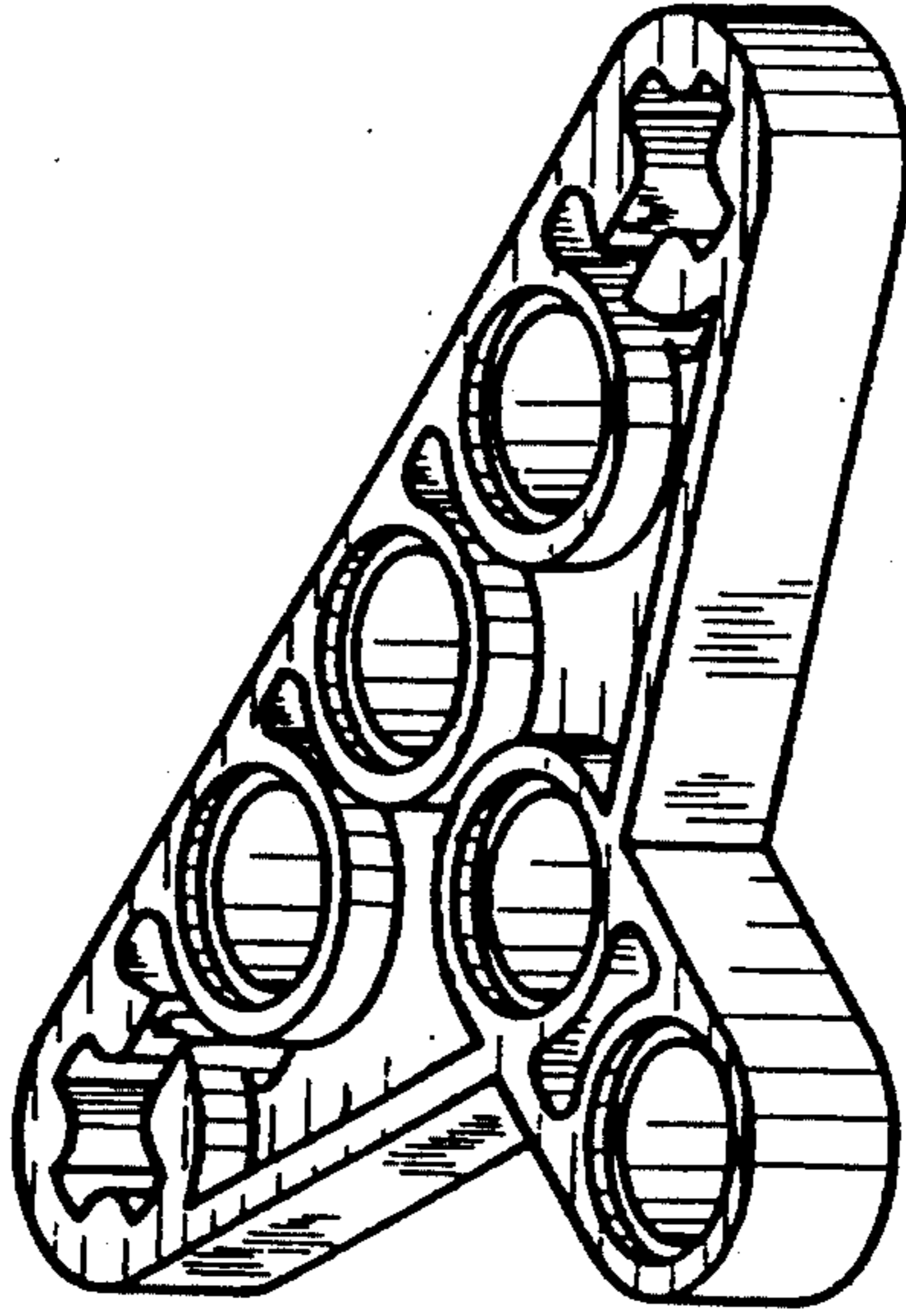


FIG. 1

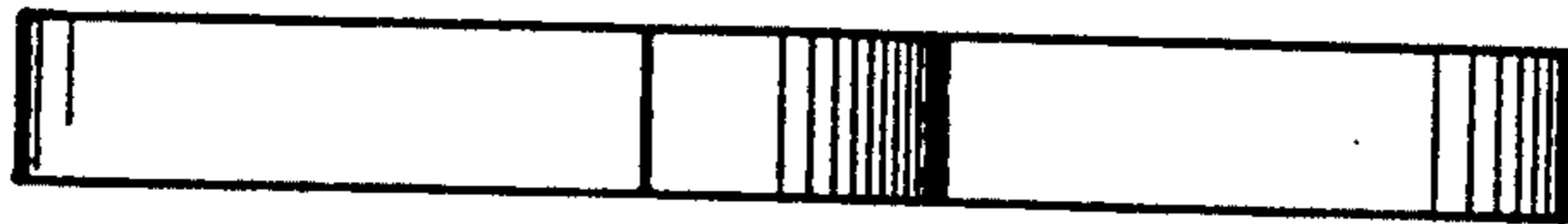


FIG. 2

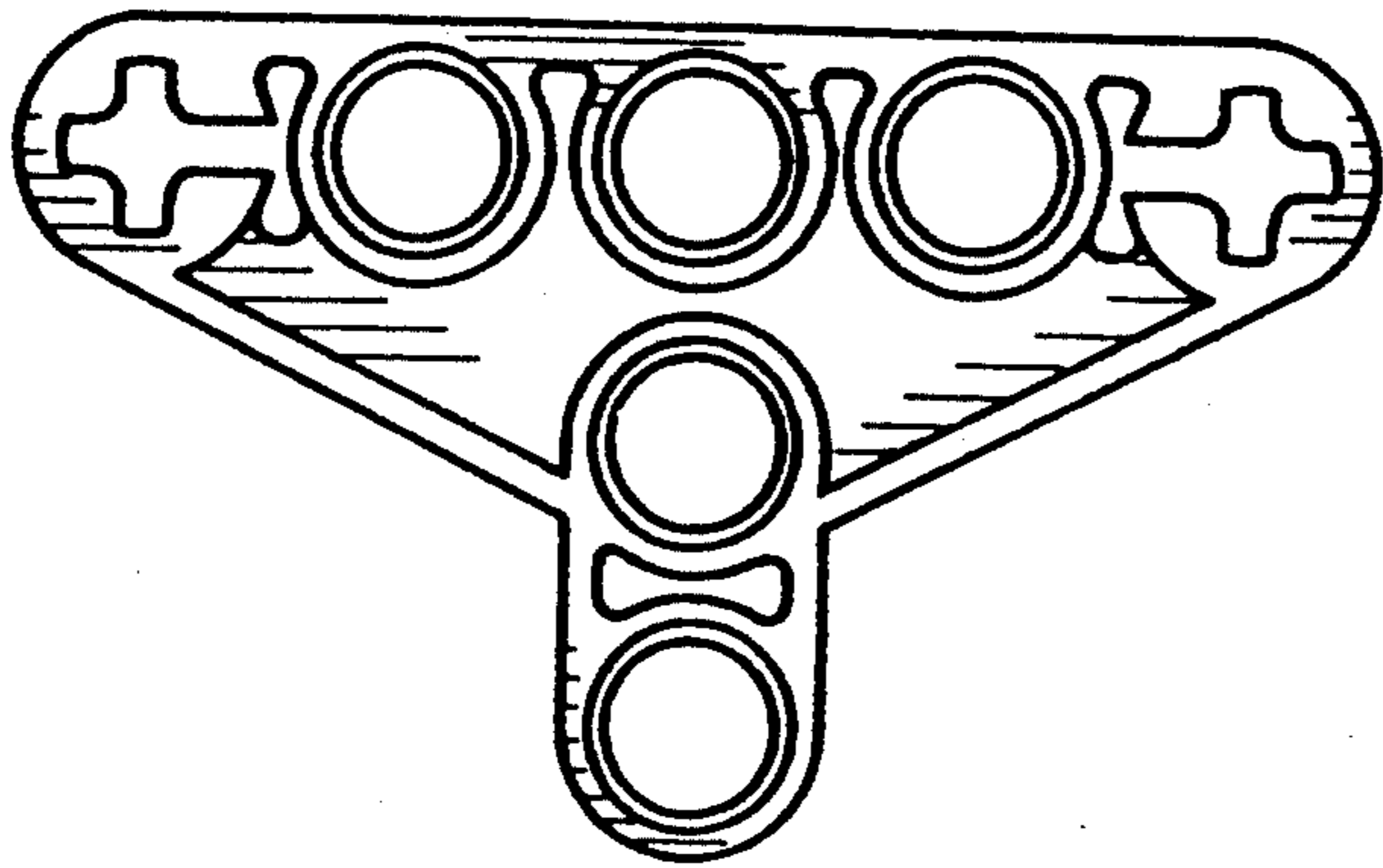


FIG. 4

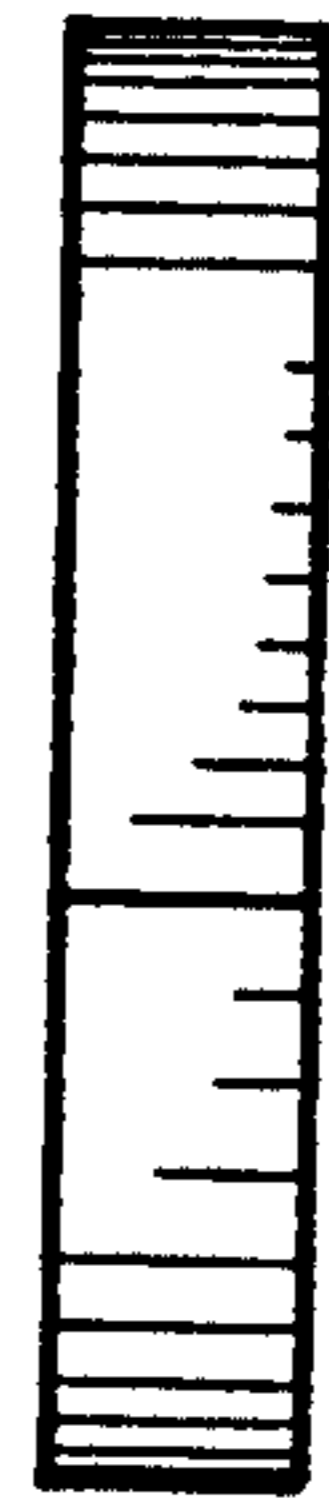


FIG. 3

FIG. 5