



US00D329261S

United States Patent [19]

[11] Patent Number: **Des. 329,261**

Pollack

[45] Date of Patent: **** Sep. 8, 1992**

[54] **BALLOON SUPPORT AND SEALING DEVICE**

4,687,458 8/1987 Handa 446/220
4,895,545 1/1990 Nelson 446/220

[75] Inventor: **Jules Pollack, Pebble Beach, Calif.**

Primary Examiner—Charles A. Rademaker
Attorney, Agent, or Firm—Lyon & Lyon

[73] Assignee: **Creative Balloons Manufacturing, Inc., Pebble Beach, Calif.**

[57] **CLAIM**

[**] Term: **14 Years**

The ornamental design for a balloon support and sealing device, as shown and described.

[21] Appl. No.: **595,378**

DESCRIPTION

[22] Filed: **Oct. 9, 1990**

[52] U.S. Cl. **D21/84**

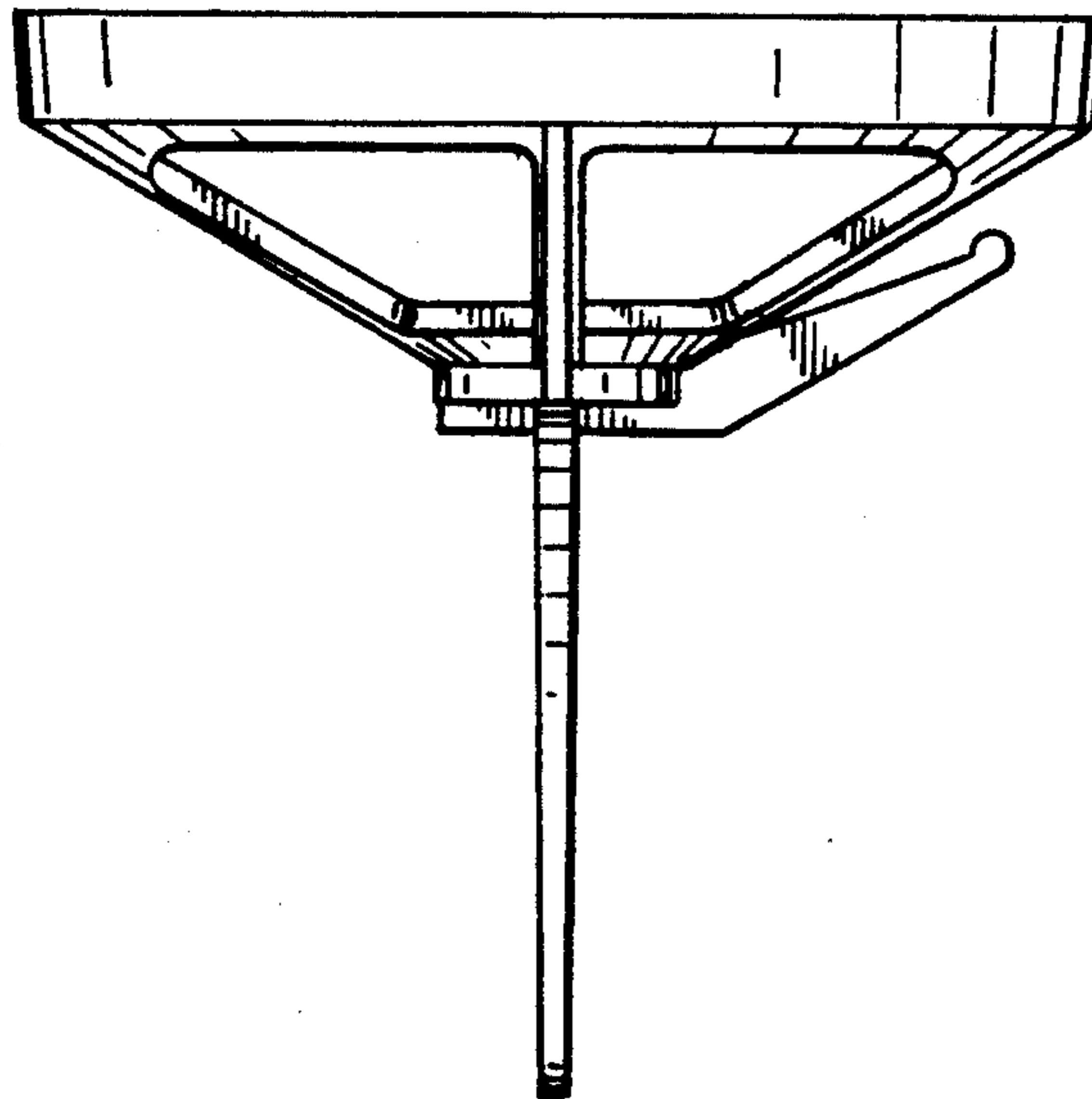
[58] Field of Search **D21/84, 59; 446/68, 446/220, 221, 223, 225**

FIG. 1 is a perspective view of a balloon support and sealing device showing my new design in use, with the broken lines shown for illustrative purposes only and forming no part of the claimed design;
FIG. 2 is a perspective view thereof;
FIG. 3 is a right side view thereof;
FIG. 4 is a front elevational view thereof;
FIG. 5 is a rear elevational view thereof;
FIG. 6 is a top plan view thereof; and,
FIG. 7 is a bottom plan view thereof.

[56] **References Cited**

U.S. PATENT DOCUMENTS

2,840,948	7/1958	Stickley	446/223
3,267,604	8/1966	Goldsmith	446/223
4,589,854	5/1986	Smith	446/223



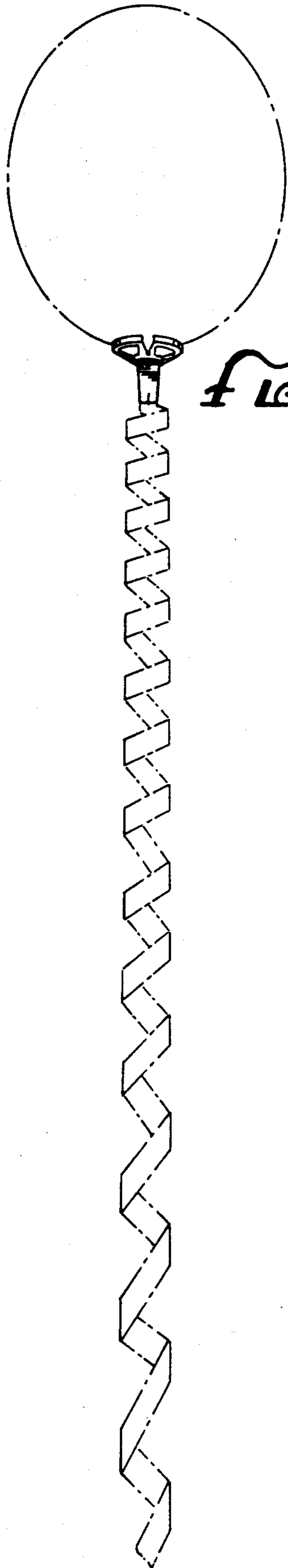


FIG. 1.

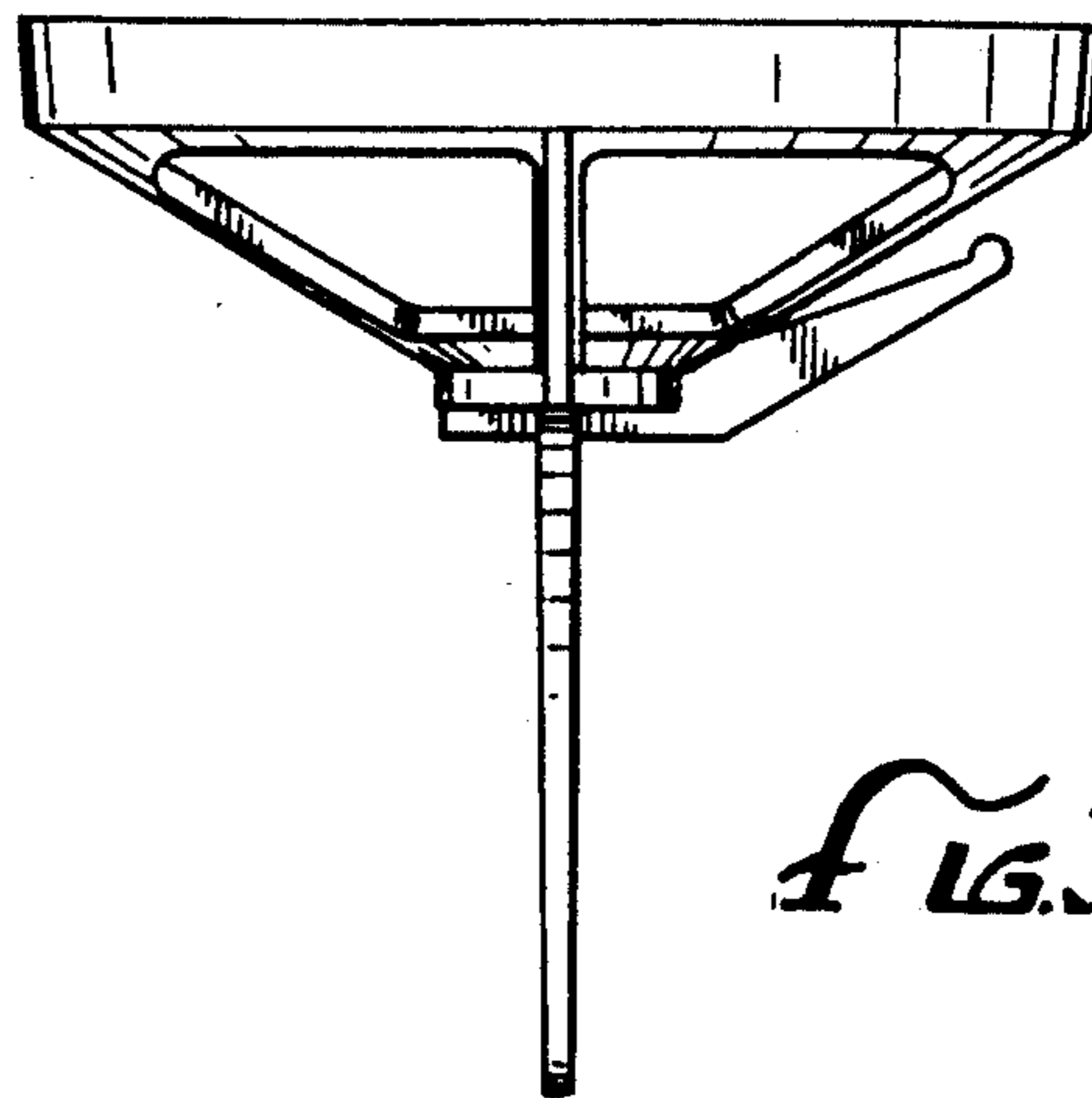


FIG. 3.

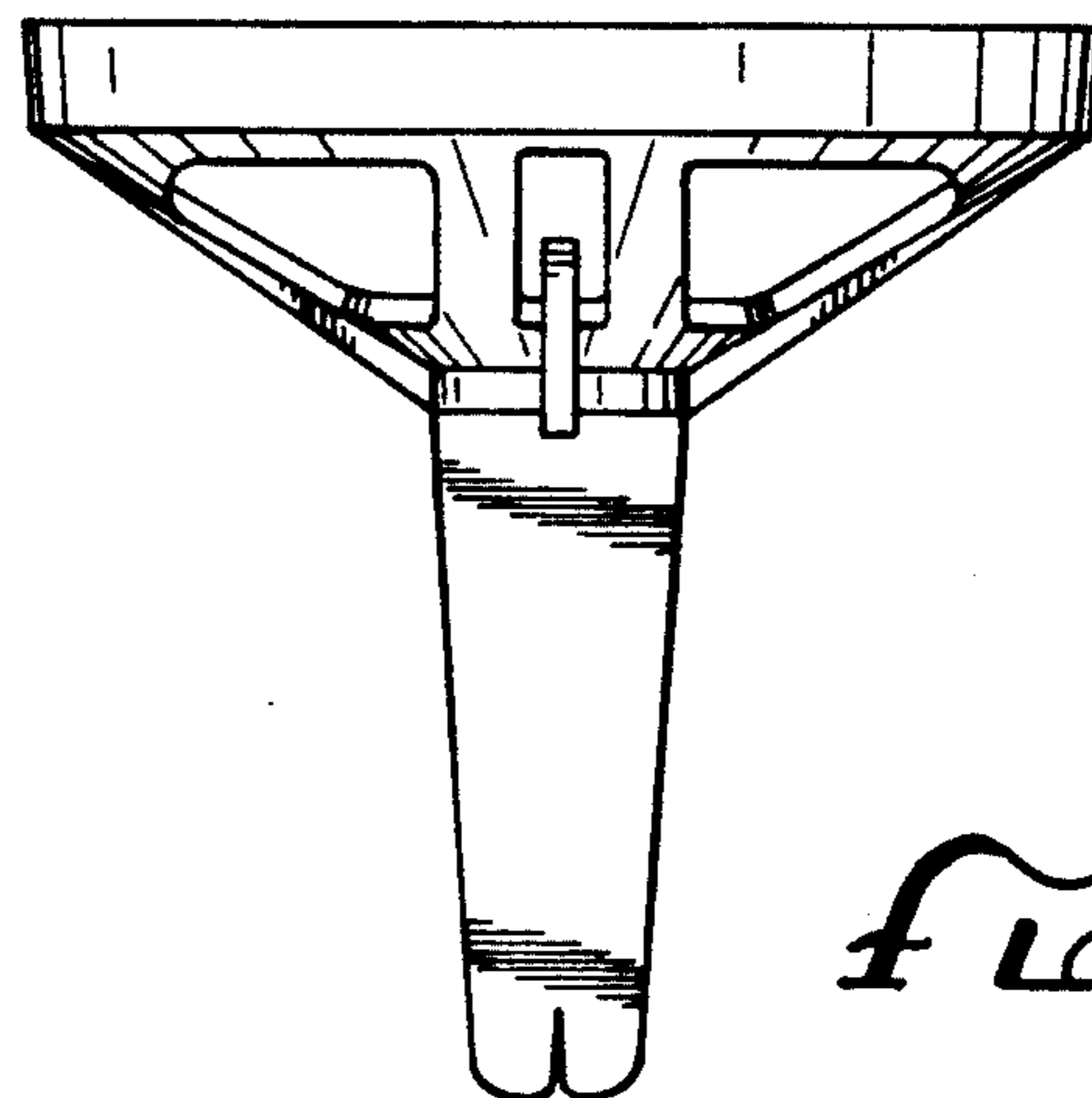


FIG. 4.

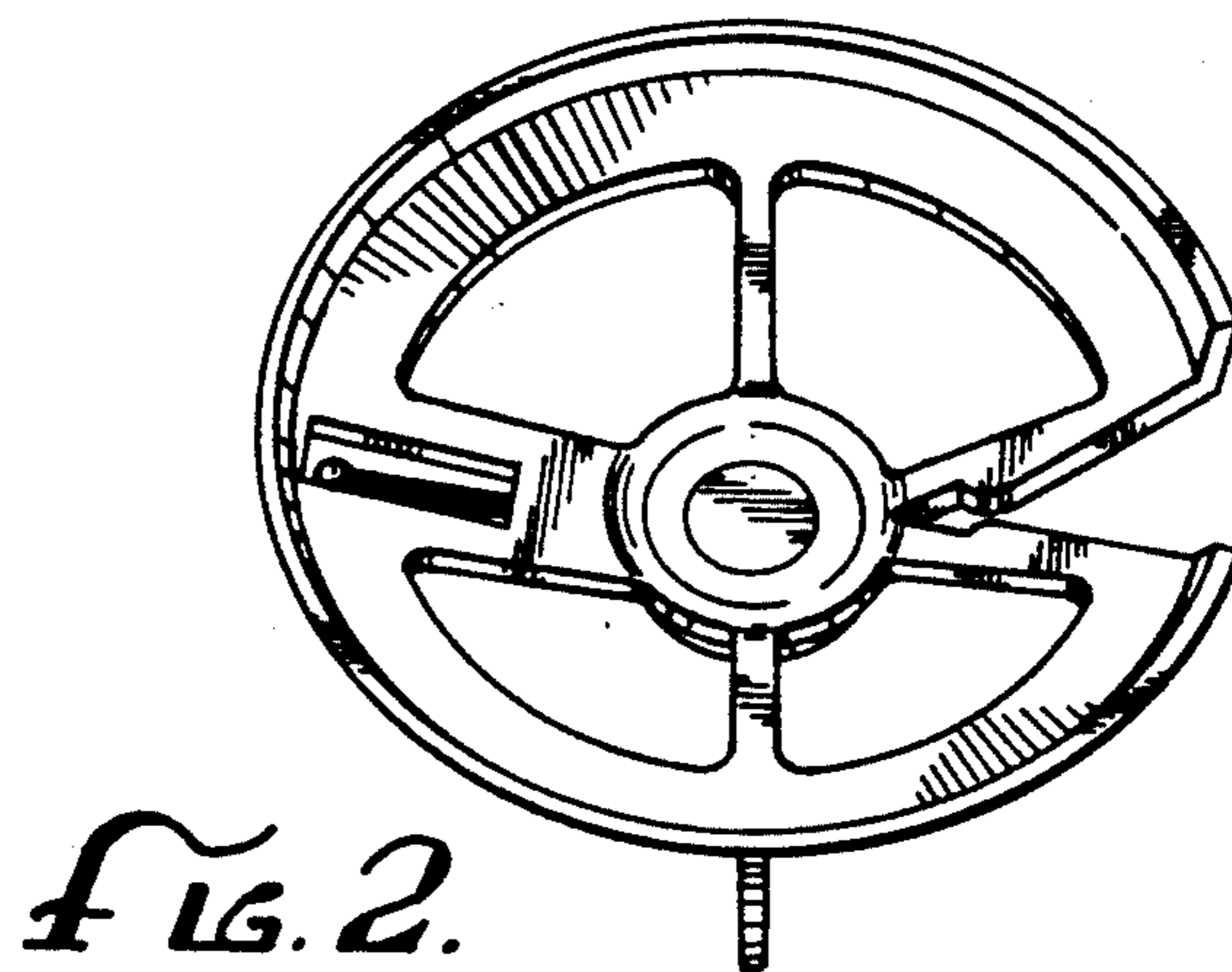


FIG. 2.

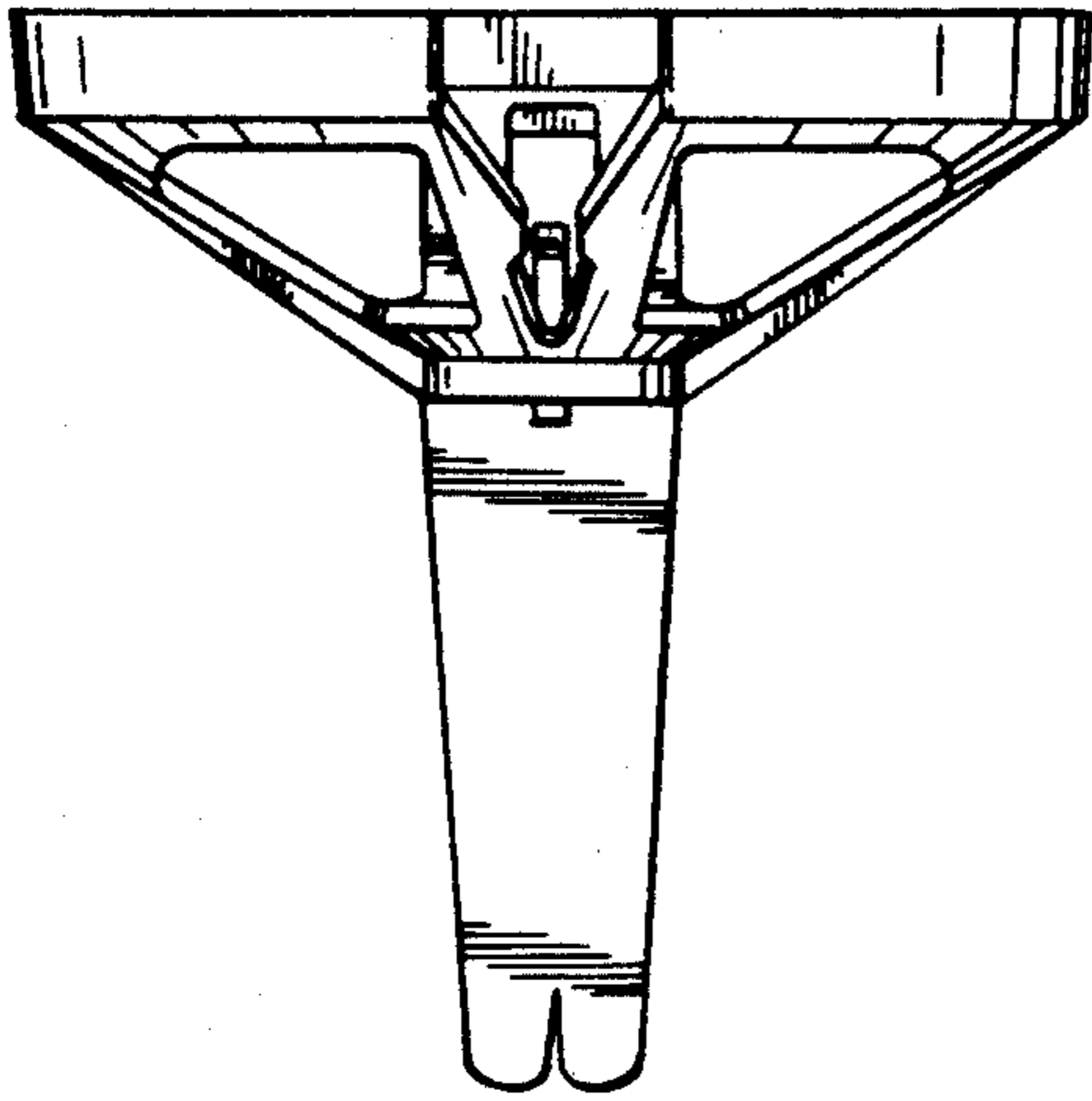


FIG. 5.

FIG. 6.

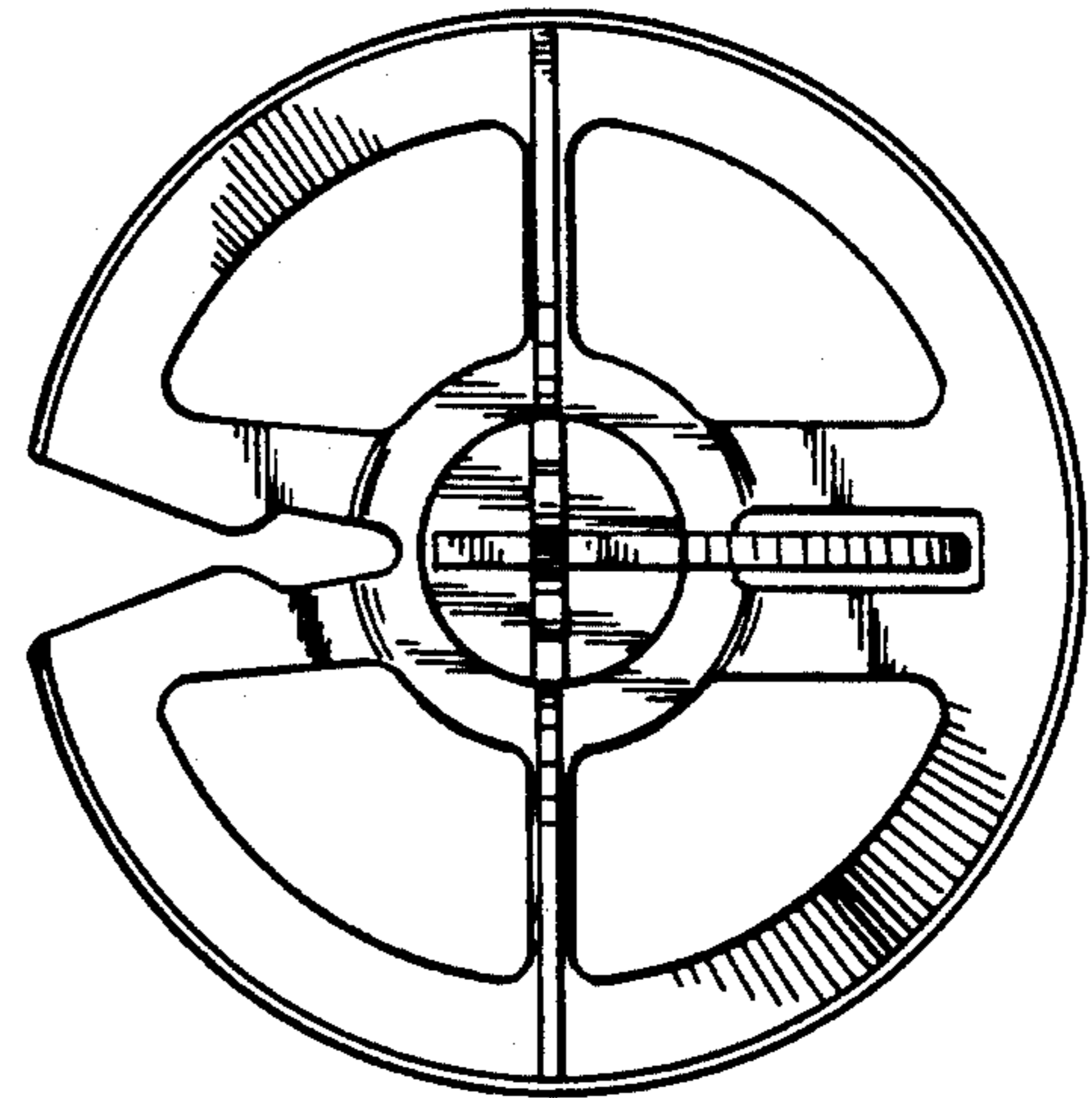
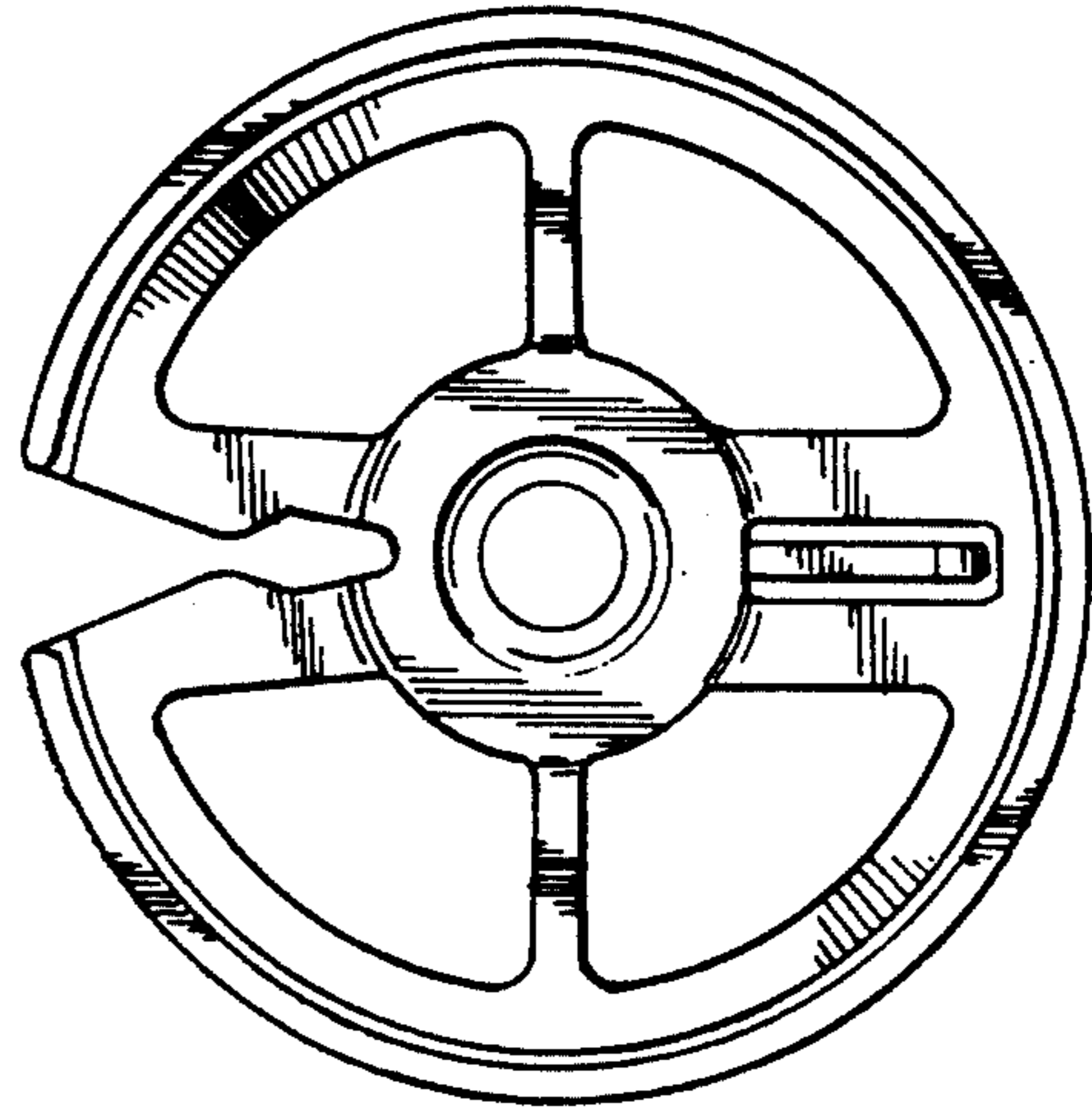


FIG. 7.